



US00D334823S

United States Patent [19]

[11] Patent Number: **Des. 334,823**

Meck et al.

[45] Date of Patent: **** Apr. 13, 1993**

[54] FLOOR LAMP

[75] Inventors: **Leslie A. Meck**, Blandon; **N. Peter Pettersson**, Bernville; **John Lehn**, Reading; **Michael J. Becker**, Lansdale, all of Pa.

[73] Assignee: **Baldwin Hardware Corporation**, Reading, Pa.

[**] Term: **14 Years**

[21] Appl. No.: **710,292**

[22] Filed: **Jun. 4, 1991**

[52] U.S. Cl. **D26/110**

[58] Field of Search **D26/93, 102-112, 362/410-414**

[56] **References Cited**

U.S. PATENT DOCUMENTS

D. 986.611 2/1936 Perlmutter D26/102

OTHER PUBLICATIONS

Crest "Lamps of Distinction" Catalog, 1950, p. 54, Floor Lamp #51148.

Home Lighting & Accessories, 10-1989, p. 56. Lamp Shades.

Baldwin Lighting Brochures-No. 7614-030-SIM.

Baldwin Lighting Brochures-No. 7614-030-HBP.

Baldwin Lighting Brochures-No. 7658-030-HBS.
Baldwin Lighting Brochures-No. 7658-030-SWM.

Primary Examiner—Susan J. Lucas
Attorney, Agent, or Firm—Myron B. Kapustij; Malcolm L. Sutherland

[57] **CLAIM**

The ornamental design for a floor lamp, as shown and described.

DESCRIPTION

FIG. 1 is a perspective view of a floor lamp showing our new design;

FIG. 2 is a perspective view of a second embodiment of our new design, all sides being identical, the second embodiment differing from the first only in the shade;

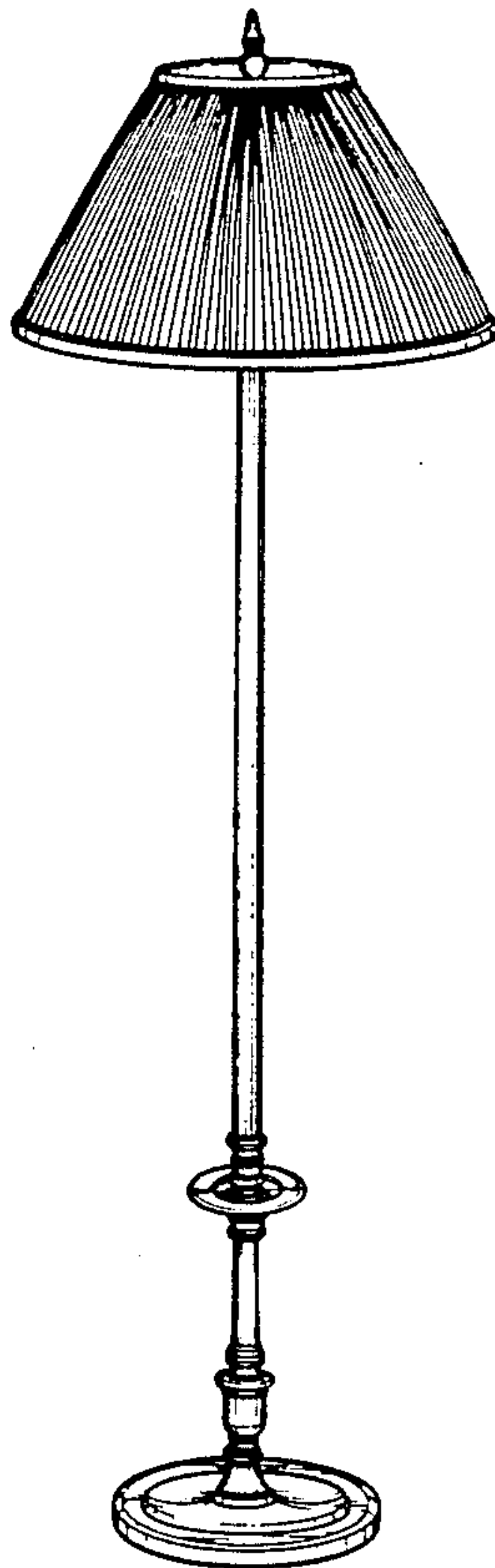
FIG. 3 is a side elevational view of the first embodiment as shown in FIG. 1;

FIG. 4 is a top plan view thereof;

FIG. 5 is an enlarged, fragmentary side elevational view of the section of the standard shown within circle 5 in FIG. 3;

FIG. 6 is an enlarged, fragmentary side elevational view of the base of the standard shown within circle 6 in FIG. 3; and,

FIG. 7 is a perspective view of a third embodiment of our new design, all sides being identical, the third embodiment differing from the first embodiment only in the shade.



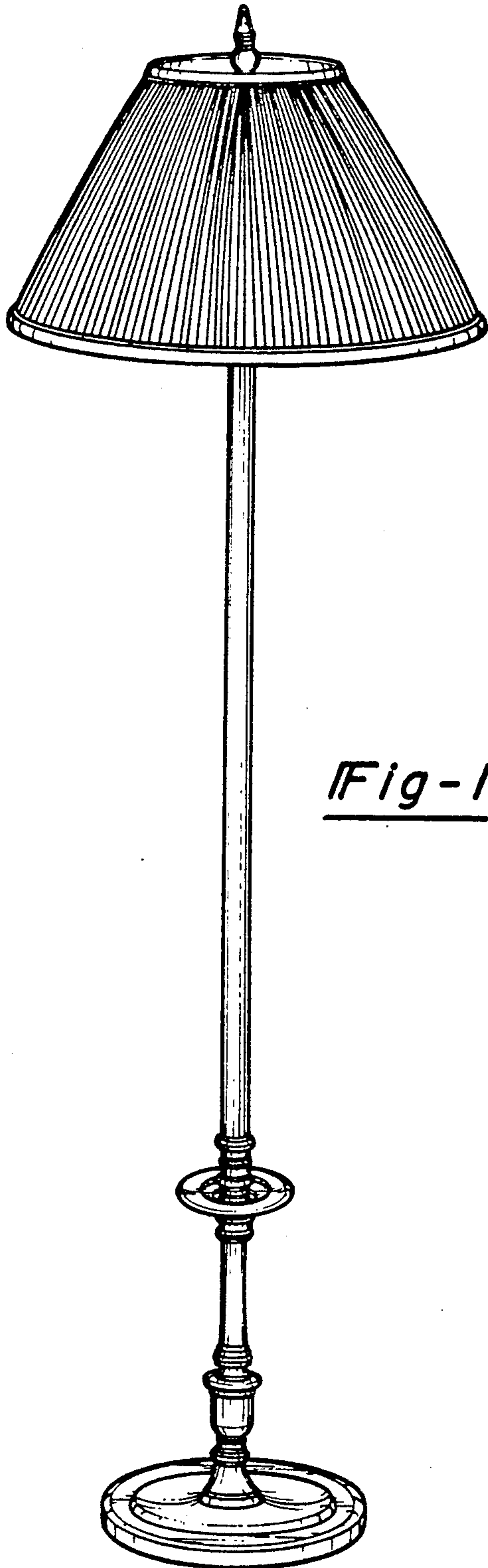


Fig-1

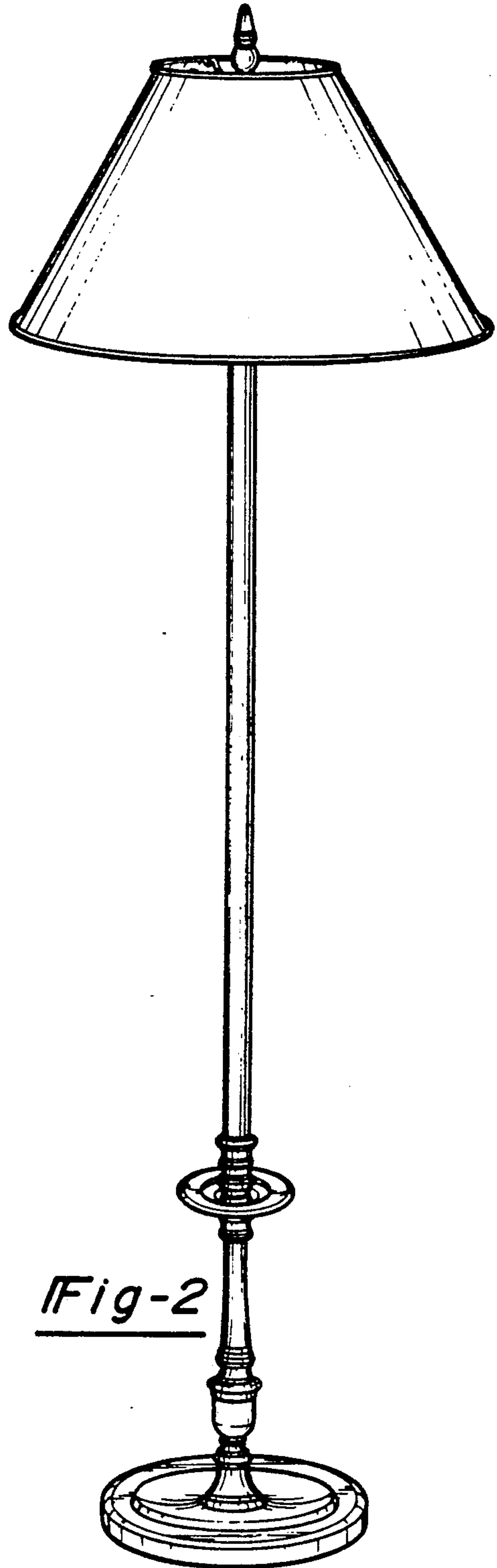


Fig-2

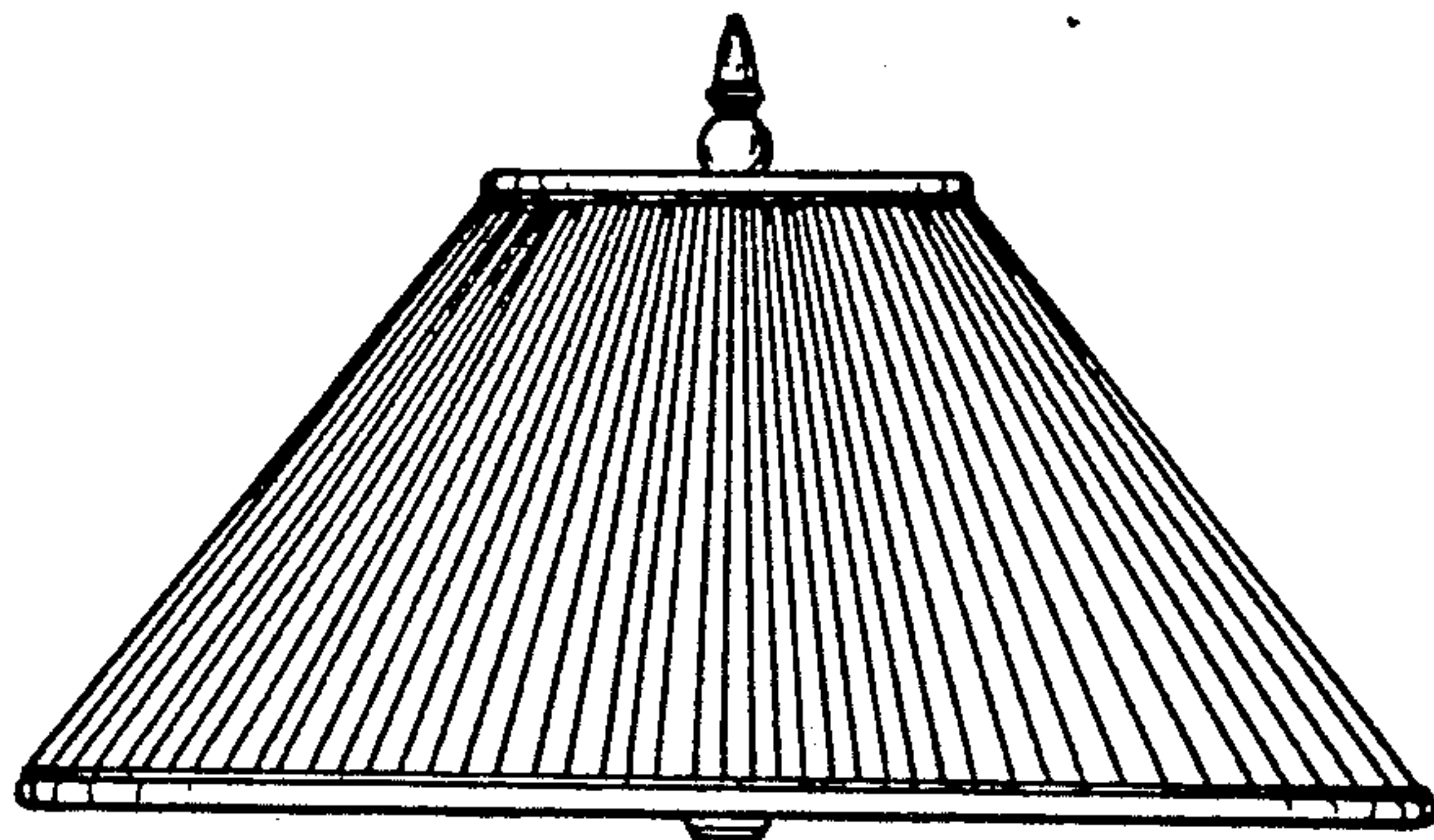


Fig-3

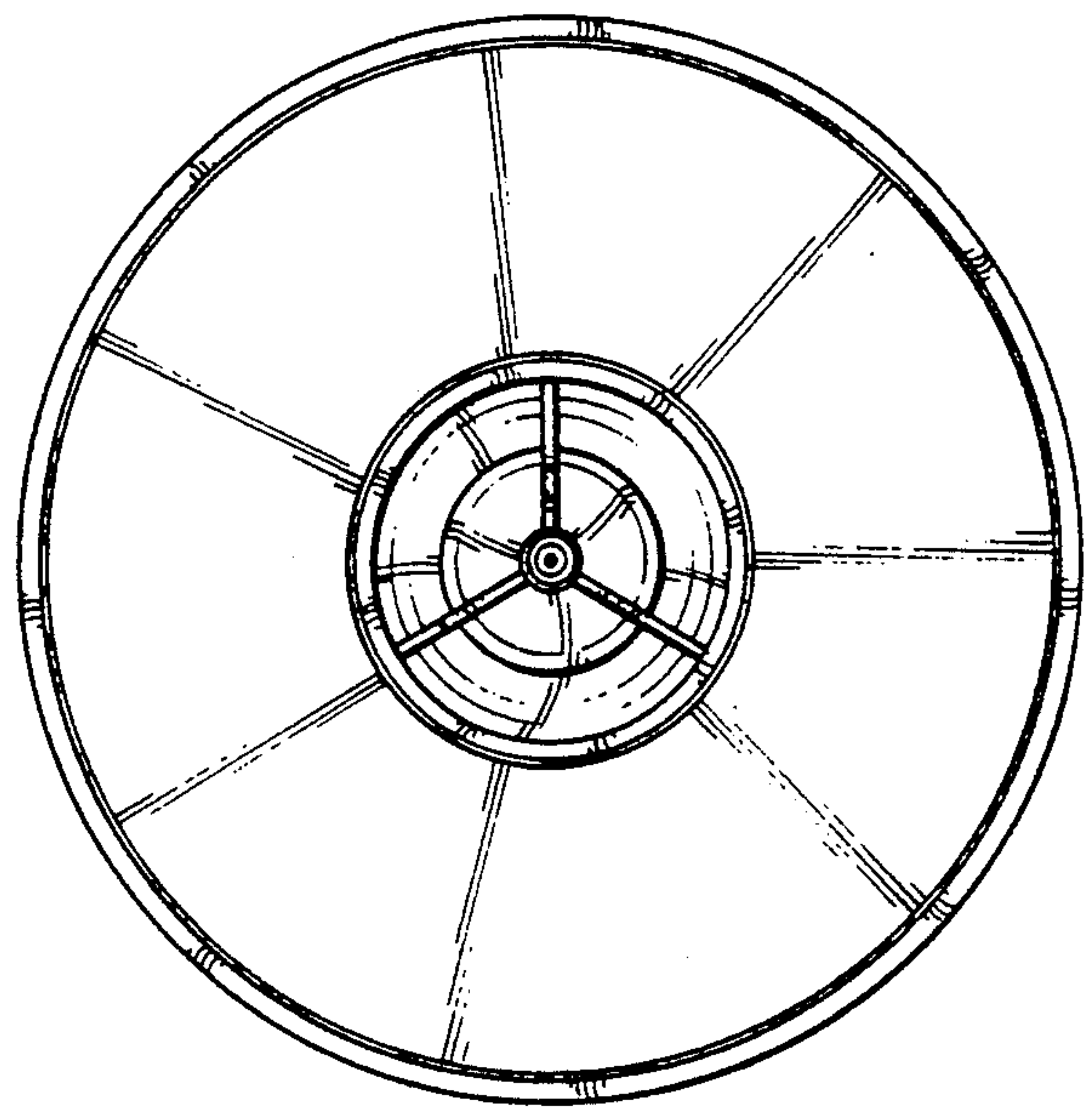
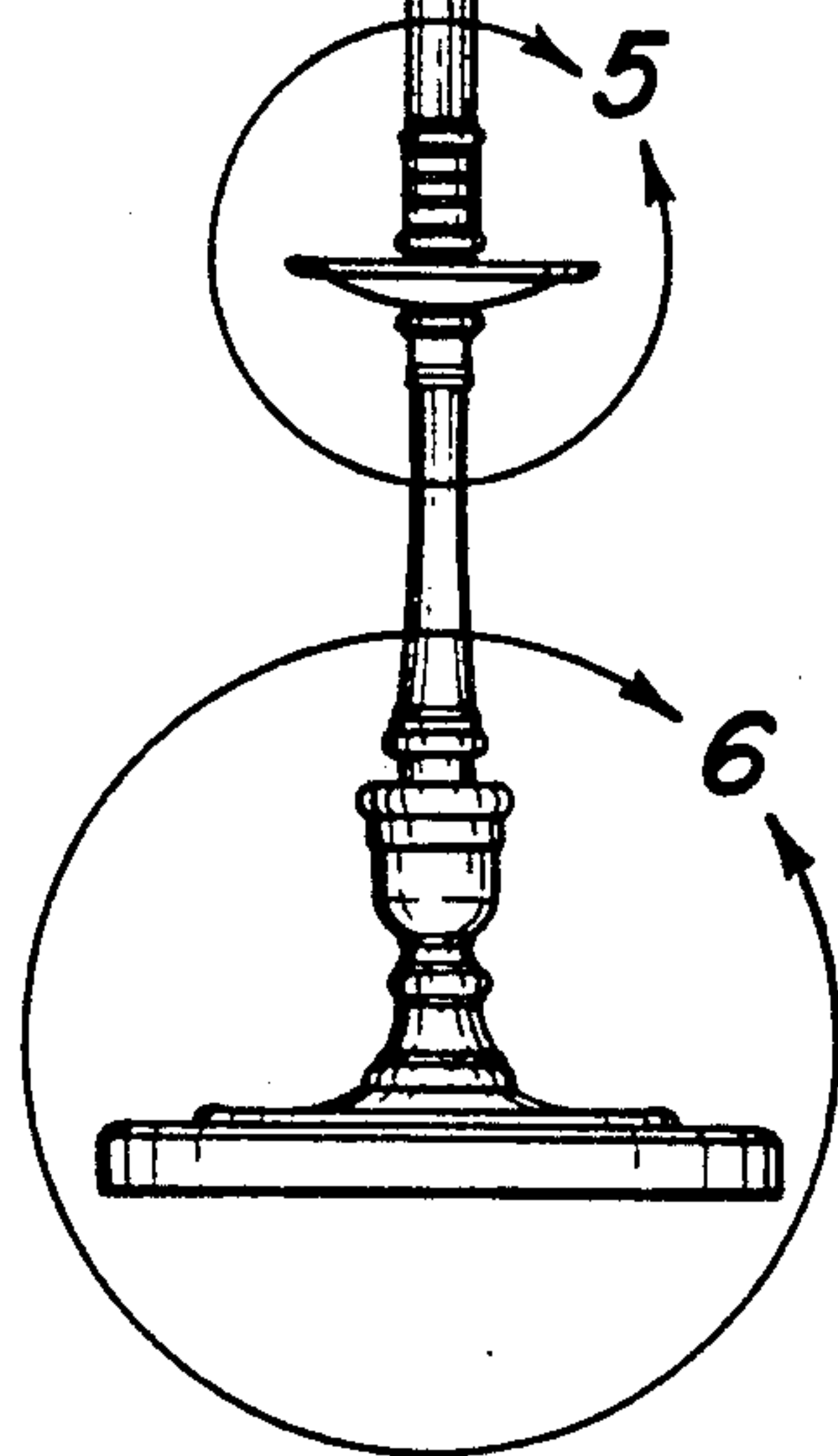


Fig-4



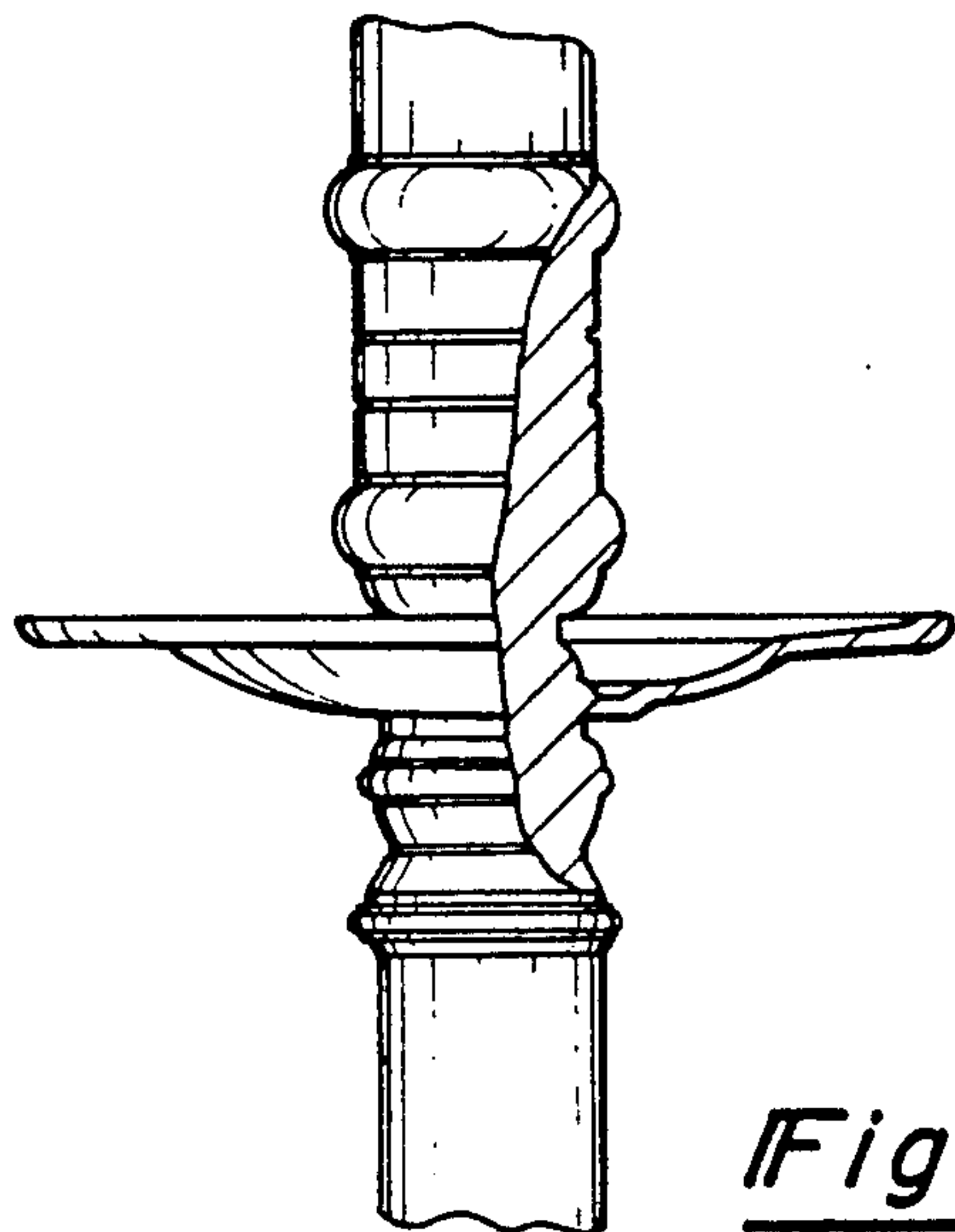


Fig-5

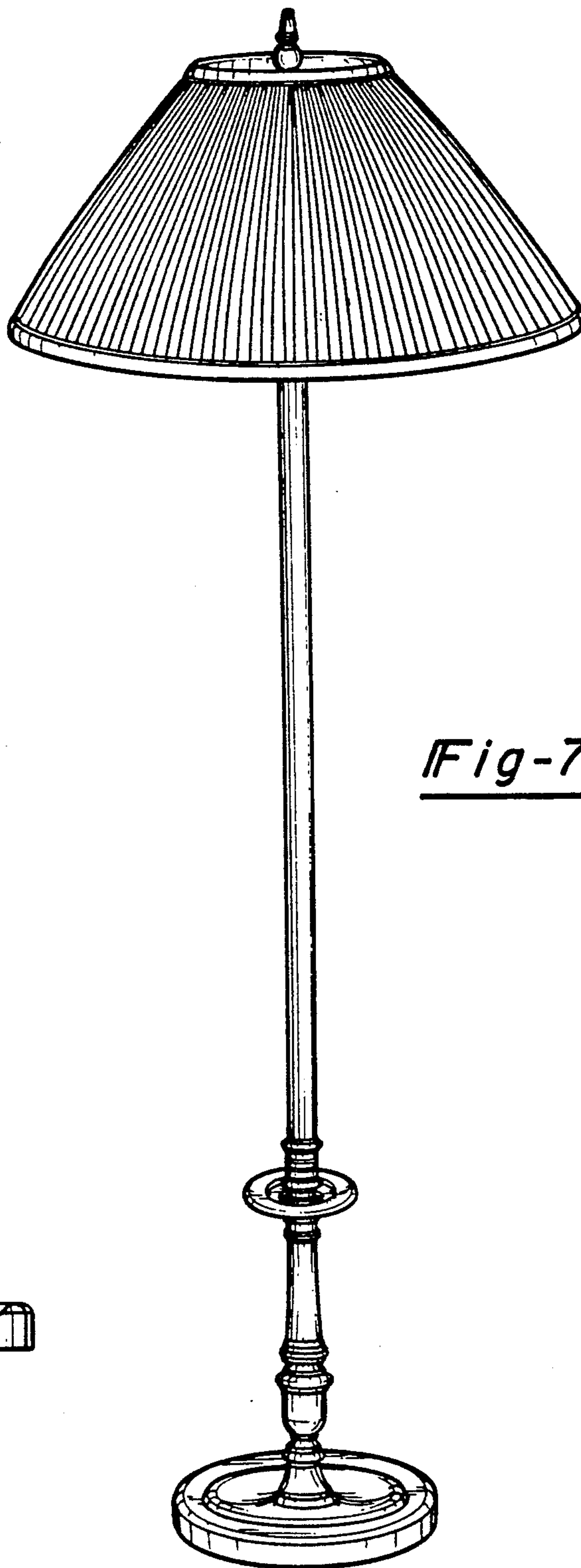


Fig-7

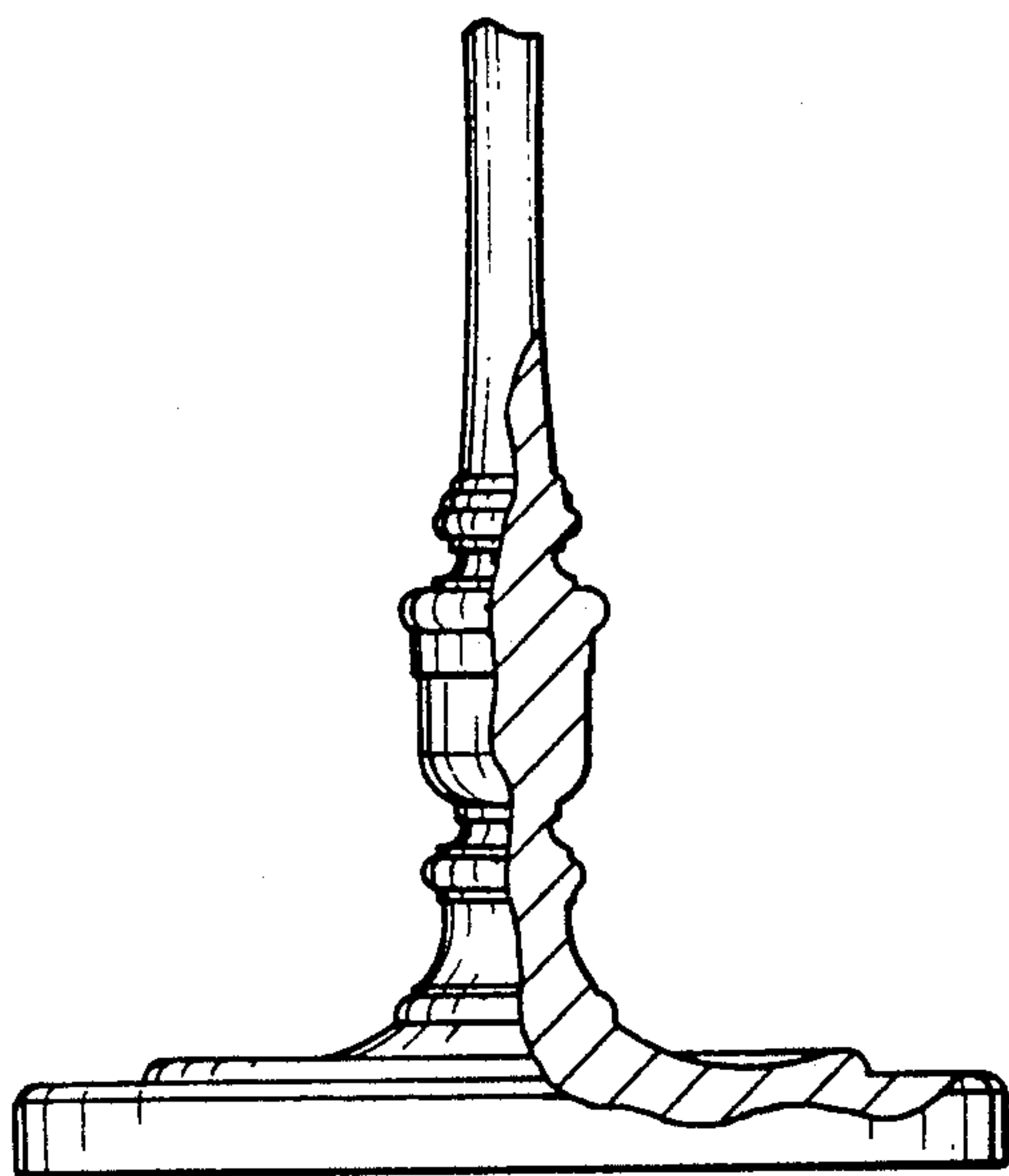


Fig-6