



US00D334822S

United States Patent [19]

[11] Patent Number: **Des. 334,822**

Antognazza

[45] Date of Patent: **** Apr. 13, 1993**

[54] **FLASHLIGHT**

[75] Inventor: **Luciano Antognazza, Venegono Superiore, Italy**

[73] Assignee: **VELAMP S.p.A., Venegono, Italy**

[**] Term: **14 Years**

[21] Appl. No.: **707,006**

[22] Filed: **May 29, 1991**

[30] **Foreign Application Priority Data**

Jan. 3, 1991 [IB] Int'l Pat. Institute DM/018492

[52] U.S. Cl. **D26/46**

[58] Field of Search **D26/37-50;**
362/157, 158, 183-191, 194-202, 205

[56] **References Cited**

U.S. PATENT DOCUMENTS

- D. 285,356 8/1986 Schosser et al. D26/49
- D. 308,257 5/1990 Staubitz et al. D26/49
- D. 314,634 2/1991 Fenne D26/46
- D. 315,609 3/1991 Garrity D26/49

Primary Examiner—Susan J. Lucas
Attorney, Agent, or Firm—Young & Thompson

[57] **CLAIM**

The ornamental design for a flashlight, as shown and described.

DESCRIPTION

FIG. 1 is a front, top and side perspective view of a flashlight showing my new design;
 FIG. 2 is a side elevational view thereof, the side opposite that shown in FIG. 2 being the mirror image thereof;
 FIG. 3 is a top plan view thereof;
 FIG. 4 is a bottom plan view thereof;
 FIG. 5 is a front end elevational view thereof;
 FIG. 6 is a rear end elevational view thereof;
 FIG. 7 is a fragmentary side elevational view thereof with the rear hanger pivoted to an alternate position;
 FIG. 8 is an enlarged fragmentary cross sectional view taken on the line 8—8 of FIG. 4; and,
 FIG. 9 is a fragmentary bottom, rear and side perspective view thereof.

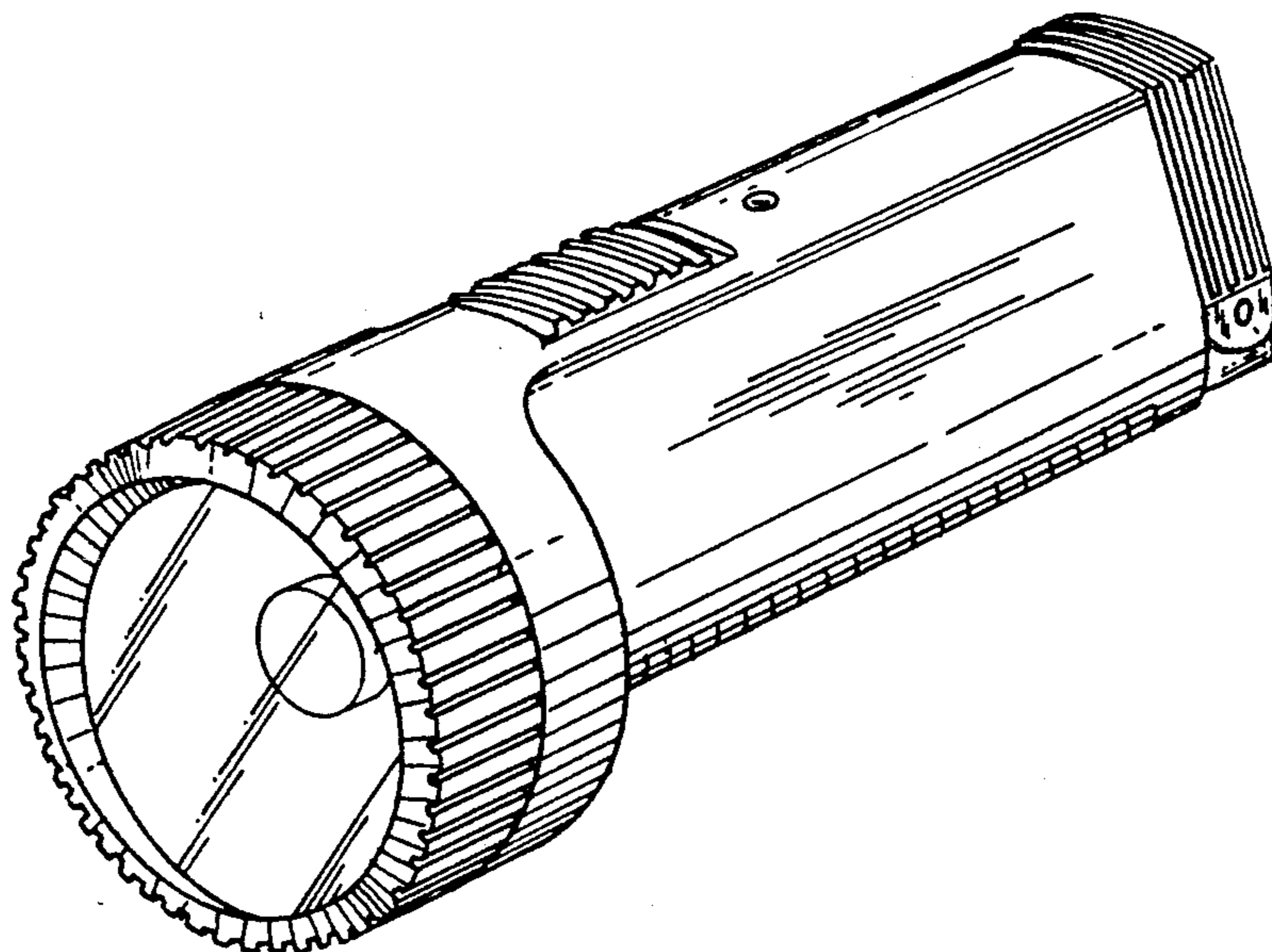


FIG. 1

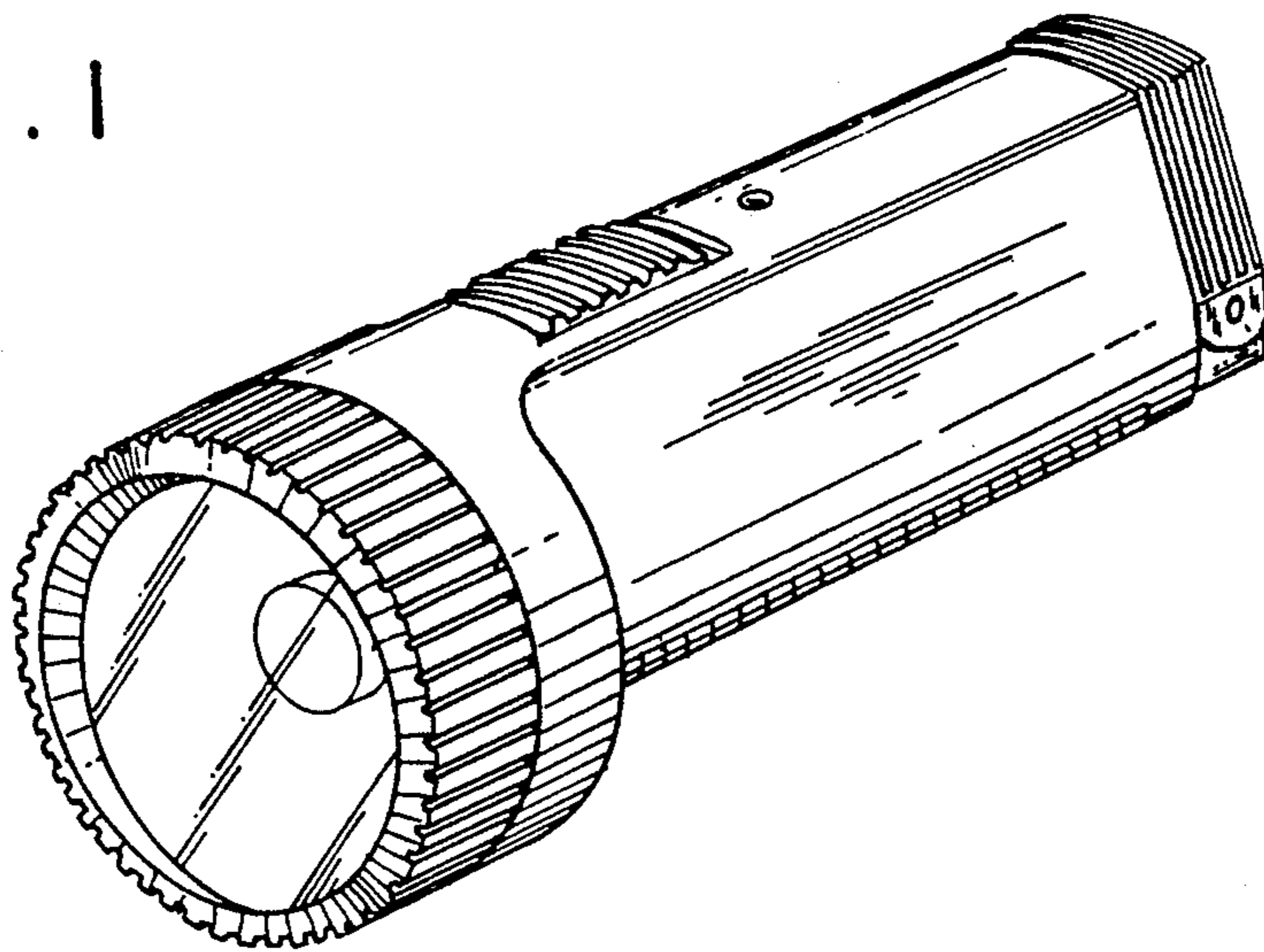


FIG. 5

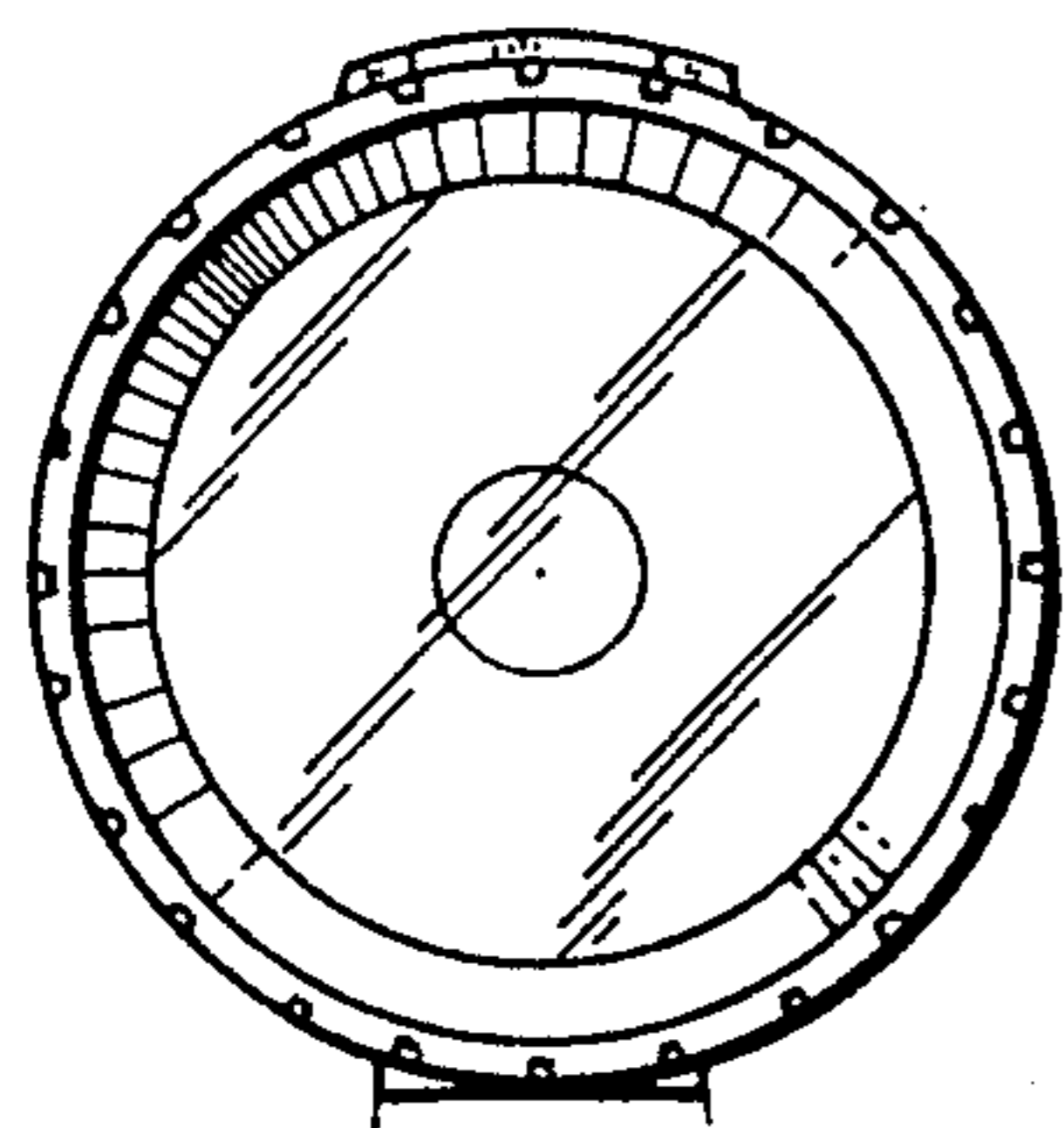


FIG. 6

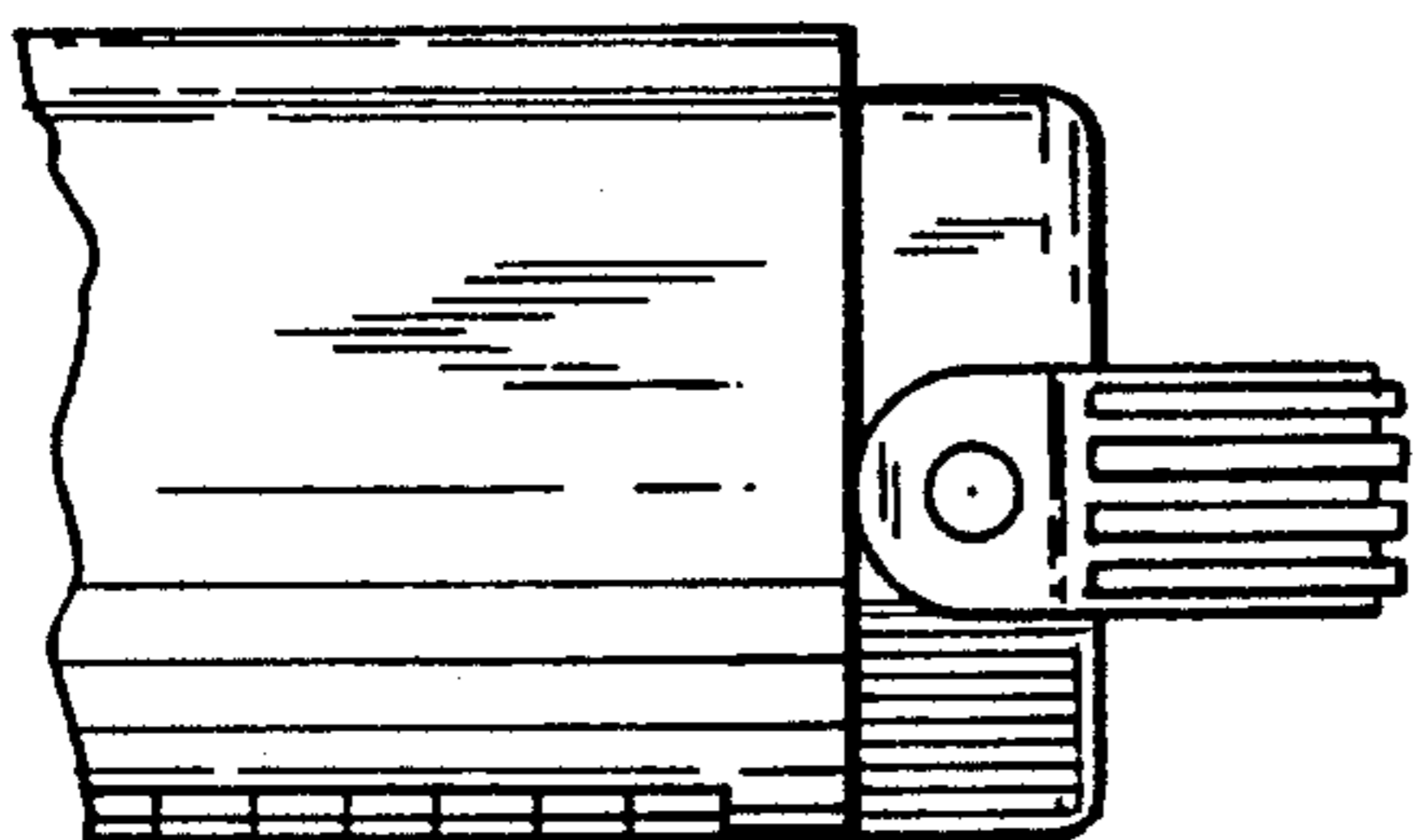
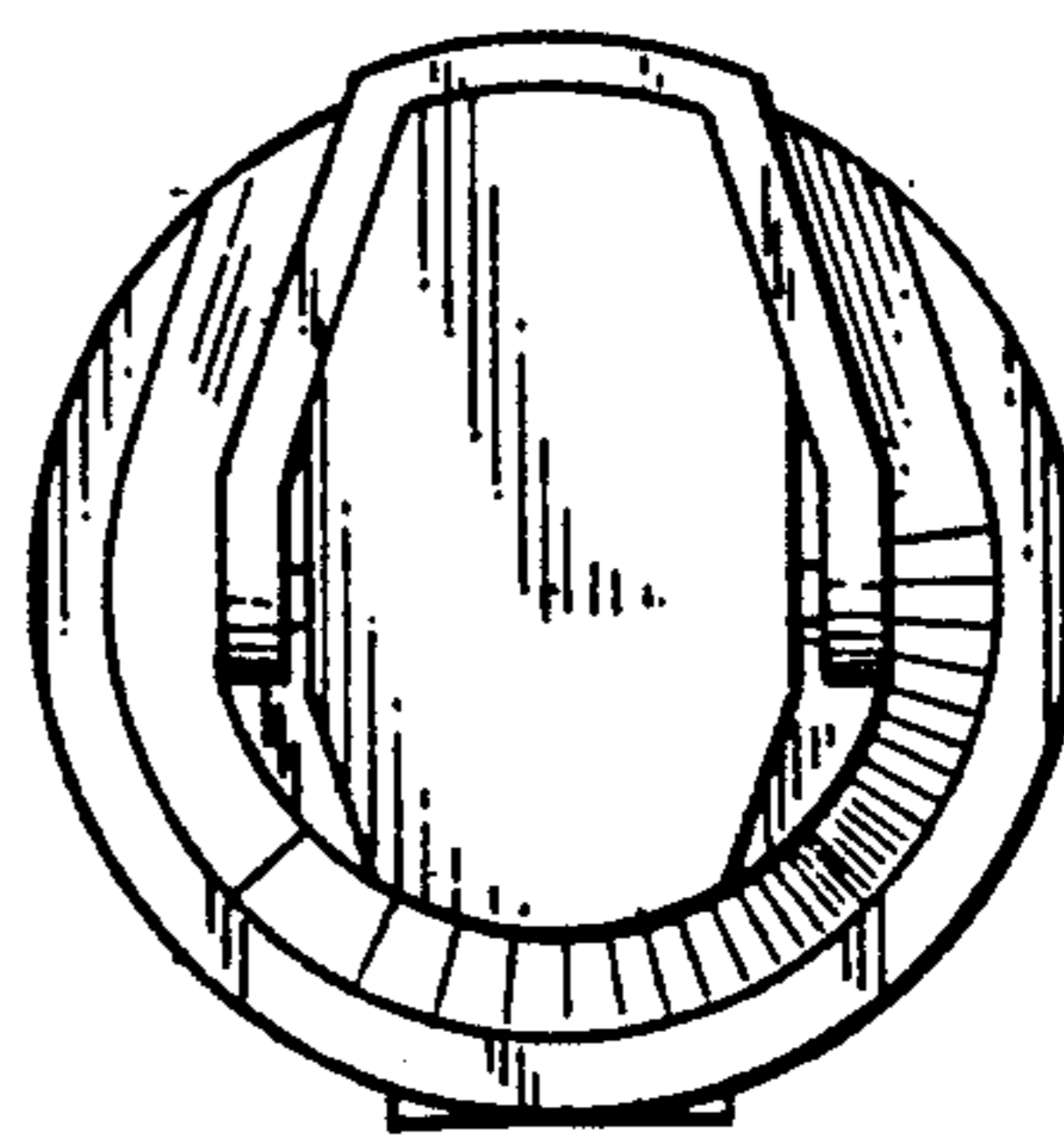


FIG. 7

FIG. 2

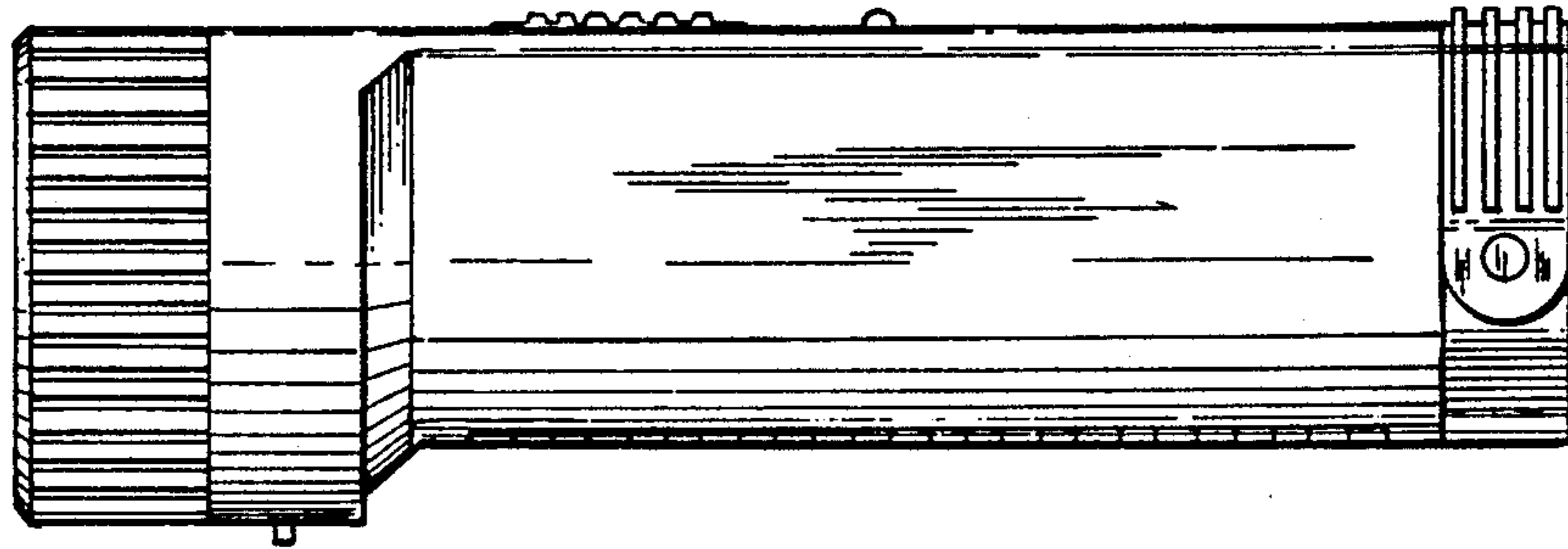


FIG. 3

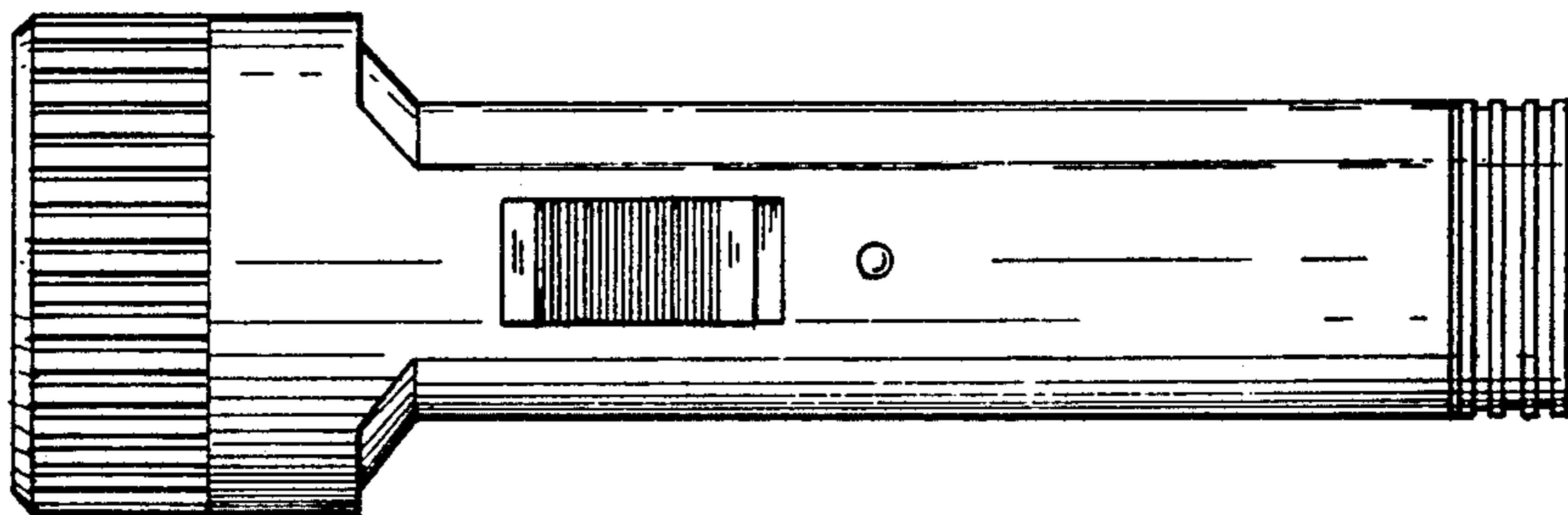


FIG. 4

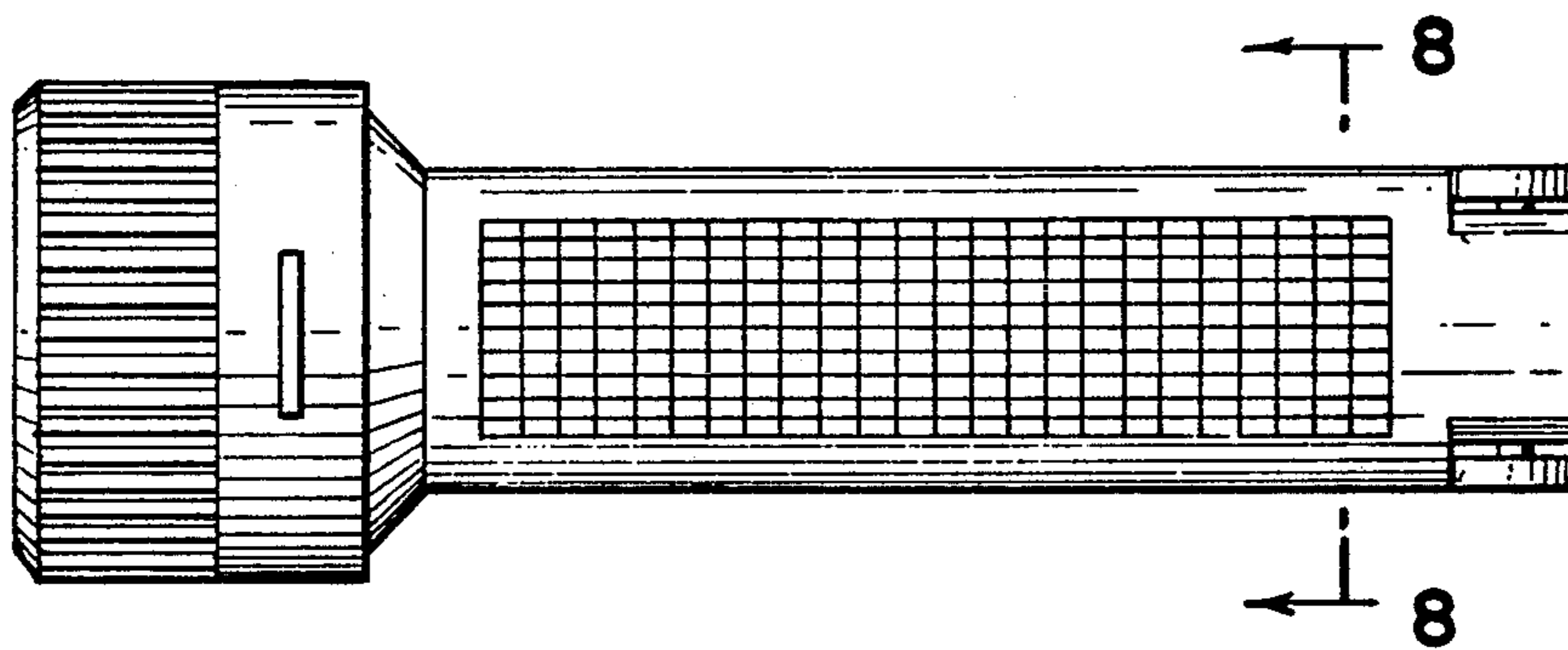


FIG. 8

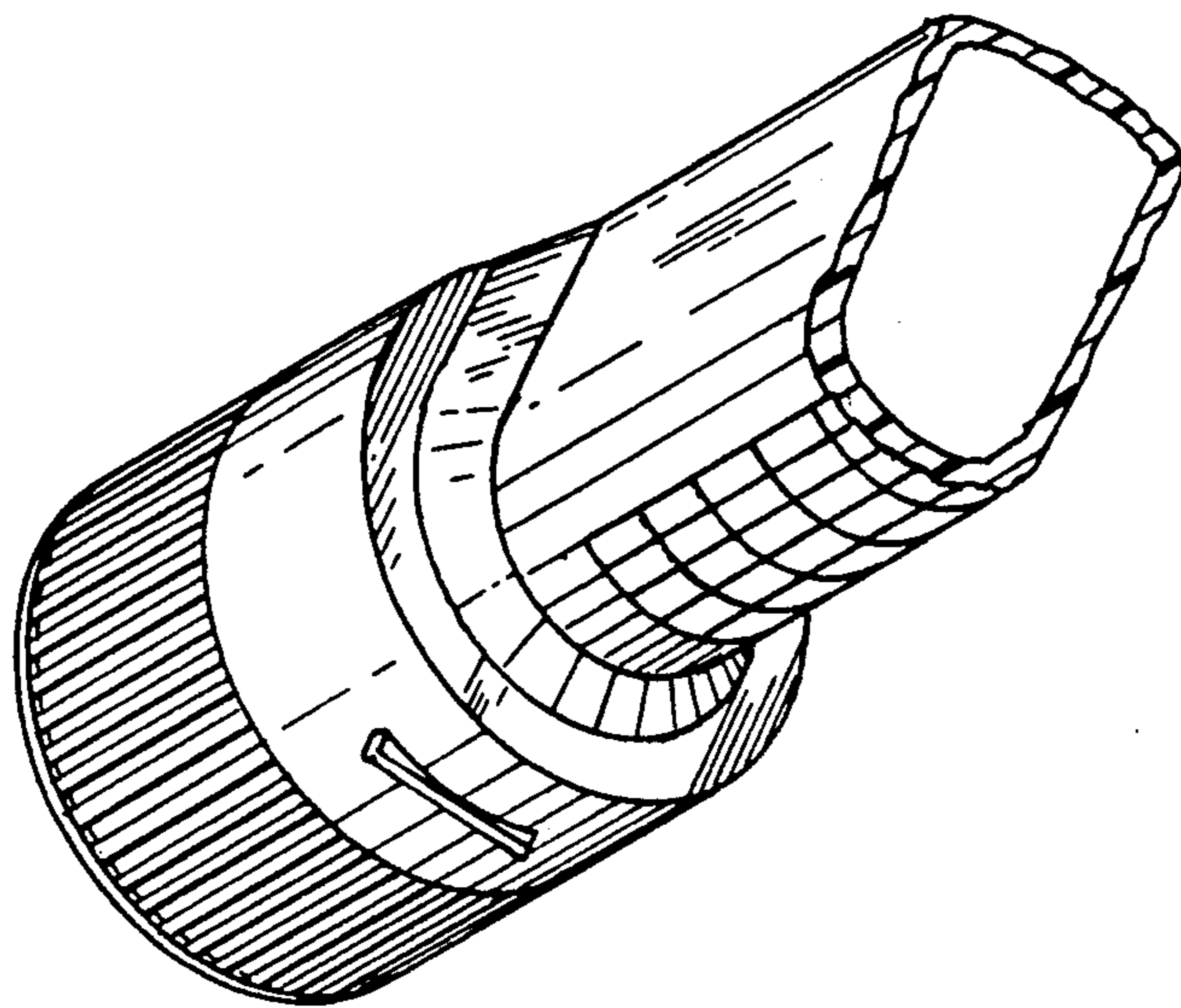


FIG. 9