



US00D334820S

United States Patent [19]

[11] Patent Number: **Des. 334,820**

Lee

[45] Date of Patent: **** Apr. 13, 1993**

[54] **AUXILARY VEHICLE EMERGENCY LIGHT**

75017 8/1987 Rep. of Korea .
75018 8/1987 Rep. of Korea .
75019 8/1987 Rep. of Korea .

[76] Inventor: **Kyung C. Lee, 256-7,
Seongsan-Dong, Mapo-Ku Seoul,
Rep. of Korea**

[**] Term: **14 Years**

[21] Appl. No.: **421,732**

[22] Filed: **Oct. 16, 1989**

[30] **Foreign Application Priority Data**

Apr. 15, 1988 [KR] Rep. of Korea 4855

[52] U.S. Cl. **D26/28**

[58] Field of Search **D26/28-36;
362/61, 80, 80.1, 83, 83.3; 340/463, 464, 466,
468-475**

[56] **References Cited**

U.S. PATENT DOCUMENTS

D. 297,769 9/1988 Mann D26/29
D. 304,504 11/1989 Chen D26/28
4,575,782 3/1986 Levine et al. 362/61
4,626,967 12/1986 Segoshi 362/61

FOREIGN PATENT DOCUMENTS

75016 8/1987 Rep. of Korea .

OTHER PUBLICATIONS

Advertisement "Eye-Stopper" safety brake light.

Primary Examiner—Susan J. Lucas

[57] **CLAIM**

The ornamental design for an auxiliary vehicle emergency light, as shown and described.

DESCRIPTION

FIG. 1 is a top, front perspective view of an auxiliary vehicle emergency light showing my new design;
FIG. 2 is a perspective view thereof on a reduced scale, a vehicle being shown in broken lines for illustrative purposes only;
FIG. 3 is a top plan view thereof;
FIG. 4 is a front elevational view thereof;
FIG. 5 is a bottom plan view thereof;
FIG. 6 is a rear elevational view thereof;
FIG. 7 is a right side elevational view thereof, the opposite side being a mirror image; and,
FIG. 8 is a cross-sectional view thereof as taken along line 8—8 of FIG. 4.

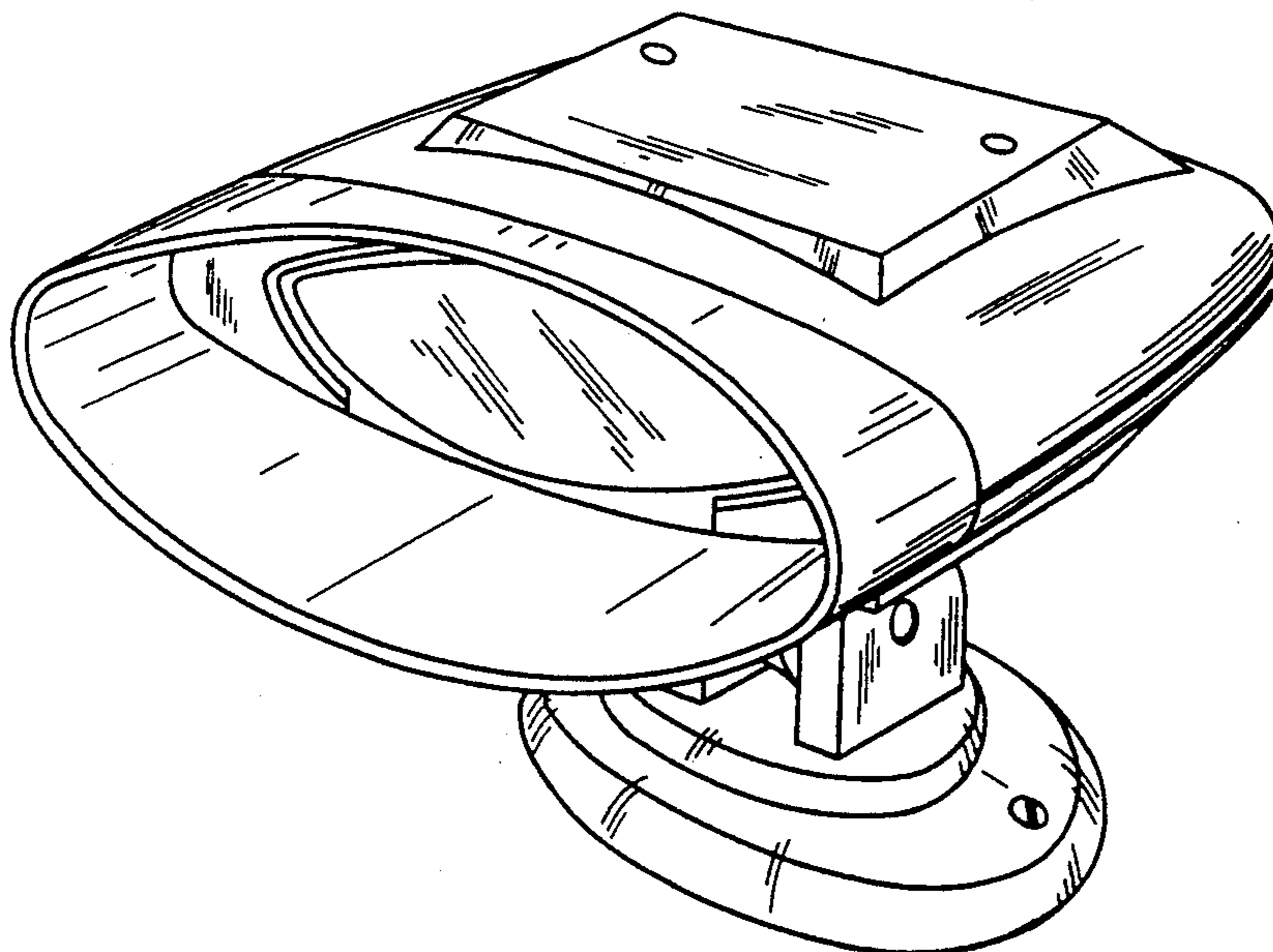


Fig.1

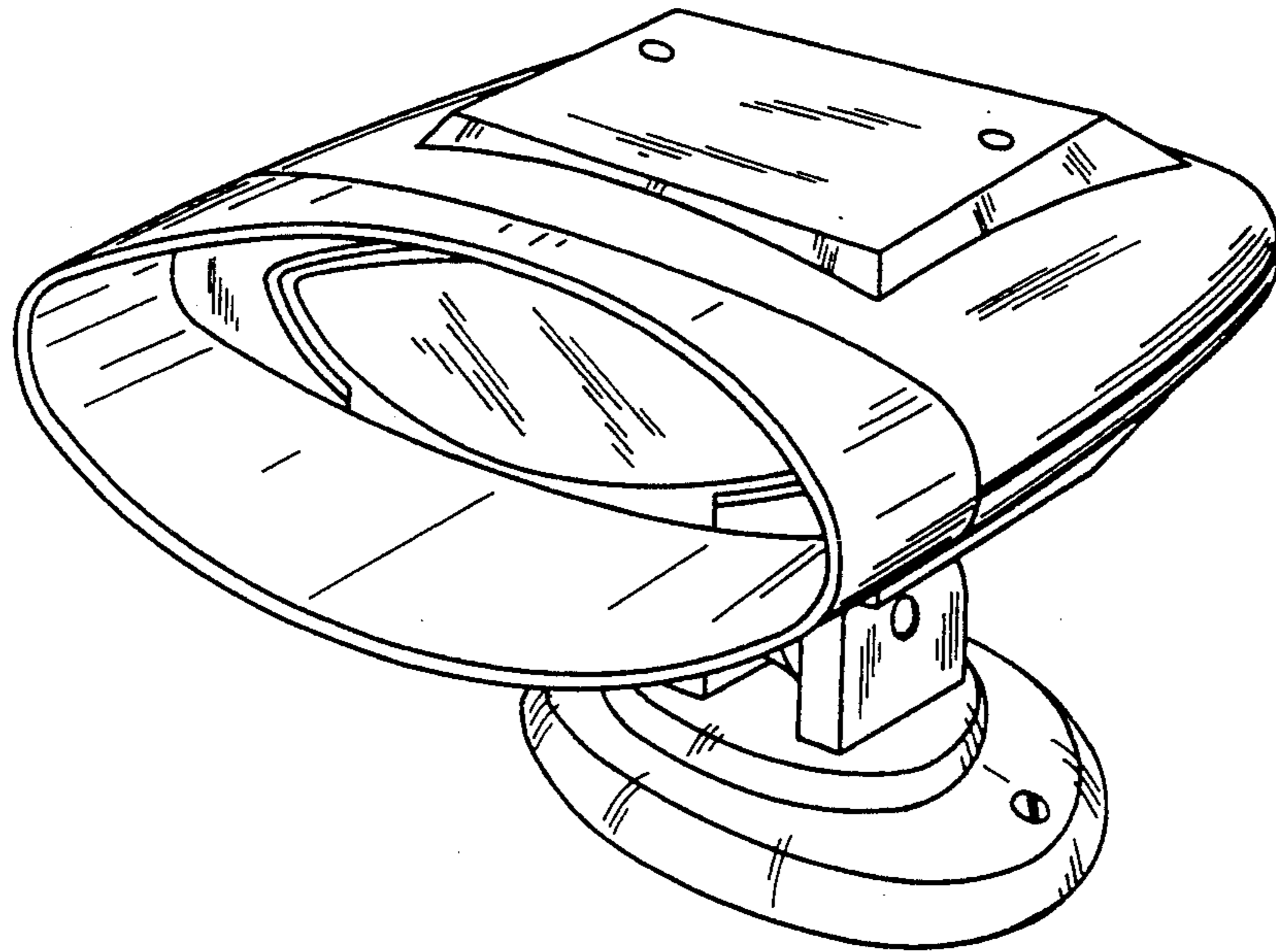


Fig.2

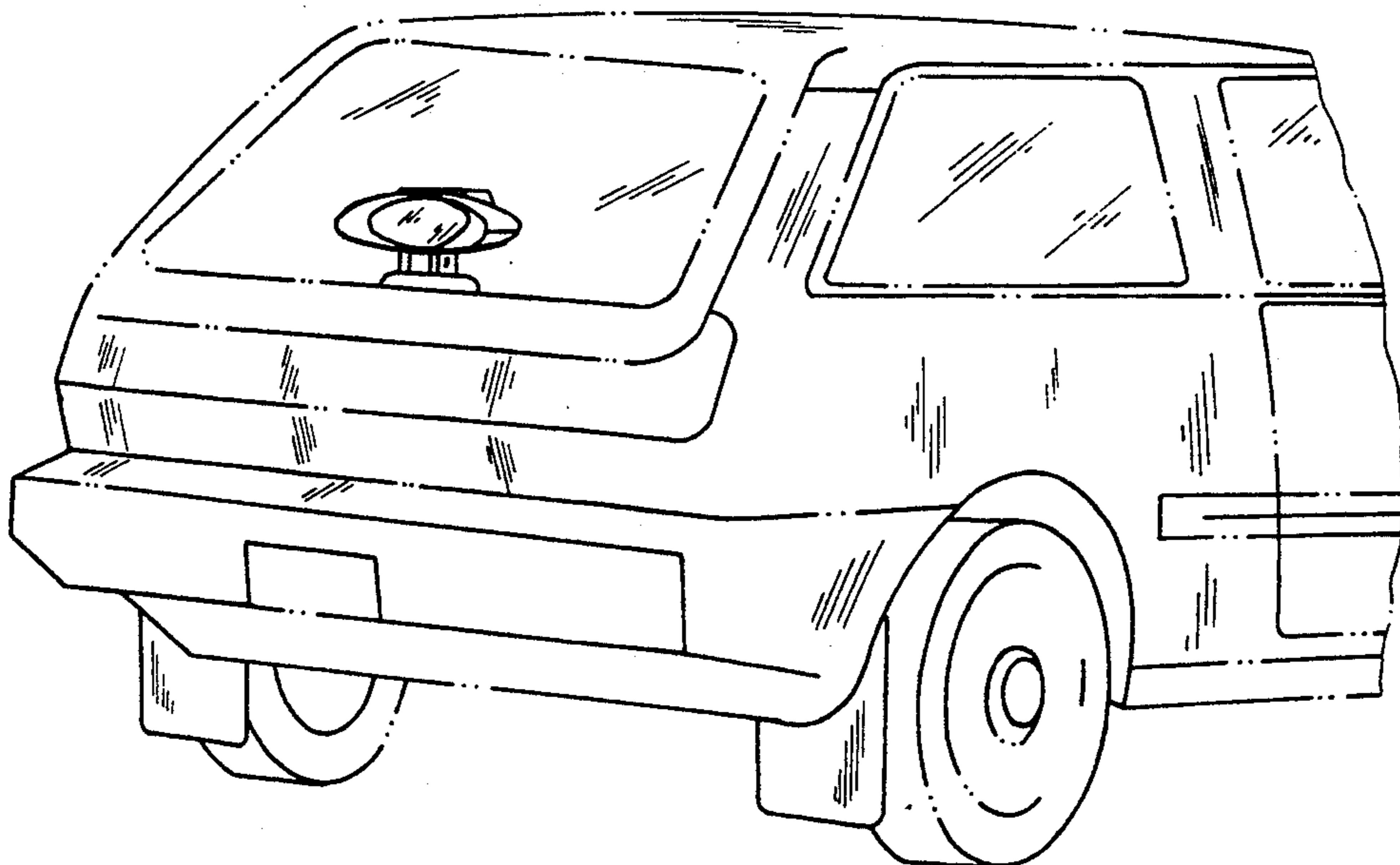


Fig.3

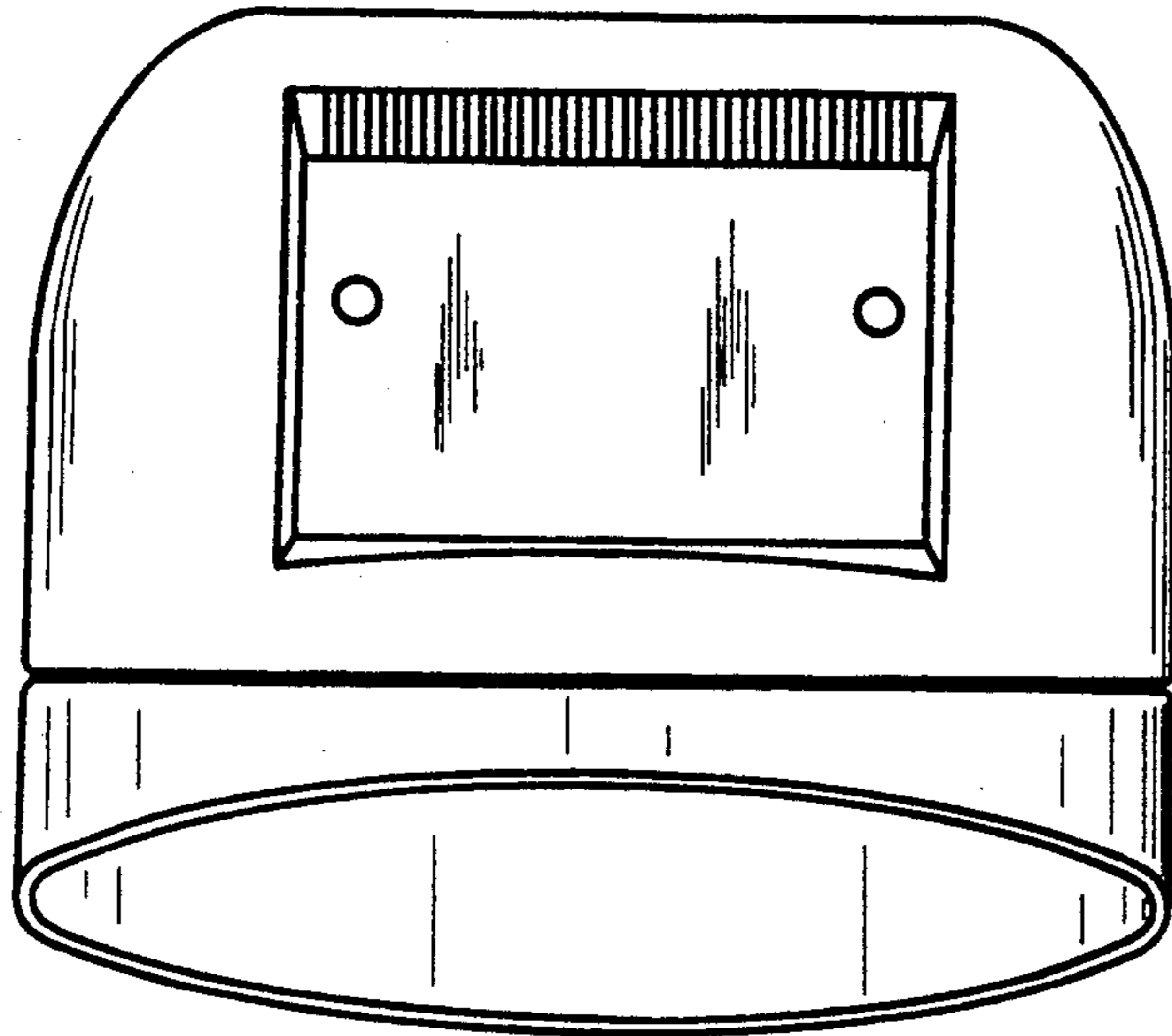


Fig.4

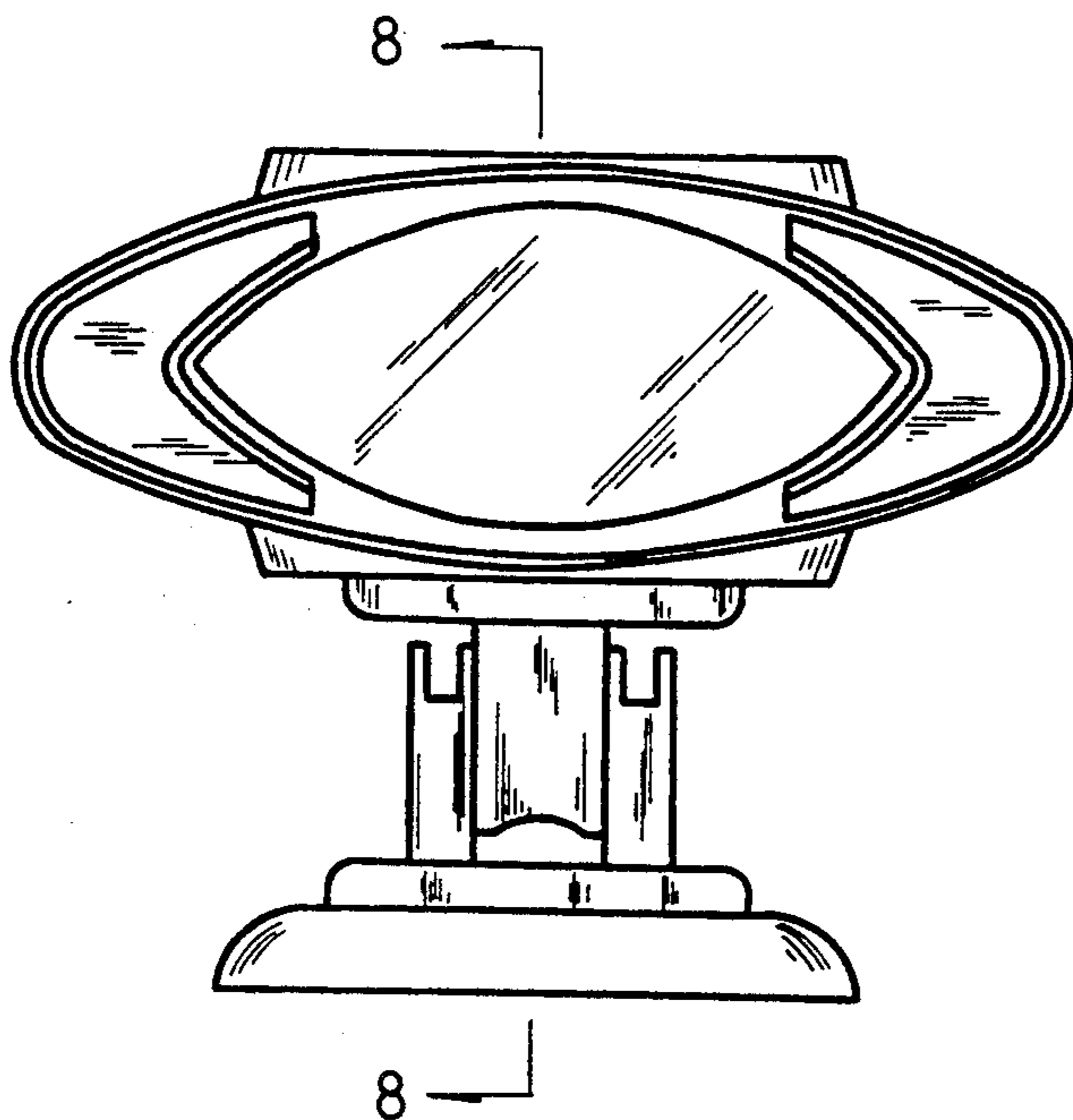


Fig. 5

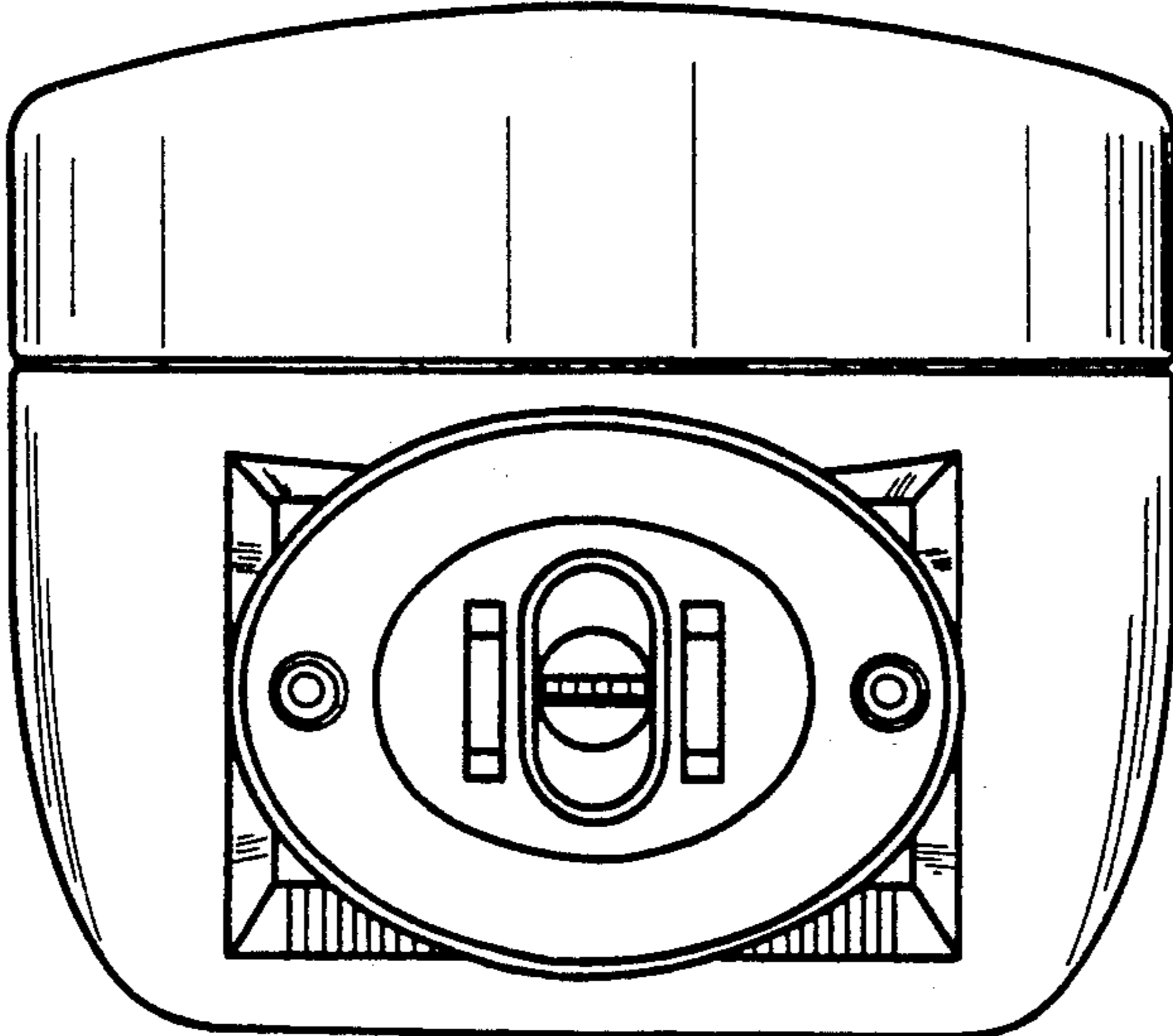


Fig. 6

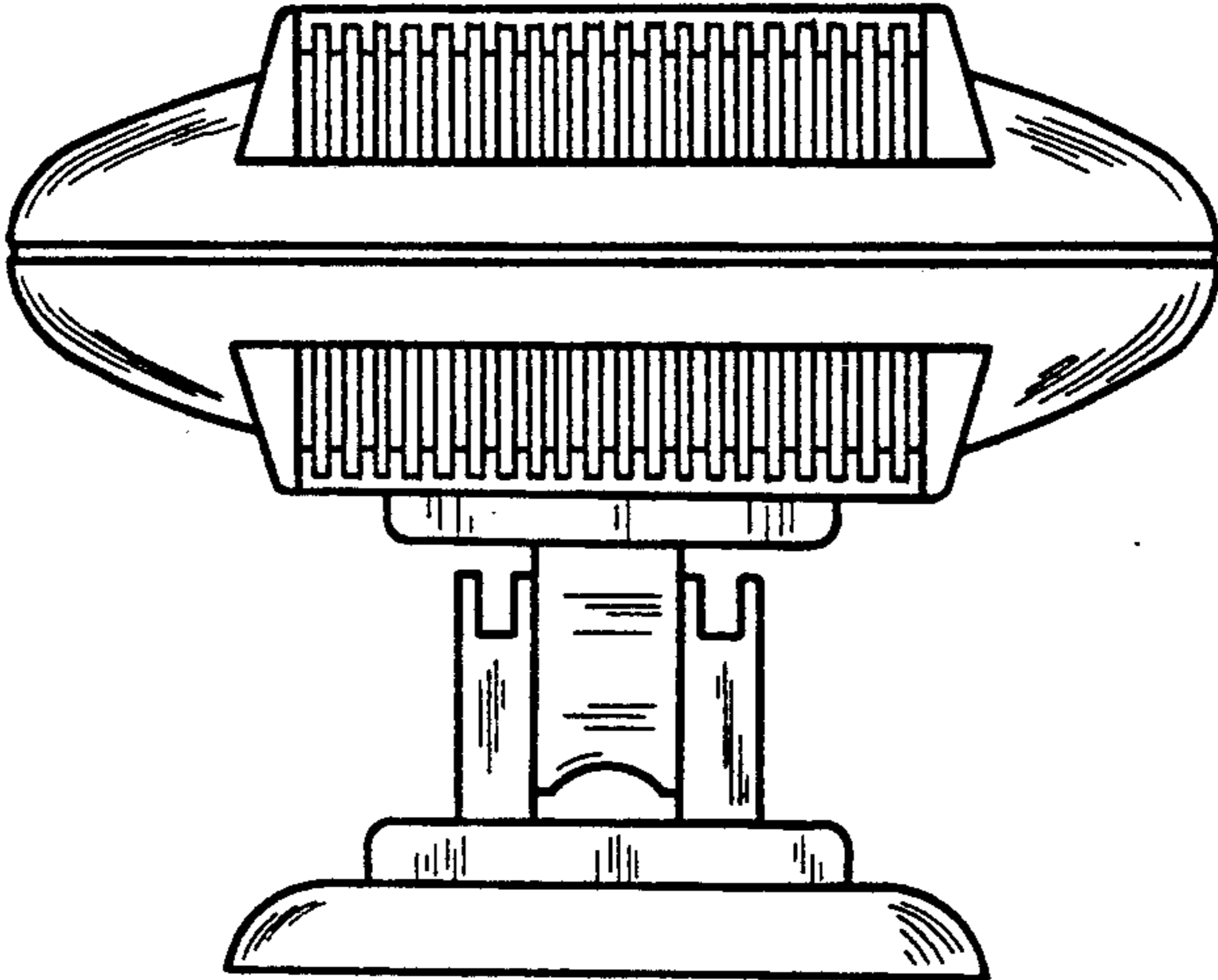


Fig.7

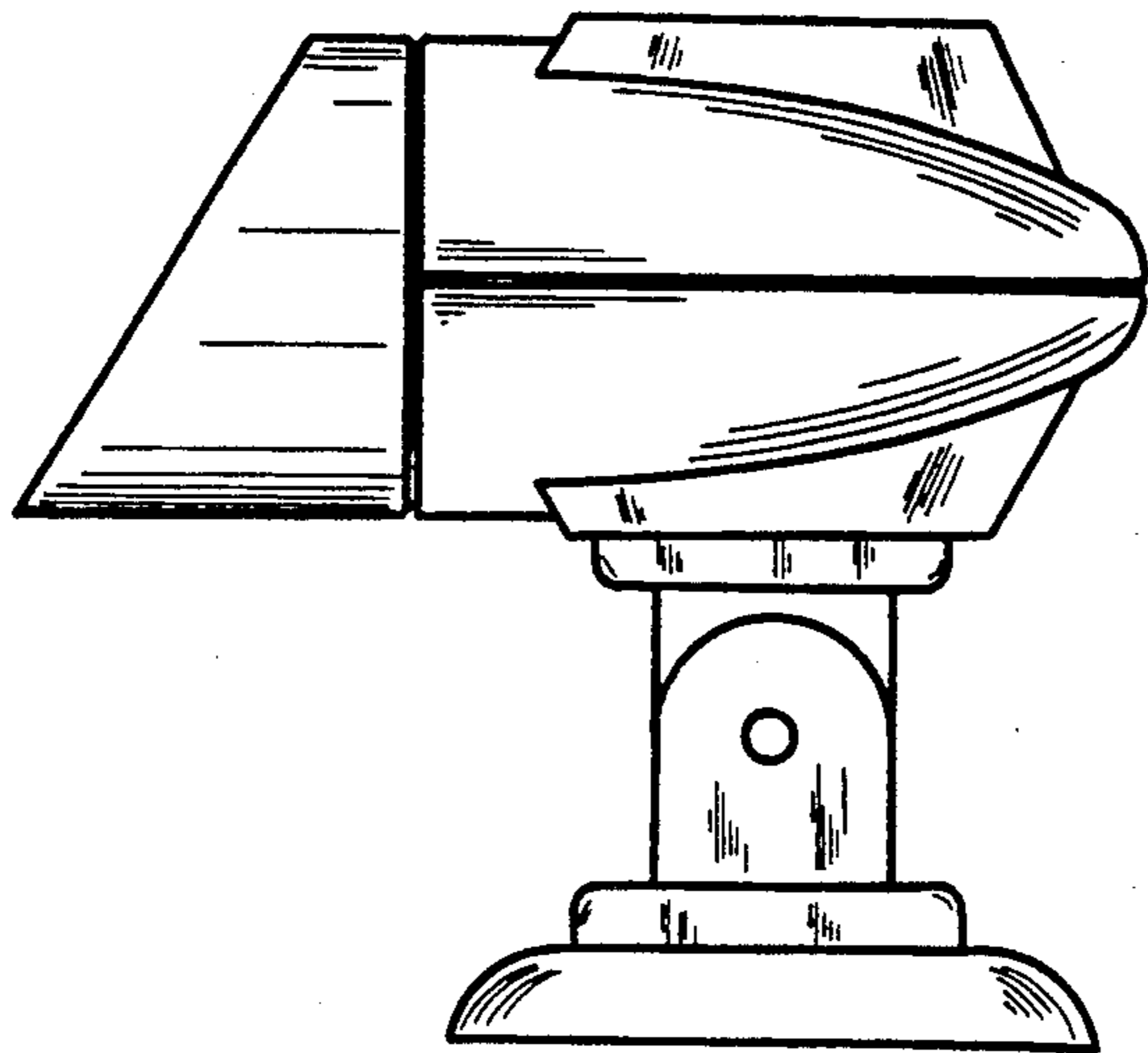


Fig.8

