



US00D334819S

United States Patent [19]
Cole

[11] **Patent Number: Des. 334,819**

[45] **Date of Patent: ** Apr. 13, 1993**

[54] **CASEMENT WINDOW VENT EXTRUSION**

[56] **References Cited**

U.S. PATENT DOCUMENTS

[75] **Inventor: Douglas L. Cole, Seattle, Wash.**

D. 308,104 5/1990 Hardy D25/124
3,845,585 11/1974 Cecil 49/153
3,859,754 1/1975 Budich et al. 49/DIG. 2
4,974,364 12/1990 Durham, Jr. 49/DIG. 2

[73] **Assignee: Mikron Industries, Kent, Wash.**

Primary Examiner—A. Hugo Word
Assistant Examiner—Doris Clark
Attorney, Agent, or Firm—Seed and Berry

[**] **Term: 14 Years**

[57] **CLAIM**

[21] **Appl. No.: 707,401**

The ornamental design for a casement window vent extrusion, as shown and described.

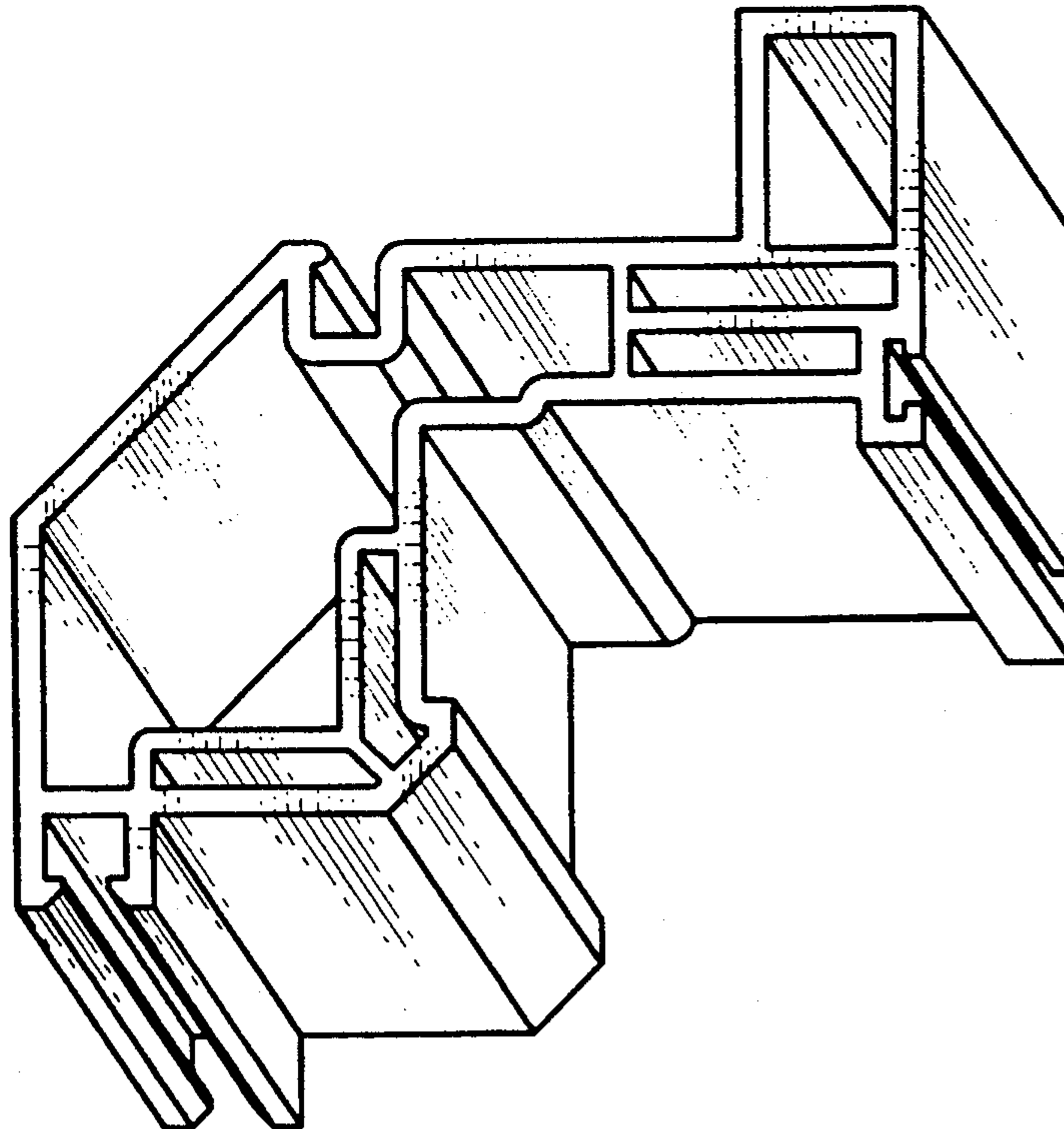
[22] **Filed: May 30, 1991**

DESCRIPTION

[52] **U.S. Cl. D25/124**

[58] **Field of Search D25/52, 119-125;
52/202-204; 49/501, 504, DIG. 2, 404, 413,
419, 75, 139, 150, 153, 246, 408**

FIG. 1 is a bottom, left, perspective view of a casement window vent extrusion showing my new design; and, FIG. 2 is a top, right, perspective view thereof.



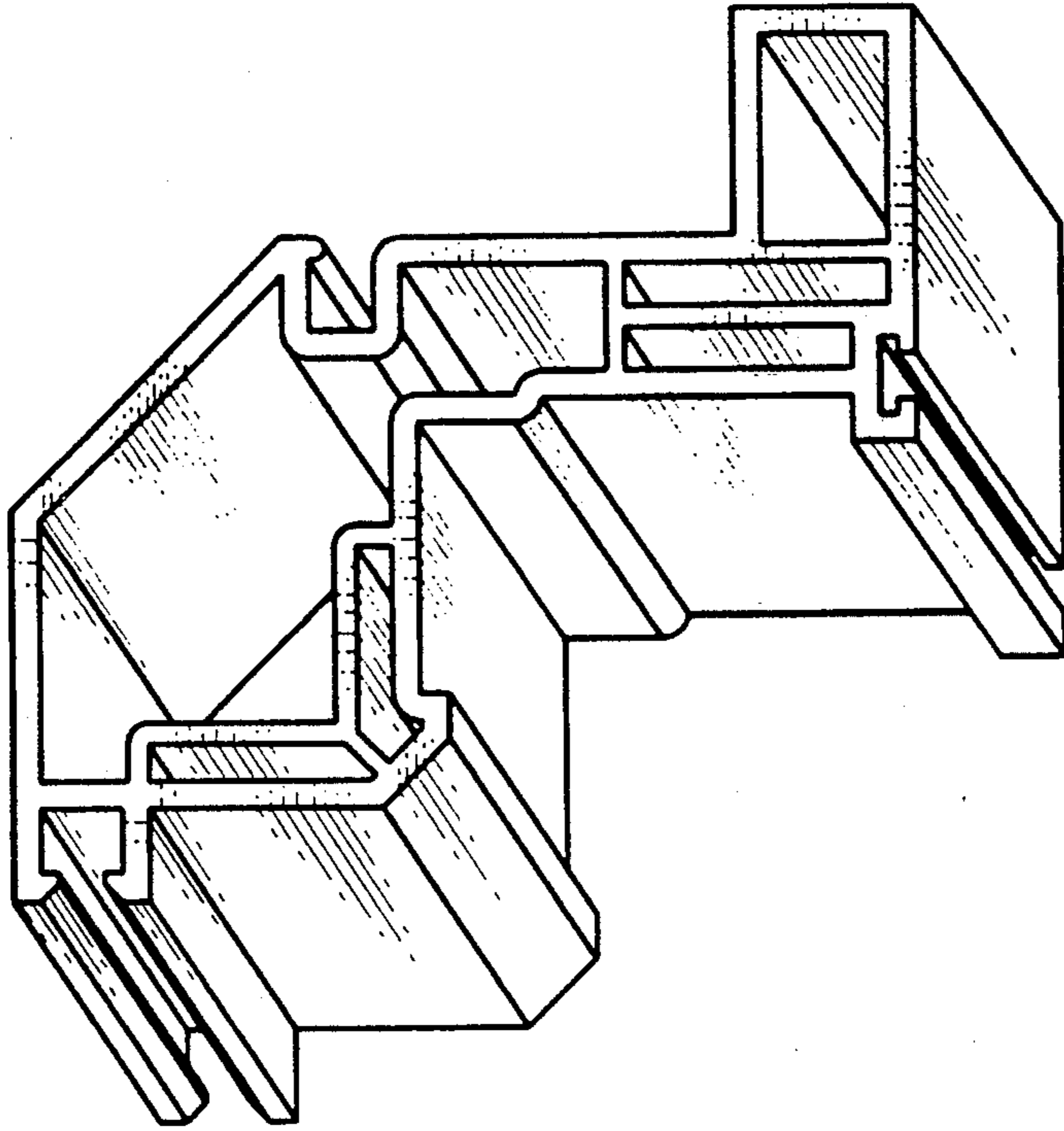


FIG. 1

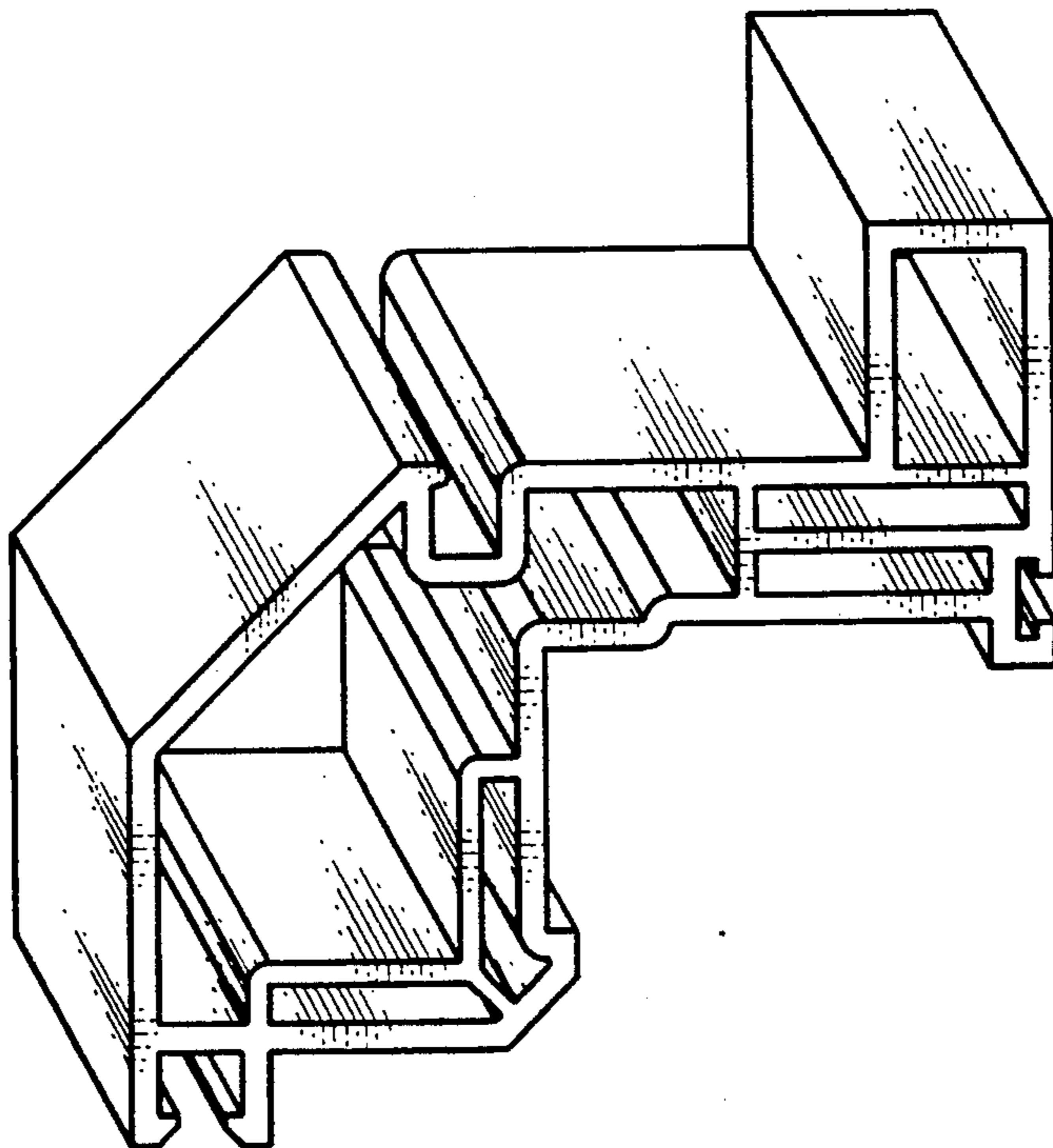


FIG. 2