



US00D334818S

# United States Patent [19]

[11] Patent Number: **Des. 334,818**

Cole

[45] Date of Patent: **\*\* Apr. 13, 1993**

[54] **CASEMENT WINDOW FRAME BAR EXTRUSION**

[56] **References Cited**

### U.S. PATENT DOCUMENTS

[75] Inventor: **Douglas L. Cole, Seattle, Wash.**

- D. 308,106 5/1990 Hardy ..... D25/124
- D. 313,860 1/1991 Slocomb, Jr. .... D25/124
- 3,775,905 12/1973 Frank ..... 49/153
- 3,845,585 11/1974 Cecil ..... 49/153
- 4,640,078 2/1987 Haffer ..... 49/DIG. 2

[73] Assignee: **Mikron Industries, Kent, Wash.**

*Primary Examiner*—A. Hugo Word  
*Assistant Examiner*—Doris Clark  
*Attorney, Agent, or Firm*—Seed and Berry

[\*\*] Term: **14 Years**

### [57] CLAIM

[21] Appl. No.: **687,429**

The ornamental design for a casement window frame bar extrusion, as shown and described.

[22] Filed: **Apr. 18, 1991**

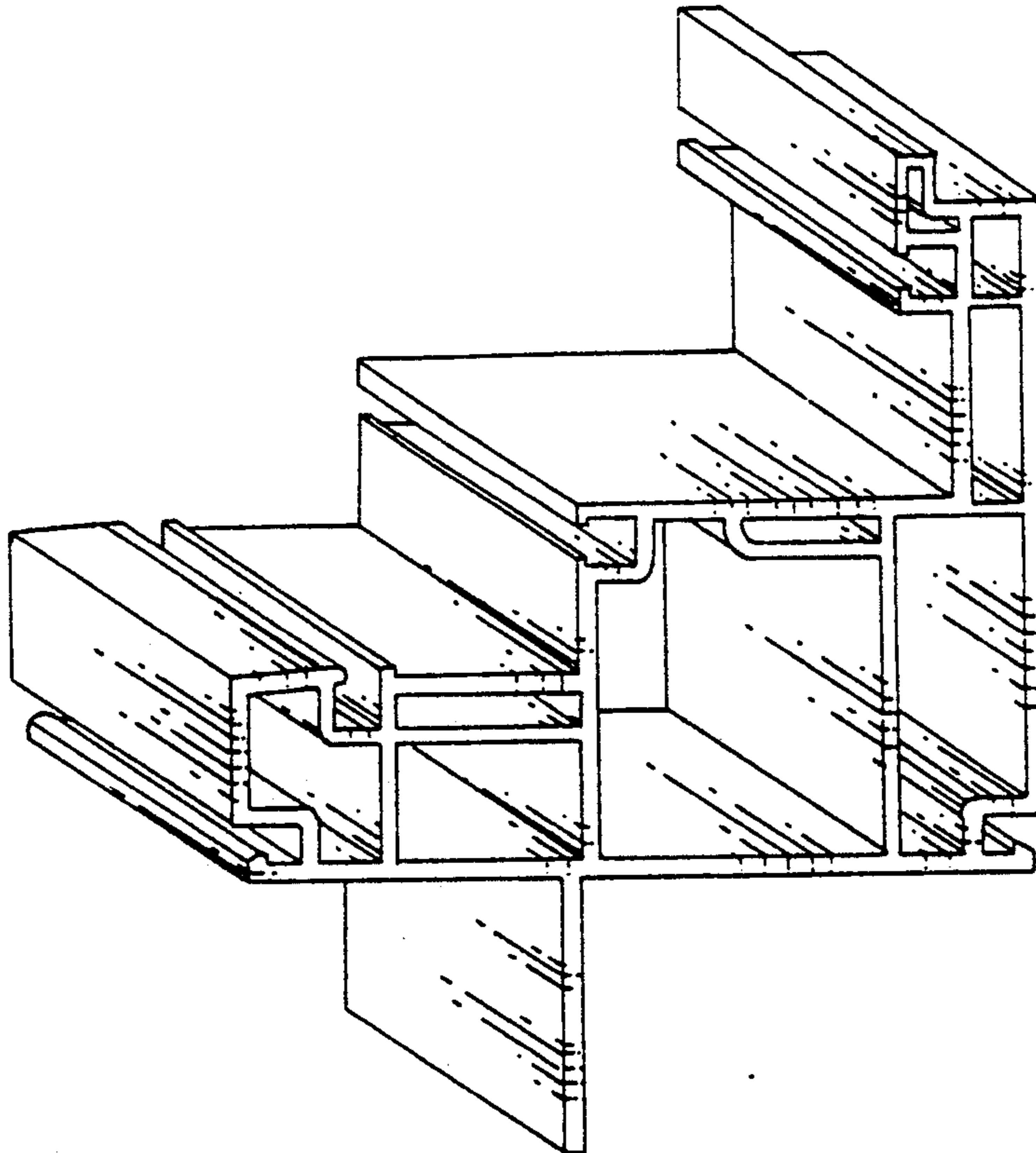
### DESCRIPTION

[52] U.S. Cl. .... **D25/124**

FIG. 1 is a top, right, perspective view of a casement window frame bar extrusion showing my new design; and,

[58] Field of Search ..... **D25/52, 119-125; 52/202-204; 49/501, 504, DIG. 2, 404, 413, 419, 75, 139, 150, 153, 246, 408**

FIG. 2 is a bottom, left, perspective view thereof.



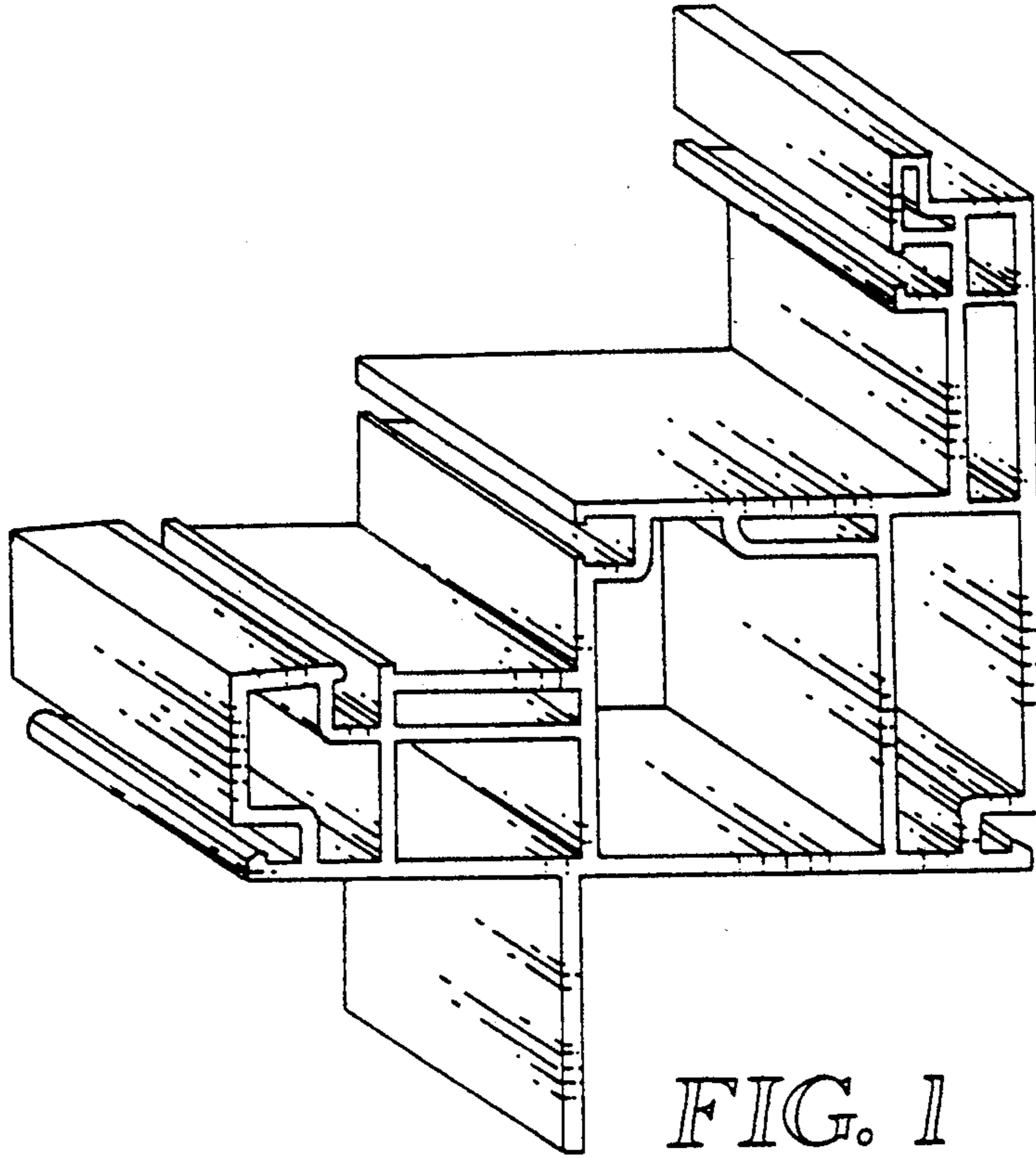


FIG. 1

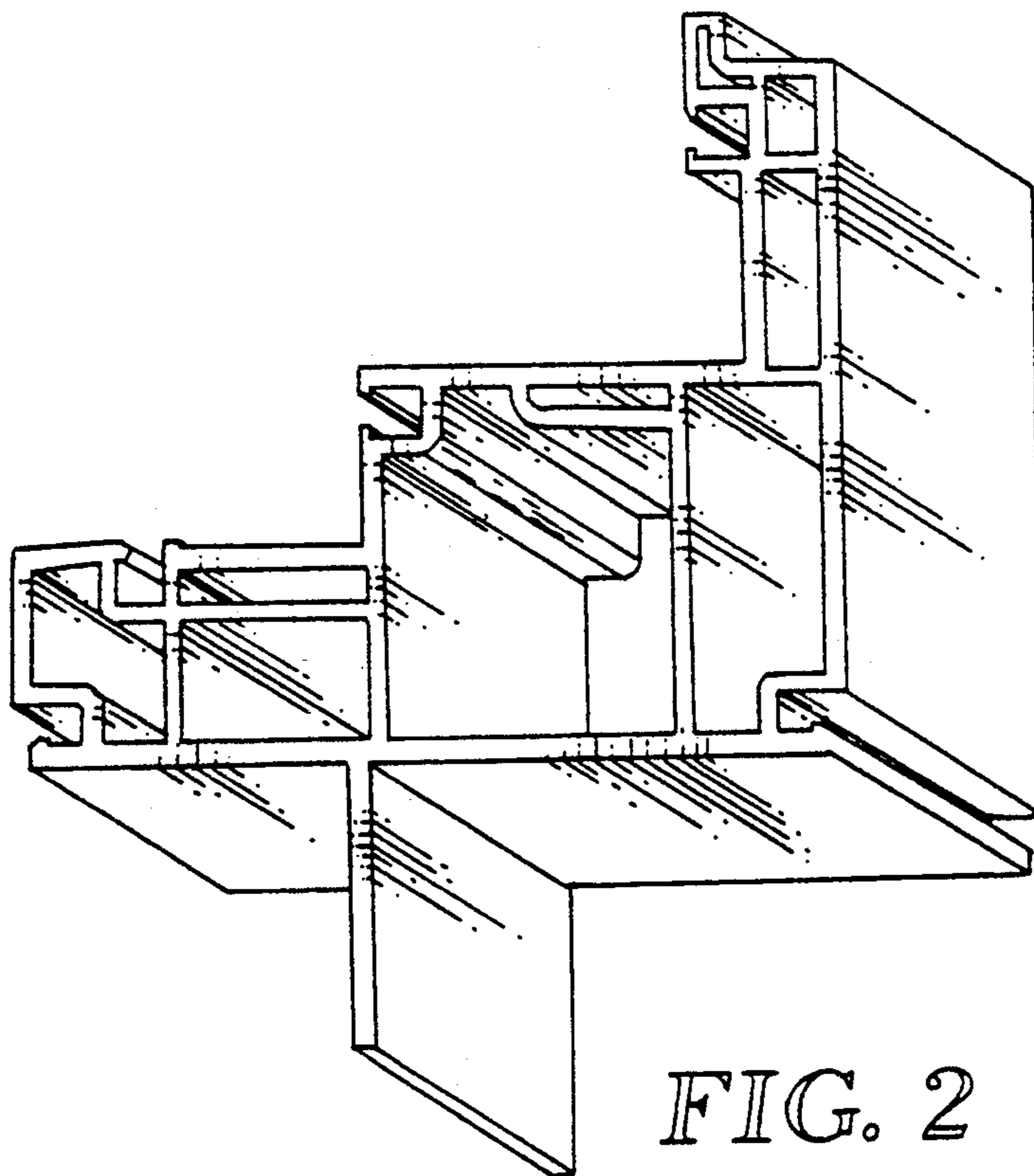


FIG. 2