



US00D334817S

**United States Patent** [19]  
**Cole**

[11] **Patent Number: Des. 334,817**

[45] **Date of Patent: \*\* Apr. 13, 1993**

[54] **WINDOW COMPONENT EXTRUSION**

[56] **References Cited**

**U.S. PATENT DOCUMENTS**

[75] **Inventor: Douglas L. Cole, Seattle, Wash.**

D. 261,311 10/1981 Schmidt ..... D25/124  
4,004,370 1/1977 Heaney ..... 49/504  
4,740,405 4/1988 Tanaka et al. .... 49/504

[73] **Assignee: Mikron Industries, Kent, Wash.**

*Primary Examiner*—Louis S. Zarfes  
*Assistant Examiner*—Doris Clark  
*Attorney, Agent, or Firm*—Seed and Berry

[\*\*] **Term: 14 Years**

[57] **CLAIM**

[21] **Appl. No.: 673,215**

The ornamental design for a window component extrusion, as shown and described.

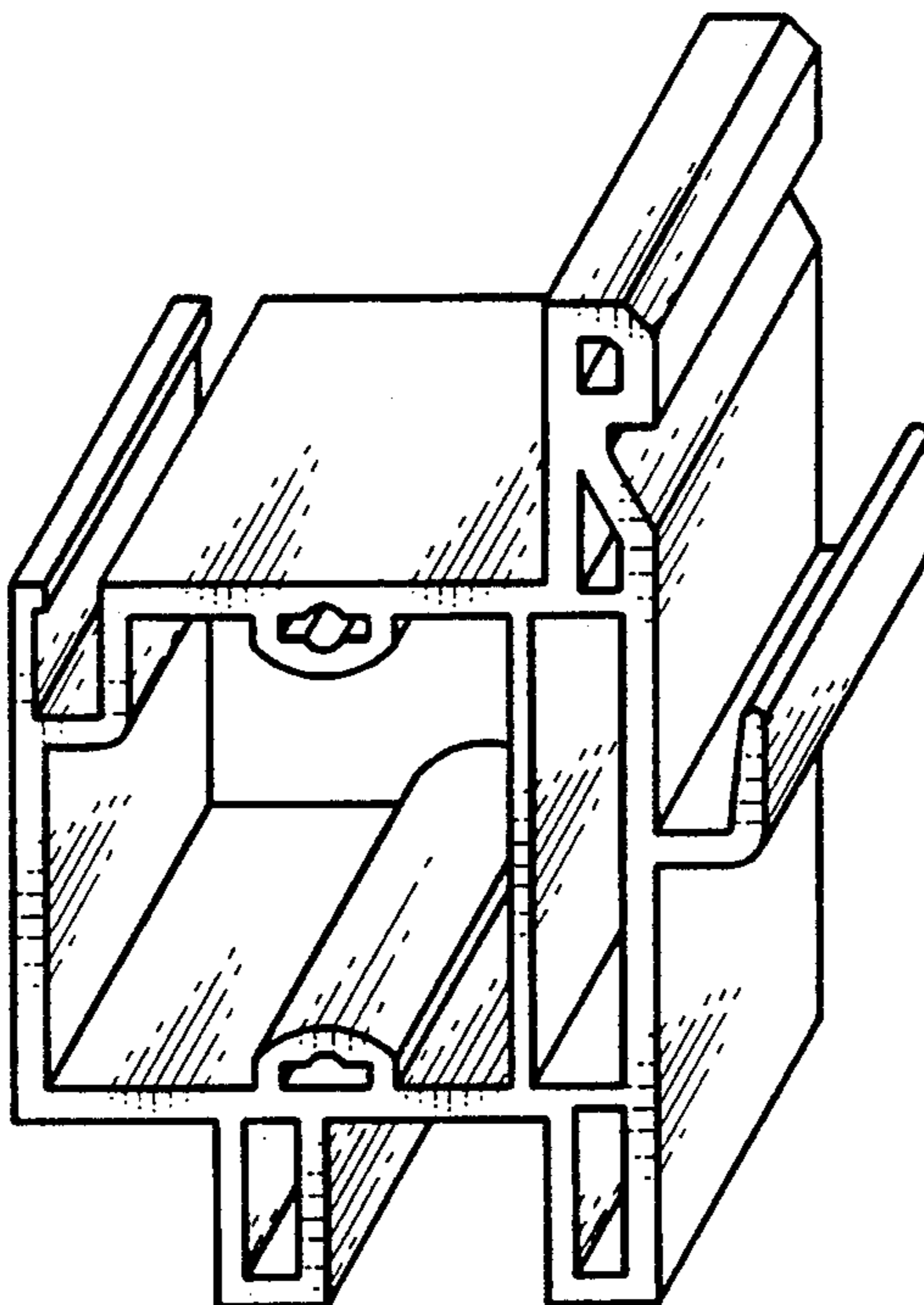
**DESCRIPTION**

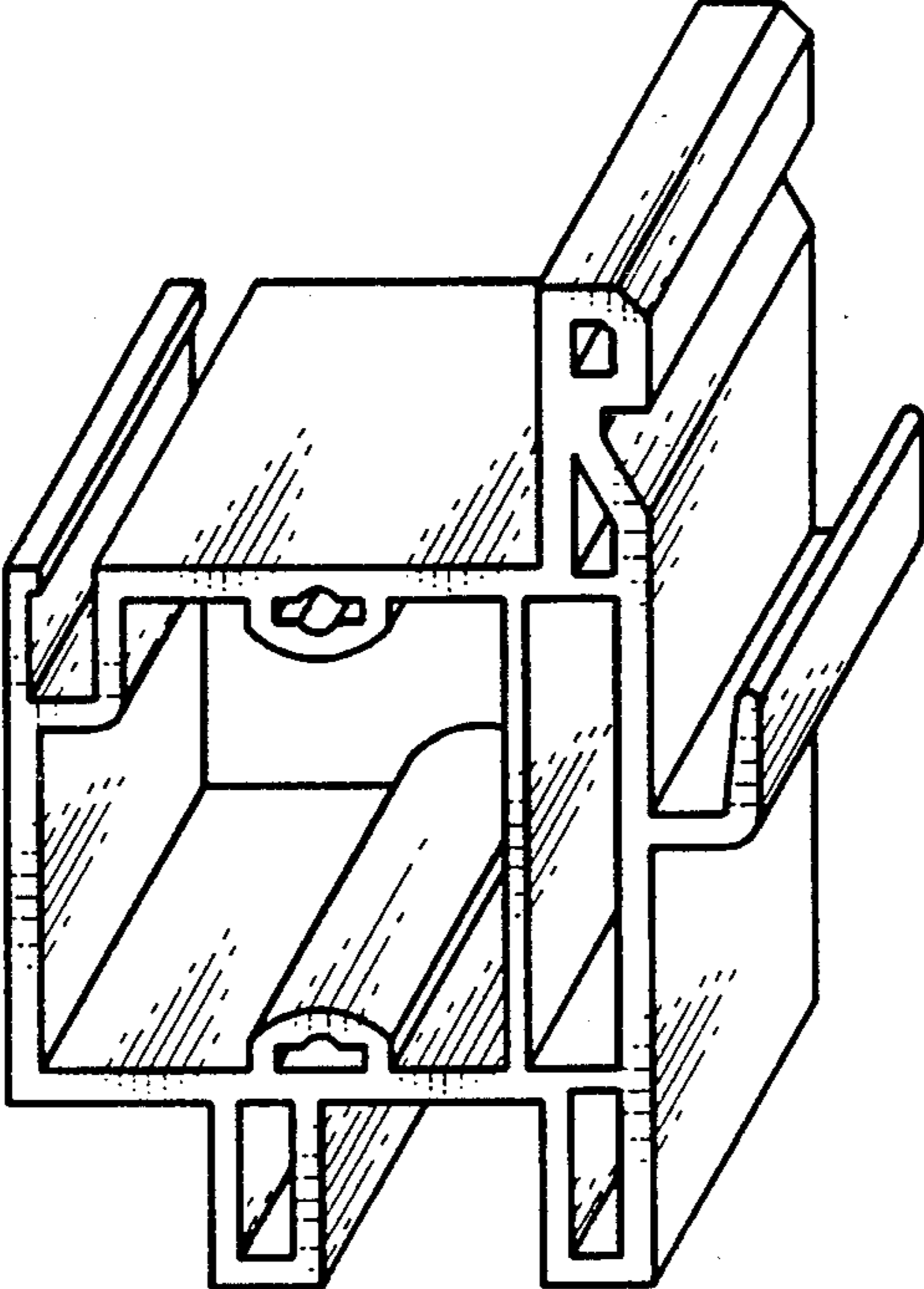
[22] **Filed: Mar. 20, 1991**

[52] **U.S. Cl. .... D25/124**

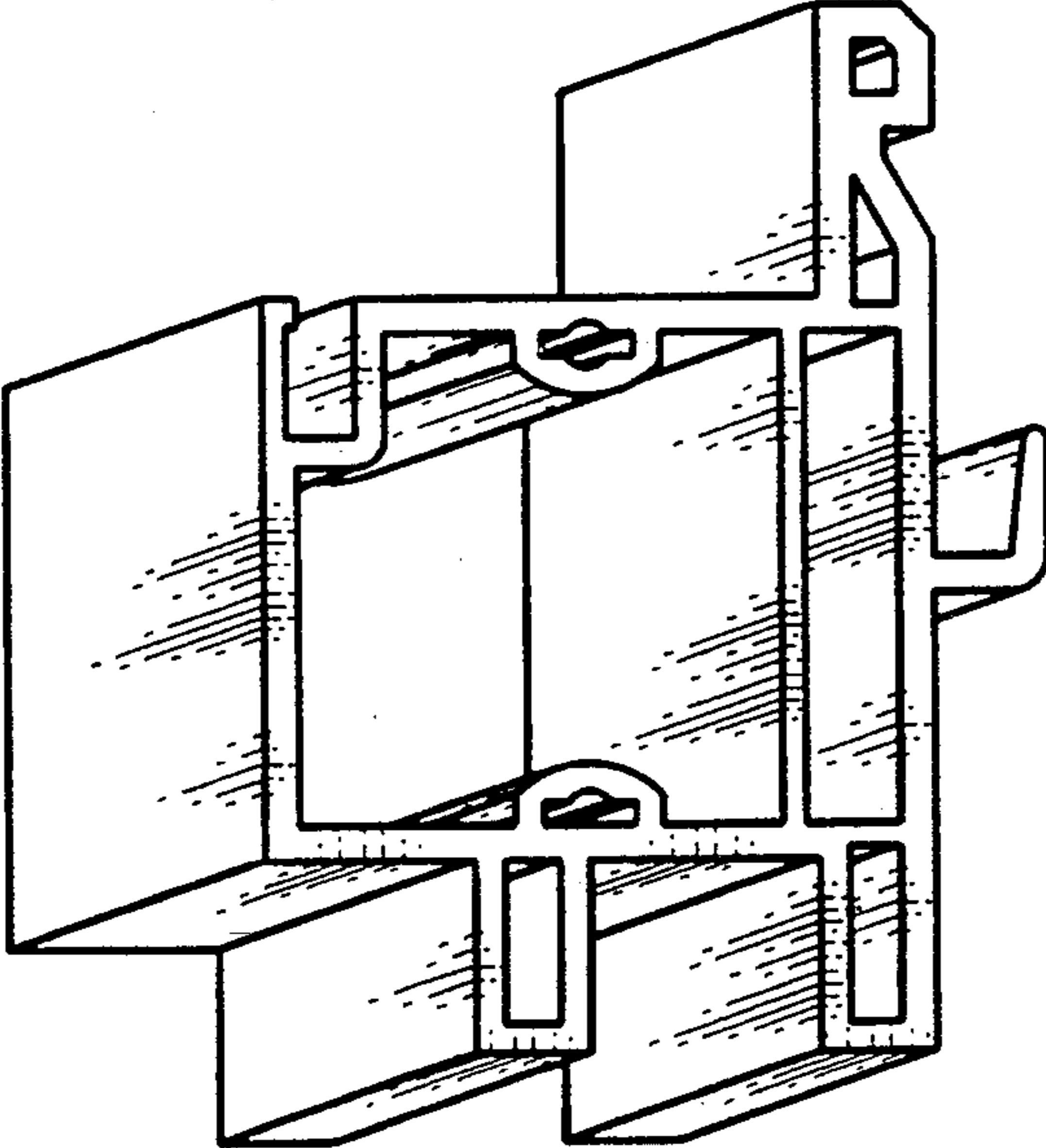
[58] **Field of Search .... D25/52, 119-125;  
49/75, 501, 404, 413, 419, 504, DIG. 1; 52/202,  
731, 735**

FIG. 1 is a top, left, perspective view of a window component extrusion showing my new design, the window component extrusion being of indefinite length; and, FIG. 2 is a bottom, right, perspective view thereof.





*FIG. 1*



*FIG. 2*