



US00D334815S

United States Patent [19]

[11] Patent Number: **Des. 334,815**

Bunger

[45] Date of Patent: **** Apr. 13, 1993**

[54] **CORNER CONNECTOR FOR A MODULAR STORAGE CONTAINER**

4,012,153 3/1977 Pidgeon et al. 403/231 X
4,482,522 11/1984 Baudisch et al. 211/74 X
5,071,002 12/1991 Bradley 248/311.2

[76] Inventor: **Ricahrd E. Bunger**, 1834 W. 3rd St., Tempe, Ariz. 85281

OTHER PUBLICATIONS

Lane Occasional Tables, p. 4, Item 1121-95.

[**] Term: **14 Years**

Primary Examiner—Alan P. Douglas

[21] Appl. No.: **588,107**

Assistant Examiner—Jeffrey Asch

[22] Filed: **Sep. 24, 1990**

Attorney, Agent, or Firm—Warren F. B. Lindsley

[52] U.S. Cl. **D25/113; D6/491; D6/495; D8/382; D21/108**

[57] CLAIM

[58] Field of Search **D25/4, 113, 61, 118, D25/133; D21/108; D8/382, 354; 403/170, 231, 251, 171, 176, 175; 211/72, 74, 13; 248/311.2, 152; D6/491, 483, 475, 476, 468, 469**

The ornamental design for a corner connector for a modular storage container, as shown and described.

DESCRIPTION

[56] References Cited

U.S. PATENT DOCUMENTS

- D. 119,609 3/1940 Cret D6/483
- D. 181,962 1/1958 Ehrmann D21/108
- D. 257,365 10/1980 Gabriel D8/382 X
- D. 264,178 5/1982 Magner D6/382
- D. 315,183 3/1991 Meyer D21/108
- 3,374,917 3/1968 Troy D25/113 X

FIG. 1 is a top, front, and left side perspective view of a corner connector for amodular storage container showing my new design;

FIG. 2 is a bottom plan view;

FIG. 3 is a top plan view;

FIG. 4 is a front elevational view;

FIG. 5 is a rear elevational view;

FIG. 6 is a right side elevational view; and,

FIG. 7 is a left side elevational view thereof.

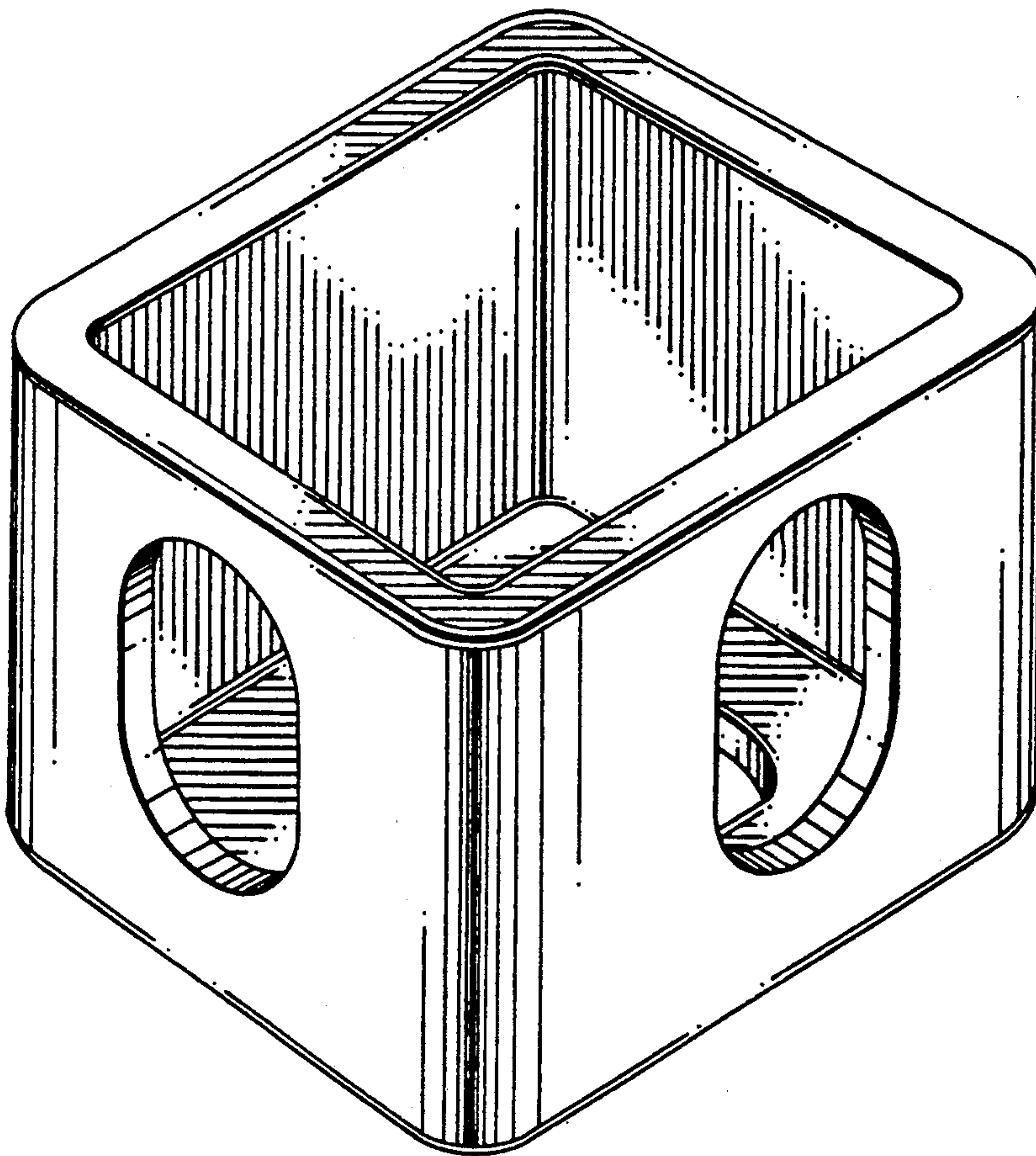


FIG. 1

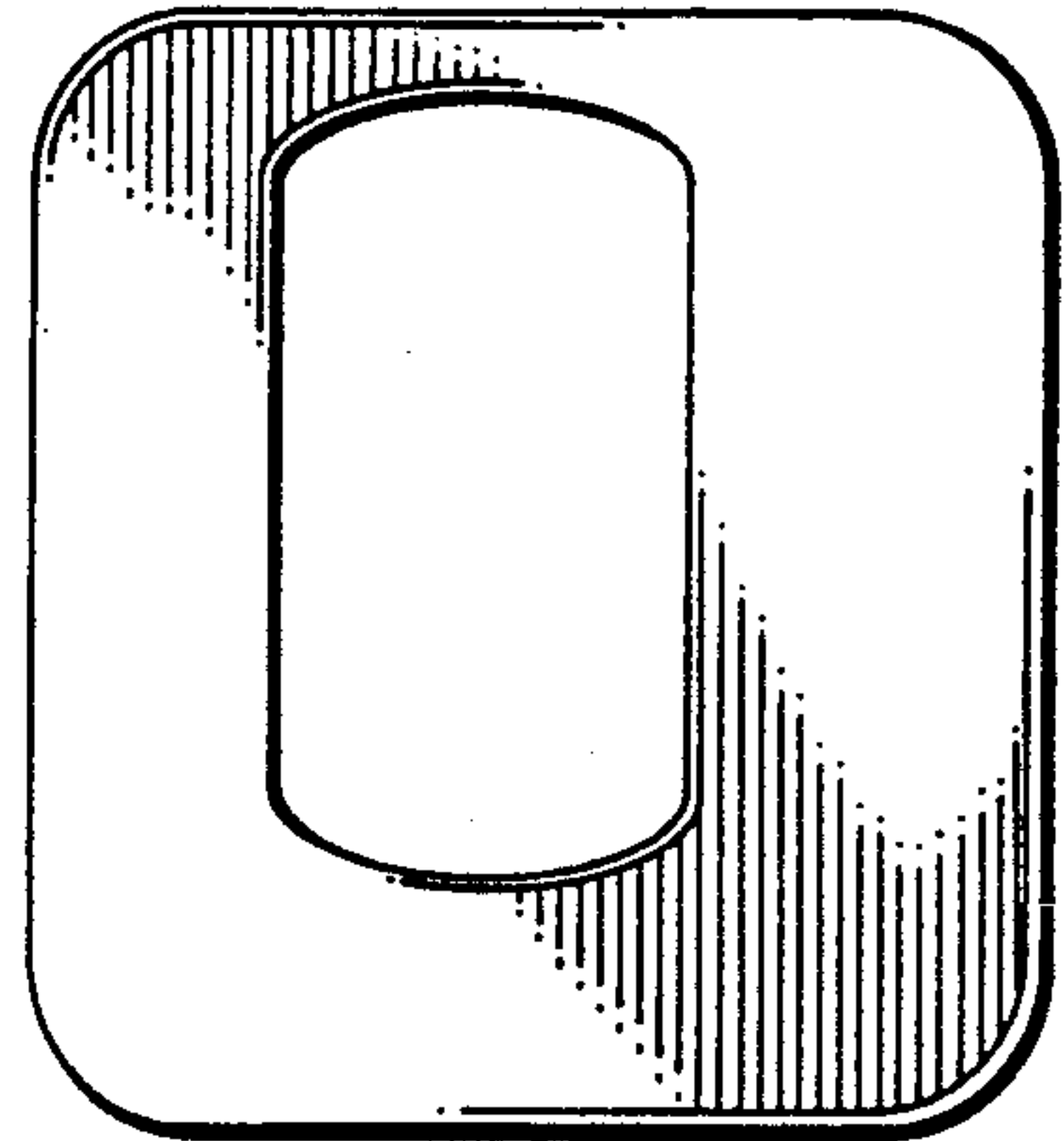
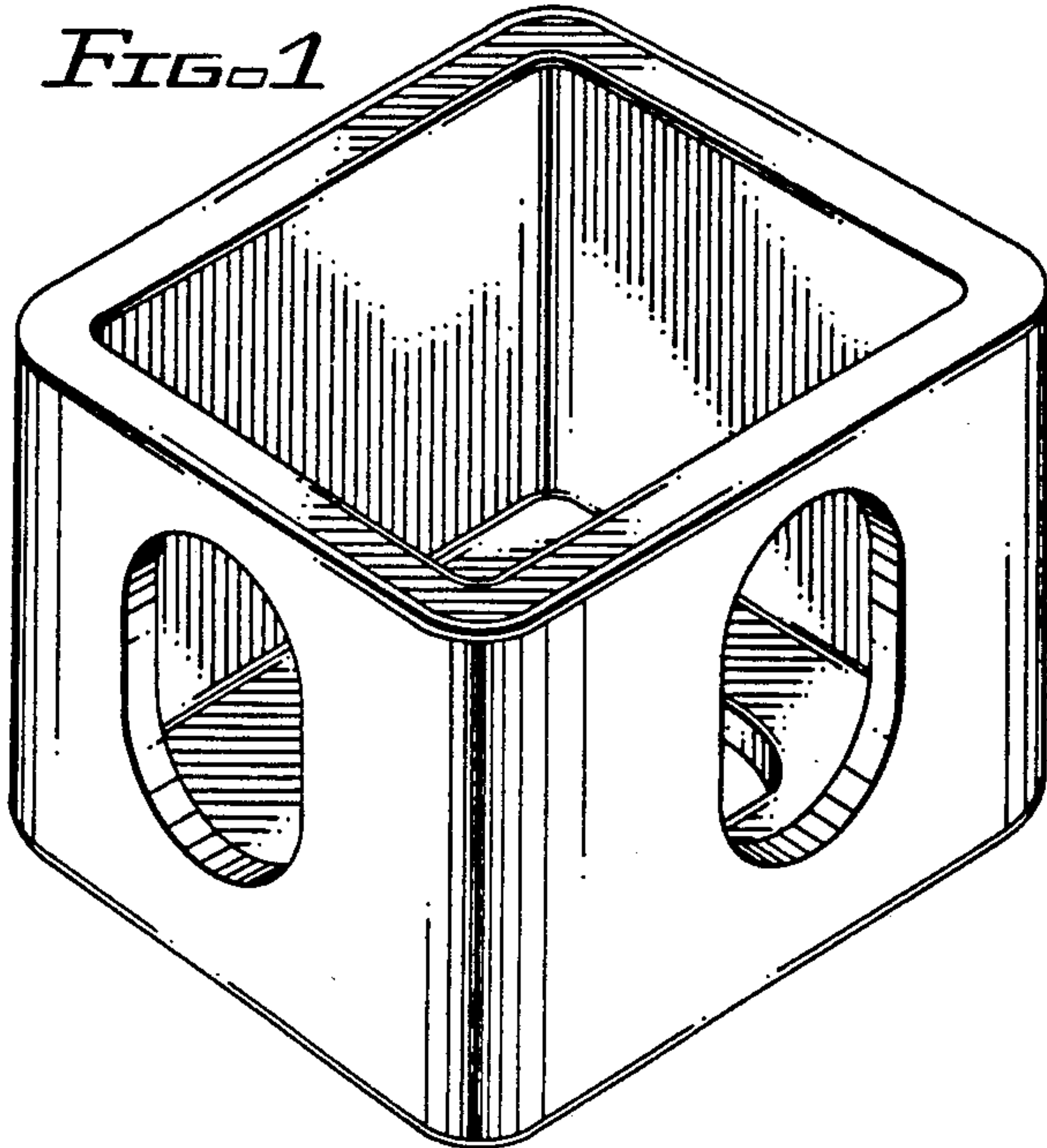


FIG. 2

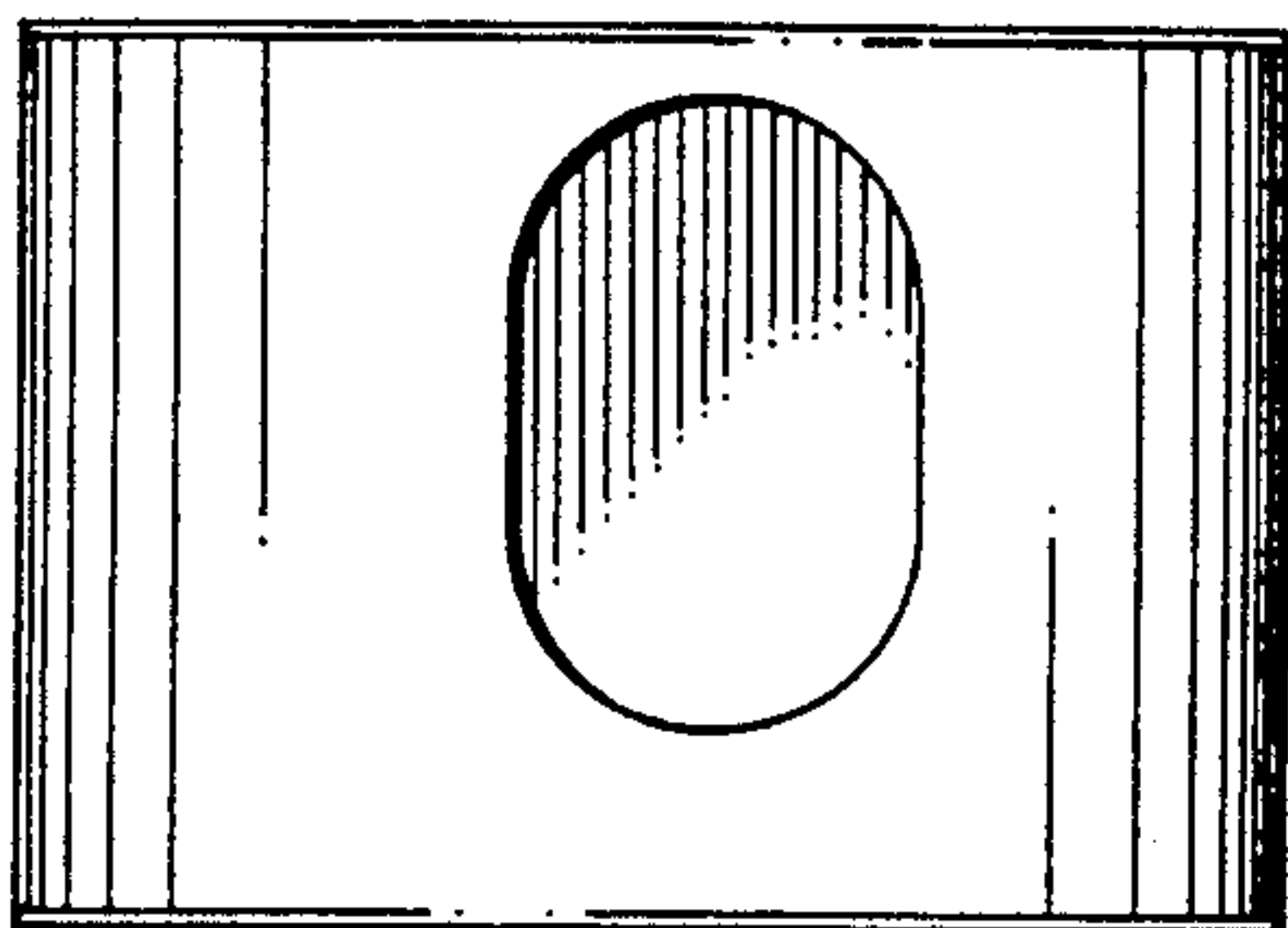


FIG. 4

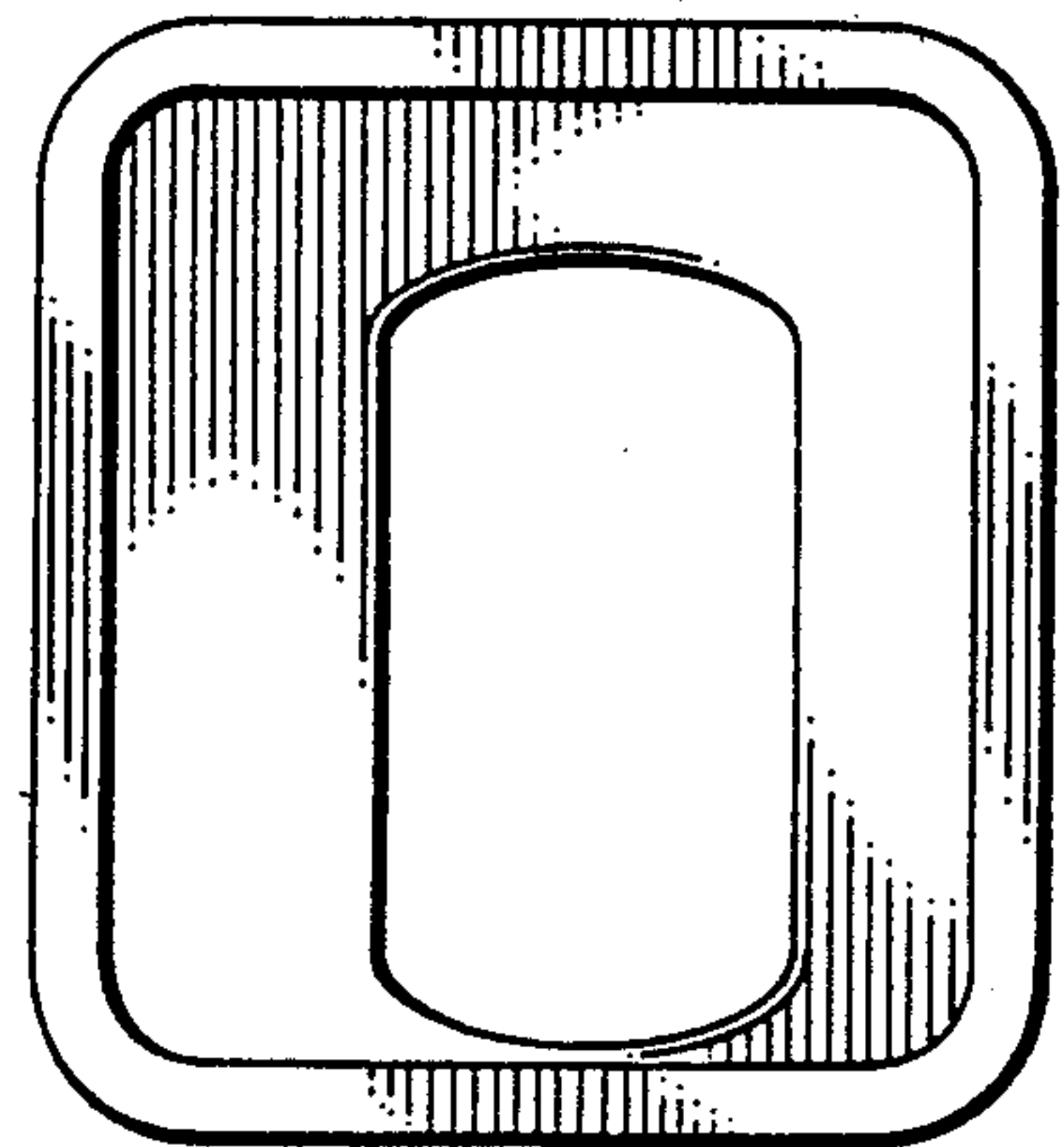


FIG. 3

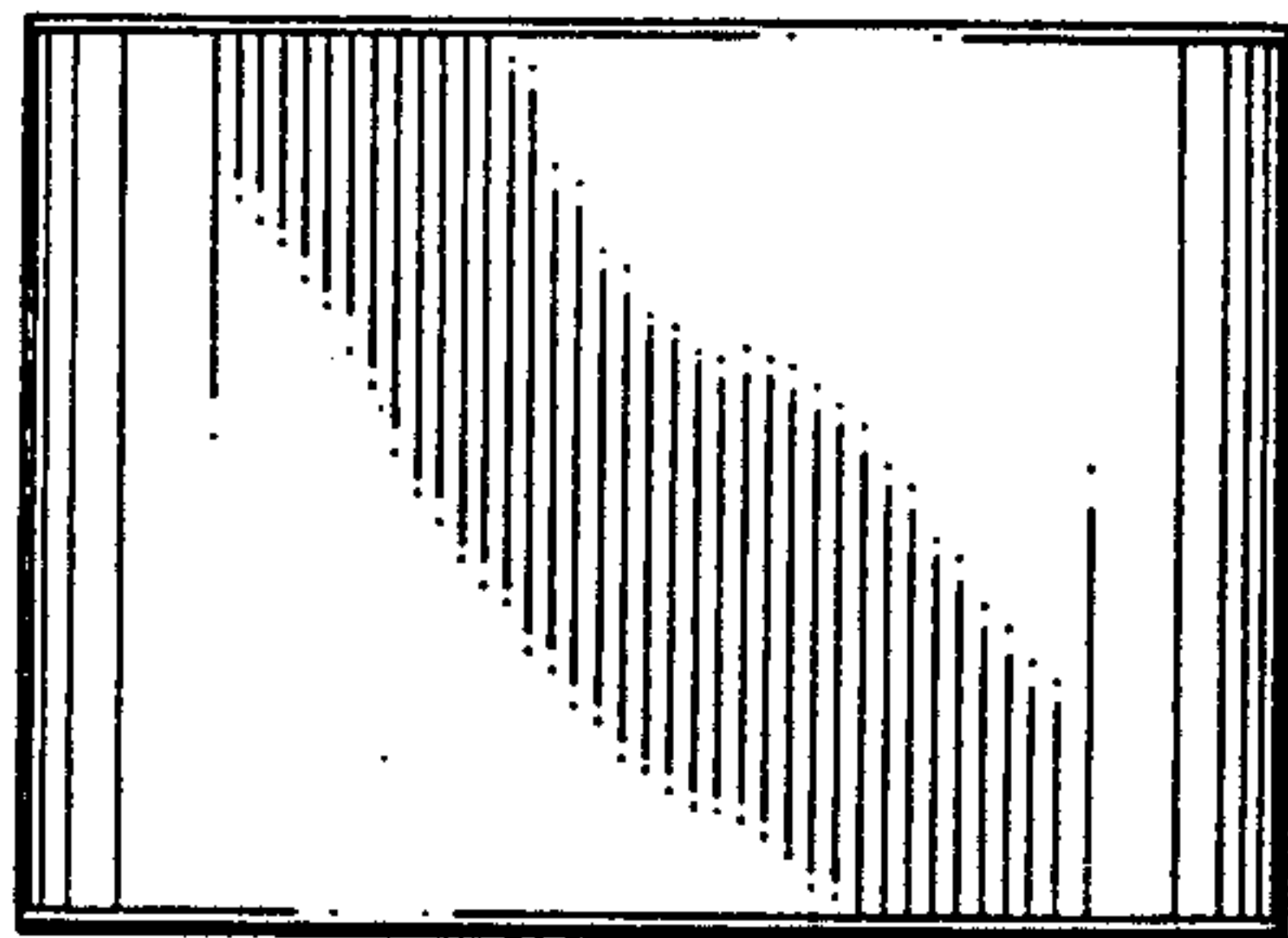


FIG. 5

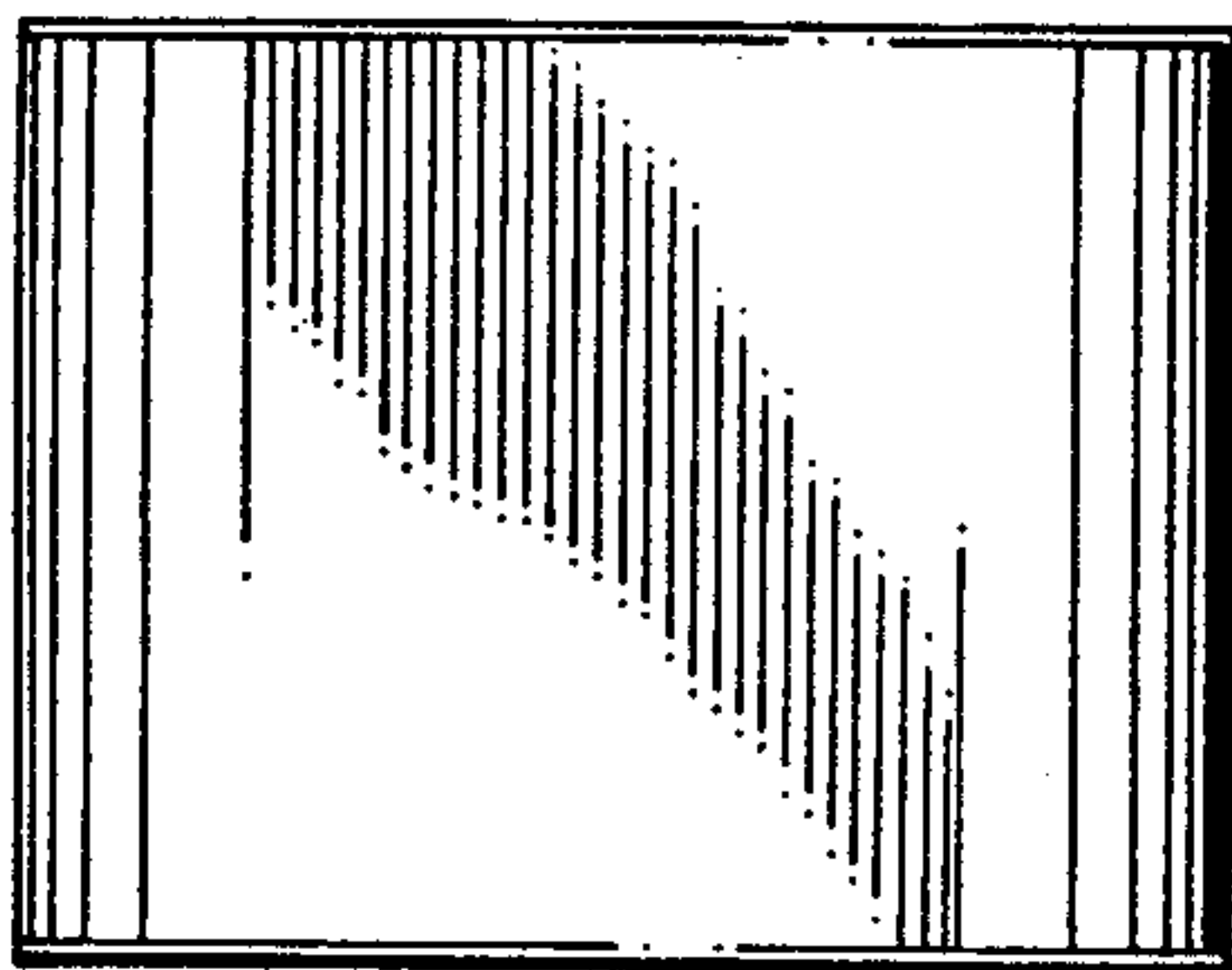


FIG. 6

FIG. 7

