



US00D334811S

United States Patent [19]

[11] Patent Number: **Des. 334,811**

Parks et al.

[45] Date of Patent: **** Apr. 13, 1993**

[54] **FOLDABLE SAWHORSE**

[76] Inventors: **Roby A. Parks**, 2161 Huntleigh Rd., Springfield, Ill. 62714; **W. Allan Shears**, 411 S. 3rd St., Divernon, Ill. 62530

[**] Term: **14 Years**

[21] Appl. No.: **518,646**

[22] Filed: **May 3, 1990**

[52] U.S. Cl. **D25/67**

[58] Field of Search **D25/67-68;**
182/181-185, 152-156; 269/139; 248/168

[56] **References Cited**

U.S. PATENT DOCUMENTS

D. 298,056	10/1988	Auerbach	D25/67
1,953,012	3/1934	Gerrard	182/185
2,197,187	4/1940	Larson	182/181
2,638,386	5/1953	Larson	182/181
2,889,178	6/1959	Rambon	182/181
4,296,834	10/1981	Kroger	182/181
4,515,243	5/1985	Prior	182/181

Primary Examiner—Louis S. Zarfaz
Assistant Examiner—Doris Clark
Attorney, Agent, or Firm—Robert A. Brown

[57] **CLAIM**

The ornamental design for a foldable sawhorse, as shown and described.

DESCRIPTION

FIG. 1 is a perspective view of a foldable sawhorse showing our new design;
 FIG. 2 is an enlarged fragmentary right side perspective view thereof;
 FIG. 3 is an enlarged fragmentary left side perspective view thereof;
 FIG. 4 is an enlarged fragmentary right side elevational view thereof;
 FIG. 5 is a side elevational view thereof;
 FIG. 6 is a side elevational view thereof, the sawhorse shown in storage position;
 FIG. 7 is an enlarged fragmentary top plan view thereof;
 FIG. 8 is a top plan view thereof;
 FIG. 9 is an enlarged fragmentary top plan view thereof, the sawhorse shown in storage position;
 FIG. 10 is a top plan view thereof, the sawhorse shown in storage position;
 FIG. 11 is an enlarged fragmentary end elevational view thereof;
 FIG. 12 is an elevational view thereof;
 FIG. 13 is an enlarged fragmentary end elevational view thereof, the sawhorse shown in storage position; and,
 FIG. 14 is an end elevational view thereof, the sawhorse shown in storage position.

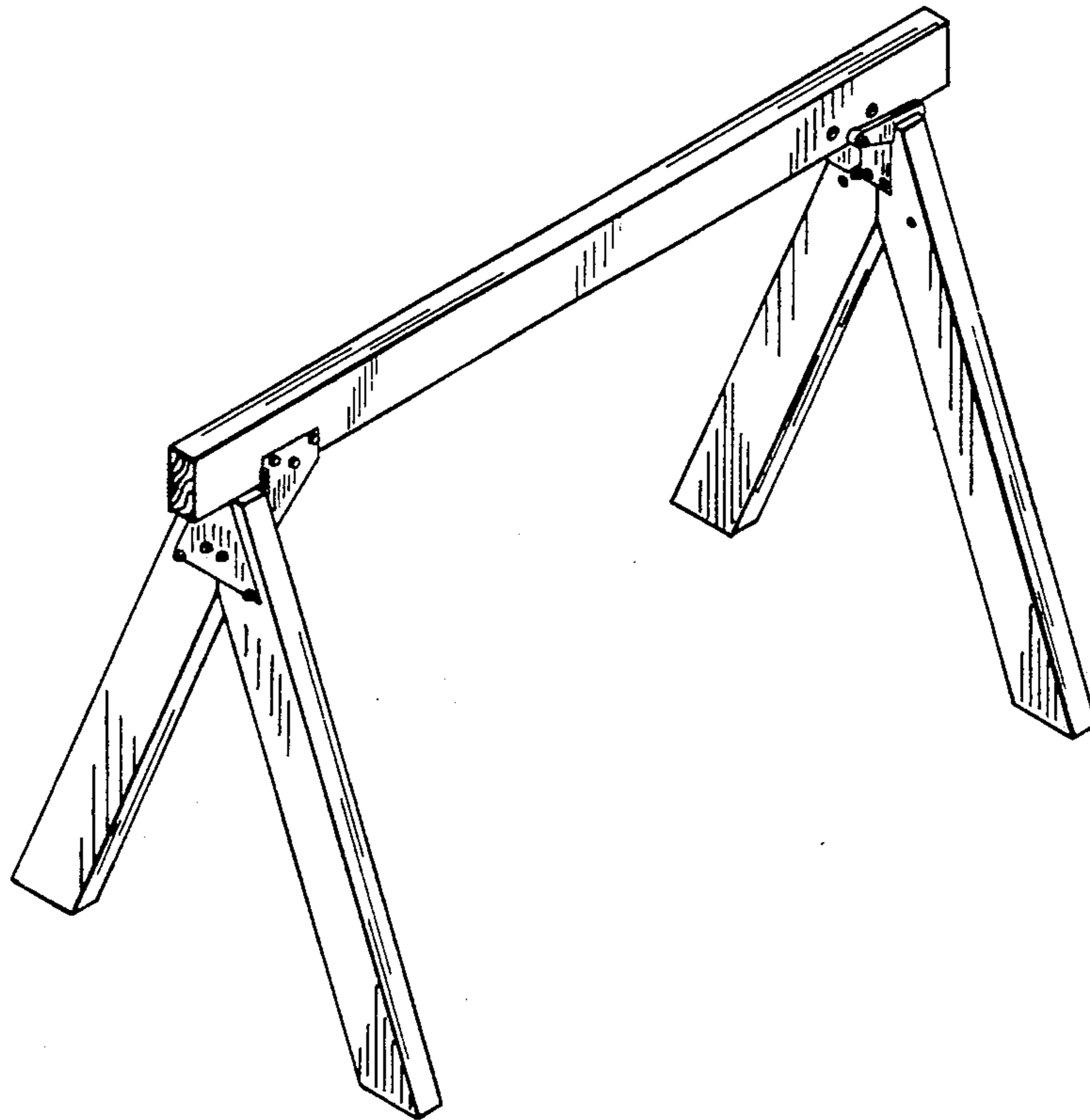


FIG. 1

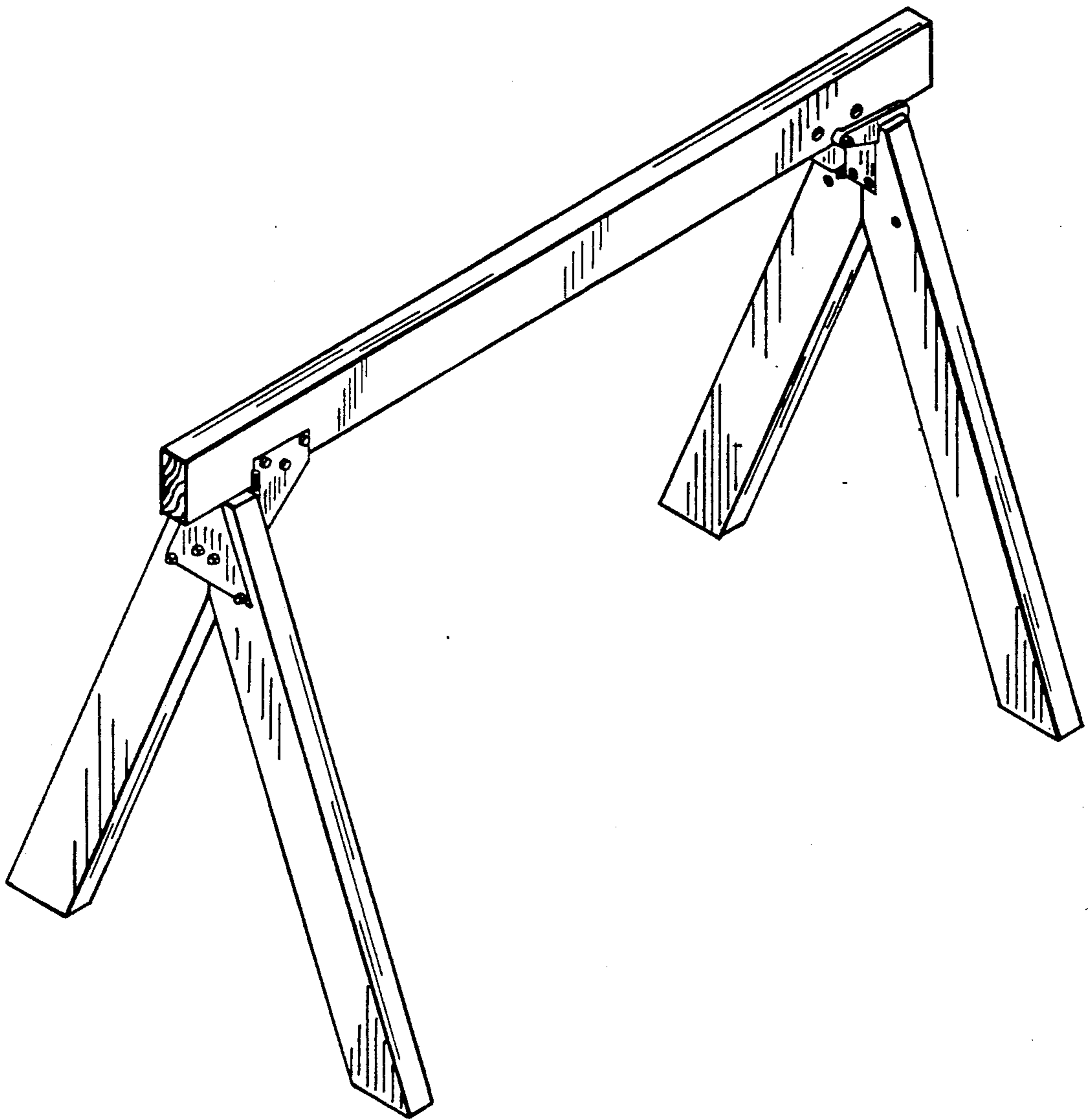


FIG. 2

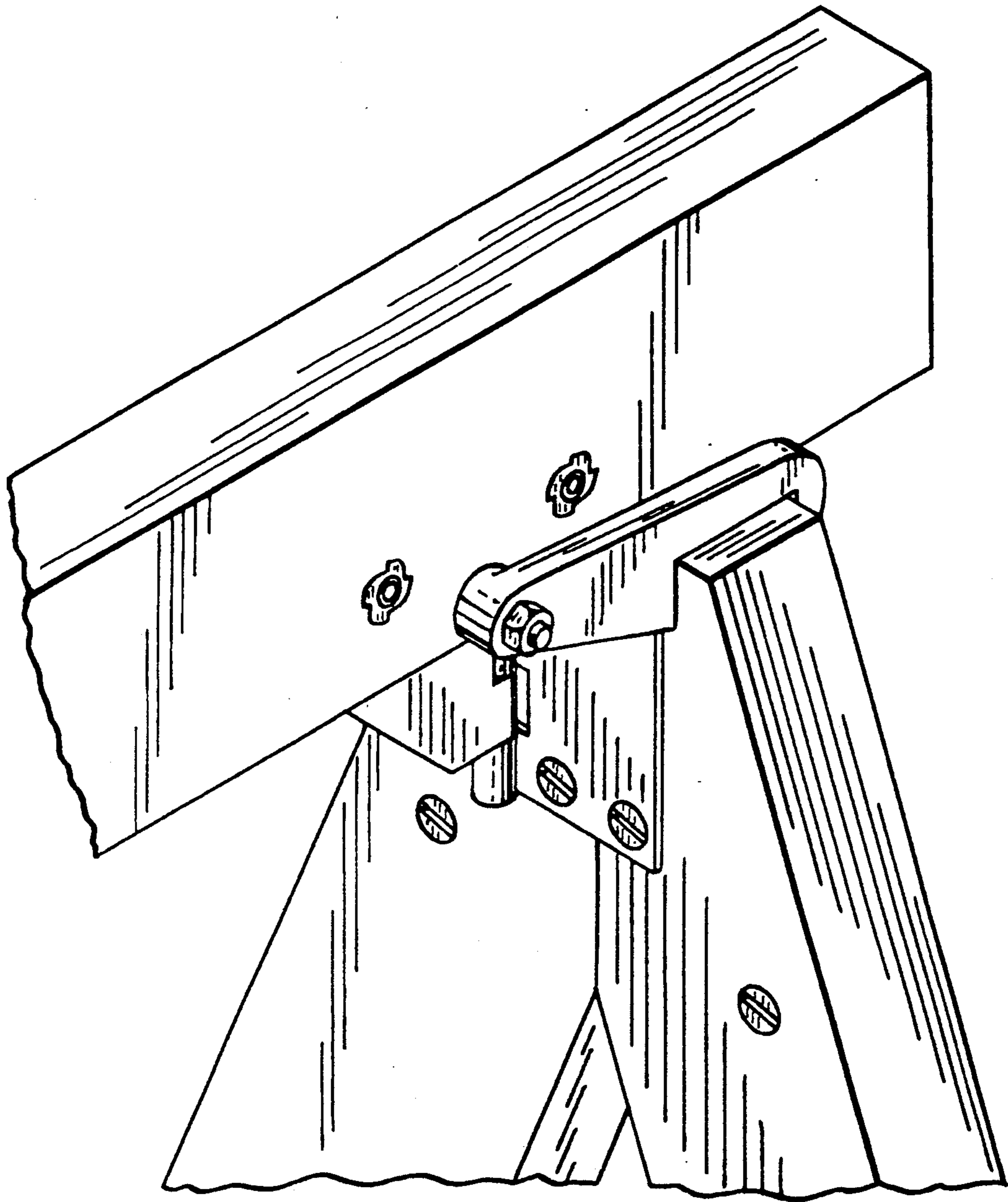


FIG. 3

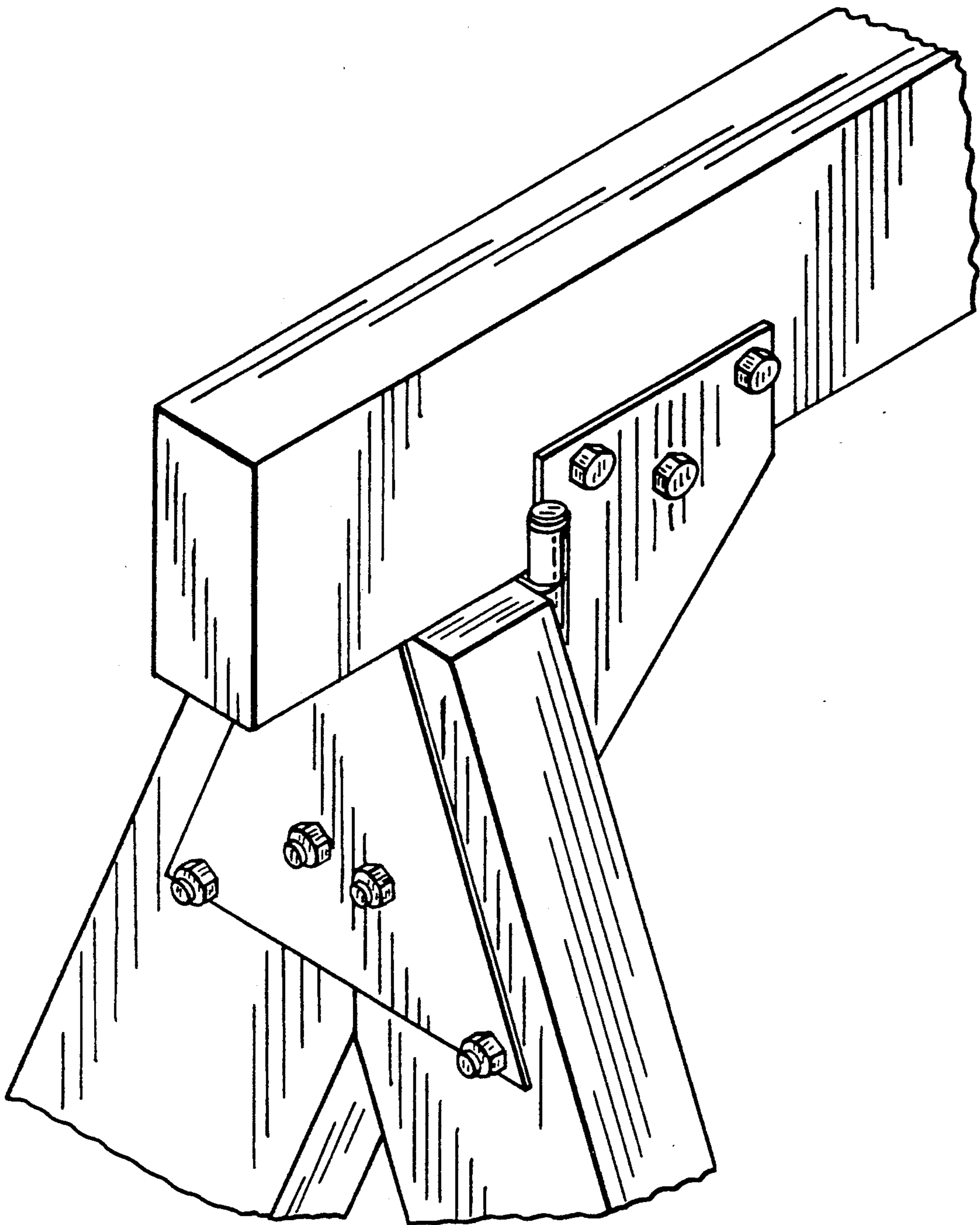


FIG. 4

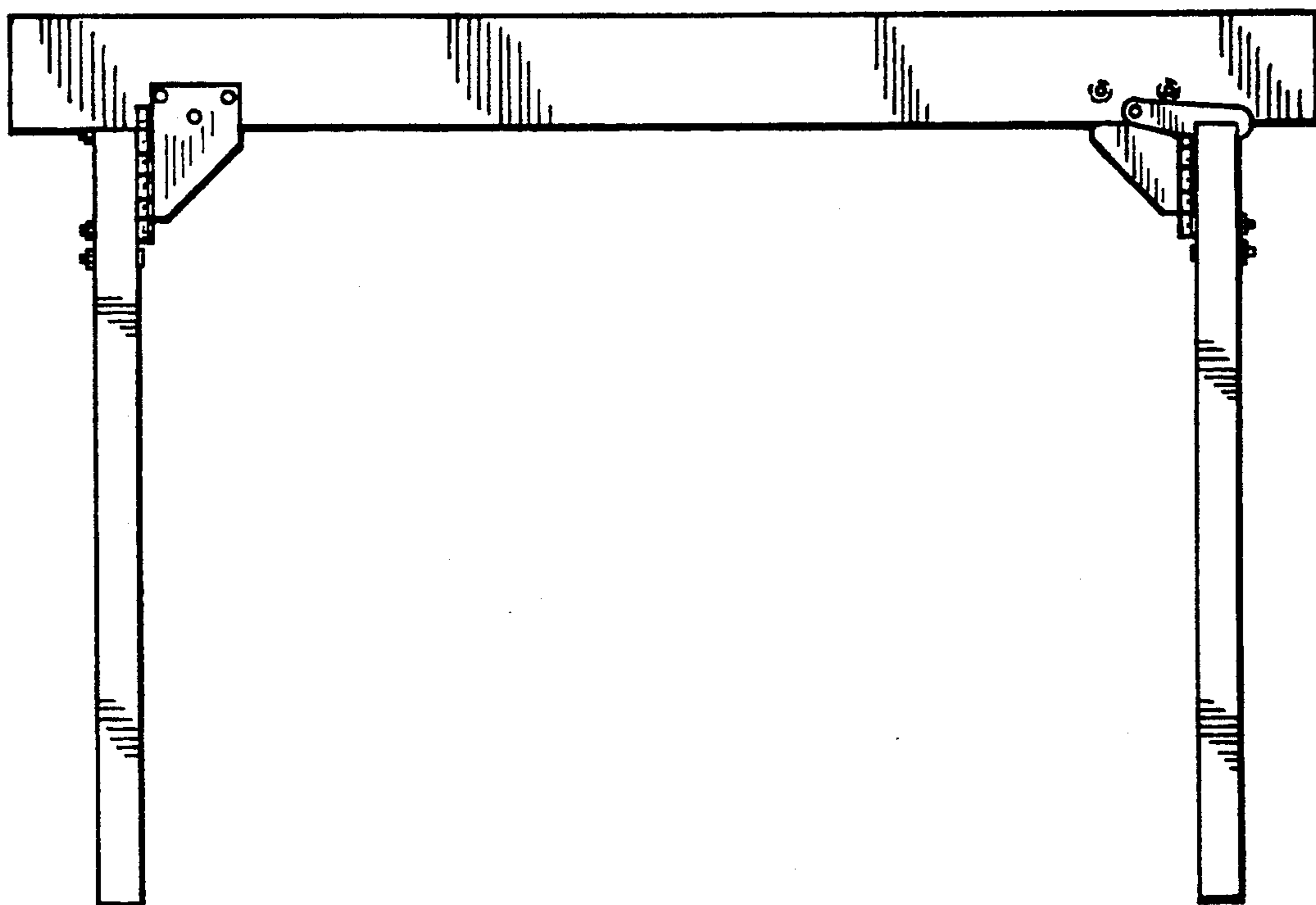
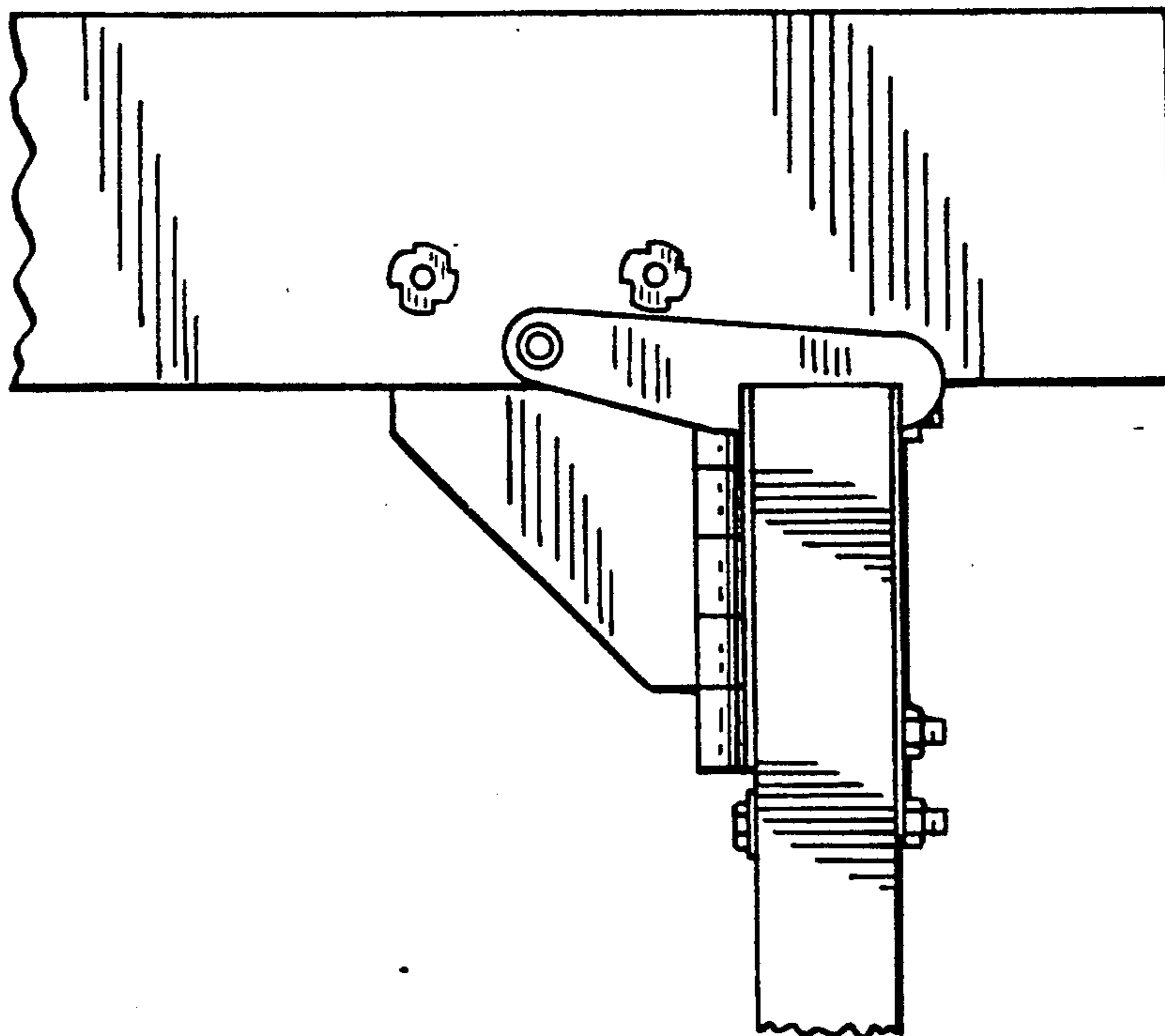


FIG. 5

FIG. 6

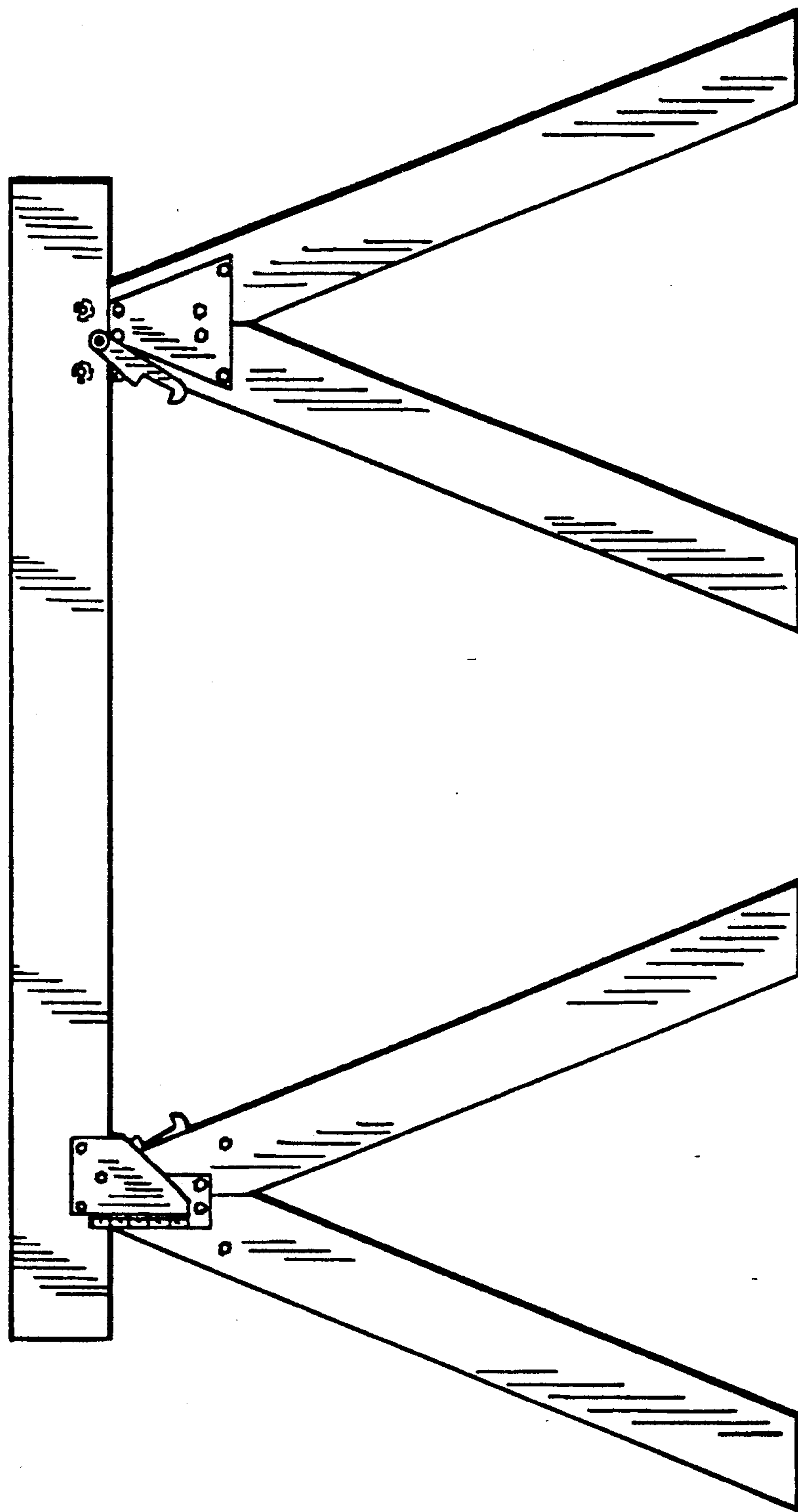


FIG. 7

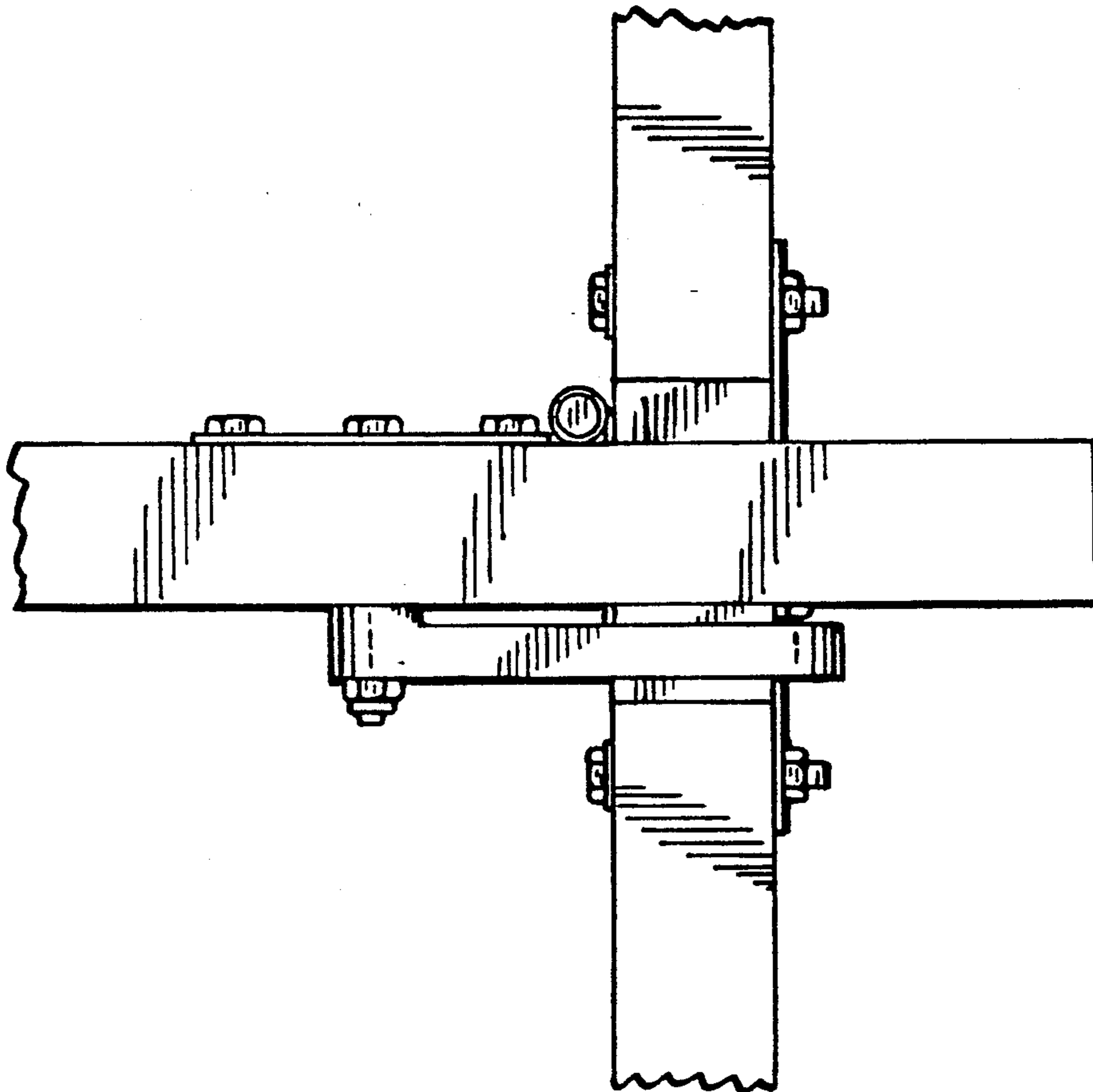


FIG. 8

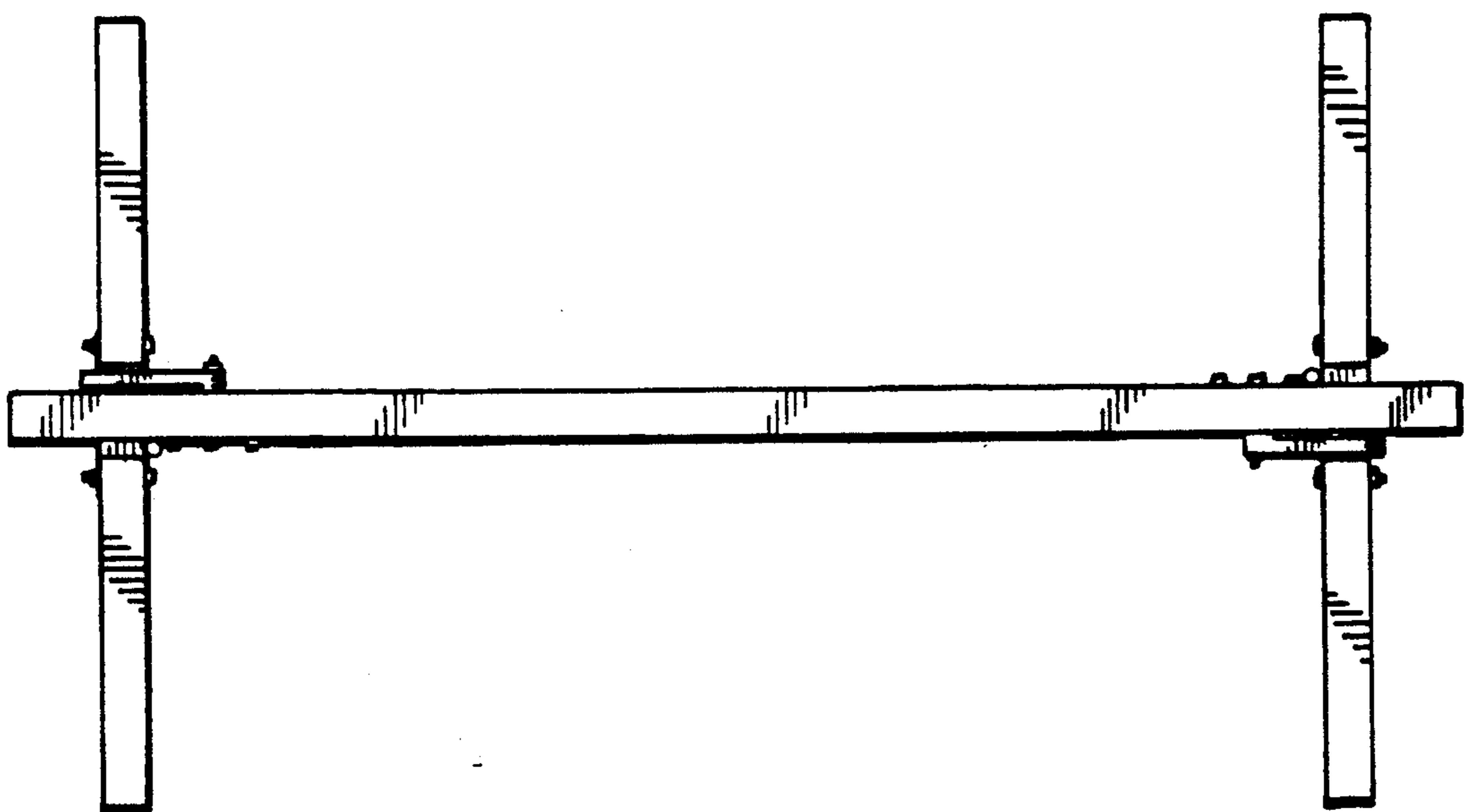


FIG. 9

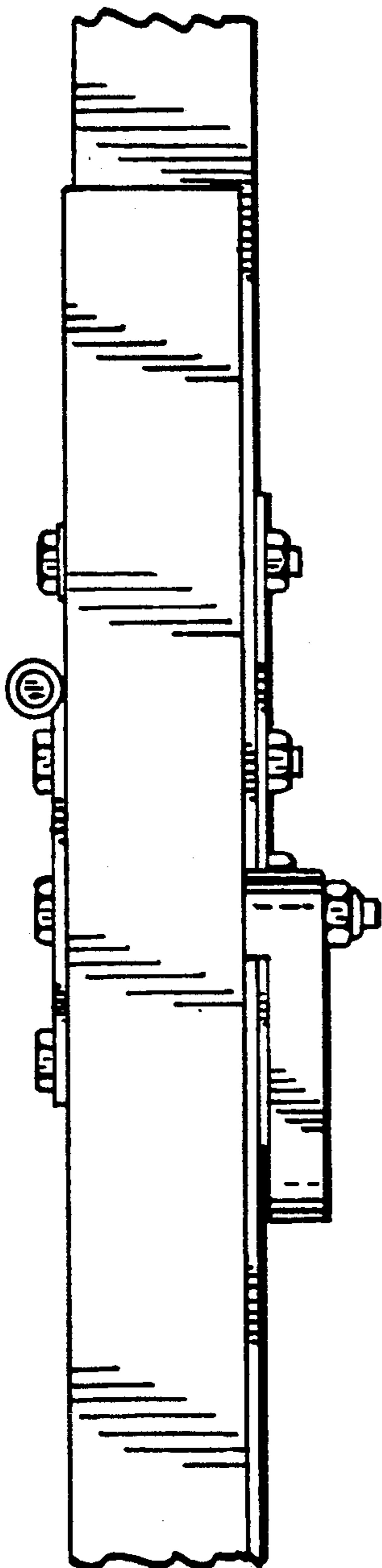


FIG. 10



FIG. 11

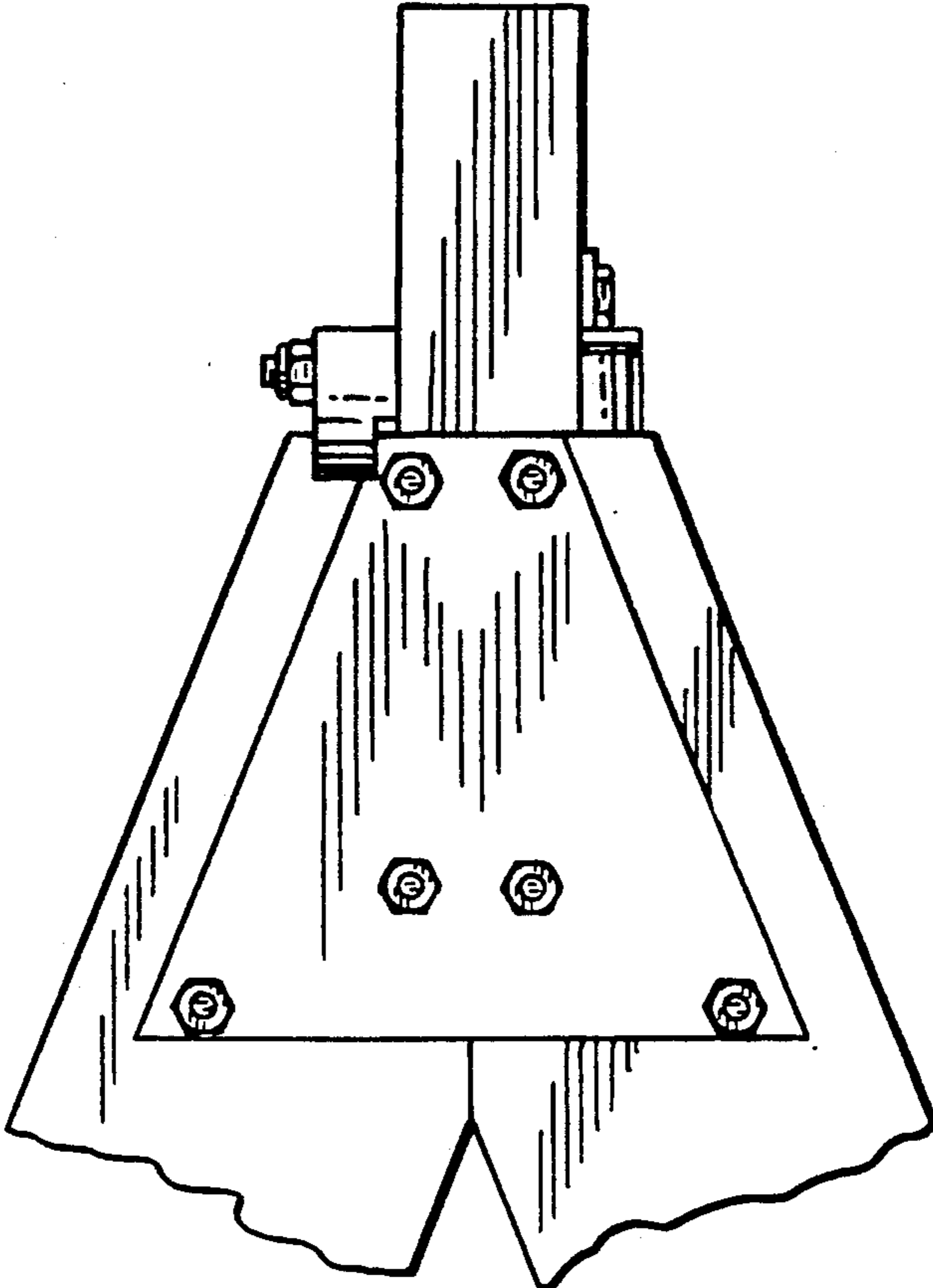


FIG. 12

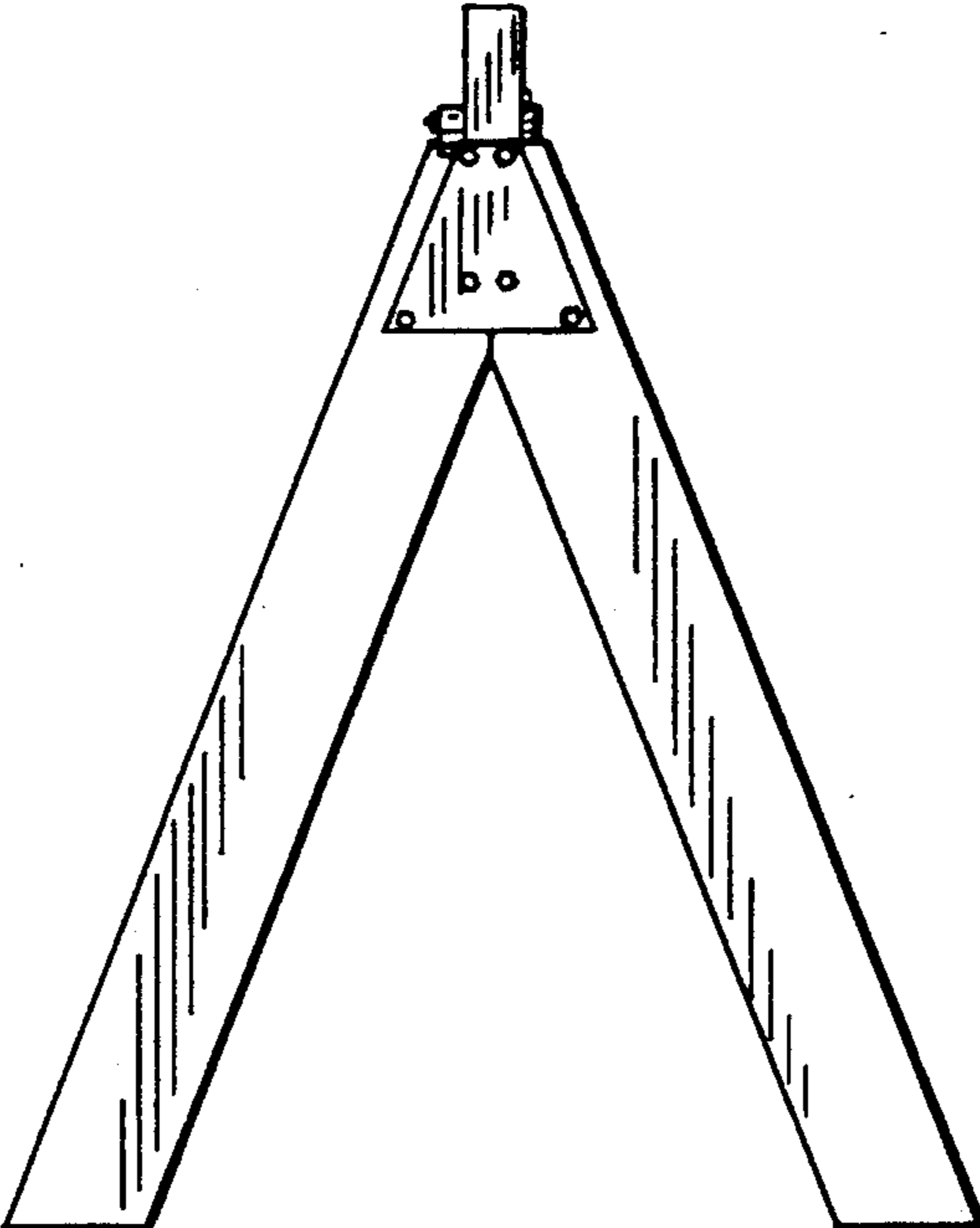


FIG. 13

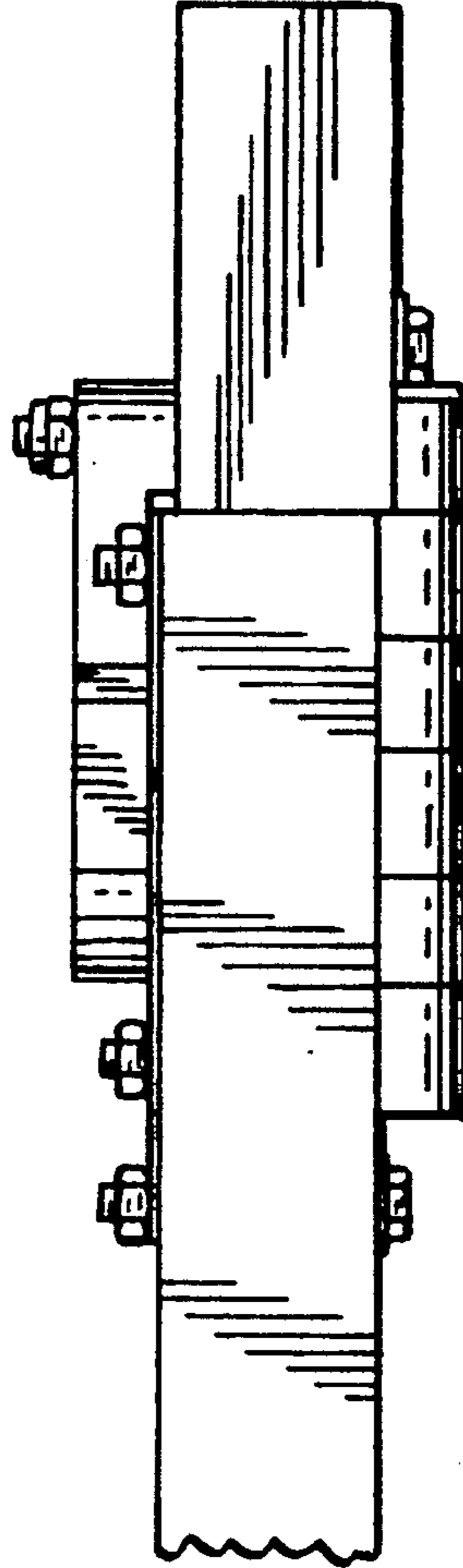


FIG. 14

