



US00D334805S

United States Patent [19]

[11] Patent Number: **Des. 334,805**

Ivey

[45] Date of Patent: **** Apr. 13, 1993**

[54] **MEDICAL WASTE CONTAINER**

[76] Inventor: **Kenneth R. Ivey, P.O. Box 10577,
Palm Desert, Calif. 92255-0577**

[**] Term: **14 Years**

[21] Appl. No.: **654,386**

[22] Filed: **Feb. 12, 1991**

[52] U.S. Cl. **D24/131; D34/7**

[58] Field of Search **D24/121, 131; 422/26,
422/27; 220/254, 335, 259, 908, 909, 910;
206/365, 366, 364, 370, 7; D31/1, 11; D9/430,
431**

4,978,028 12/1990 George et al. 220/908 X
5,096,114 3/1992 Higginbotham 206/366 X

FOREIGN PATENT DOCUMENTS

9101920 7/1989 PCT Int'l Appl. 220/908

Primary Examiner—Stella Reid
Assistant Examiner—Ian Simmons
Attorney, Agent, or Firm—Knobbe, Martens, Olson &
Bear

[57] CLAIM

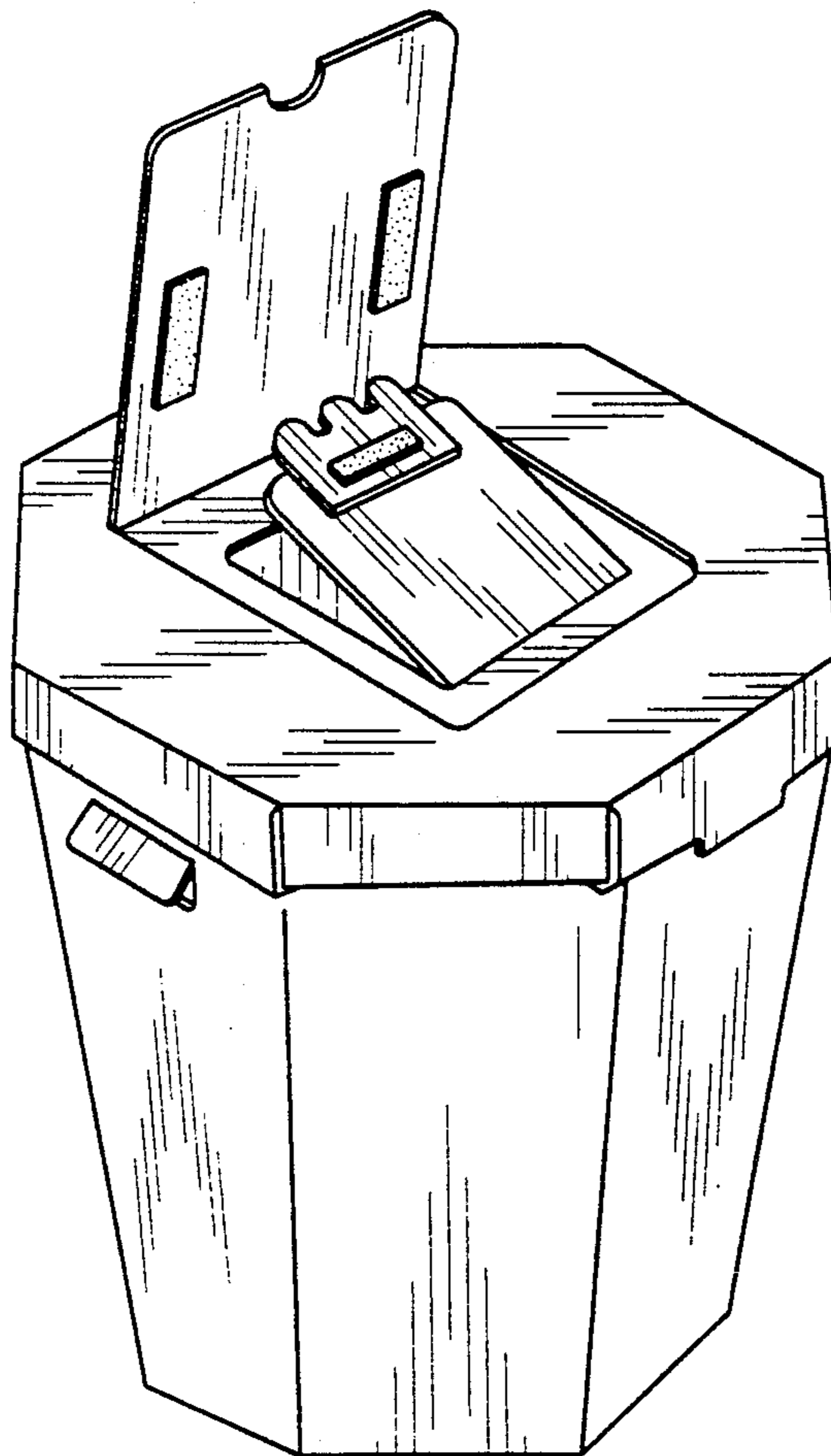
The ornamental design for a medical waste container, as shown and described.

DESCRIPTION

FIG. 1 is a front, top perspective view of a medical waste container showing my new design, with the lid in closed position;
FIG. 2 is a front, top and right side perspective view thereof showing the lid in an open position;
FIG. 3 is a front elevational view thereof, the rear elevational view being a mirror image thereto;
FIG. 4 is a side elevational view thereof, the opposite side elevational view being a mirror image thereto;
FIG. 5 is a top plan view thereof; and,
FIG. 6 is a bottom plan view thereof.

[56] **References Cited**
U.S. PATENT DOCUMENTS

D. 287,756	1/1987	Szablak et al.	D24/131
D. 294,992	3/1988	Bouge	D34/1
D. 325,259	4/1992	Anderson et al.	D24/224 X
D. 328,168	7/1992	Bartle	D34/1 X
3,204,849	9/1965	Vinney	220/403 X
4,674,676	6/1987	Sandel et al.	229/142
4,863,052	9/1989	Lambert	206/366 X
4,874,103	10/1989	Quisen et al.	206/366 X
4,886,164	12/1989	Stein et al.	206/366
4,890,733	1/1990	Anderson	206/366 X



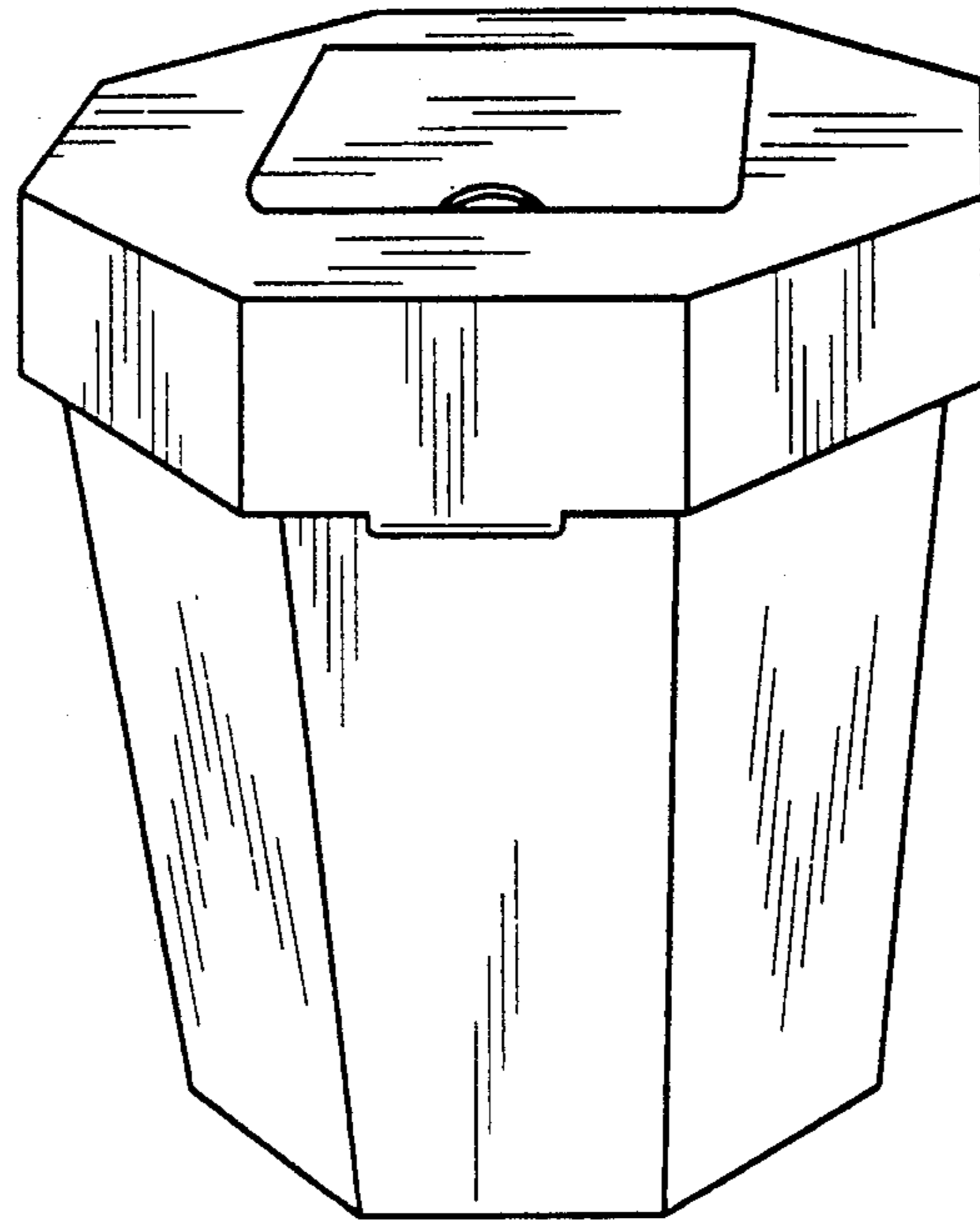
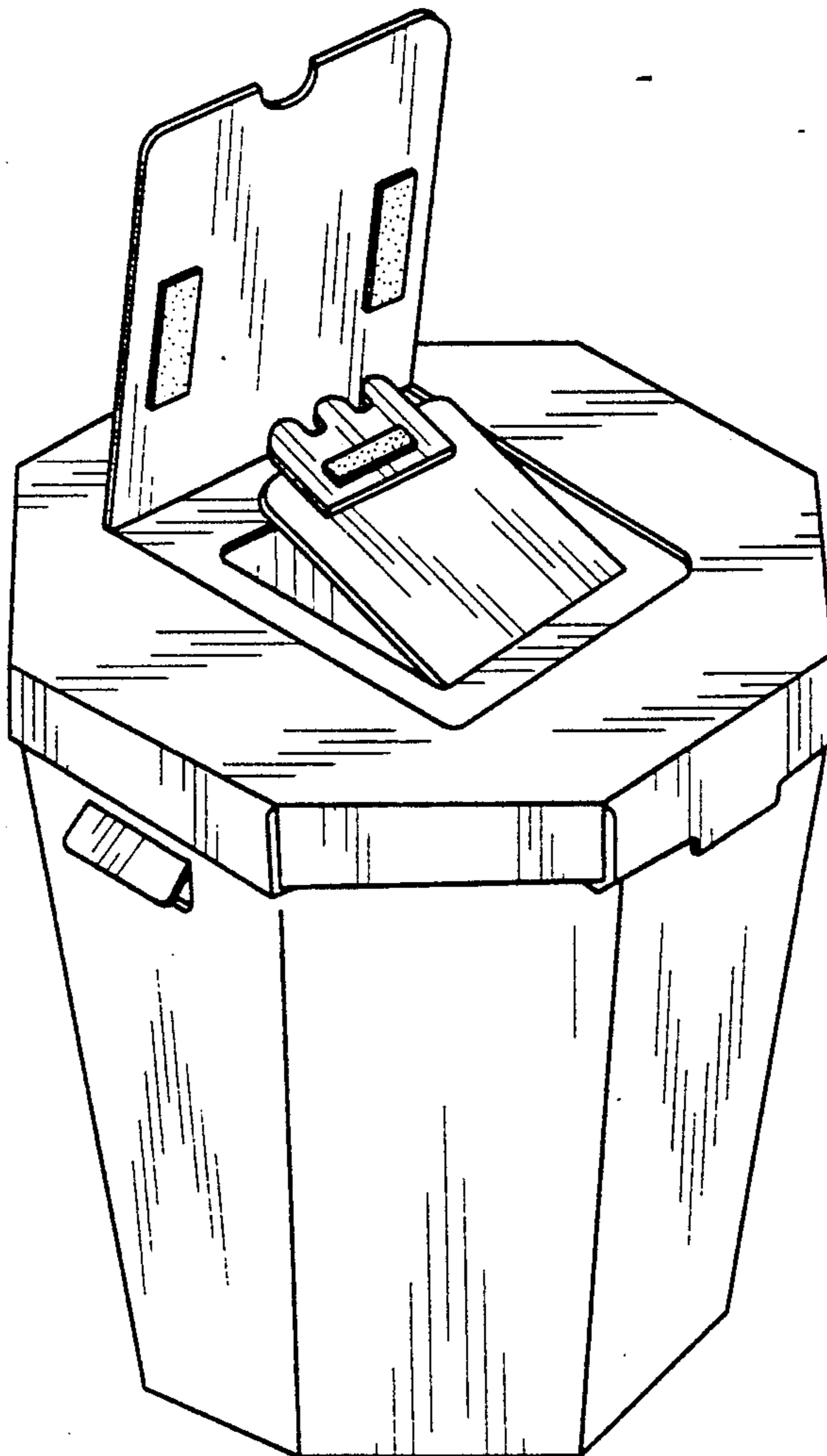


FIG. 1

FIG. 2



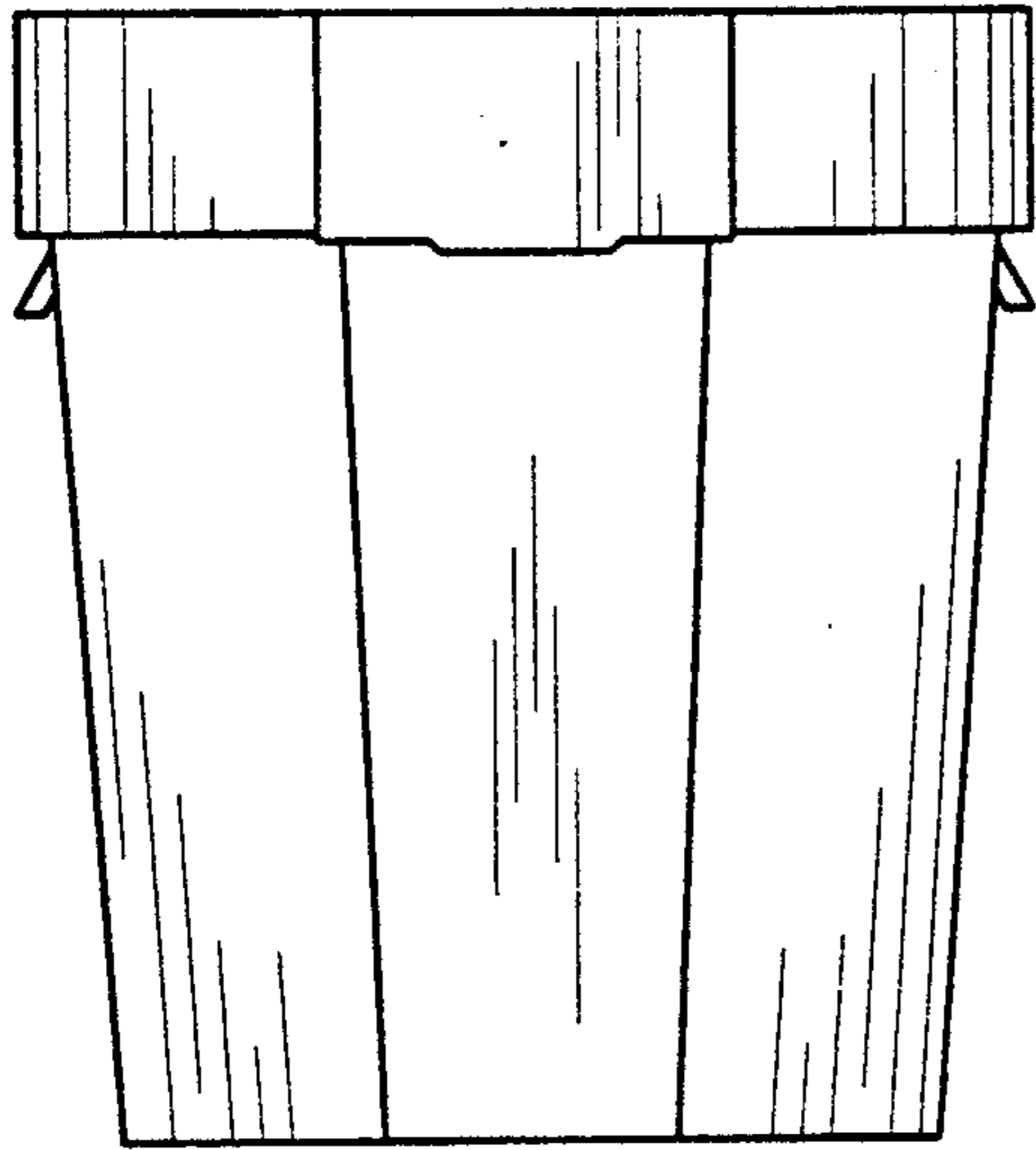


FIG. 3

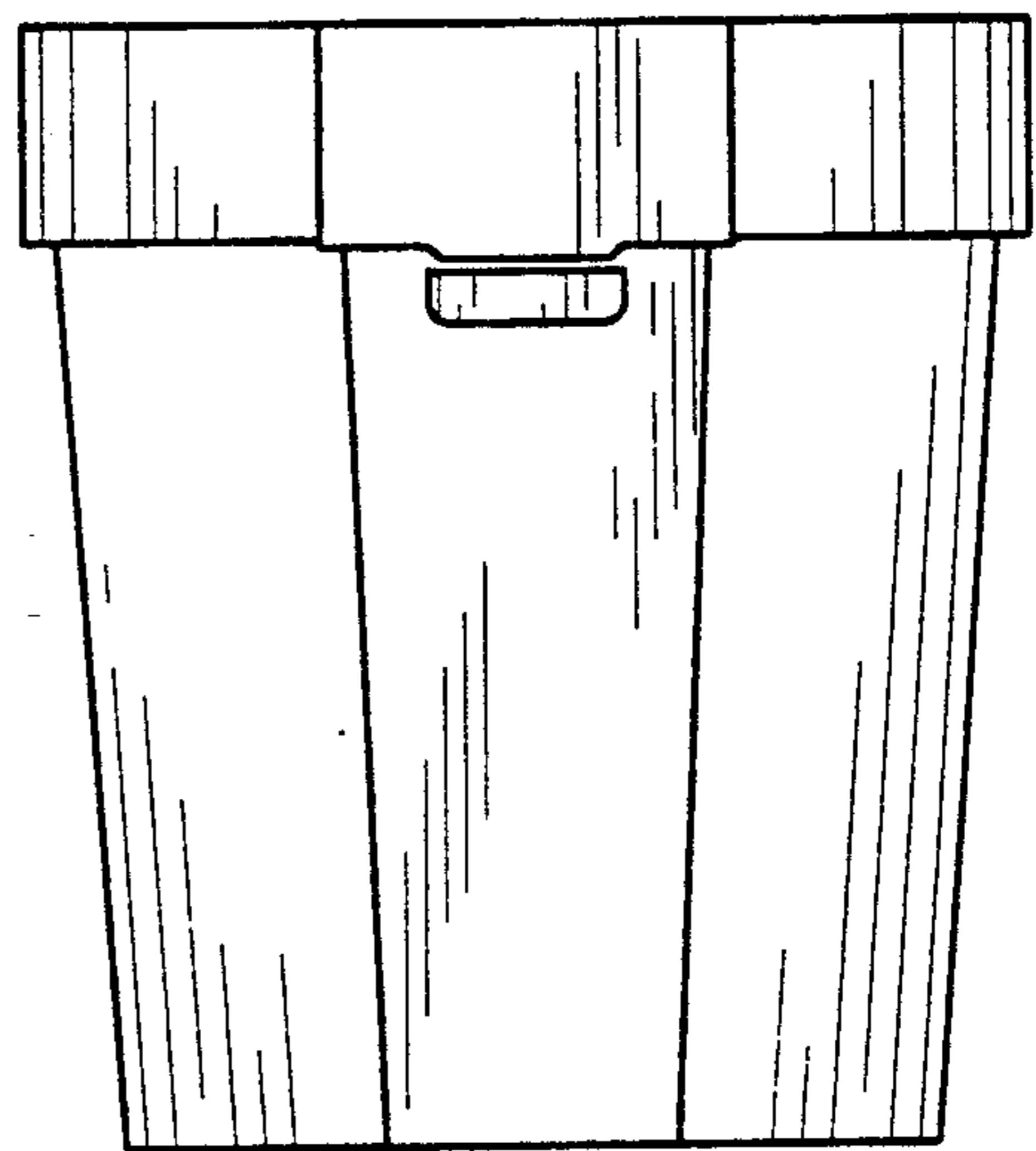


FIG. 4

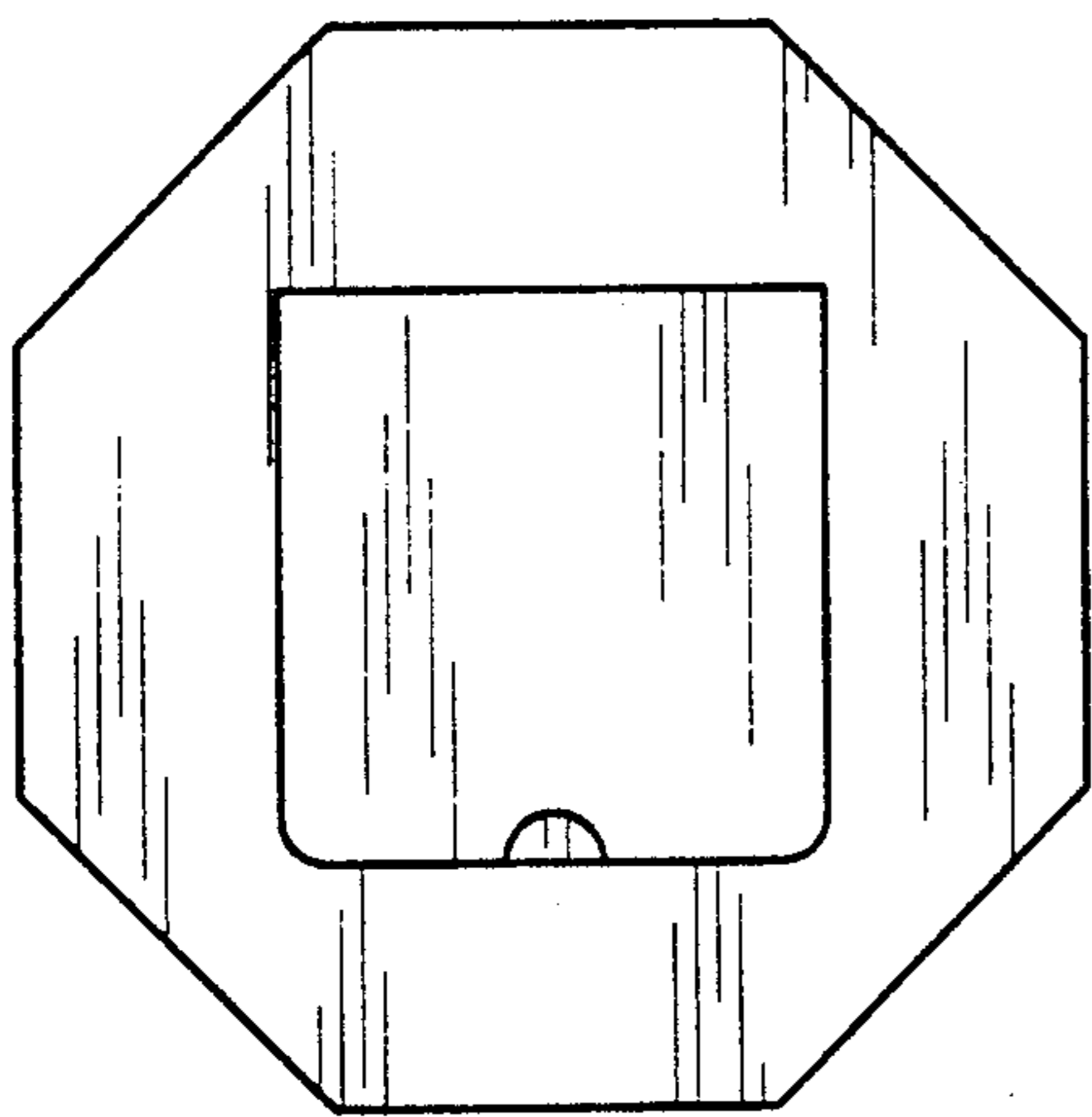


FIG. 5

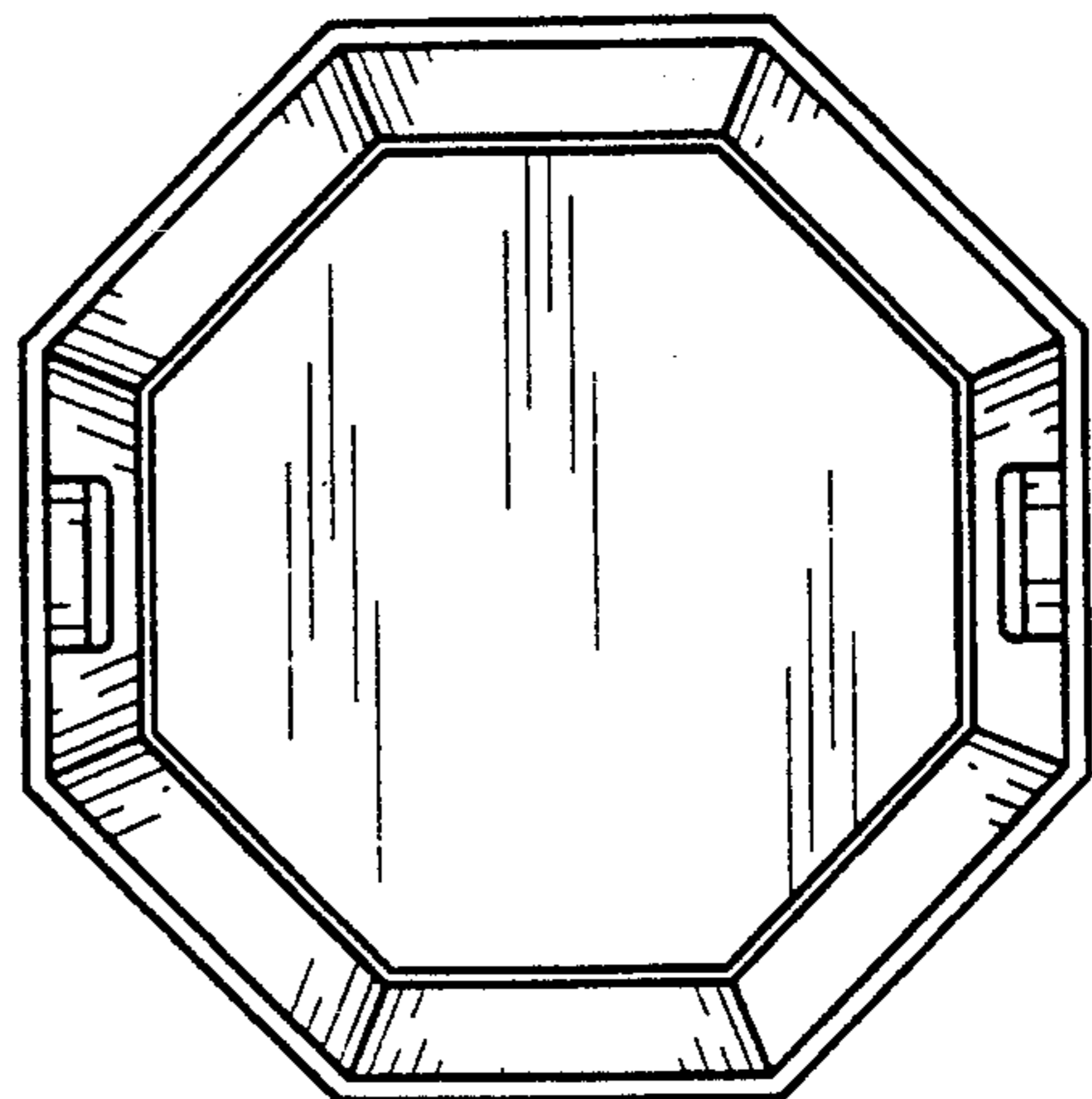


FIG. 6