



US00D334804S

# United States Patent [19]

[11] Patent Number: **Des. 334,804**

Jones et al.

[45] Date of Patent: **\*\* Apr. 13, 1993**

[54] **SPECIMEN CUP HOLDER**

[76] Inventors: **Timothy B. Jones**, 200 15th St. - No. 134, Edmond, Okla. 73013; **Robert D. Jones**; **Lori D. Jones**, both of 1452 N. Washington, Ardmore, Okla. 73401

[\*\*] Term: **14 Years**

[21] Appl. No.: **676,725**

[22] Filed: **Mar. 28, 1991**

[52] U.S. Cl. .... **D24/128; D24/127; D7/620**

[58] Field of Search ..... **D24/121, 122, 123, 128, D24/227, 228; D1/123, 124; D7/620, 611; 126/82; 248/311.2, 315; 446/15, 16, 21, 20; 24/17 AP, 30.5 R, 30.5 P; 128/760, 761, 763**

[56] **References Cited**

**U.S. PATENT DOCUMENTS**

D. 256,279	8/1980	Huggins	.....	D7/620 X
D. 306,648	4/1990	Jones et al.	.....	D24/128
2,628,054	3/1953	Fazakerley	.....	248/311.20 R
5,058,787	10/1991	Choy	.....	248/312.1 X

**OTHER PUBLICATIONS**

The Lancet Publication Jan. 3, 1970 FIG. #2 lower right "Urinal lid with pommel rack and forward placed cup" p. 22.

Primary Examiner—Stella Reid

Assistant Examiner—I. Simmons

Attorney, Agent, or Firm—Glen M. Burdick

[57] **CLAIM**

The ornamental design for a specimen cup holder, as shown and described.

**DESCRIPTION**

FIG. 1 is a perspective view of a specimen cup holder showing our new design, with a specimen cup in broken lines for illustrative purposes only and forming no part of the claimed design;

FIG. 2 is a rear elevational view thereof;

FIG. 3 is a front elevational view thereof;

FIG. 4 is a side elevational view thereof;

FIG. 5 is a side elevational view thereof, opposite that shown in FIG. 4;

FIG. 6 is a top plan view thereof;

FIG. 7 is a bottom plan view thereof;

FIG. 8 is a perspective view of a second embodiment of the specimen cup holder shown in FIG. 1, with a specimen cup in broken lines for illustrative purposes only and forming no part of the claimed design;

FIG. 9 is a rear elevational view thereof;

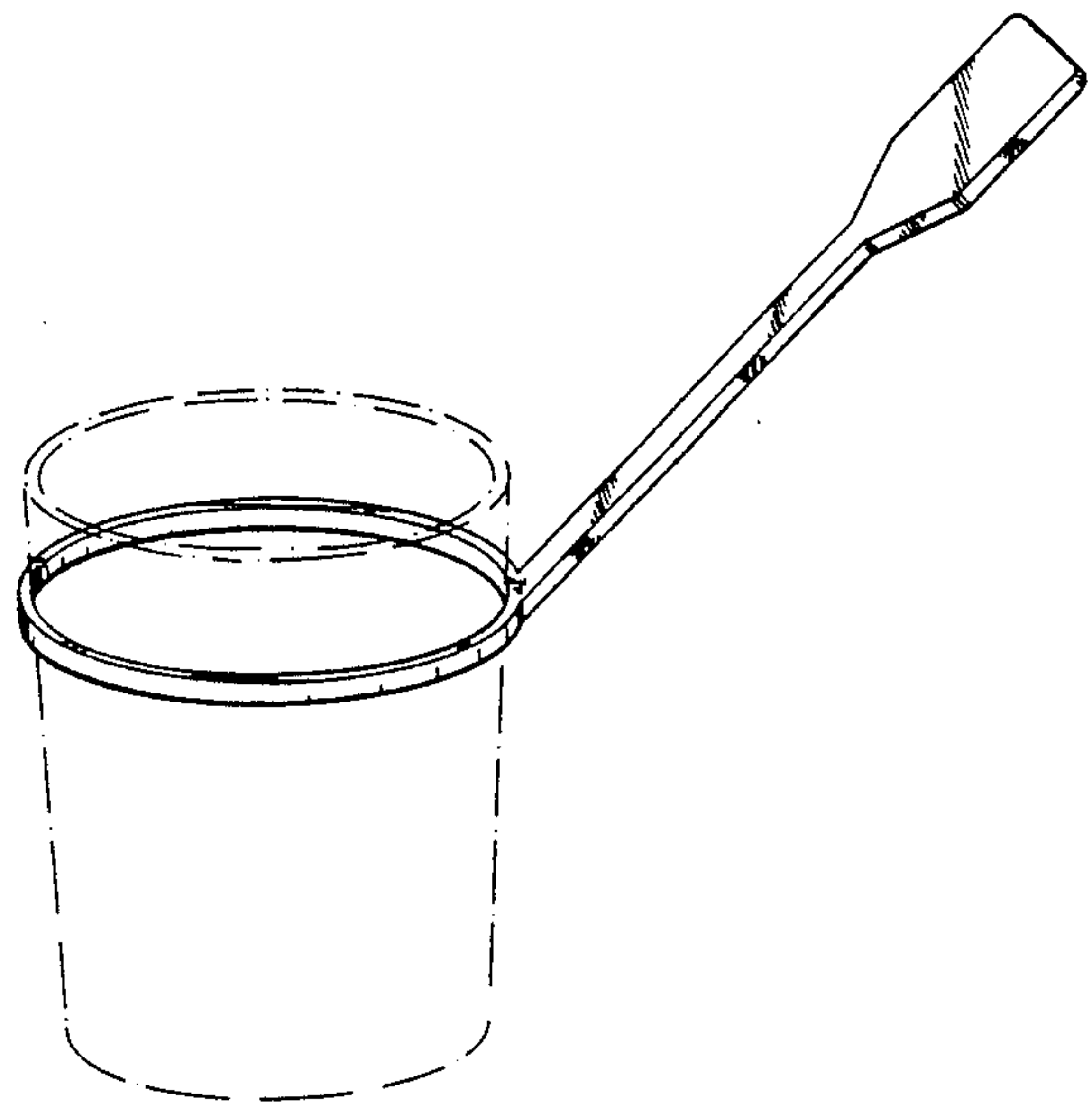
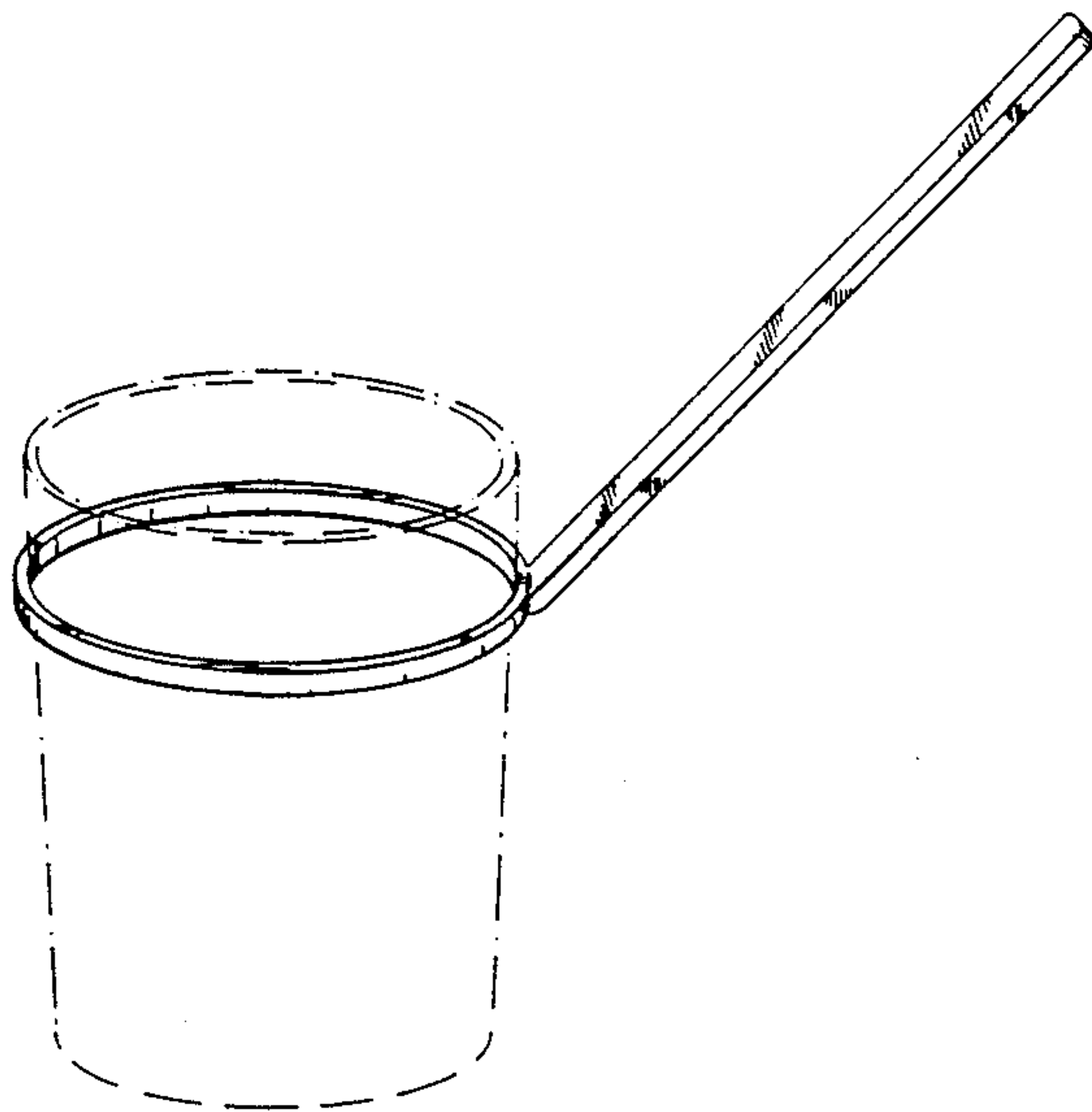
FIG. 10 is a front elevational view thereof;

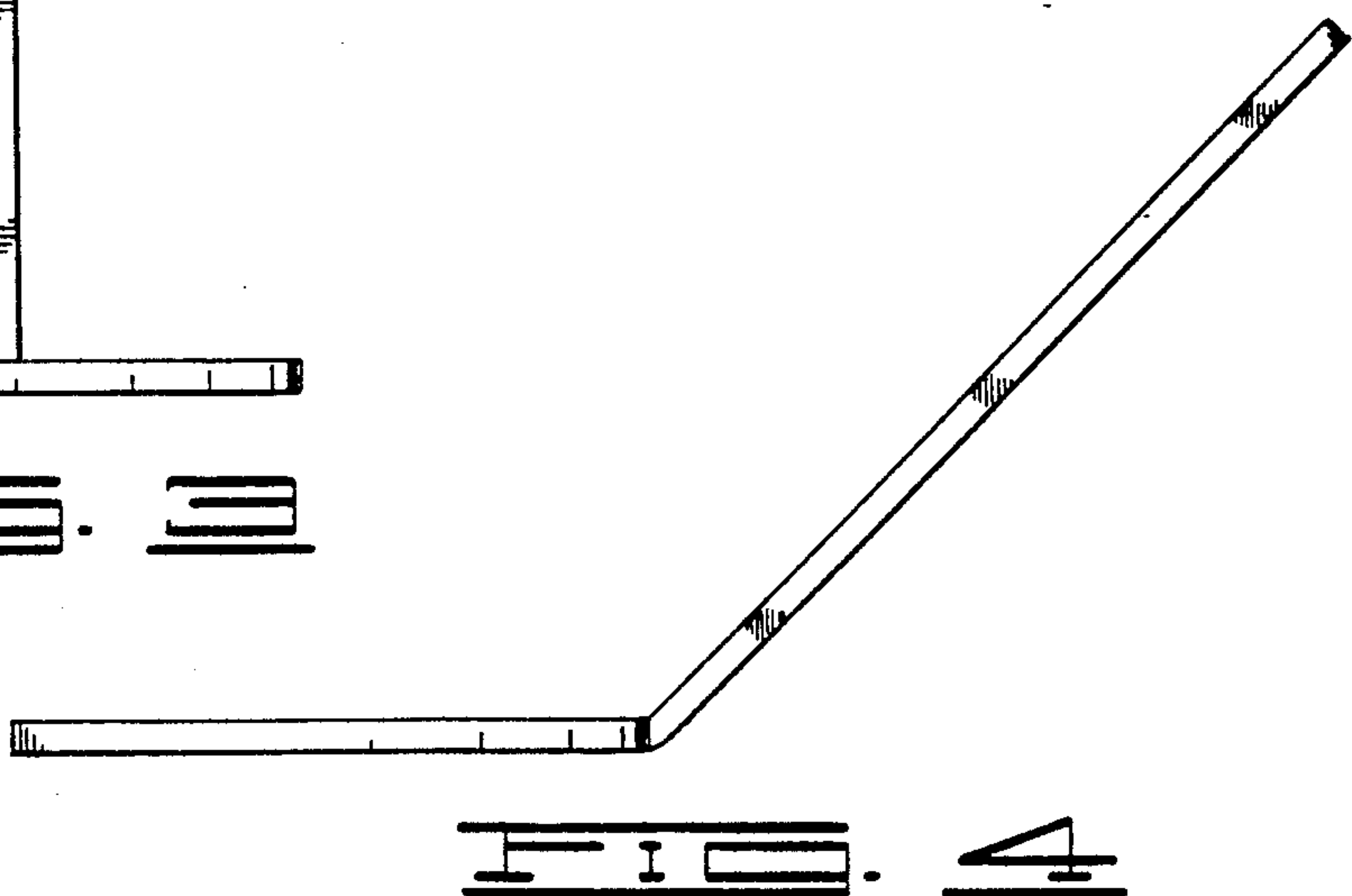
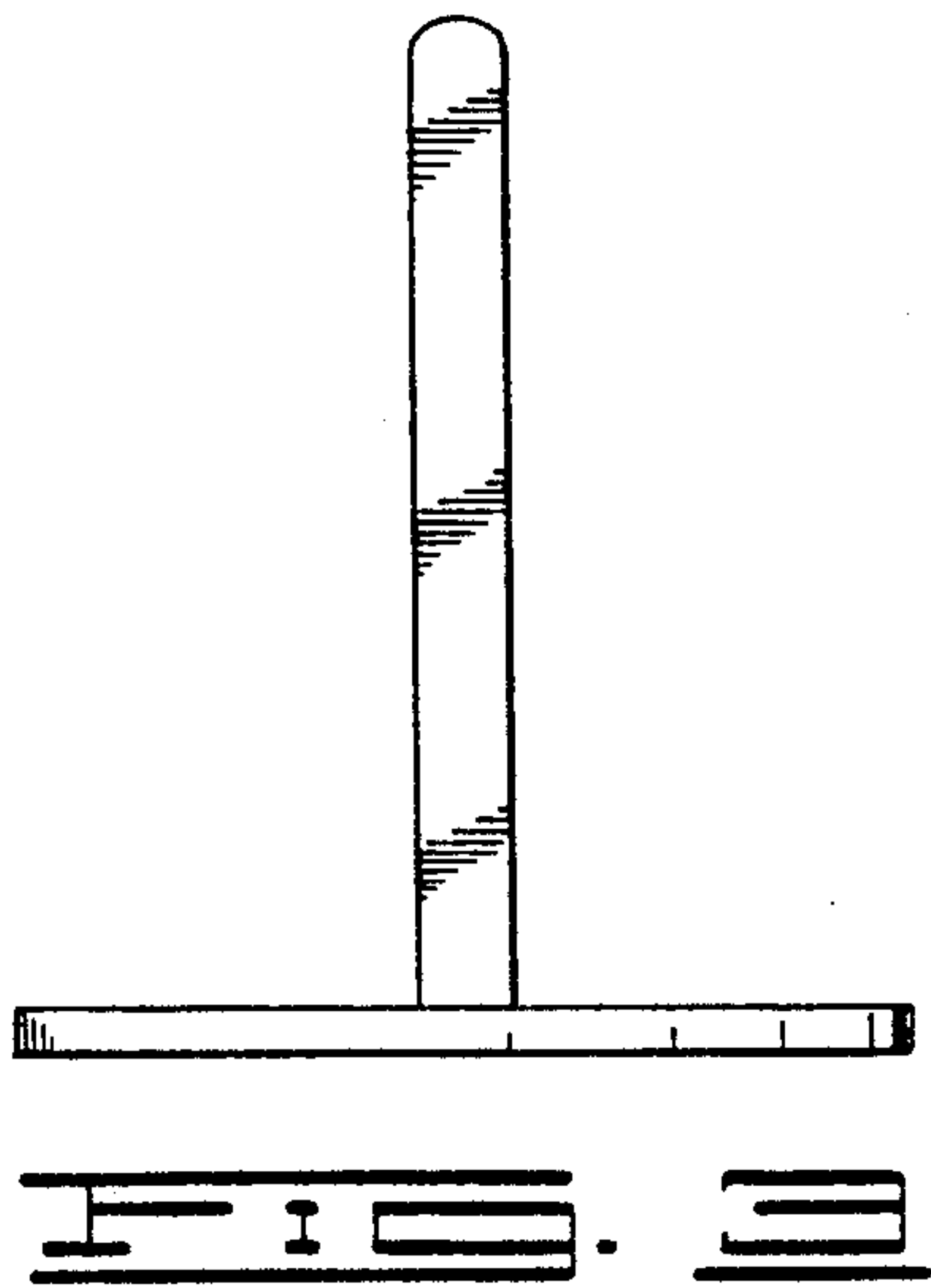
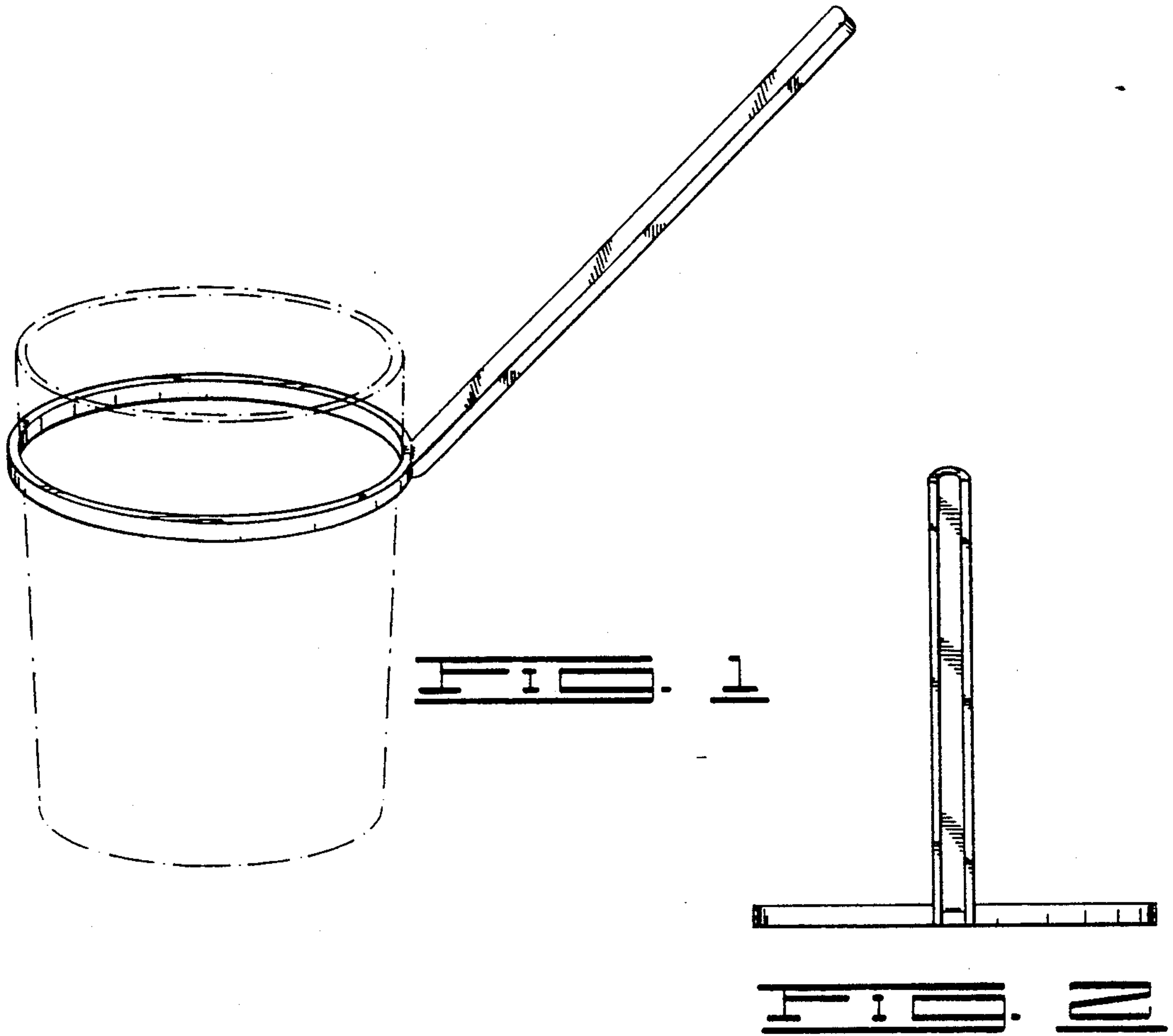
FIG. 11 is a side elevational view thereof;

FIG. 12 is a side elevational view thereof, opposite that shown in FIG. 11;

FIG. 13 is a top plan view thereof; and,

FIG. 14 is a bottom plan view thereof.





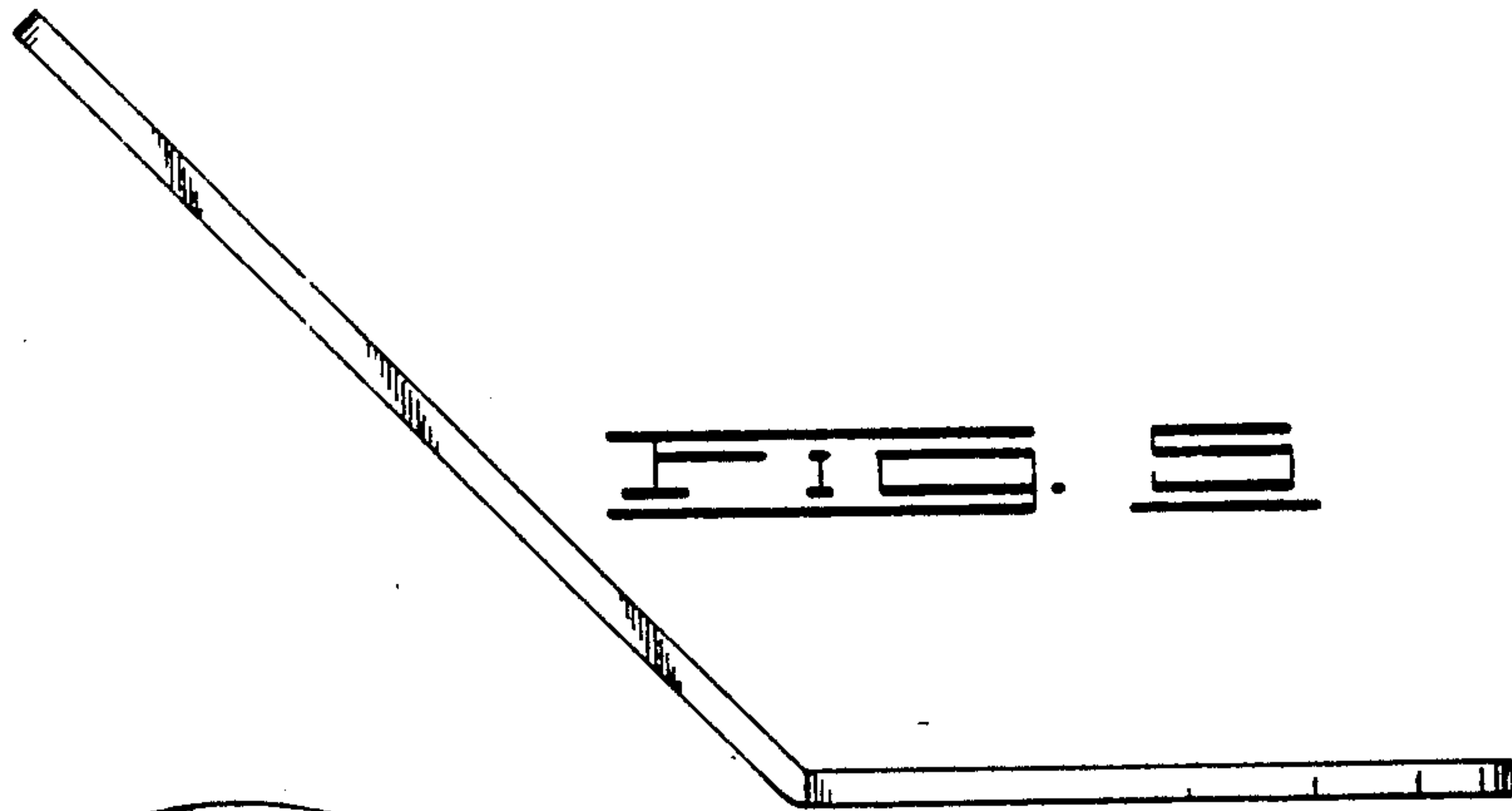


FIG. 5

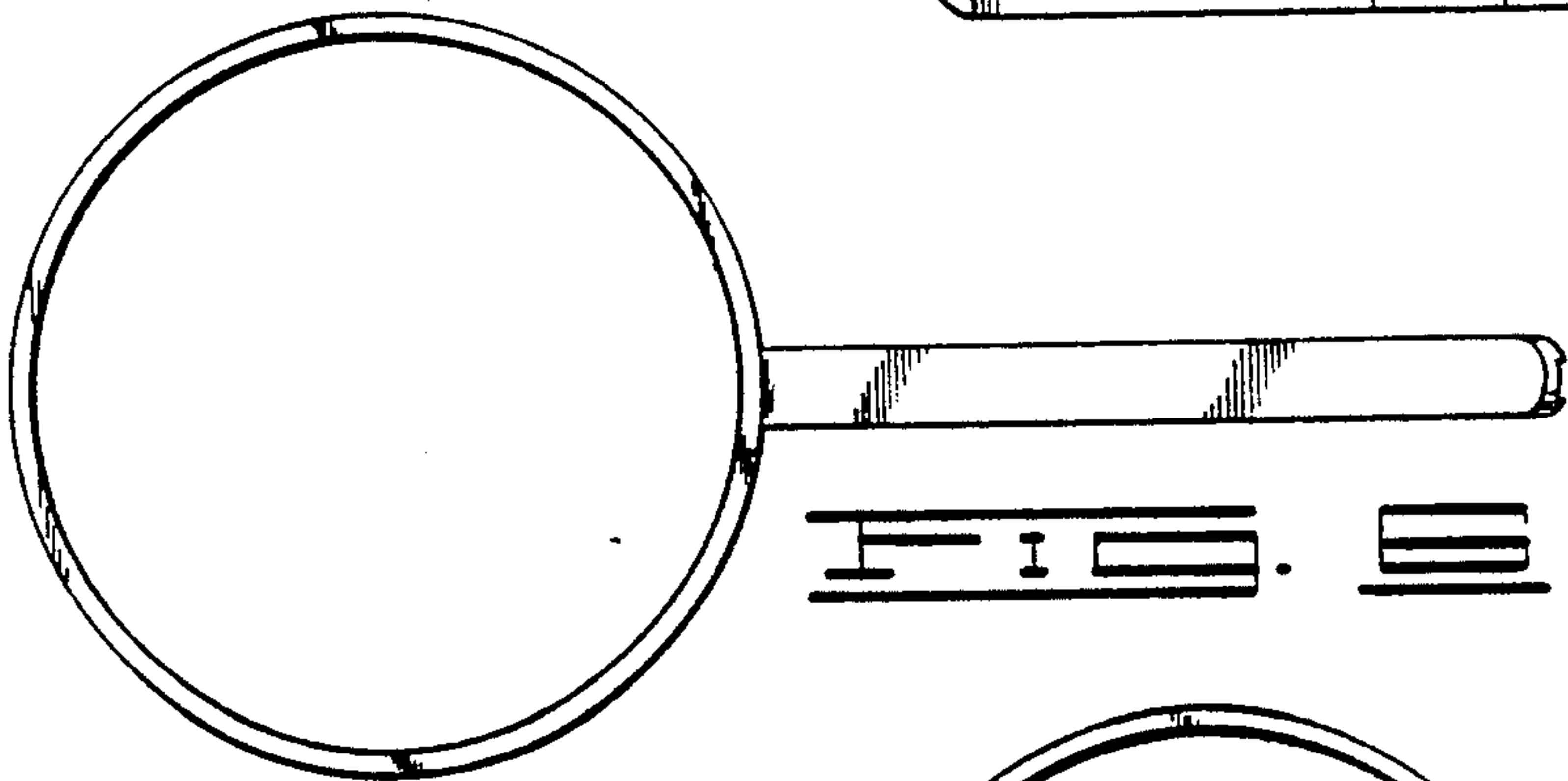


FIG. 6

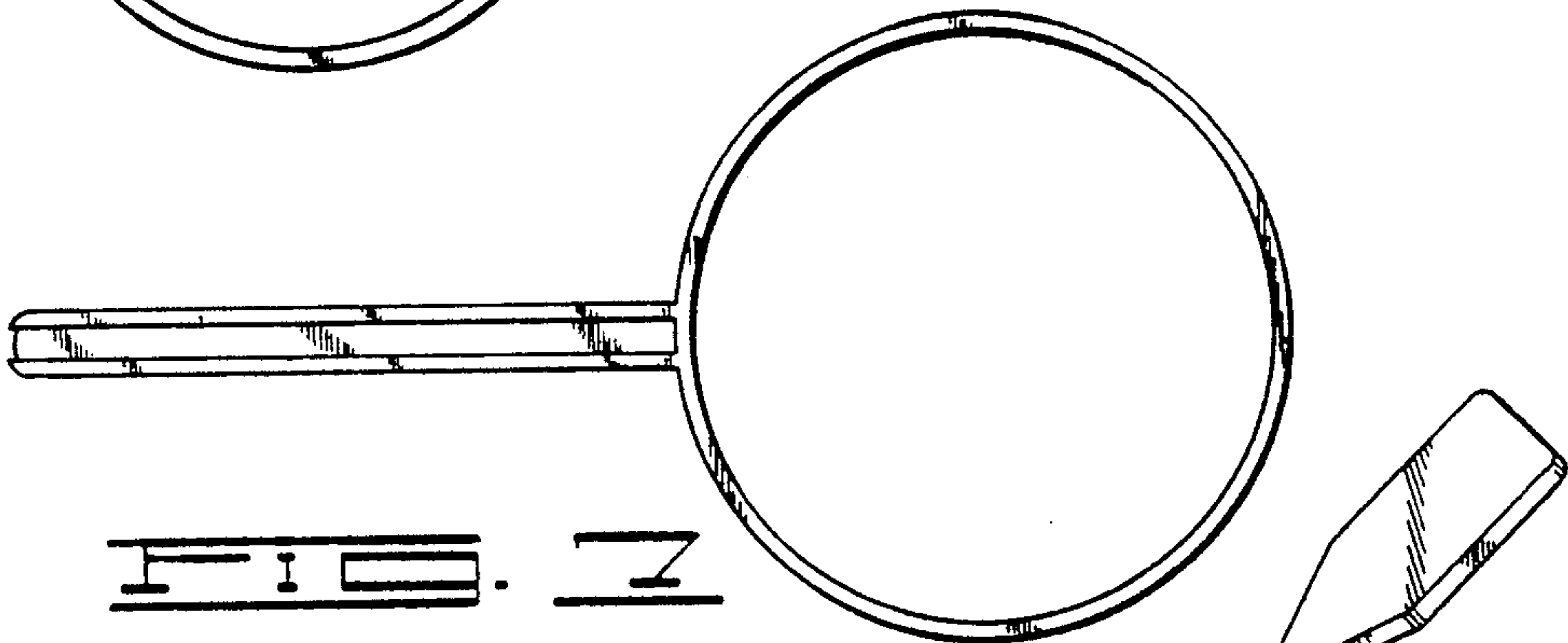


FIG. 7

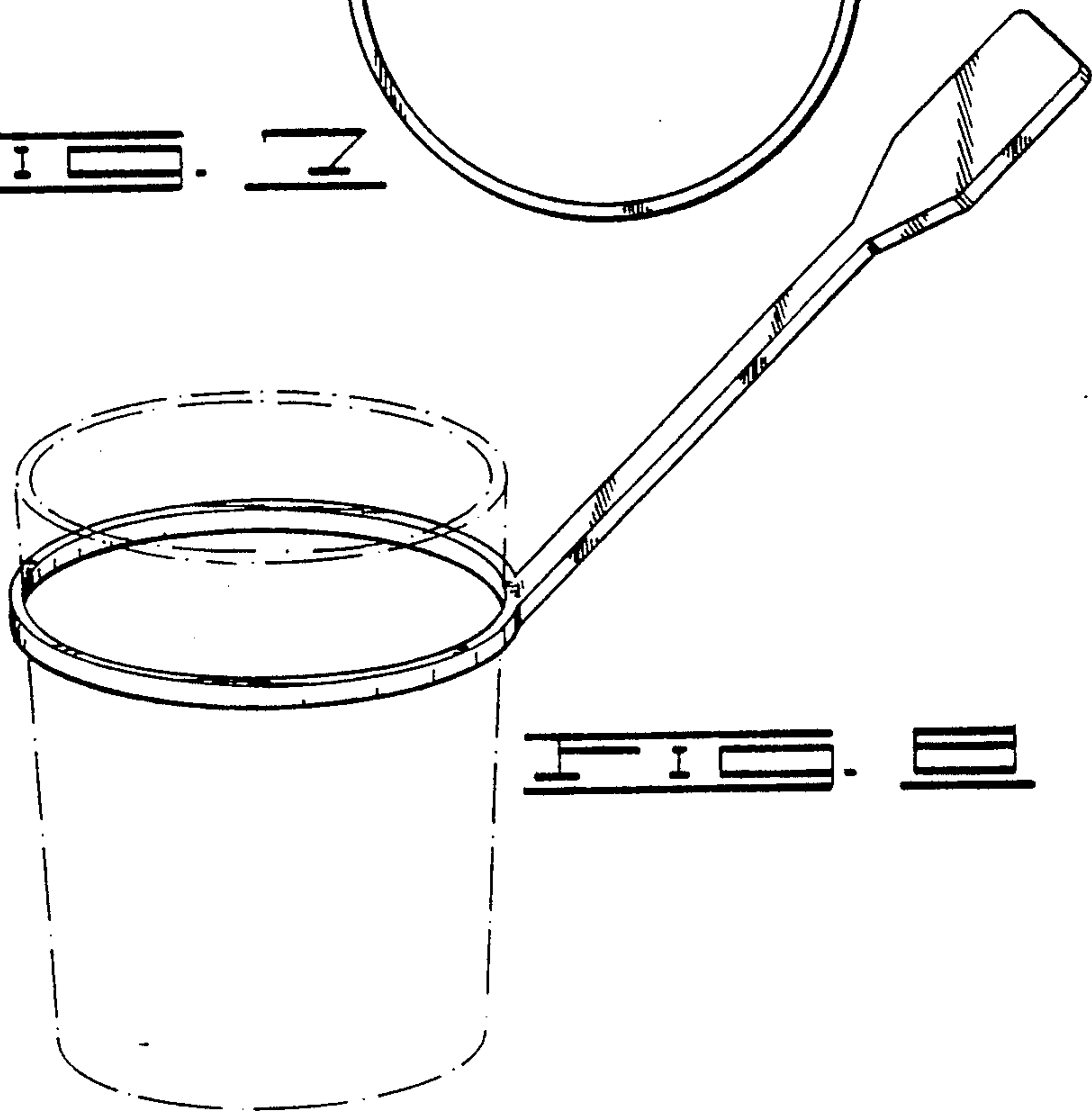


FIG. 8

