



US00D334803S

United States Patent [19]
Discko, Jr.

[11] **Patent Number: Des. 334,803**
[45] **Date of Patent: ** Apr. 13, 1993**

[54] **DENTAL SYRINGE TIP**
[75] **Inventor: John Discko, Jr., Hamden, Conn.**
[73] **Assignee: Centrix, Inc., Shelton, Conn.**
[**] **Term: 14 Years**
[21] **Appl. No.: 723,539**
[22] **Filed: Jul. 1, 1991**
[52] **U.S. Cl. D24/112**
[58] **Field of Search D24/111-114,**
D24/176-177; 433/80-83, 87-90

Primary Examiner—Wallace R. Burke
Assistant Examiner—M. H. Tung
Attorney, Agent, or Firm—Paul A. Fattibene; Arthur T. Fattibene

[57] **CLAIM**

The ornamental design for a dental syringe tip, as shown and described.

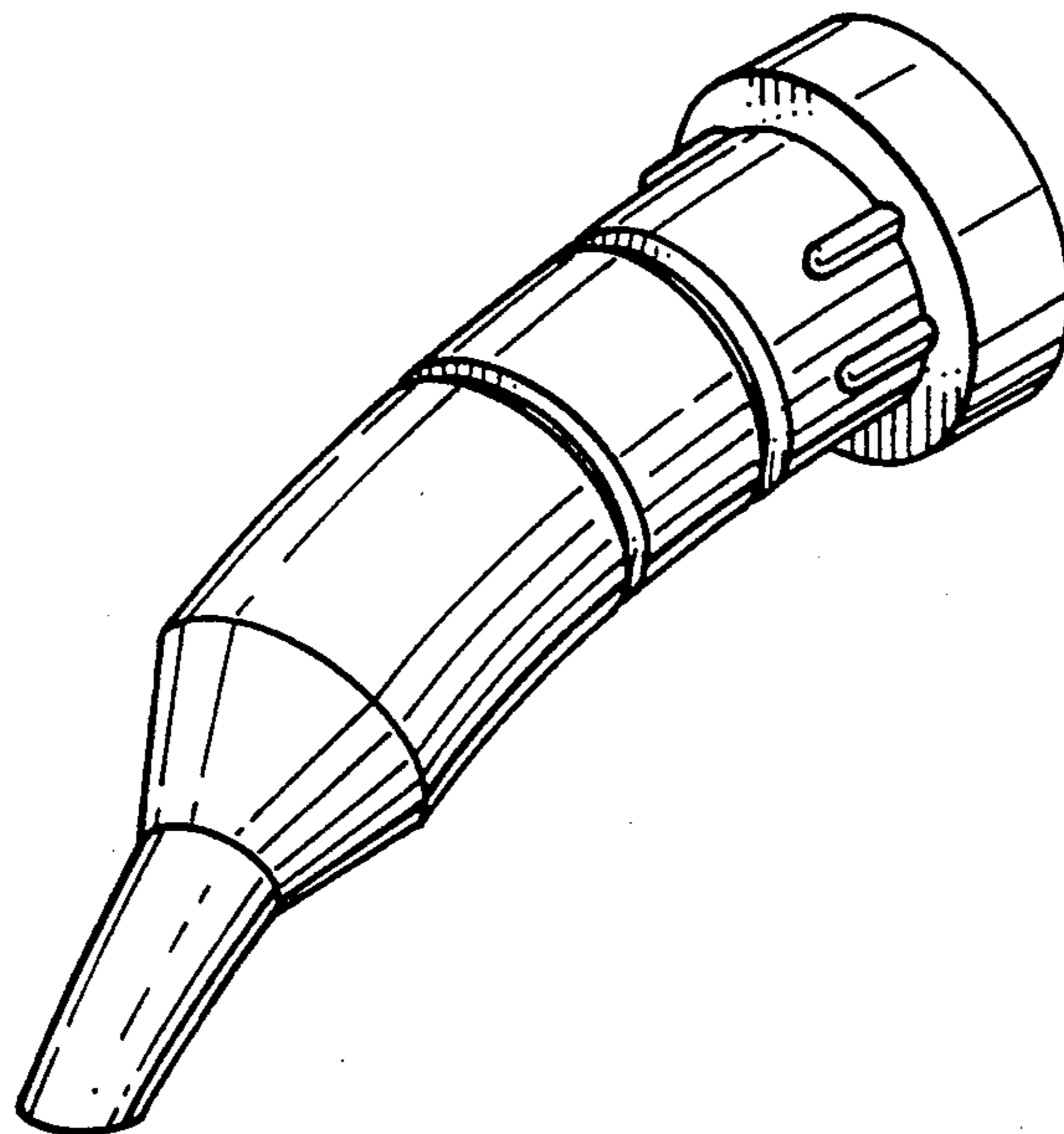
DESCRIPTION

FIG. 1 is a left, front perspective view of a dental syringe tip showing my new design;
FIG. 2 is a right side elevational view thereof, the other side being a mirror image;
FIG. 3 is a top plan view thereof;
FIG. 4 is a bottom plan view thereof;
FIG. 5 is a front elevational view thereof;
FIG. 6 is a rear elevational view thereof; and,
FIG. 7 is a left, front perspective view of a second embodiment thereof, the second embodiment is identical to the original embodiment except for the transparent surface.

[56] **References Cited**

U.S. PATENT DOCUMENTS

D. 224,655	8/1972	Dragan	D24/112
D. 286,570	11/1986	Williams	D24/112 X
D. 292,825	11/1987	Dragan	D24/112
D. 315,956	4/1991	Dragan	D24/112
4,768,954	9/1988	Dragan	433/90
4,969,816	11/1990	Drumm	433/90



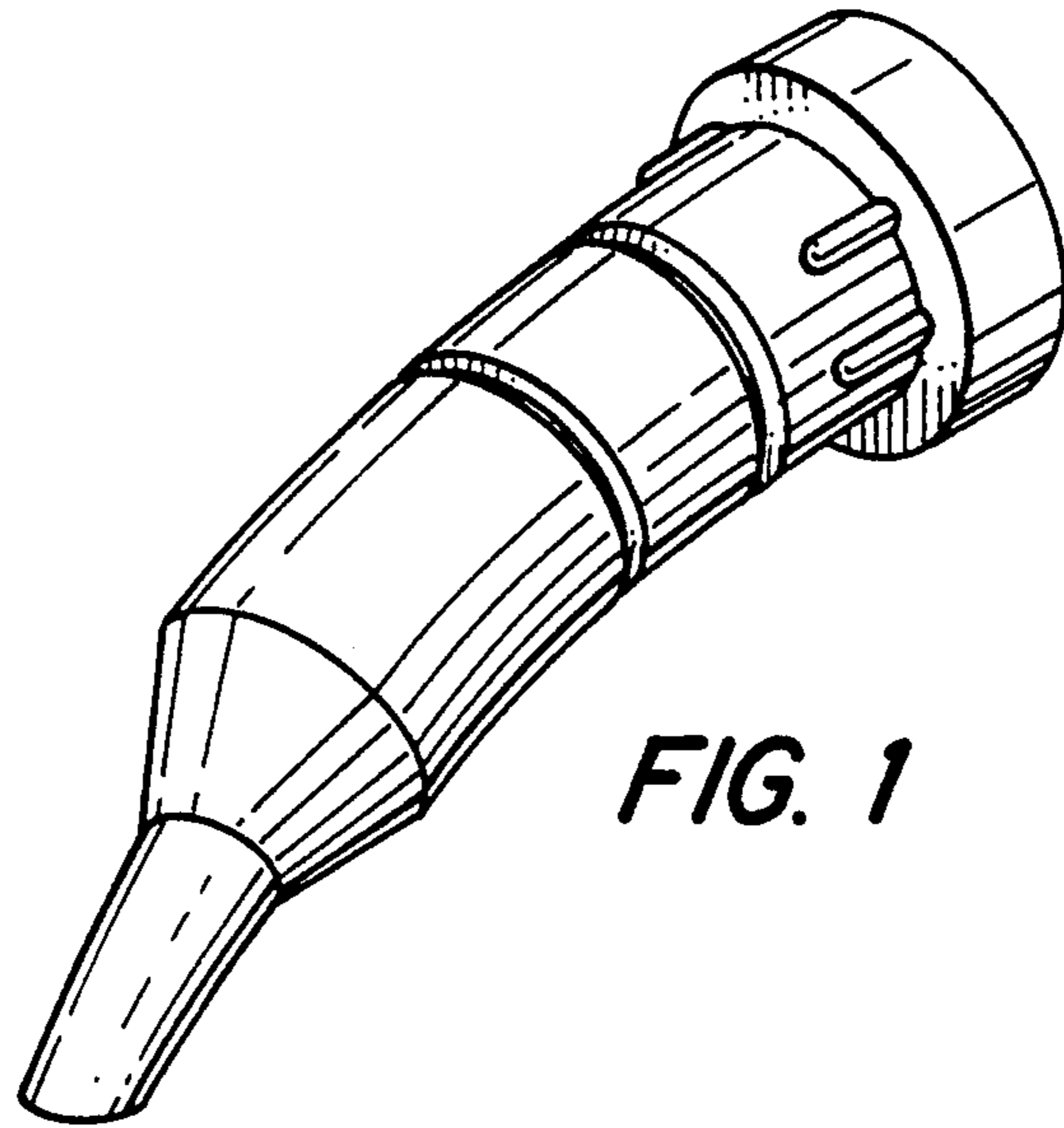


FIG. 1

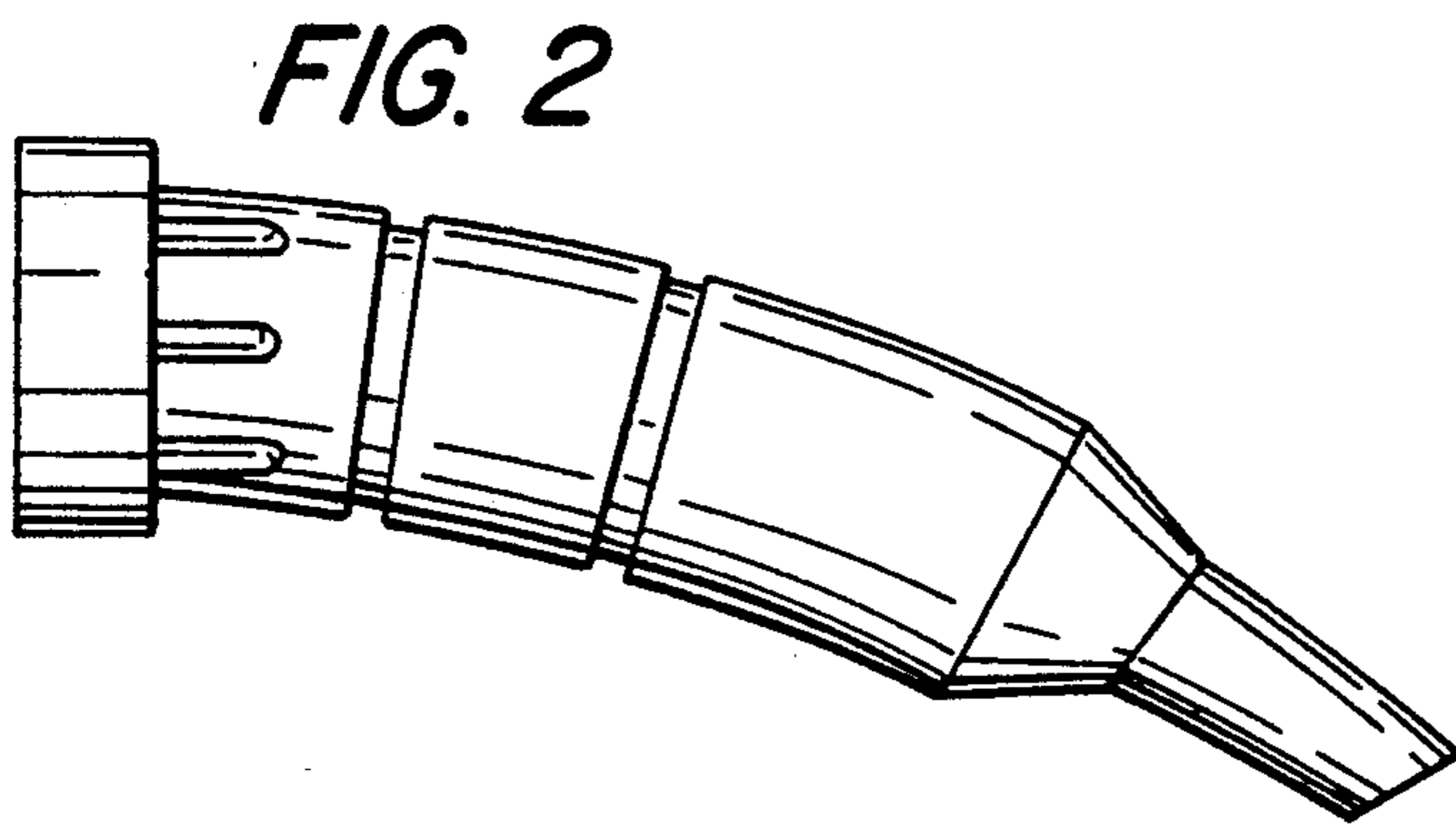


FIG. 2

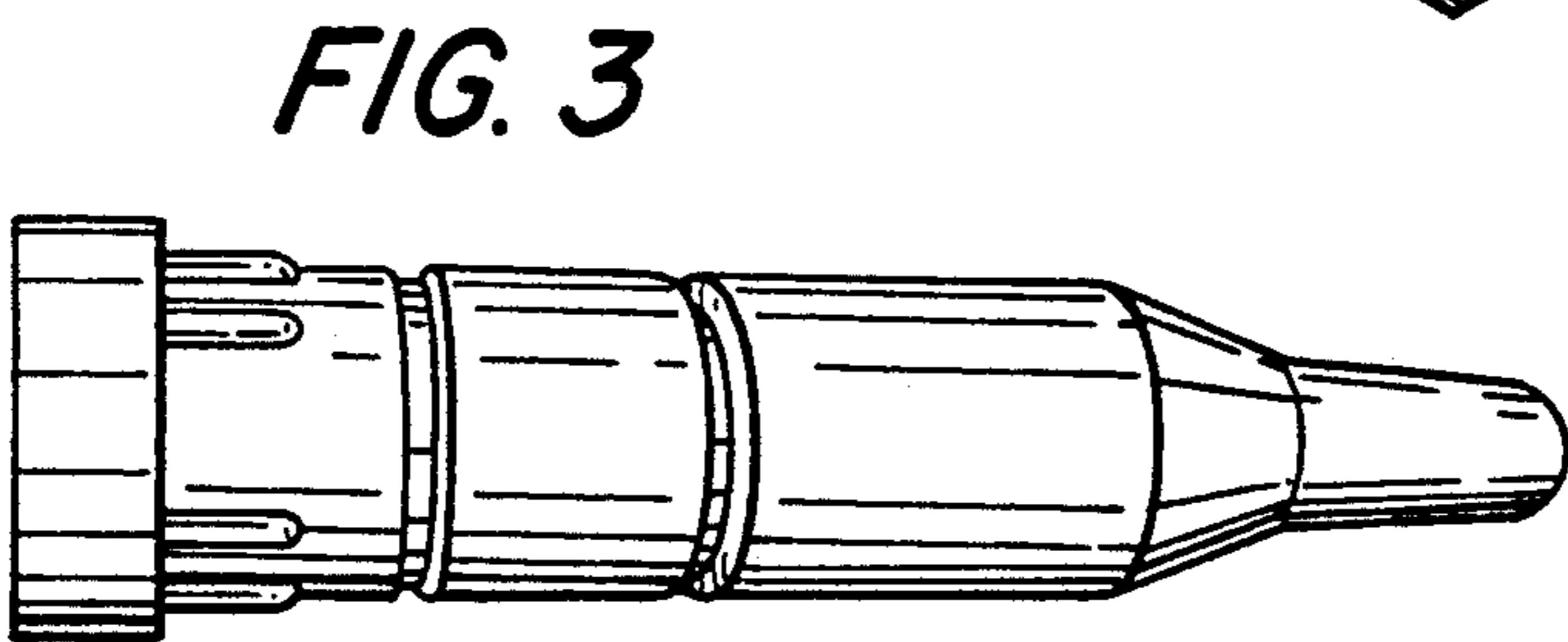


FIG. 3

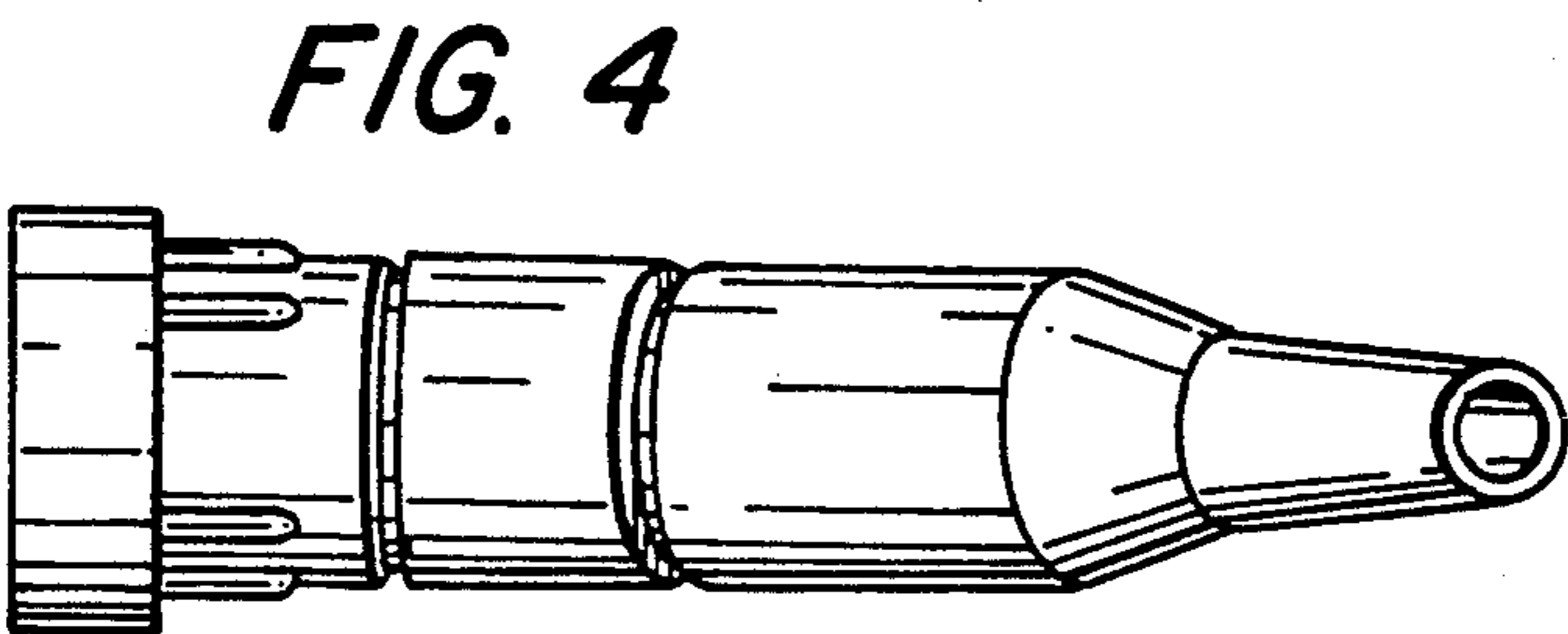


FIG. 4

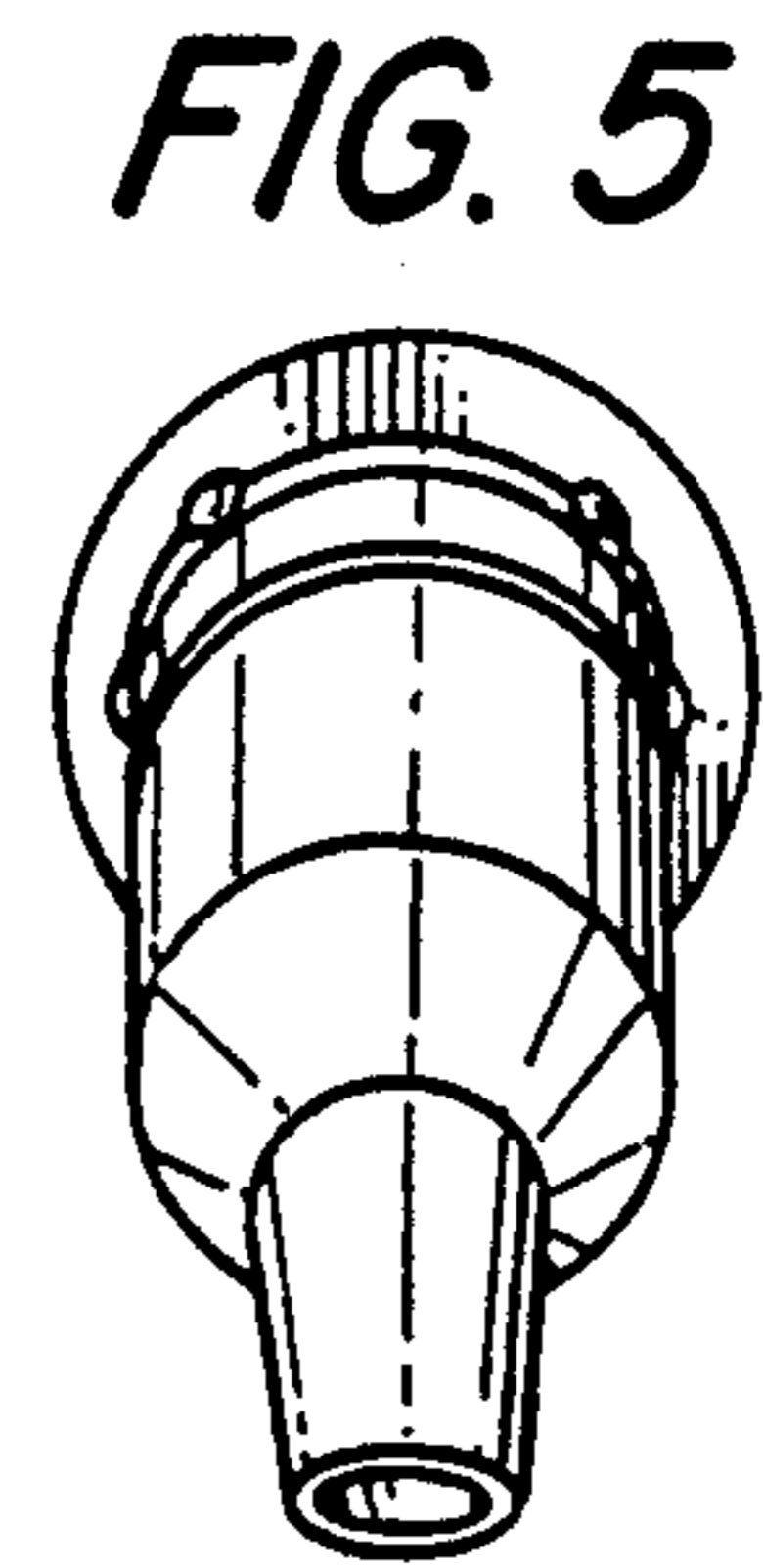


FIG. 5

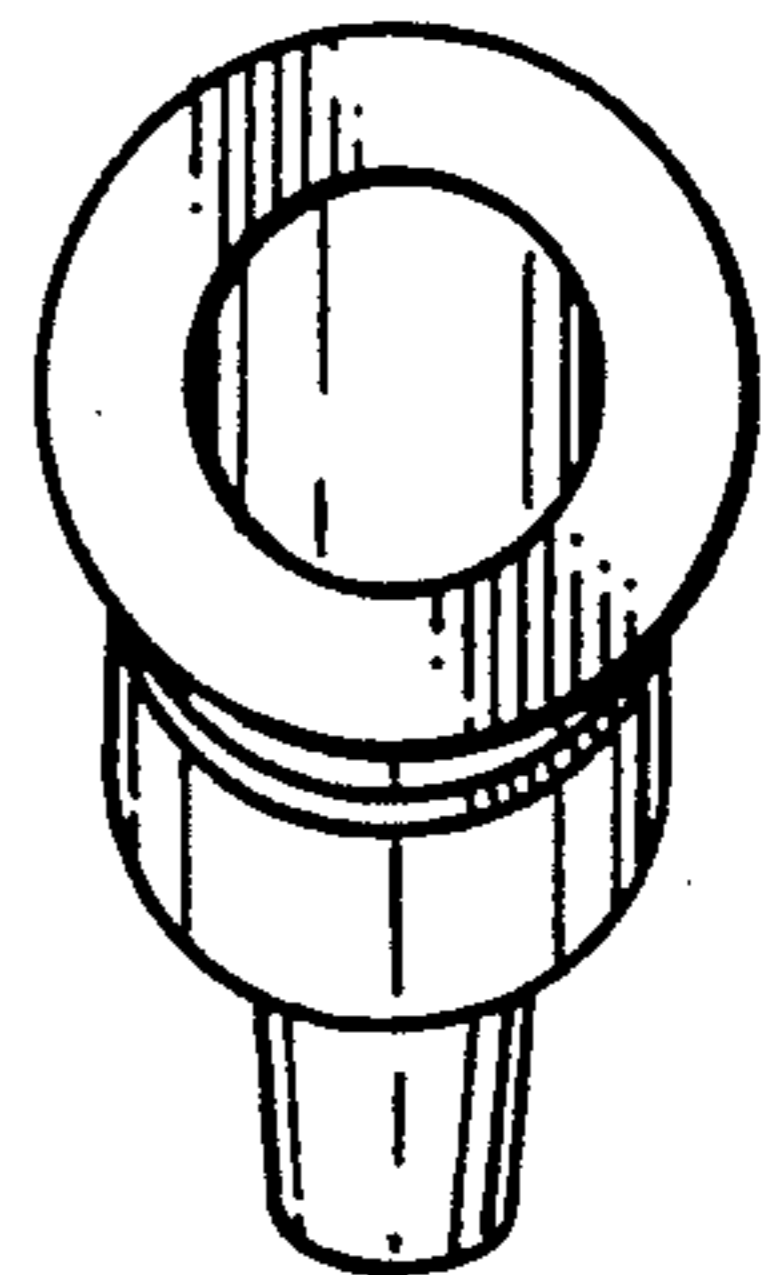


FIG. 6

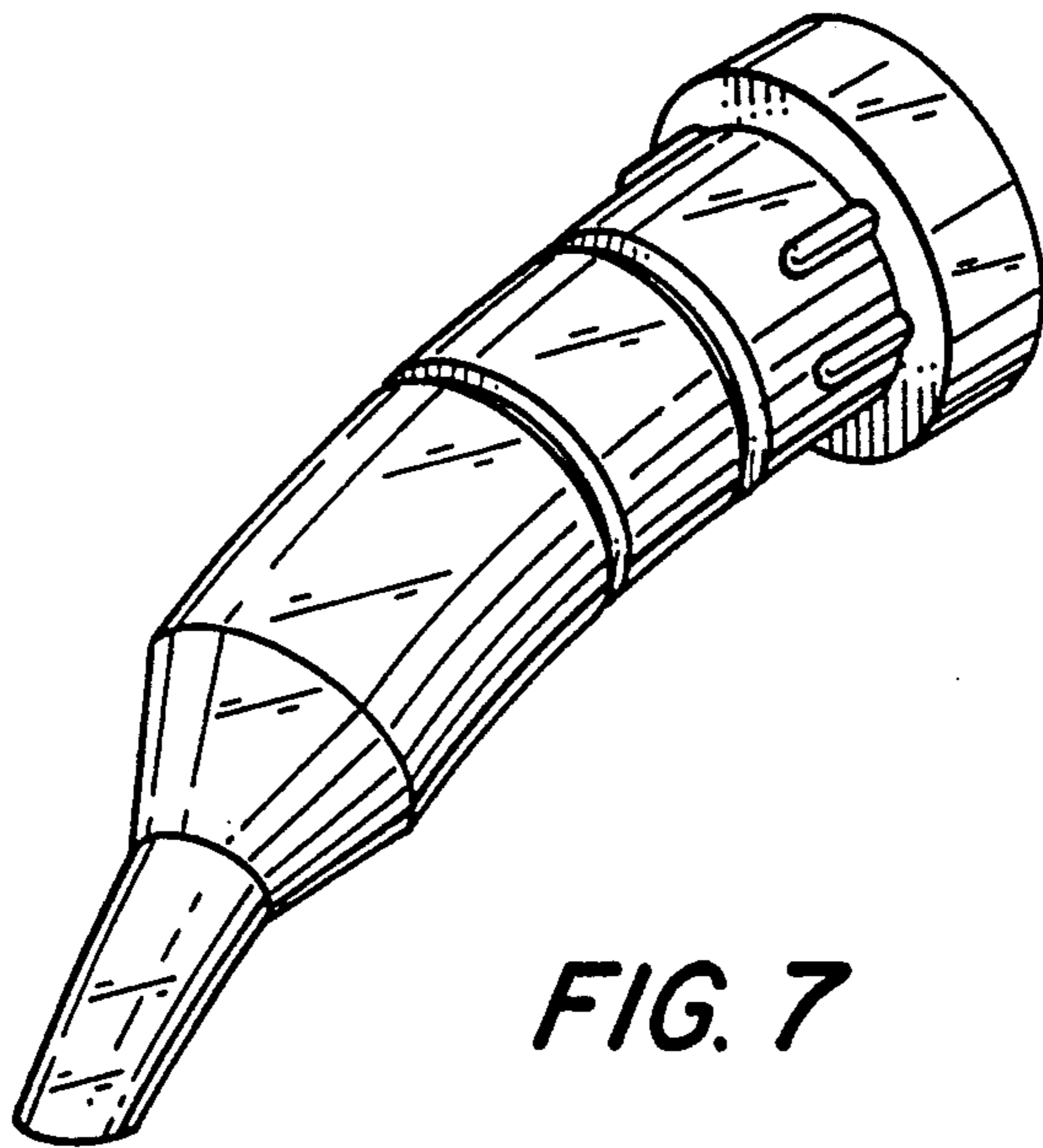


FIG. 7