



US00D334802S

# United States Patent [19]

Greer et al.

[11] Patent Number: **Des. 334,802**

[45] Date of Patent: **\*\* Apr. 13, 1993**

[54] **TABLET**

[75] Inventors: **Hugh J. Greer, Dartford; Robert J. H. Hiscock, Crowborough, both of England**

[73] Assignee: **Burroughs Wellcome Co., Research Triangle Park, N.C.**

[\*\*] Term: **14 Years**

[21] Appl. No.: **656,548**

[22] Filed: **Feb. 19, 1991**

[30] **Foreign Application Priority Data**

Aug. 20, 1990 [GB] United Kingdom ..... 2009109

[52] U.S. Cl. .... **D24/101**

[58] Field of Search ..... **D24/100-104; 424/451, 457, 464-465, 468-470, 472, 474**

[56] **References Cited**

**U.S. PATENT DOCUMENTS**

- D. 187,372 3/1960 Dailey ..... D24/103 X
- D. 223,759 6/1972 File ..... D24/101
- D. 272,848 2/1984 Koziol ..... D24/101 X
- D. 283,931 5/1986 Baum .
- D. 300,673 4/1989 Rhoa et al. .... D24/101

D. 301,763 6/1989 Rhoa et al. .... D24/101

**OTHER PUBLICATIONS**

Thos. Mills & Bro. Inc, Composition Starch Pattern #552, p. 45.

*Physicians Desk Reference*, Zentron® Chewable, p. 416, 1980 34th edition.

*Physicians Desk Reference*, Parafon Forte®, p. 417, 1980 34th edition.

*Primary Examiner*—Wallace R. Burke

*Assistant Examiner*—M. H. Tung

*Attorney, Agent, or Firm*—Nixon & Vanderhye

[57] **CLAIM**

The ornamental design for a tablet, as shown and described.

**DESCRIPTION**

FIG. 1 is a top, side, front perspective view of a tablet showing our new design;

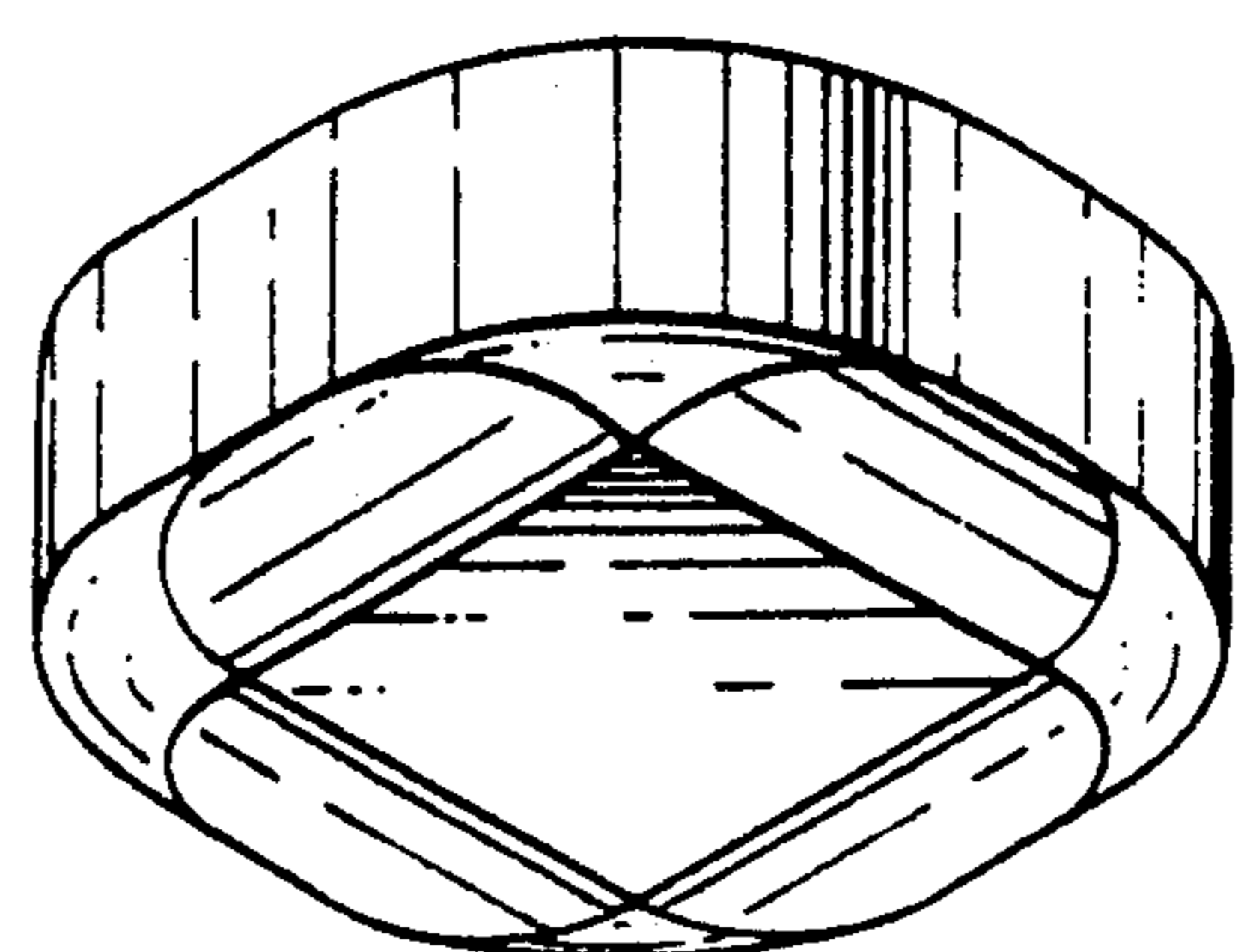
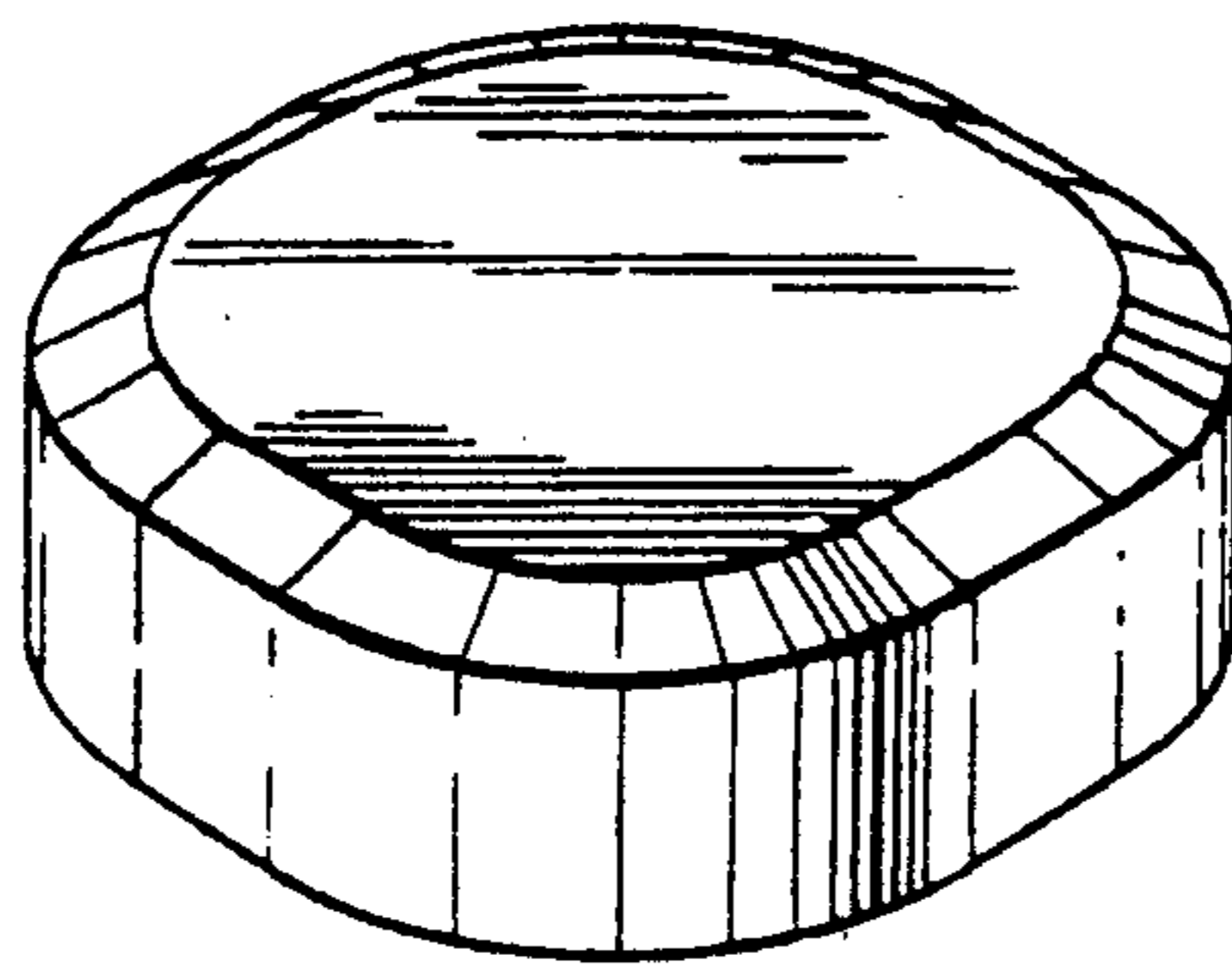
FIG. 2 is an opposite side elevational view thereof;

FIG. 3 is a rear elevational view thereof;

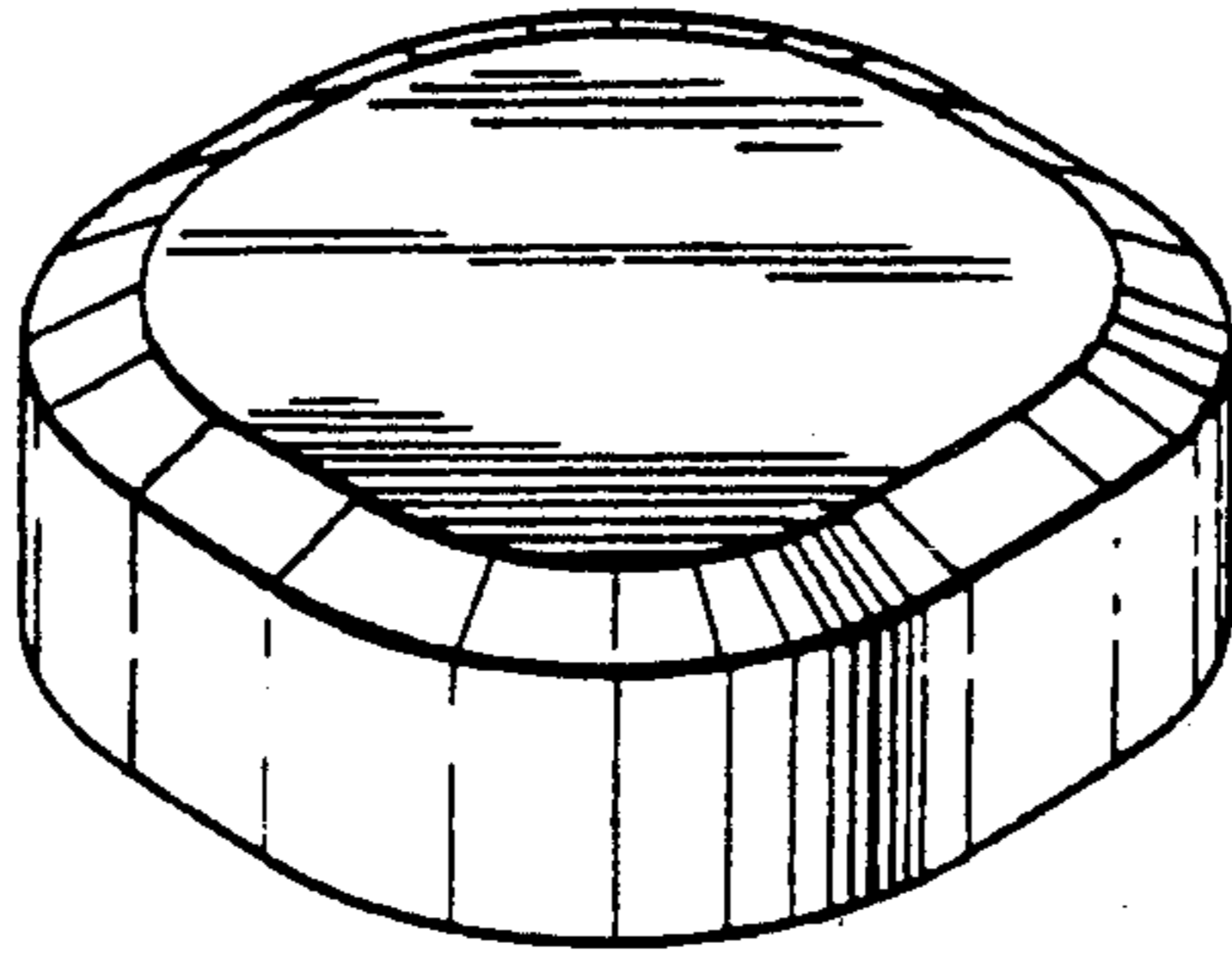
FIG. 4 is a top plan view thereof;

FIG. 5 is a bottom plan view thereof; and,

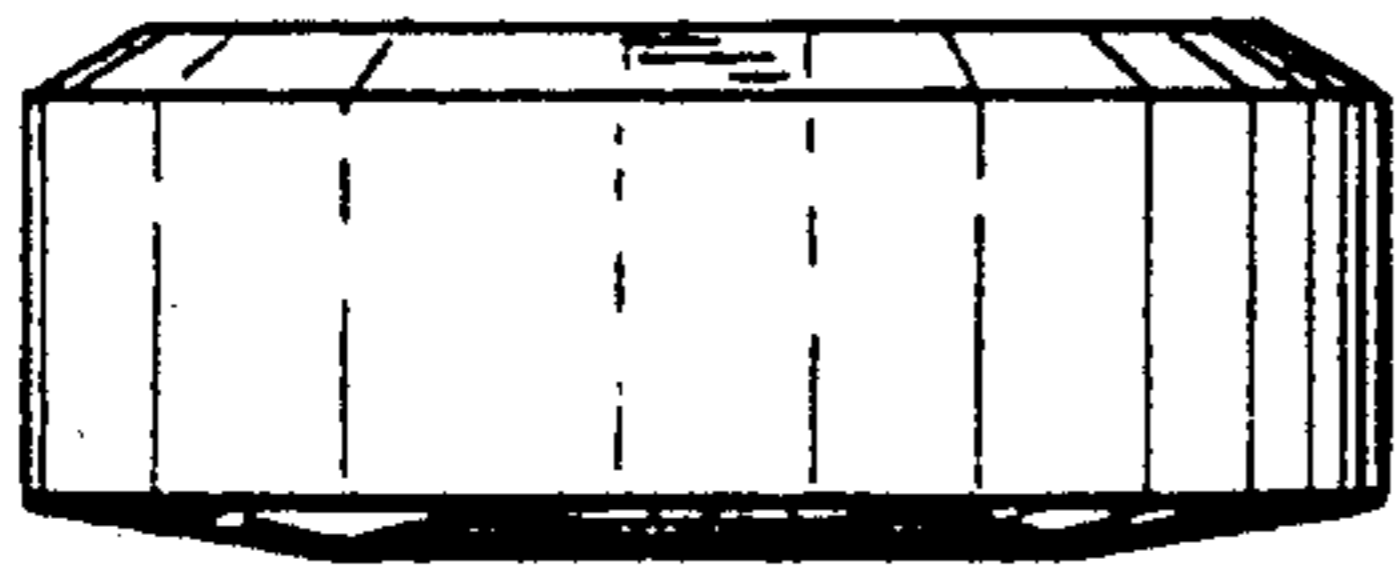
FIG. 6 is a bottom, opposite side, rear perspective view thereof.



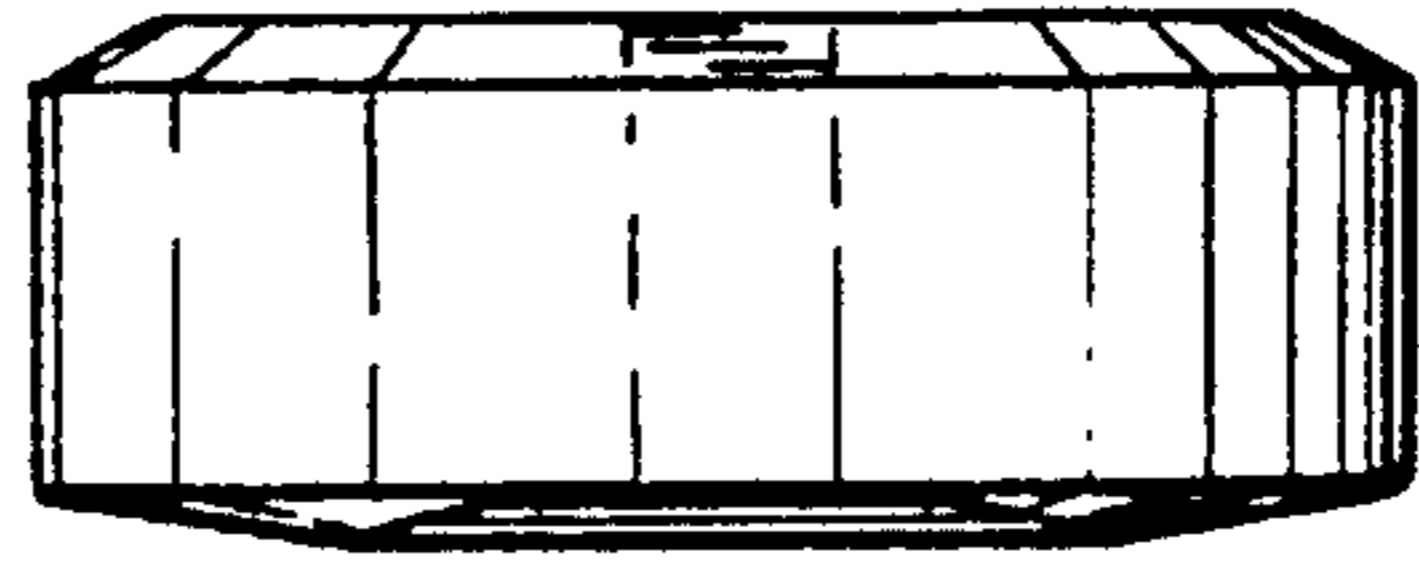
*Fig. 1.*



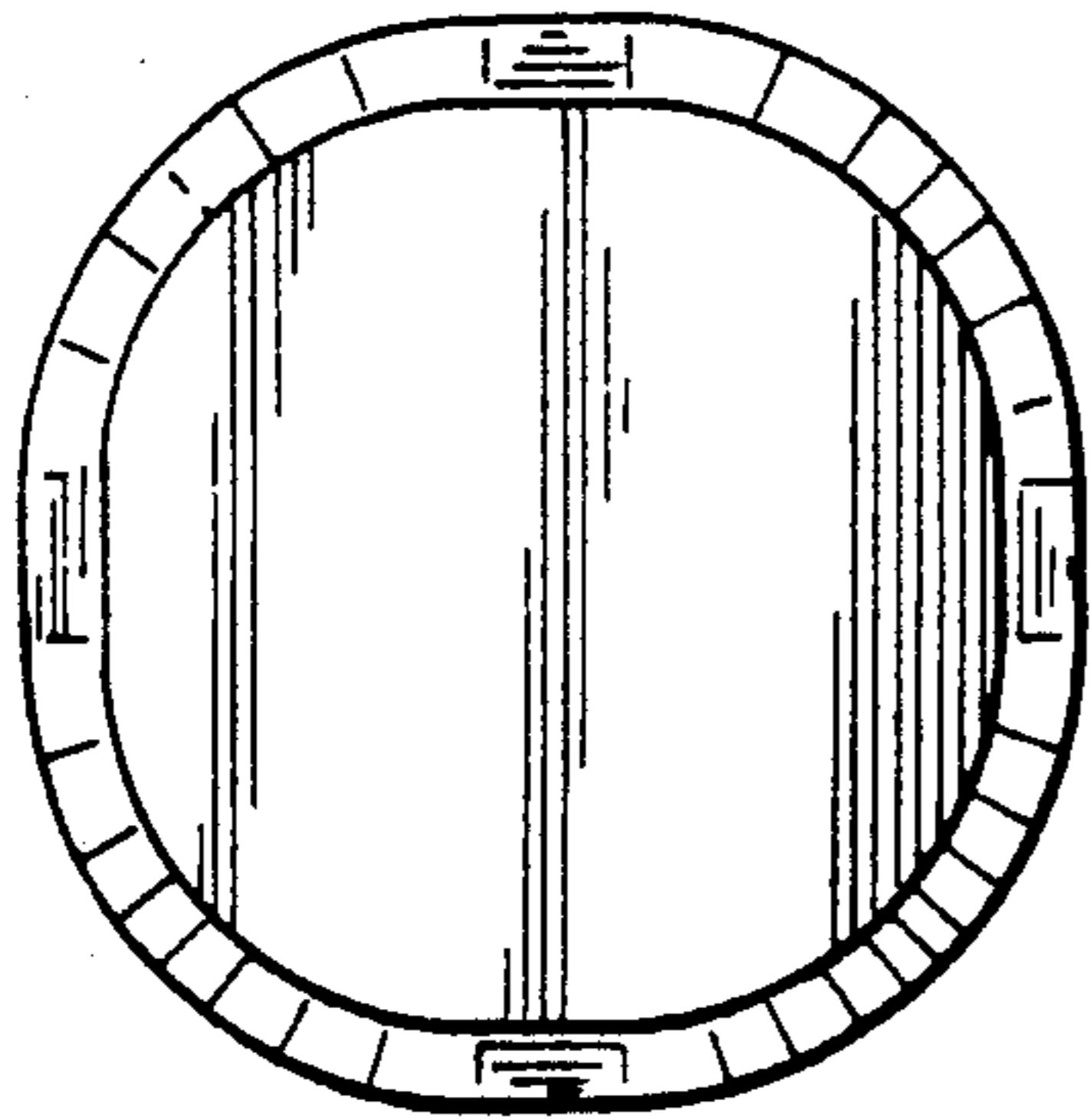
*Fig. 2.*



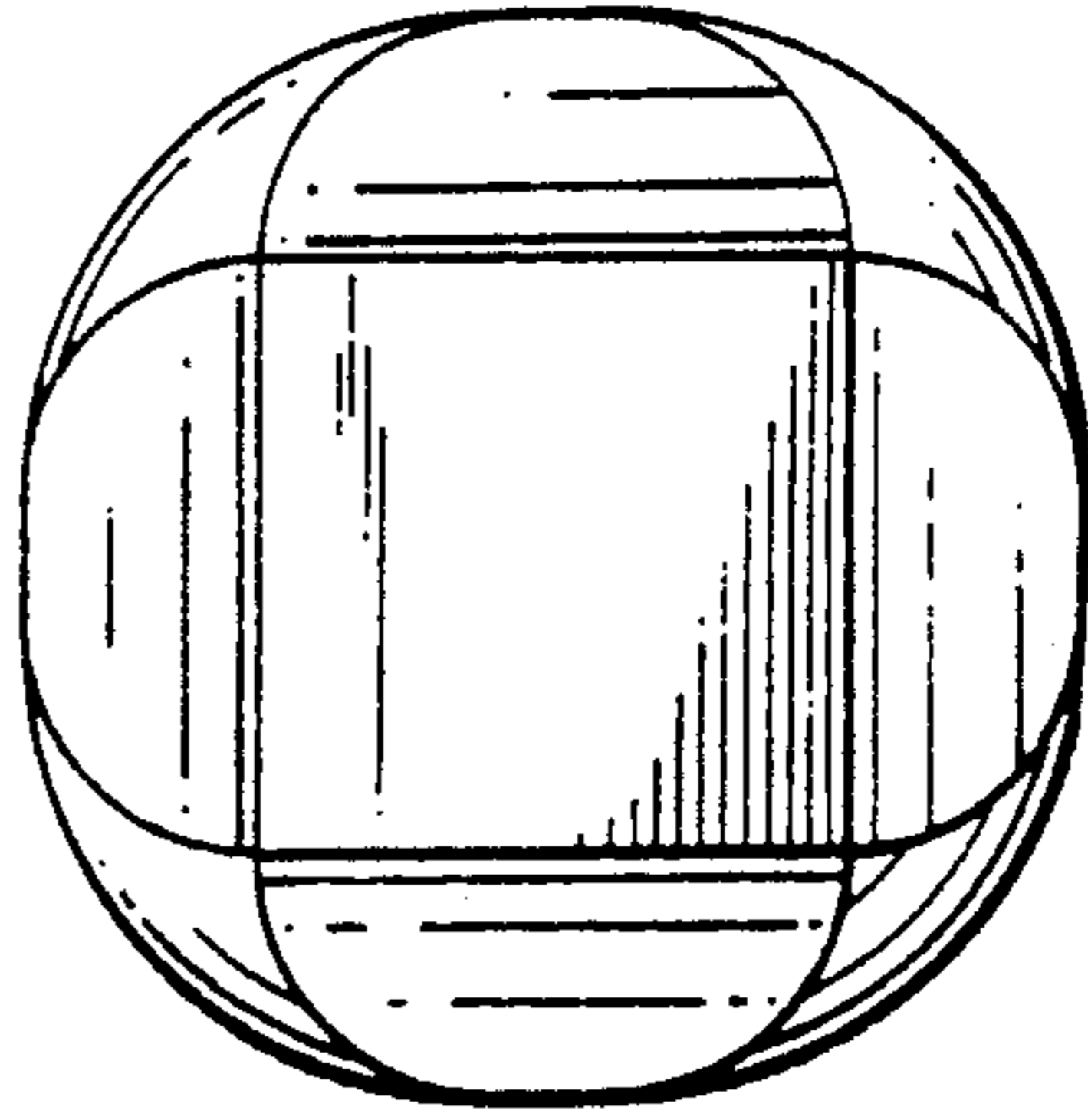
*Fig. 3.*



*Fig. 4.*



*Fig. 5.*



*Fig. 6.*

