



US00D334800S

# United States Patent [19]

[11] Patent Number: **Des. 334,800**

Portis

[45] Date of Patent: **\*\* Apr. 13, 1993**

[54] **AIR FRESHENER FOR MOUNTING ON A BLADE OF A CEILING FAN**

[76] Inventor: **Leroy V. Portis**, 6108 S. Kimbark Ave., Chicago, Ill. 60637

[\*] Notice: The portion of the term of this patent subsequent to Mar. 24, 2006 has been disclaimed.

[\*\*] Term: **14 Years**

[21] Appl. No.: **786,953**

[22] Filed: **Nov. 4, 1991**

[52] U.S. Cl. .... **D23/366**

[58] Field of Search ..... **D23/366-369; 239/36, 57, 58, 59, 60; 261/DIG. 65, 84; 416/5, DIG. 10; 206/0.5; 422/123, 120, 5**

[56] **References Cited**

**U.S. PATENT DOCUMENTS**

D. 323,383	1/1992	Keays et al. ....	D23/366
D. 324,910	3/1992	Portis .....	D23/366
1,528,640	3/1925	Tvrzicky et al. ....	432/124
1,552,082	9/1925	Riley .....	239/60
1,880,962	10/1932	Foppelman .....	D23/366
2,720,013	10/1955	Clark .....	239/60

2,765,194	10/1956	Will .....	239/60
3,844,478	11/1974	Davis .....	239/57
4,615,486	10/1986	Konicek .....	239/274
4,676,721	6/1987	Hardee .....	416/146
4,944,898	7/1990	Glaser .....	261/84
5,022,819	6/1991	Murcin et al. ....	416/62

*Primary Examiner*—Wallace R. Burke  
*Assistant Examiner*—Lisa Lichtenstein  
*Attorney, Agent, or Firm*—McCaleb, Lucas & Brugman

[57] **CLAIM**

The ornamental design for an air freshener for mounting on a blade of a ceiling fan, as shown and described.

**DESCRIPTION**

FIG. 1 is a top perspective view of an air freshener for mounting on a blade of a ceiling fan, showing my new design;  
FIG. 2 is an enlarged top plan view thereof;  
FIG. 3 is an enlarged bottom plan view thereof;  
FIG. 4 is an enlarged end elevation view thereof, the opposite end being a mirror image of that shown; and,  
FIG. 5 is an enlarged front elevation view thereof, the rear being a mirror image of that shown.  
The broken line showing of environmental structure in FIG. 1 is for illustrative purposes only and forms no part of the claimed design.

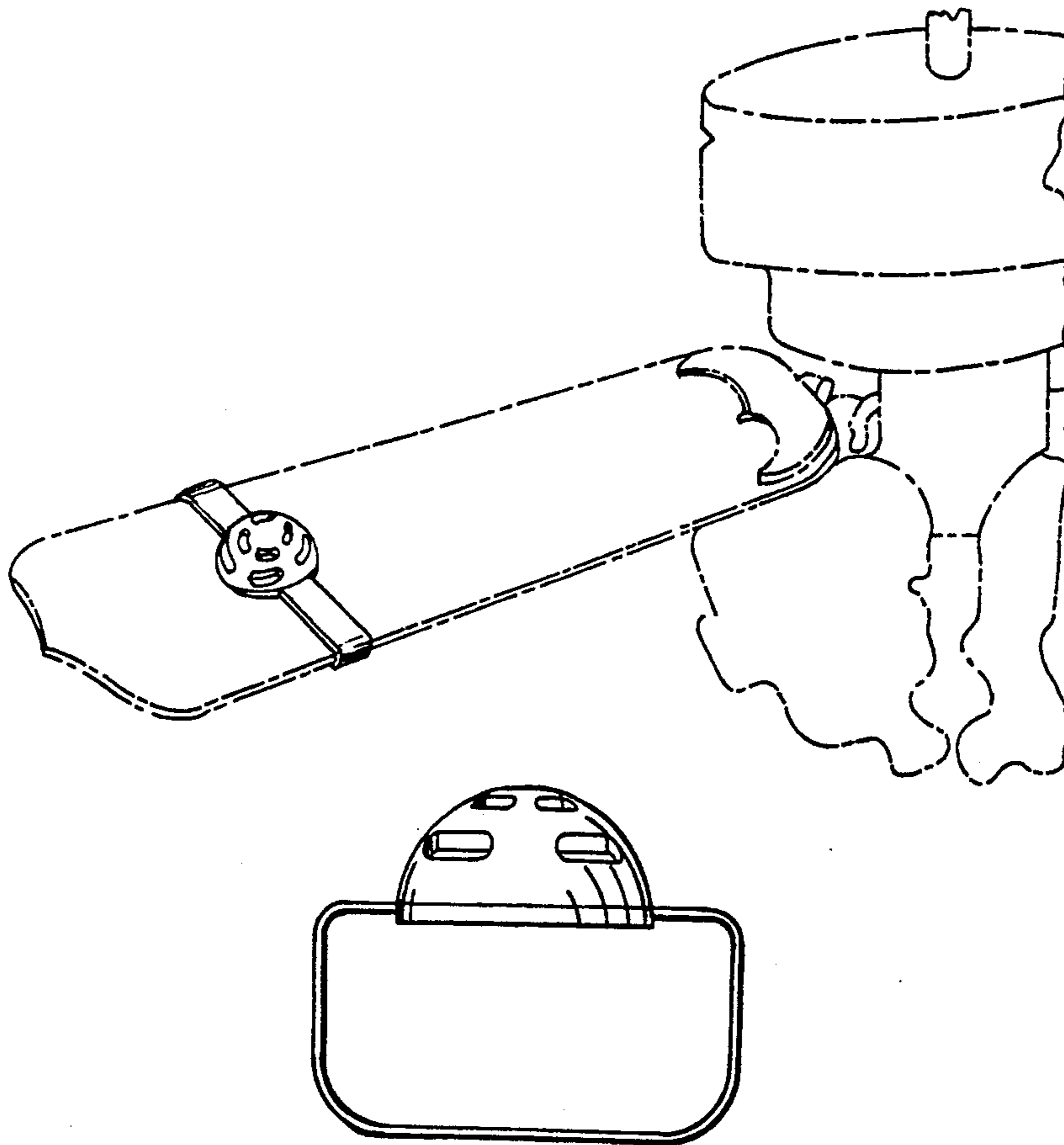


FIG. 1

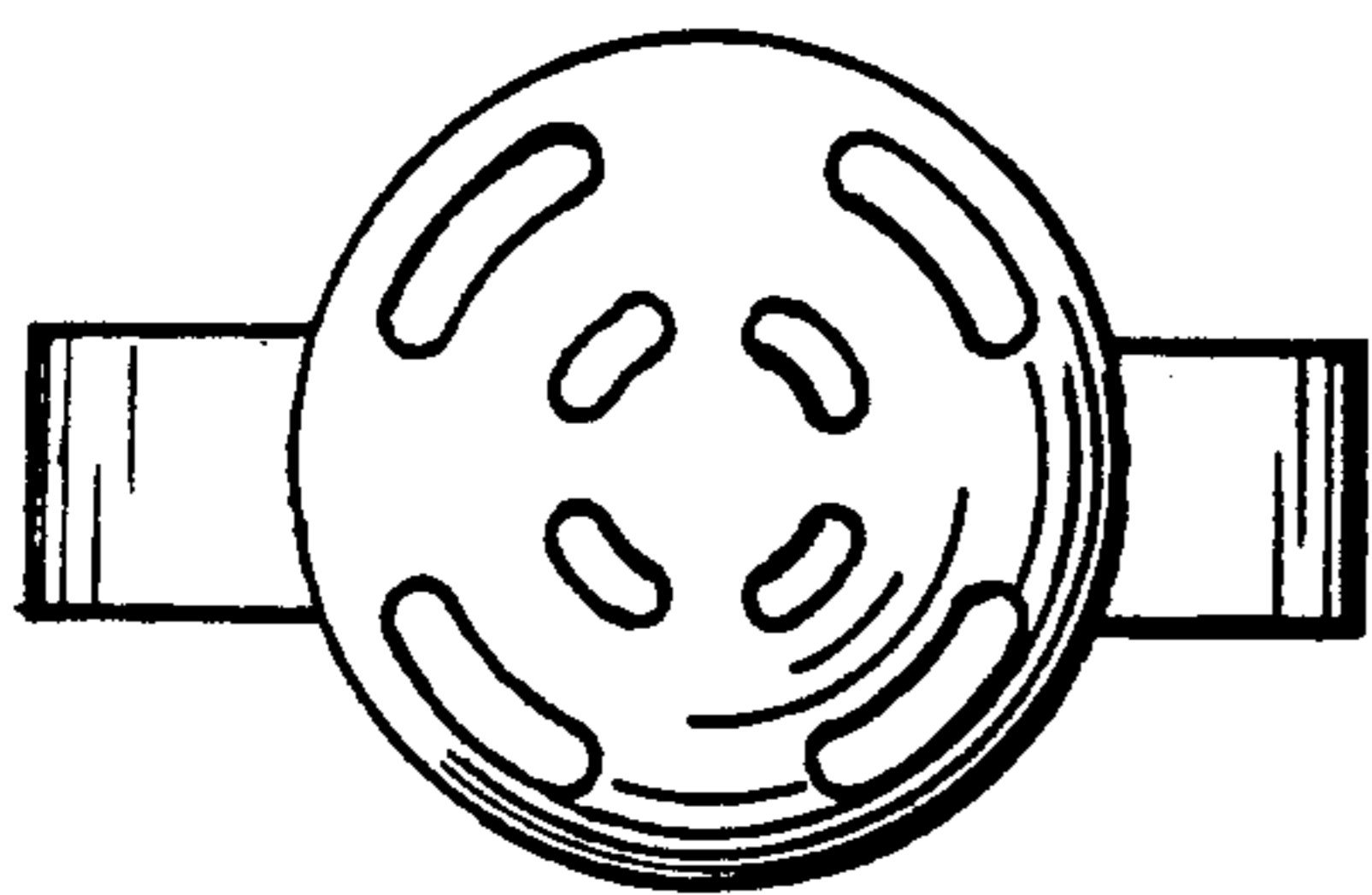
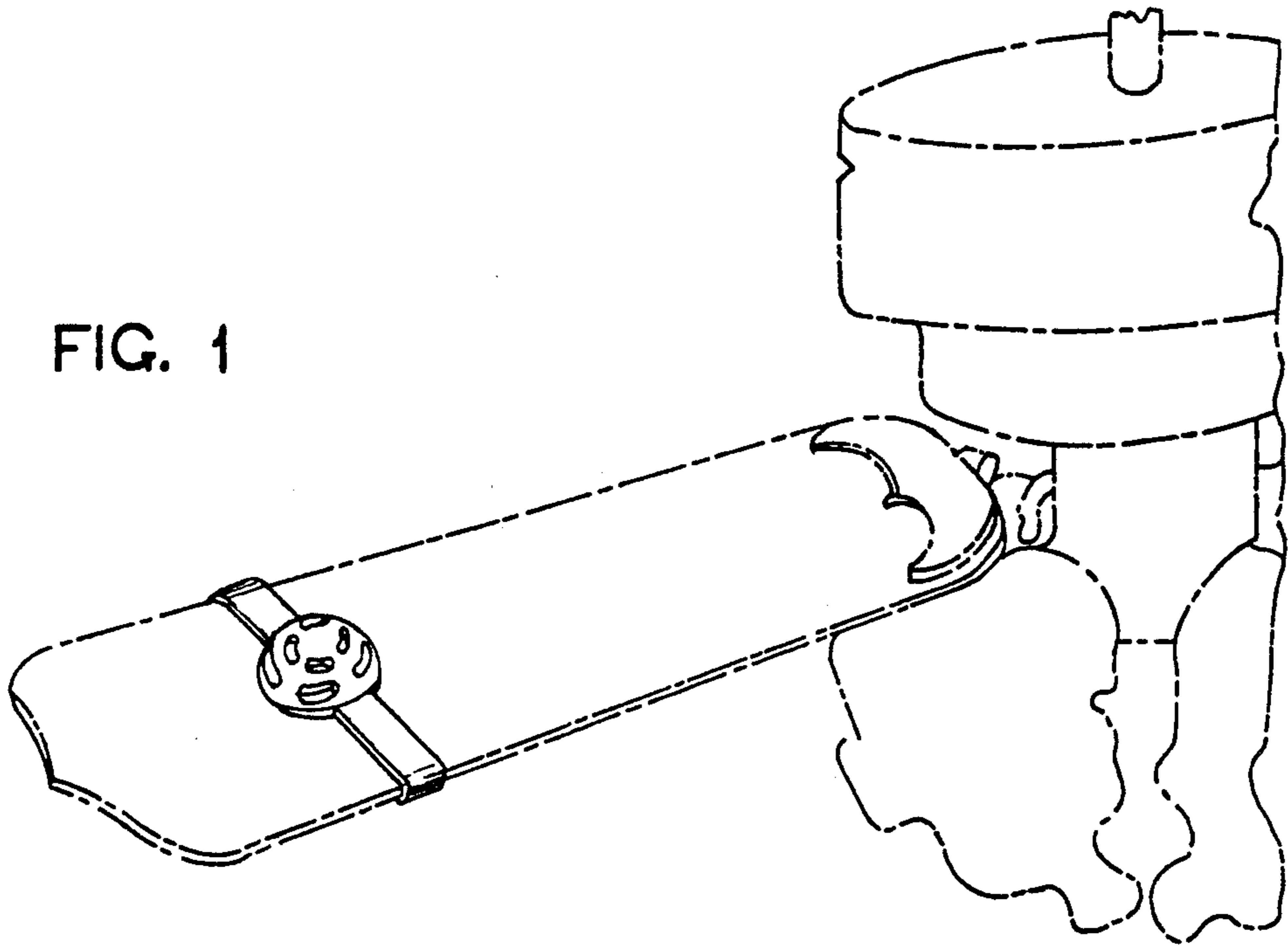


FIG. 2

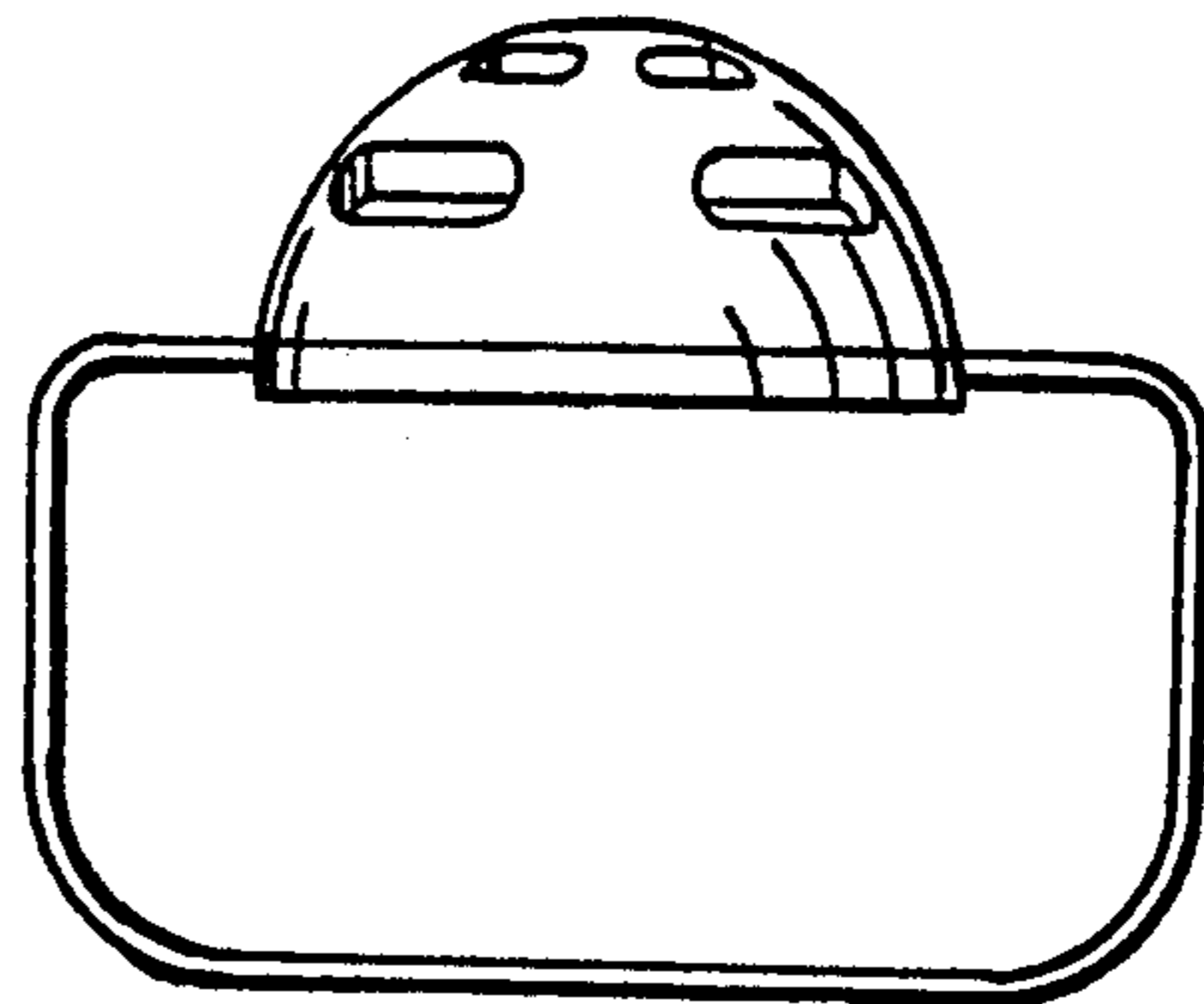


FIG. 4

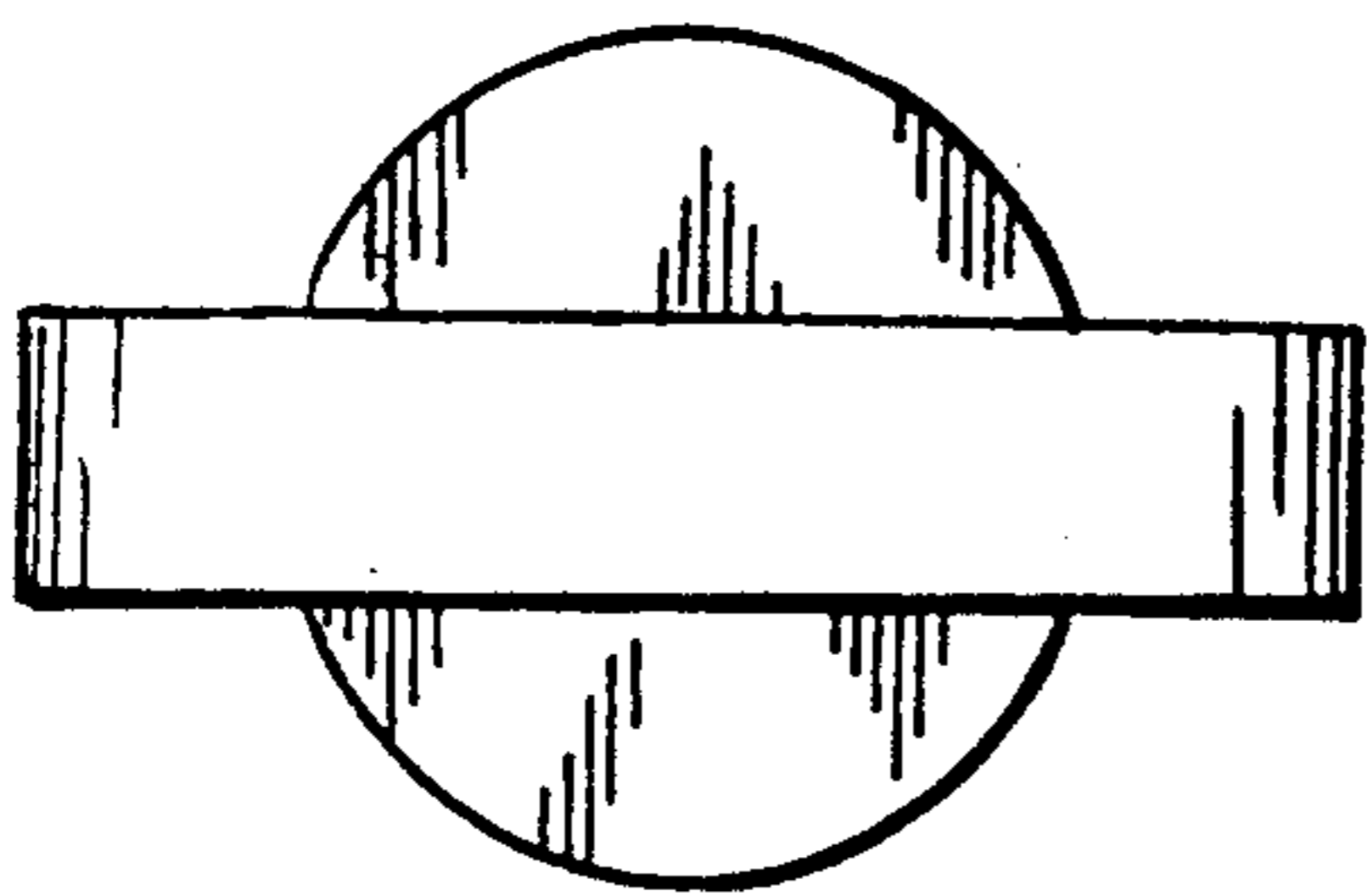


FIG. 3

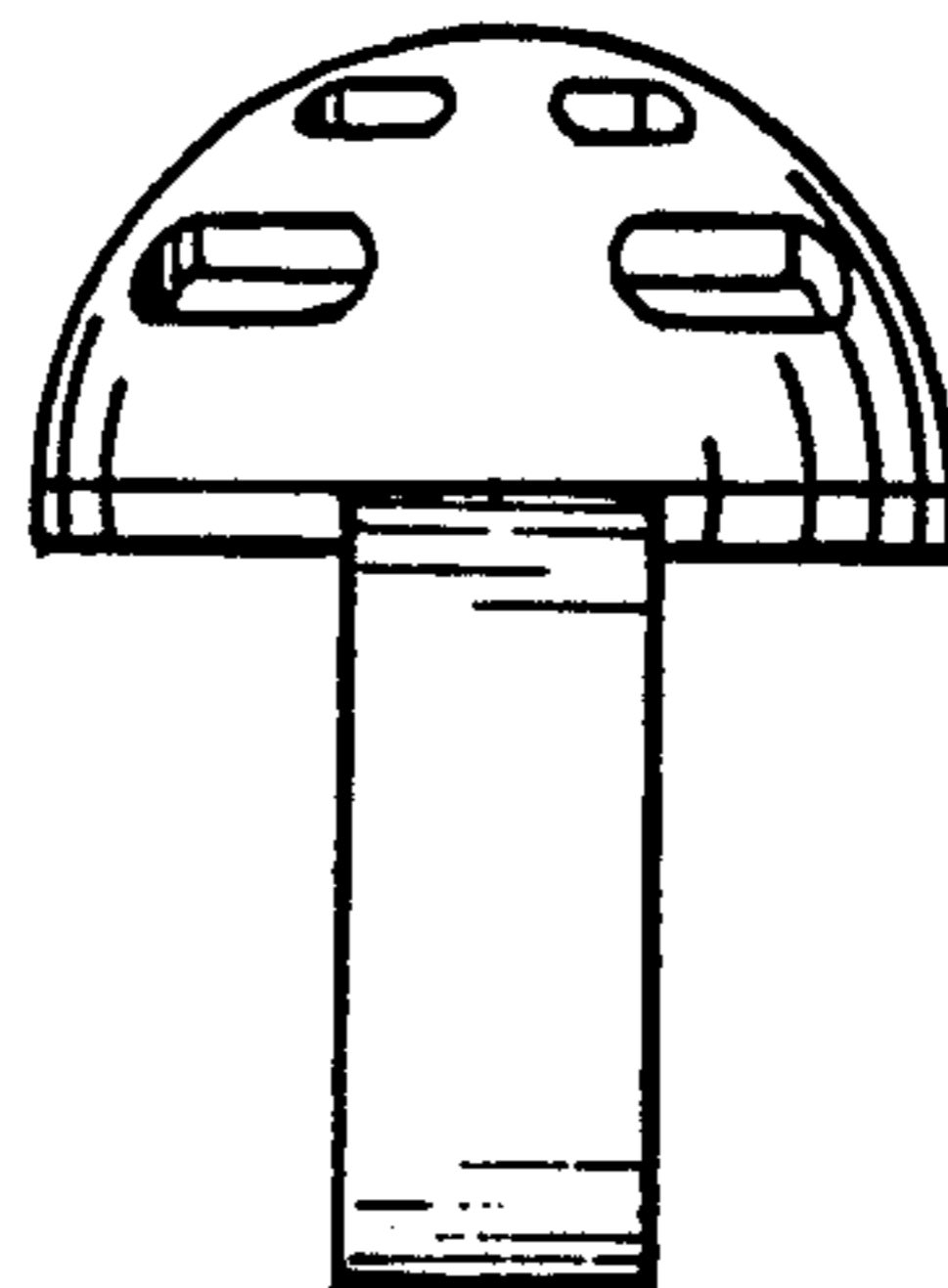


FIG. 5