



US00D334797S

United States Patent [19]

Chretien

[11] Patent Number: **Des. 334,797**

[45] Date of Patent: **** Apr. 13, 1993**

[54] FAUCET

[75] Inventor: **Philippe Chretien, Dietlikon, Switzerland**

[73] Assignee: **KWC AG, Unterkulm, Switzerland**

[*] Notice: The portion of the term of this patent subsequent to Feb. 16, 2007 has been disclaimed.

[**] Term: **14 Years**

[21] Appl. No.: **594,206**

[22] Filed: **Oct. 9, 1990**

[30] Foreign Application Priority Data

Apr. 9, 1990 [XH] Hague DM/016382

[52] U.S. Cl. **D23/238**

[58] Field of Search D23/238-243, D23/255-257; 4/191, 192; 137/801

[56] References Cited

U.S. PATENT DOCUMENTS

D. 253,607 12/1979 Haug D23/238

D. 291,232	8/1987	Haug et al.	D23/238
D. 291,234	8/1987	Bergmann et al.	D23/238
D. 291,235	8/1987	Bergmann et al.	D23/238
D. 291,590	8/1987	Bengtsson	D23/238
D. 301,162	5/1989	Oberdorter	D23/238
D. 313,464	1/1991	DiMaggio	D23/238
D. 324,723	3/1992	Chretien	D23/238
D. 324,905	3/1992	Chretien	D23/238
5,009,277	4/1991	Oberdorfer	137/801 X
5,090,062	2/1992	Hochstrasser	137/801 X

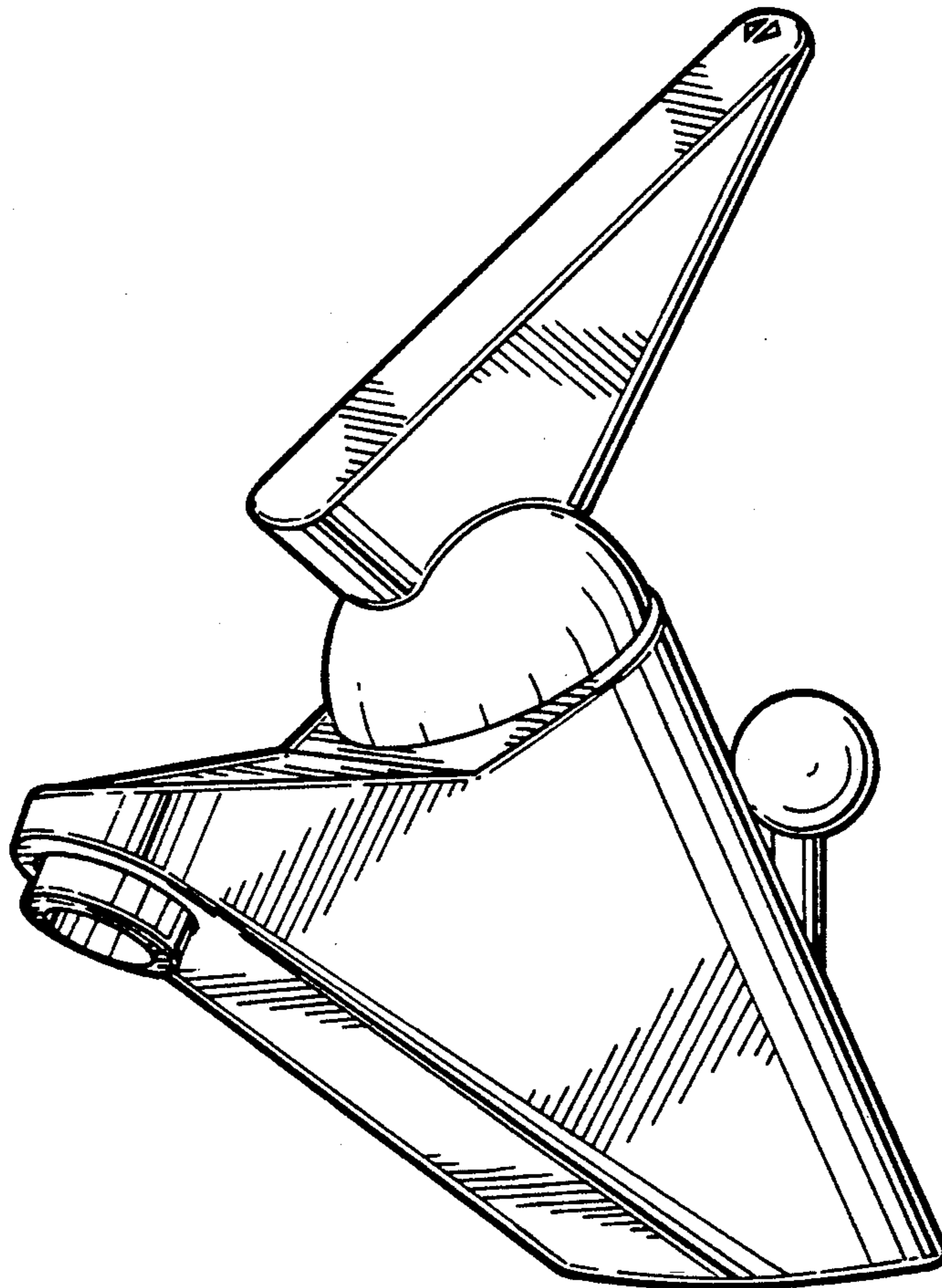
Primary Examiner—James R. Largen
Attorney, Agent, or Firm—Oblon, Spivak, McClelland, Maier & Neustadt

[57] CLAIM

The ornamental design for a faucet, as shown.

DESCRIPTION

FIG. 1 is a right front perspective view of a faucet, showing my new design;
FIG. 2 is a front elevational view thereof;
FIG. 3 is a left side elevational view thereof;
FIG. 4 is a right side elevational view thereof;
FIG. 5 is a top plan view thereof; and,
FIG. 6 is a bottom plan view thereof.



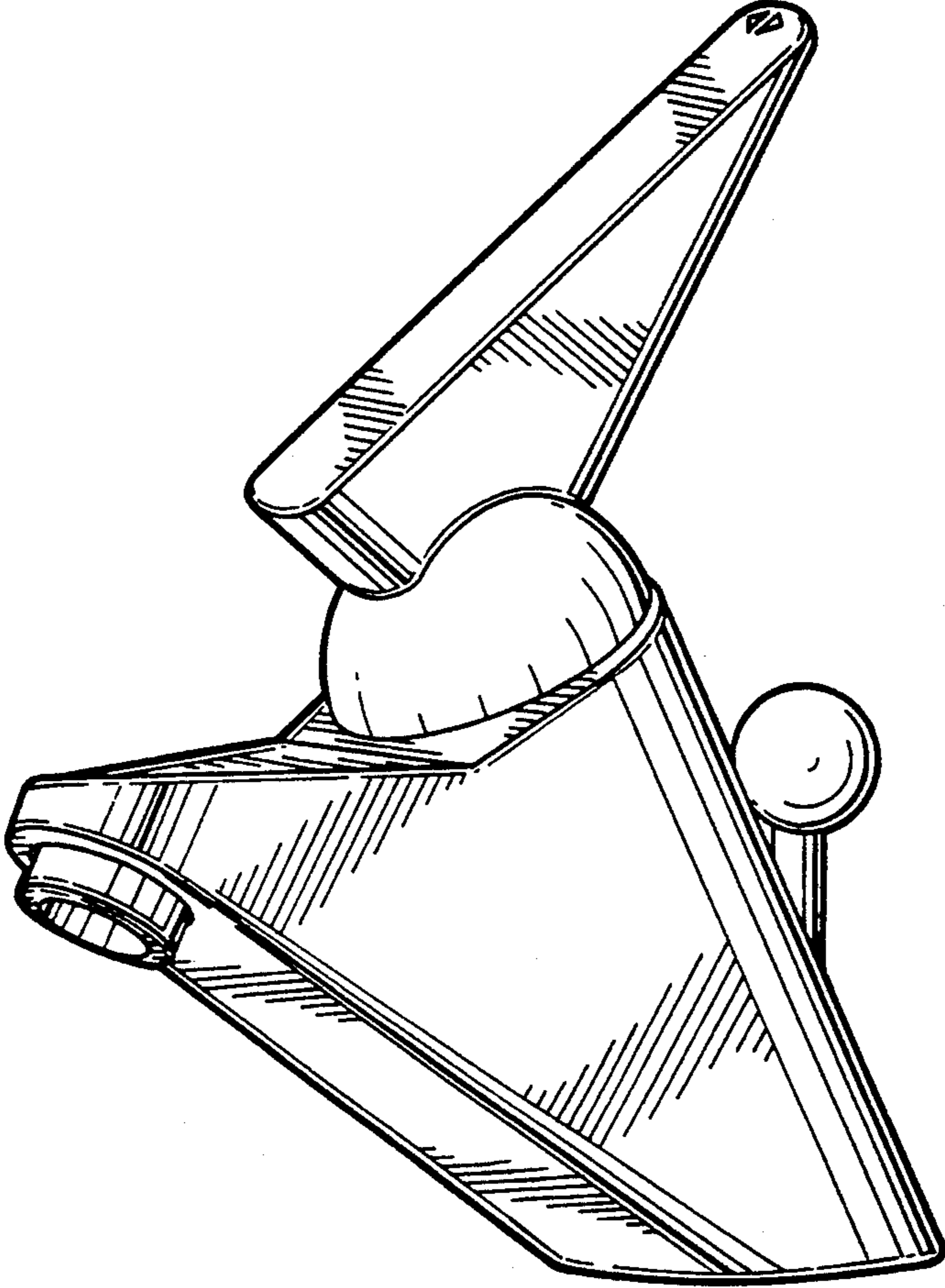


FIG. 1

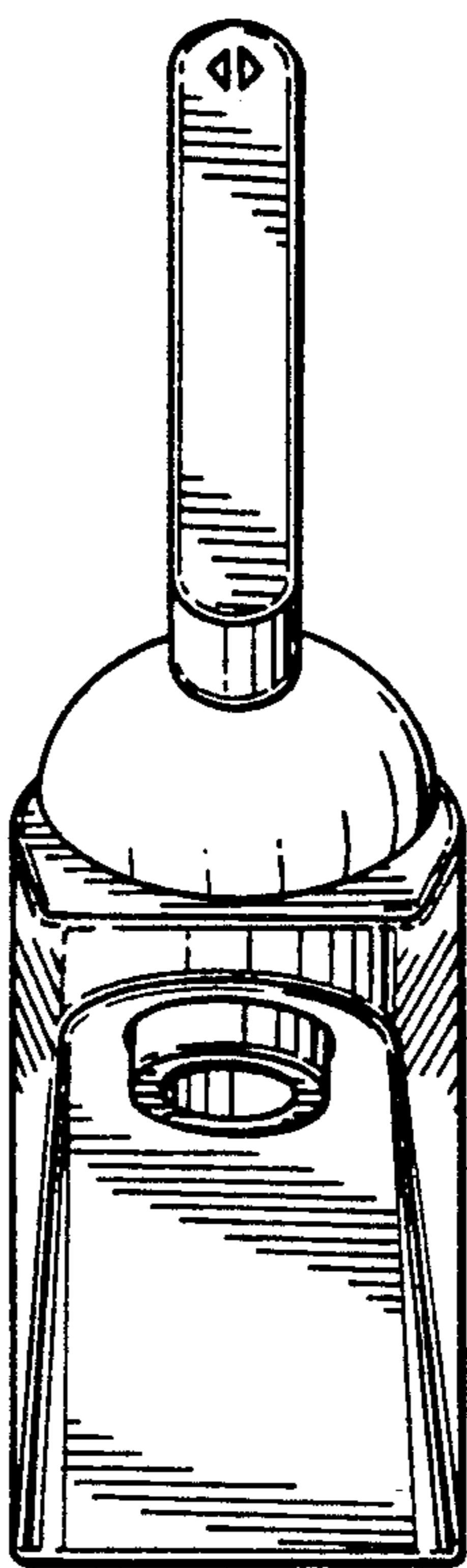


FIG. 2

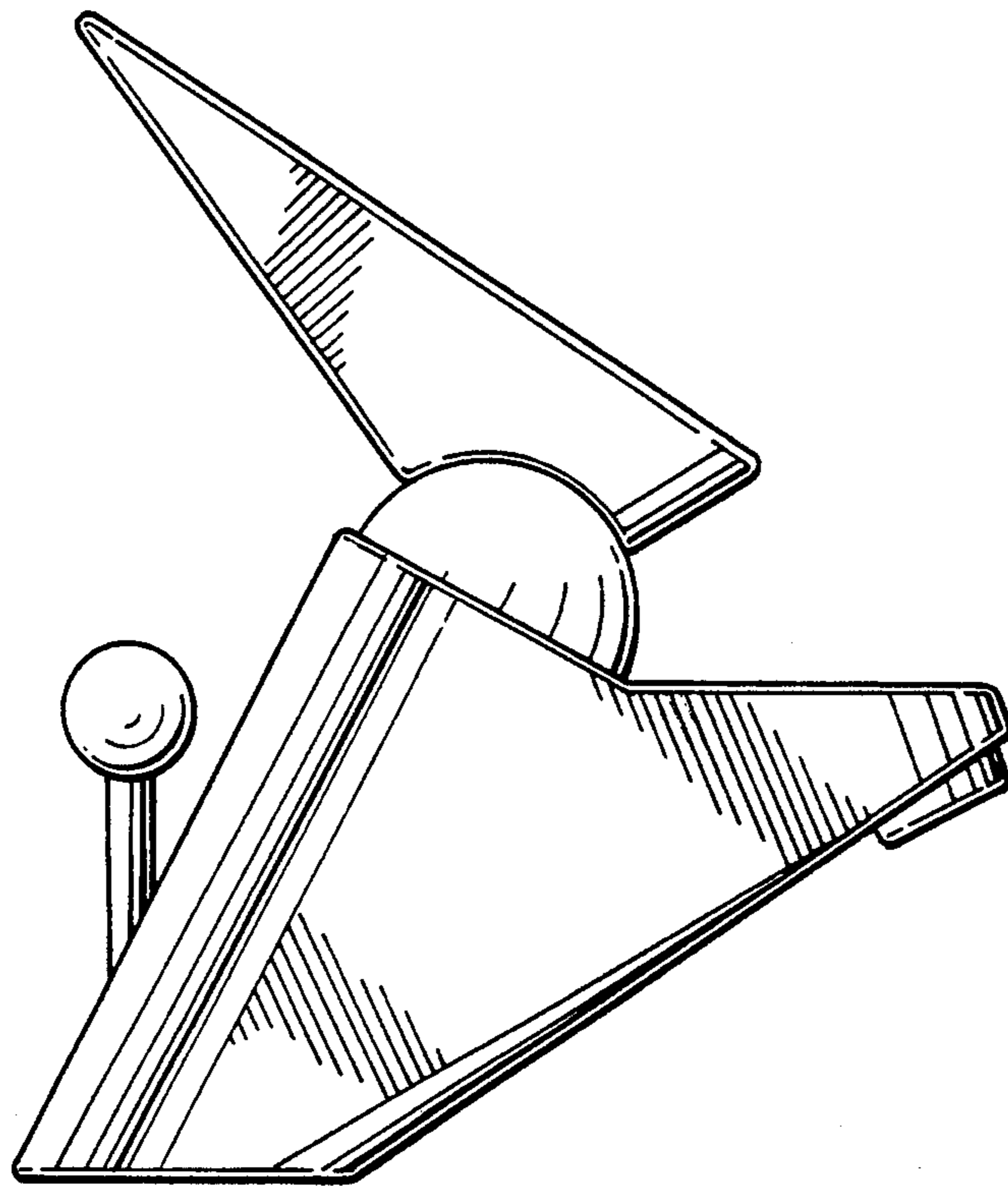


FIG. 3

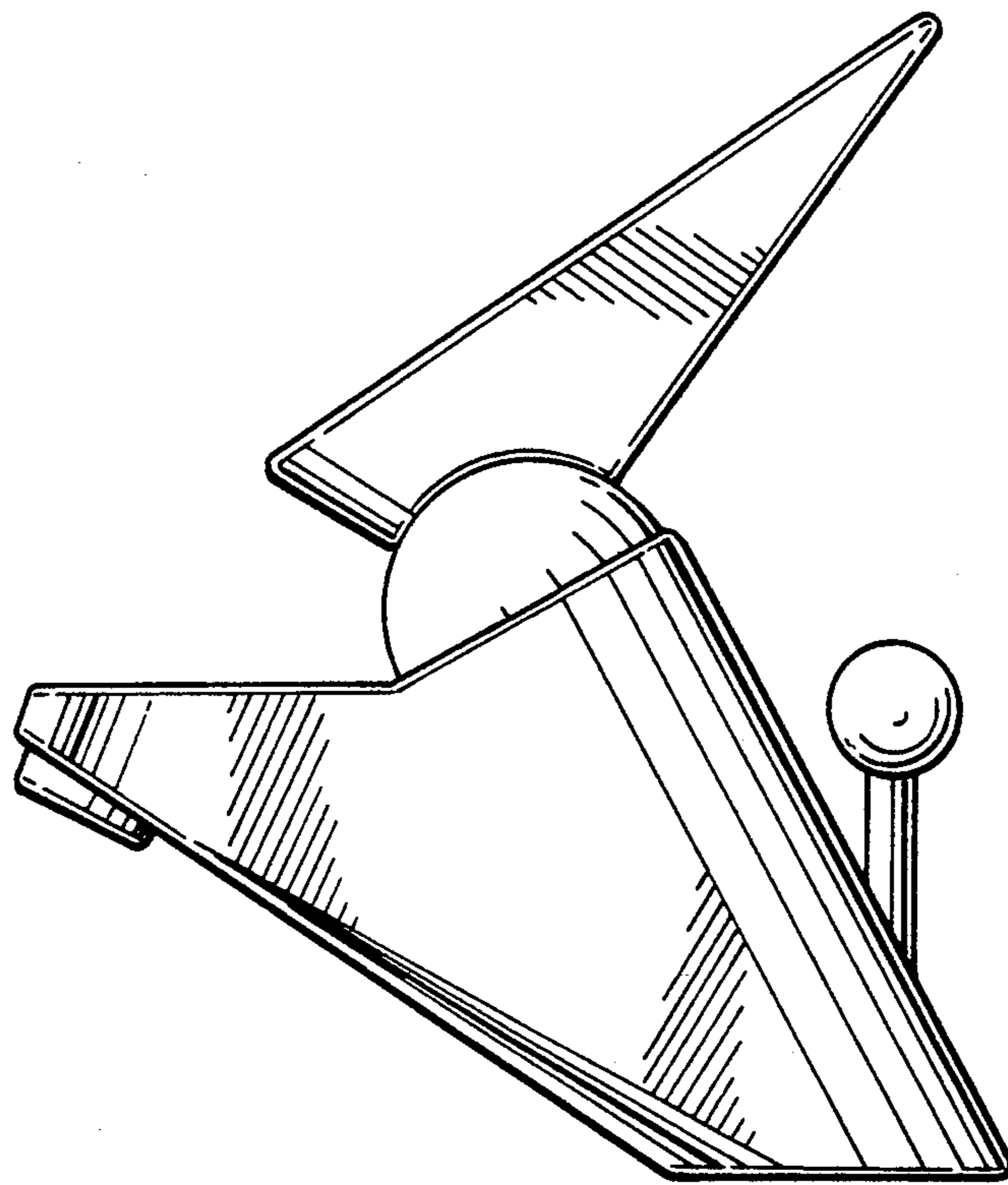


FIG. 4

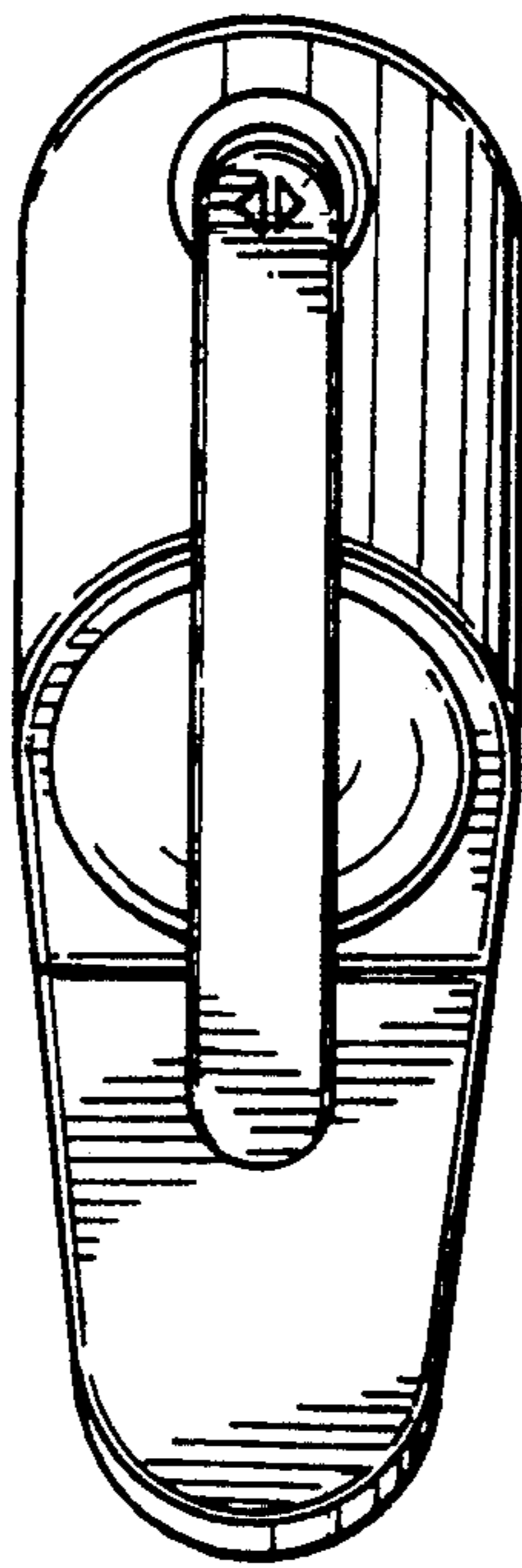


FIG. 5

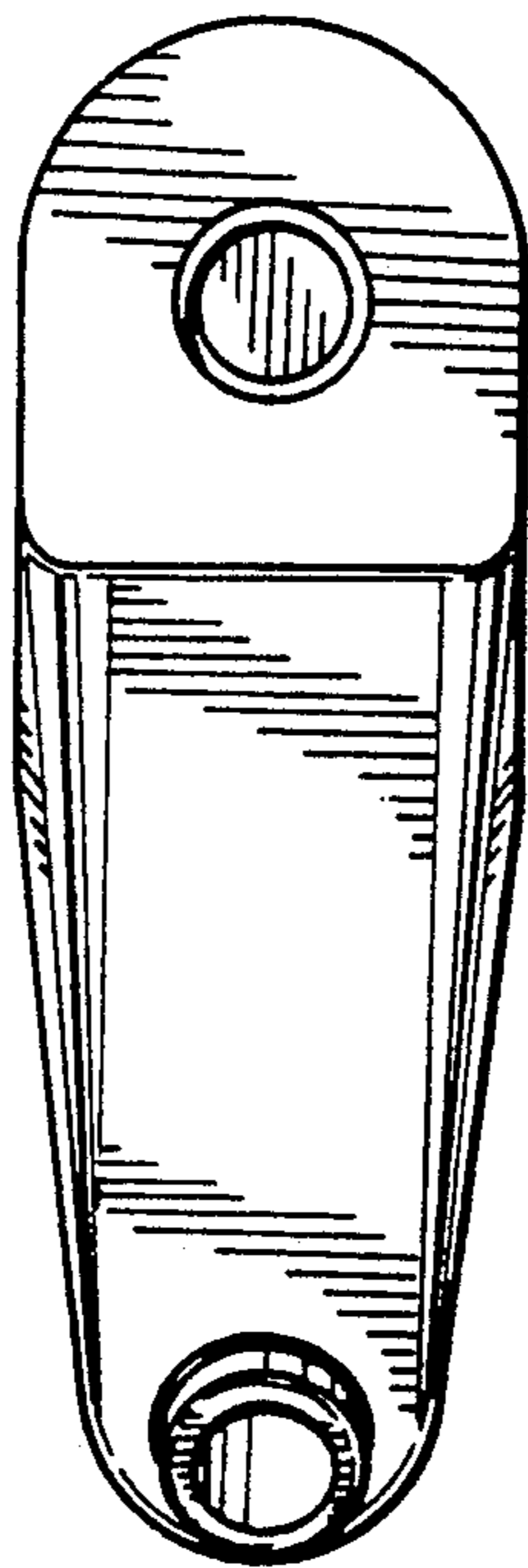


FIG. 6