



US00D334796S

United States Patent [19]

[11] Patent Number: **Des. 334,796**

Hansen

[45] Date of Patent: **** Apr. 13, 1993**

[54] **DISCHARGE REGULATOR FOR A LIQUEFIED GAS CONTAINER**

[56] **References Cited**

U.S. PATENT DOCUMENTS

[75] Inventor: **Fritz P. U. Hansen, Rungsted Kyst, Denmark**

D. 115,693	7/1939	Mosack	D23/235
D. 258,075	1/1981	Mann	D23/235
3,043,332	7/1962	Henriques et al.	137/495 X
3,387,622	6/1968	Weinstein	137/495
3,946,756	3/1976	Specht	137/495
4,254,796	3/1981	Kelly	137/495 X

[73] Assignee: **Kosan Teknova A/S, Niva, Denmark**

Primary Examiner—A. Hugo Word
Assistant Examiner—Doris V. Coles

[*] Notice: The portion of the term of this patent subsequent to Apr. 13, 2005 has been disclaimed.

[57] CLAIM

[**] Term: **14 Years**

The ornamental design for a discharge regulator for a liquefied gas container, as shown.

[21] Appl. No.: **1,503**

DESCRIPTION

[22] Filed: **Jan. 7, 1987**

FIG. 1 is a perspective view of a discharge regulator for a liquefied gas container, showing my new design;
FIG. 2 is another perspective view thereof;
FIG. 3 is a side elevational view thereof;
FIG. 4 is an elevational view of the opposite side thereof;
FIG. 5 is an end elevational view thereof;
FIG. 6 is an elevational view of the opposite end thereof;
FIG. 7 is a top plan view thereof; and,
FIG. 8 is a bottom plan view thereof.

[30] Foreign Application Priority Data

Jul. 8, 1986 [DK] Denmark	675/86
[52] U.S. Cl.	D23/235
[58] Field of Search	D23/235, 233, 237, 244, D23/245, 246; 251/89; 137/495, 523

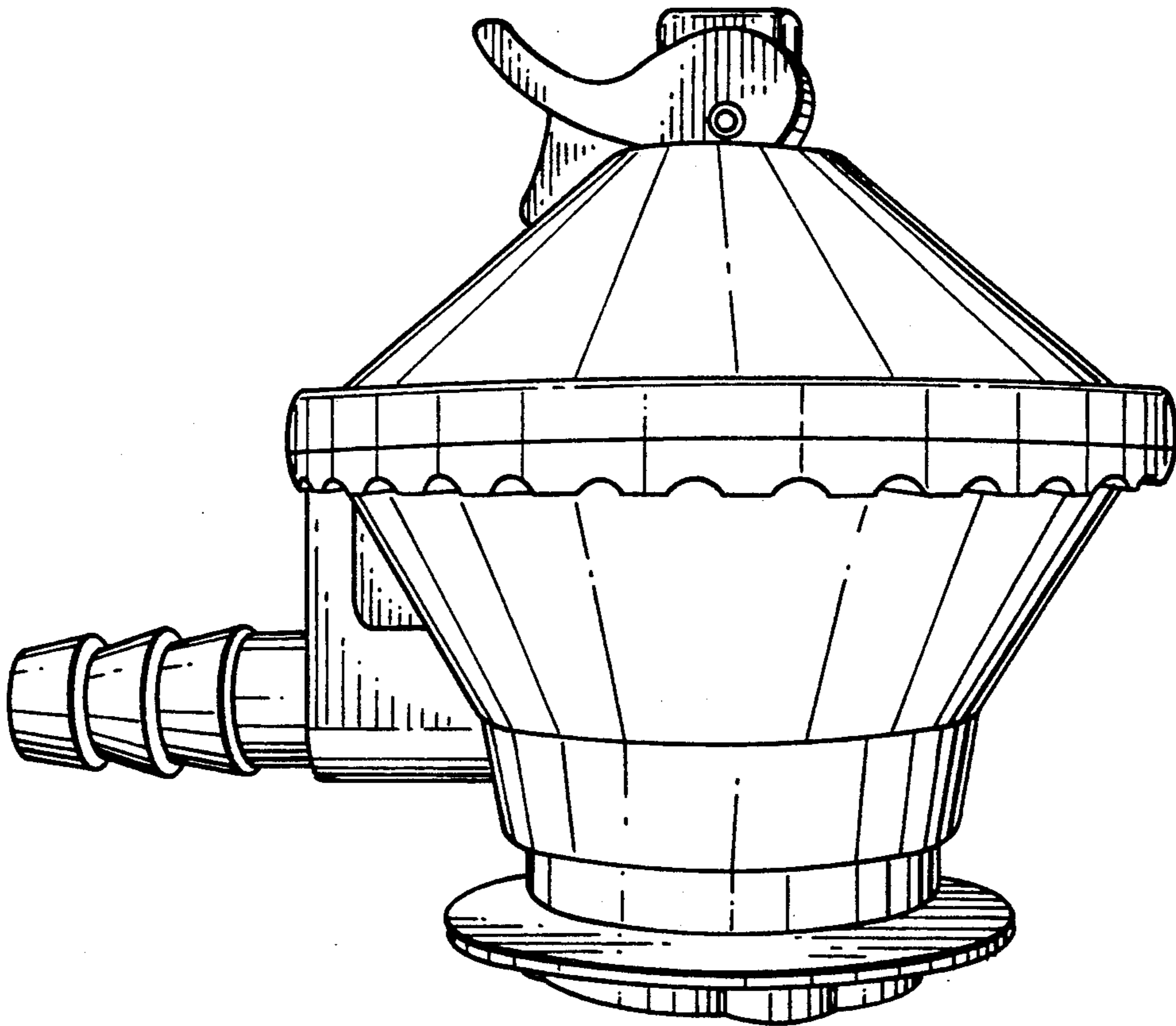


FIG. 1

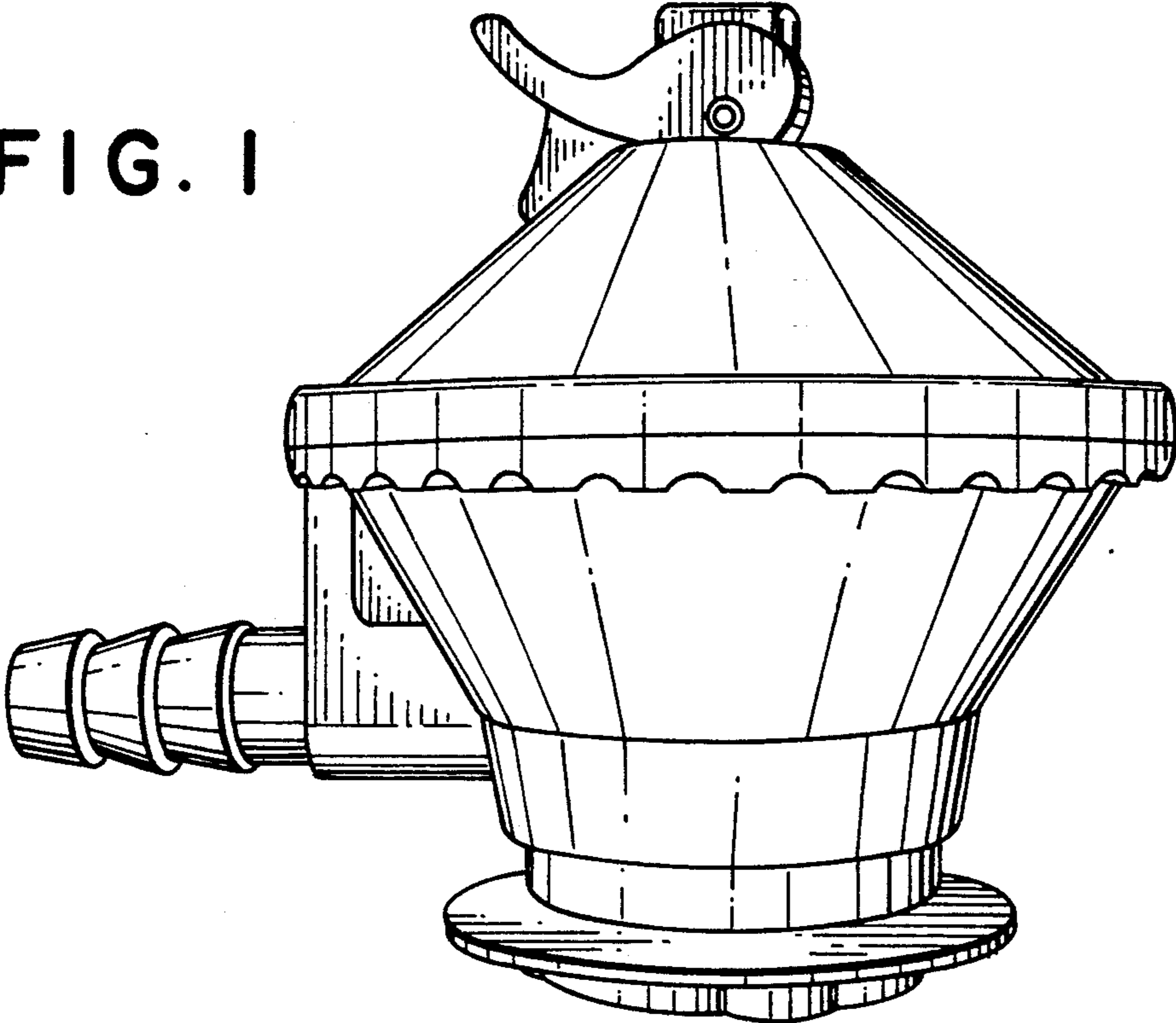


FIG. 2

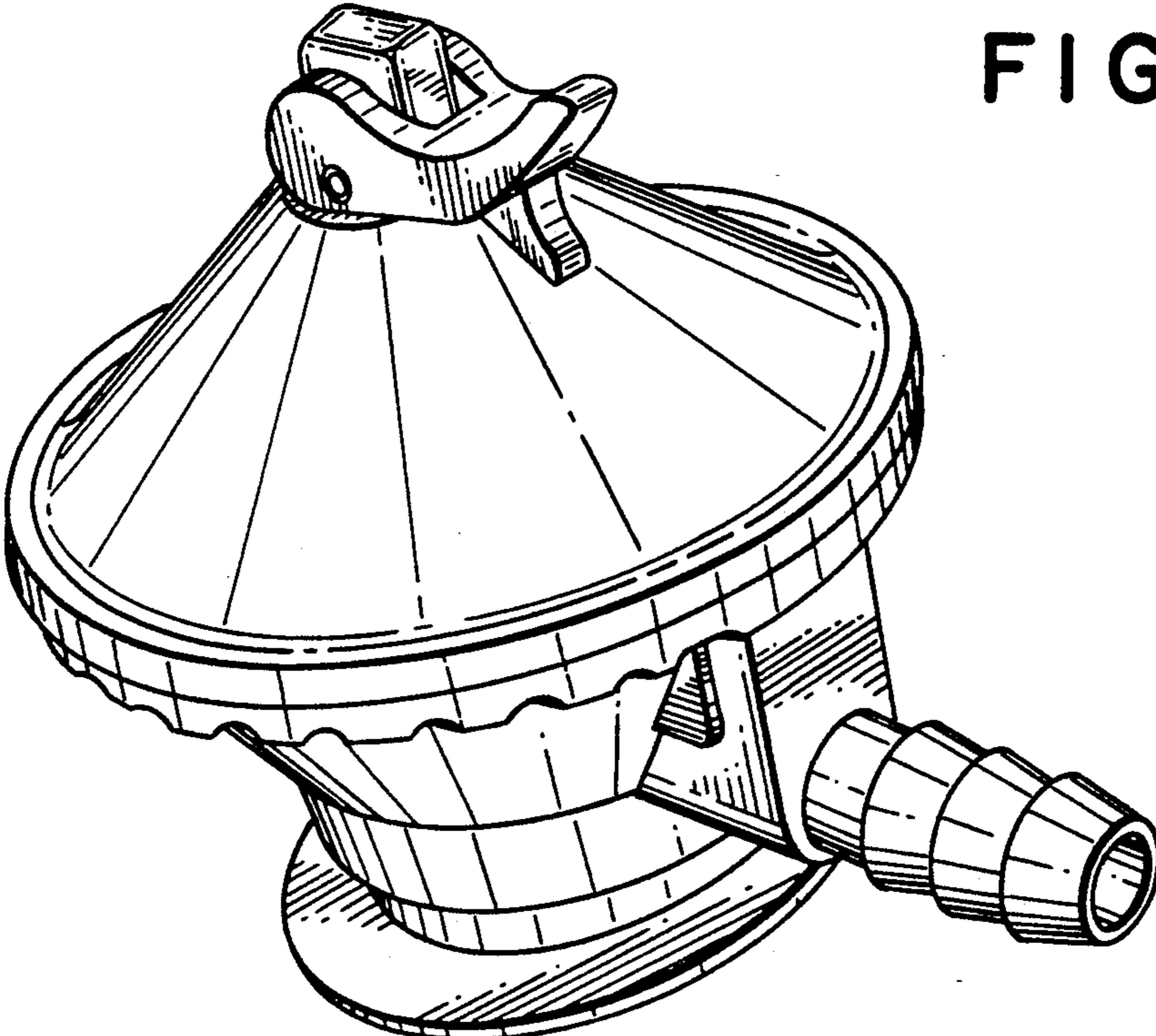


FIG. 3

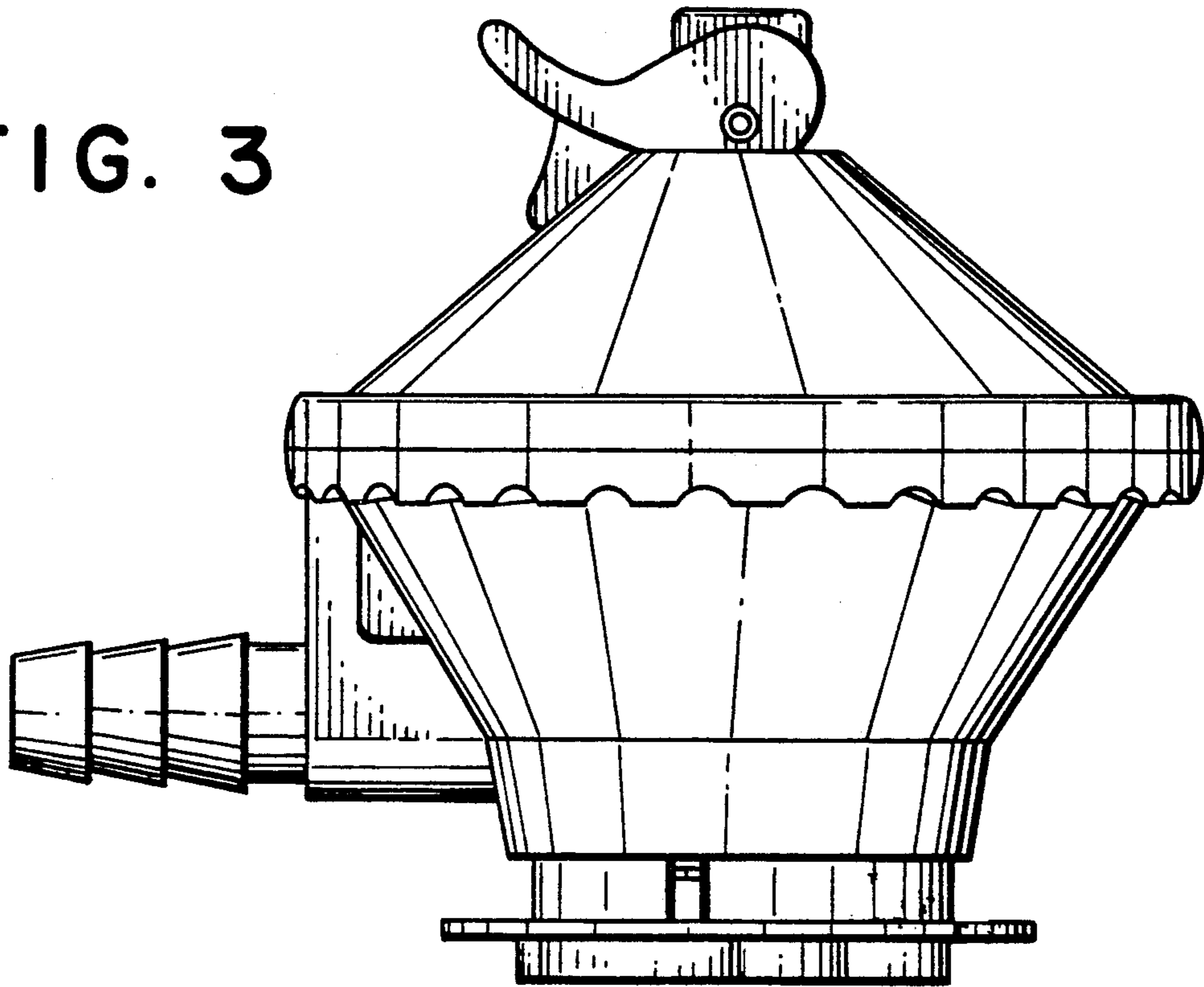


FIG. 4

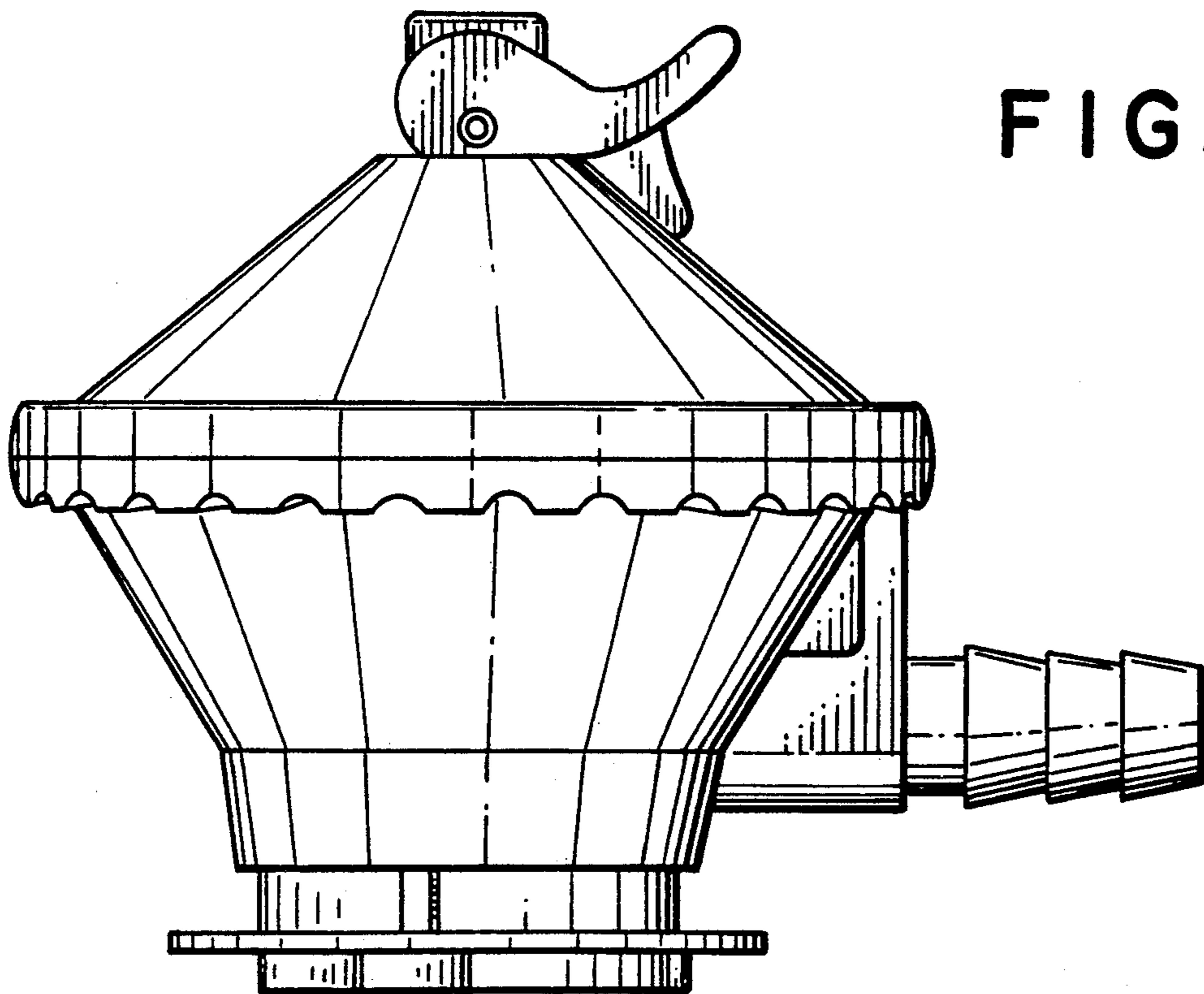


FIG. 5

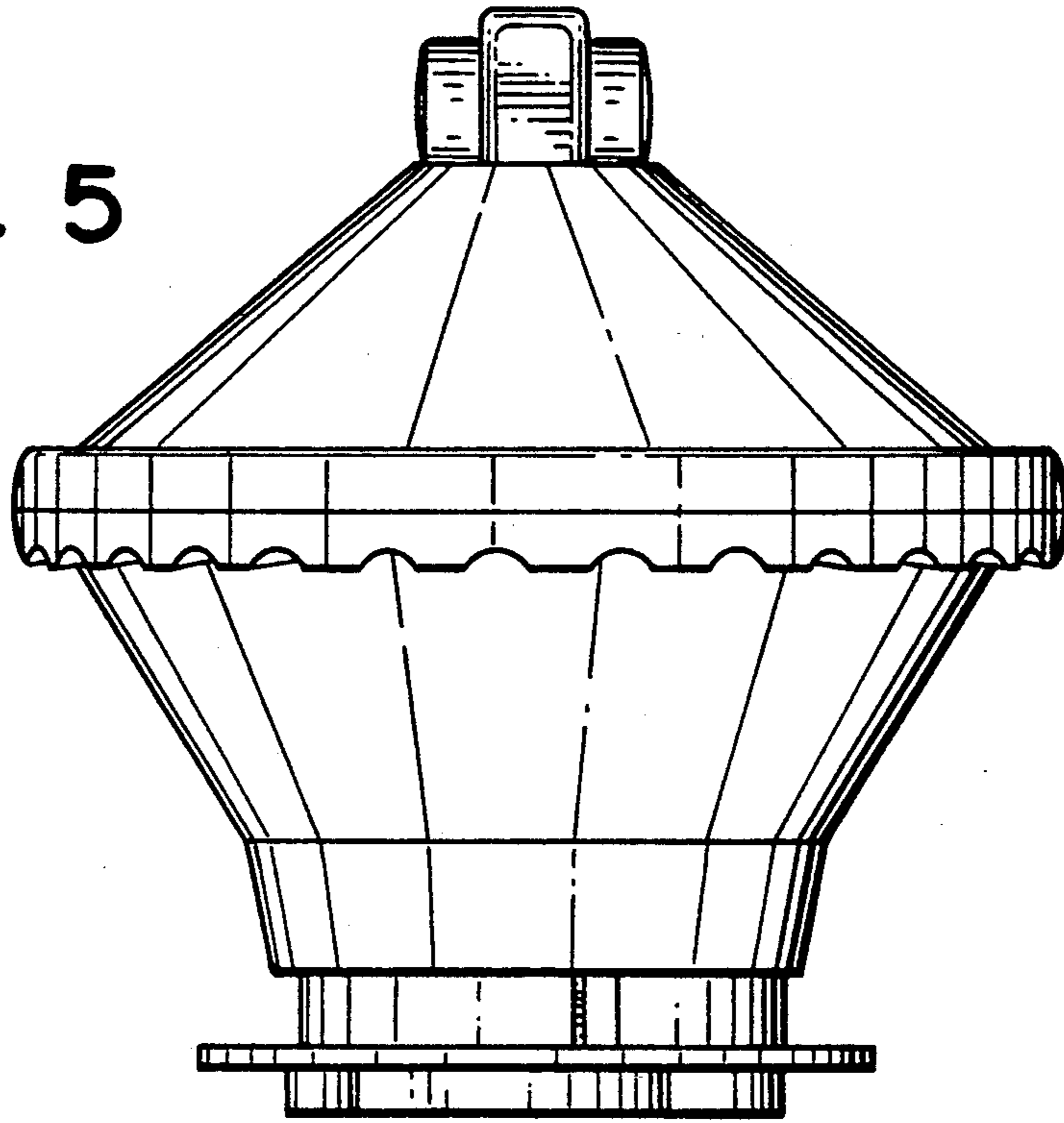
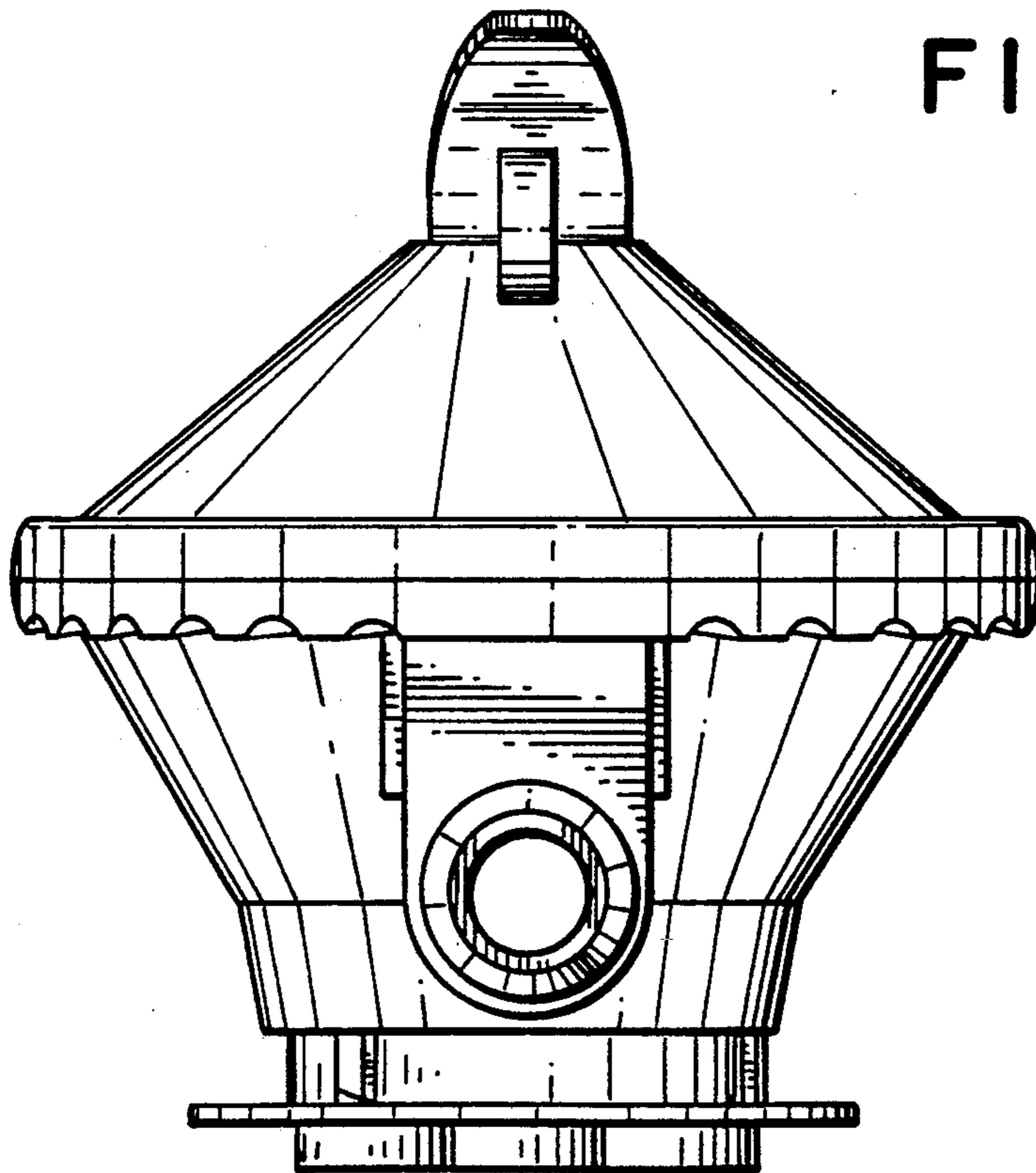


FIG. 6



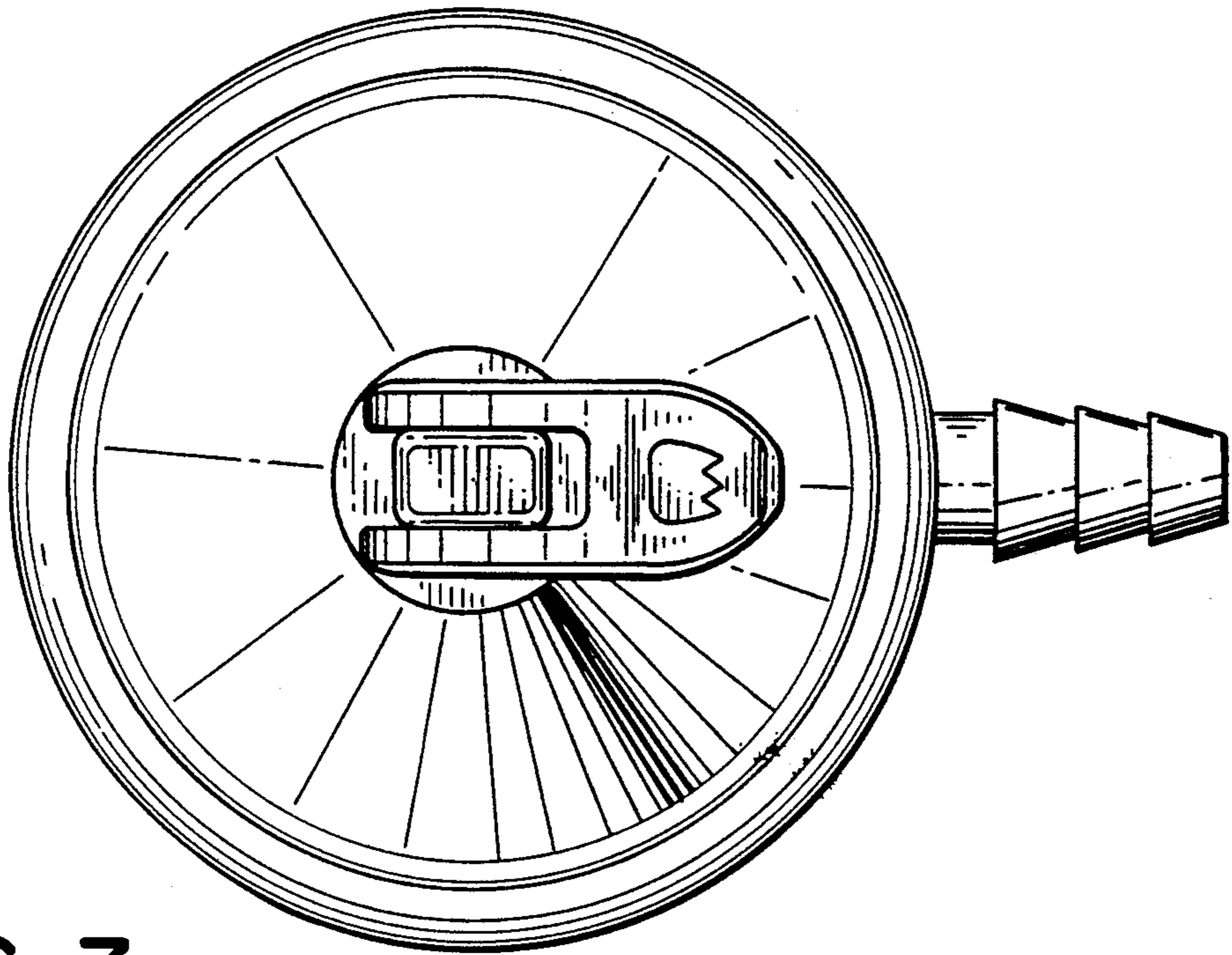


FIG. 7

FIG. 8

