



US00D334795S

**United States Patent** [19]  
**Demarest**

[11] **Patent Number: Des. 334,795**  
[45] **Date of Patent: \*\* Apr. 13, 1993**

[54] **FLUID RESERVOIR FOR A SPRAY GUN**  
[75] **Inventor: Scott W. Demarest, Caledonia, Wis.**  
[73] **Assignee: S. C. Johnson & Son, Inc., Racine, Wis.**  
[\*\*] **Term: 14 Years**  
[21] **Appl. No.: 600,347**

D. 307,392 4/1990 Weckman ..... D9/528  
3,869,089 3/1975 Karasa et al. .... 239/373 X  
4,030,665 6/1977 Koyama ..... 239/332 X

*Primary Examiner—Wallace R. Burke*  
*Assistant Examiner—M. H. Tung*

[22] **Filed: Oct. 17, 1990**  
[52] **U.S. Cl. .... D23/225; D9/523**  
[58] **Field of Search .... D23/200, 223-229; 239/301, 332, 373, 394, 414-415, 525-528, 532, 554, 556, 355, 349, 361; D9/523, 528, 548-549**

[57] **CLAIM**  
The ornamental design for a fluid reservoir for a spray gun, as shown and described.

[56] **References Cited**  
**U.S. PATENT DOCUMENTS**  
D. 102,575 12/1936 Ofeldt ..... D23/213  
D. 233,414 10/1974 Aurio ..... D9/549 X  
D. 242,526 11/1976 Carie ..... D9/523

**DESCRIPTION**  
FIG. 1 is a perspective view of a fluid reservoir for a spray gun showing my new design, the broken line drawing of a spray gun is for illustrative purposes only and forms no part of the claimed design;  
FIG. 2 is a side elevational view thereof;  
FIG. 3 is a top plan view thereof;  
FIG. 4 is a front elevational view thereof;  
FIG. 5 is an opposite side elevational view thereof;  
FIG. 6 is a rear elevational view thereof; and,  
FIG. 7 is a bottom plan view thereof.

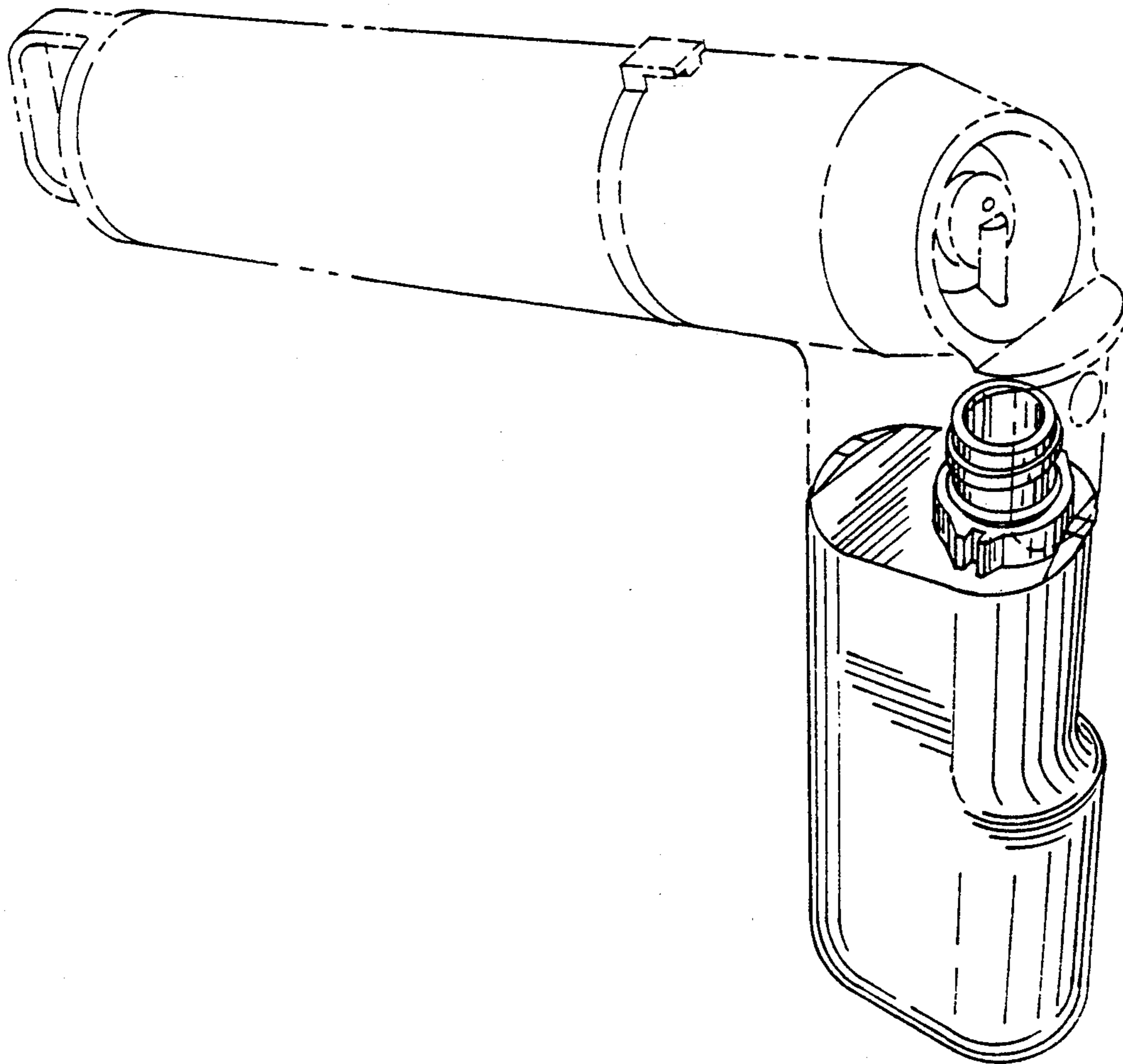


FIG-1-

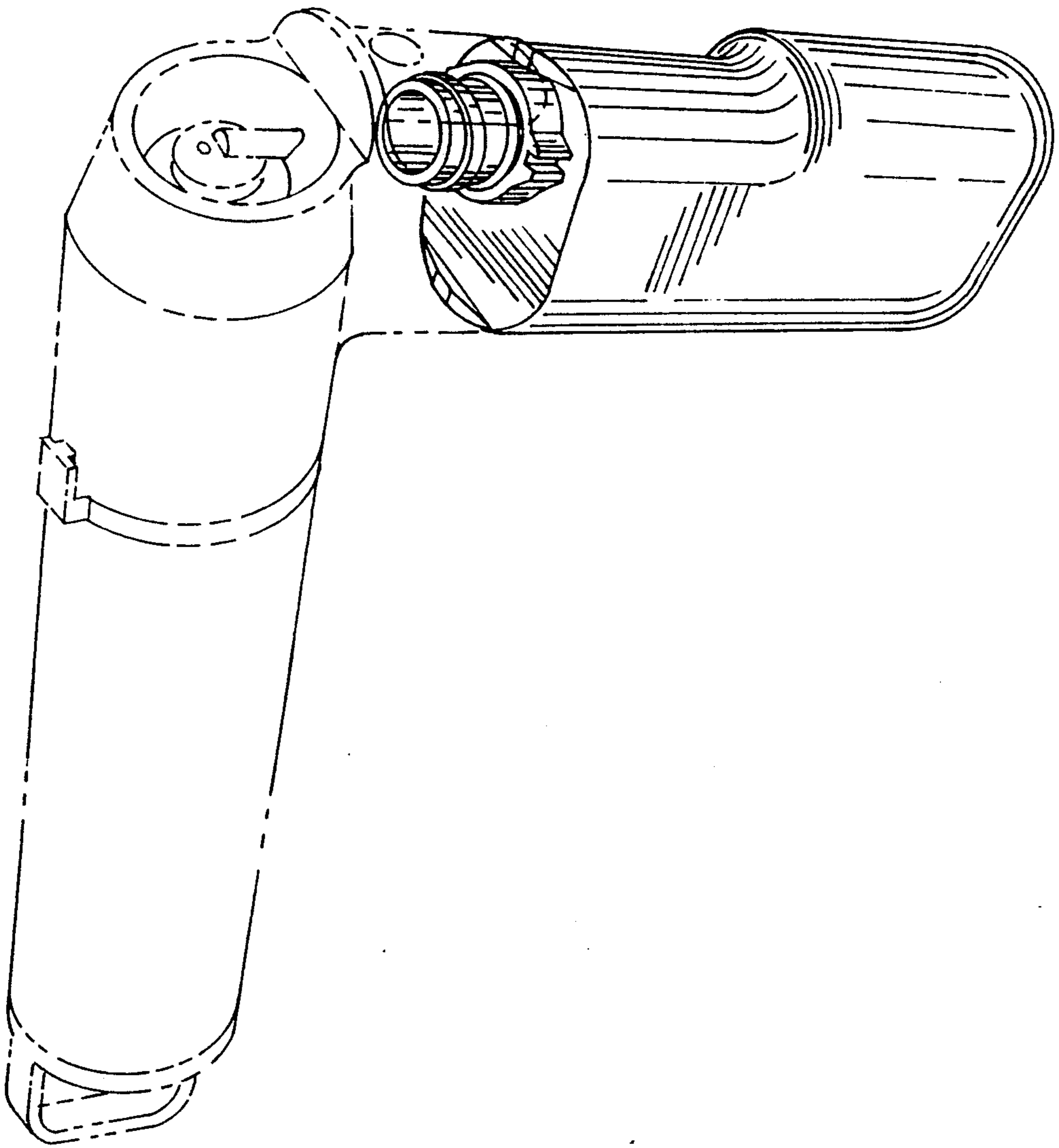


FIG-2-

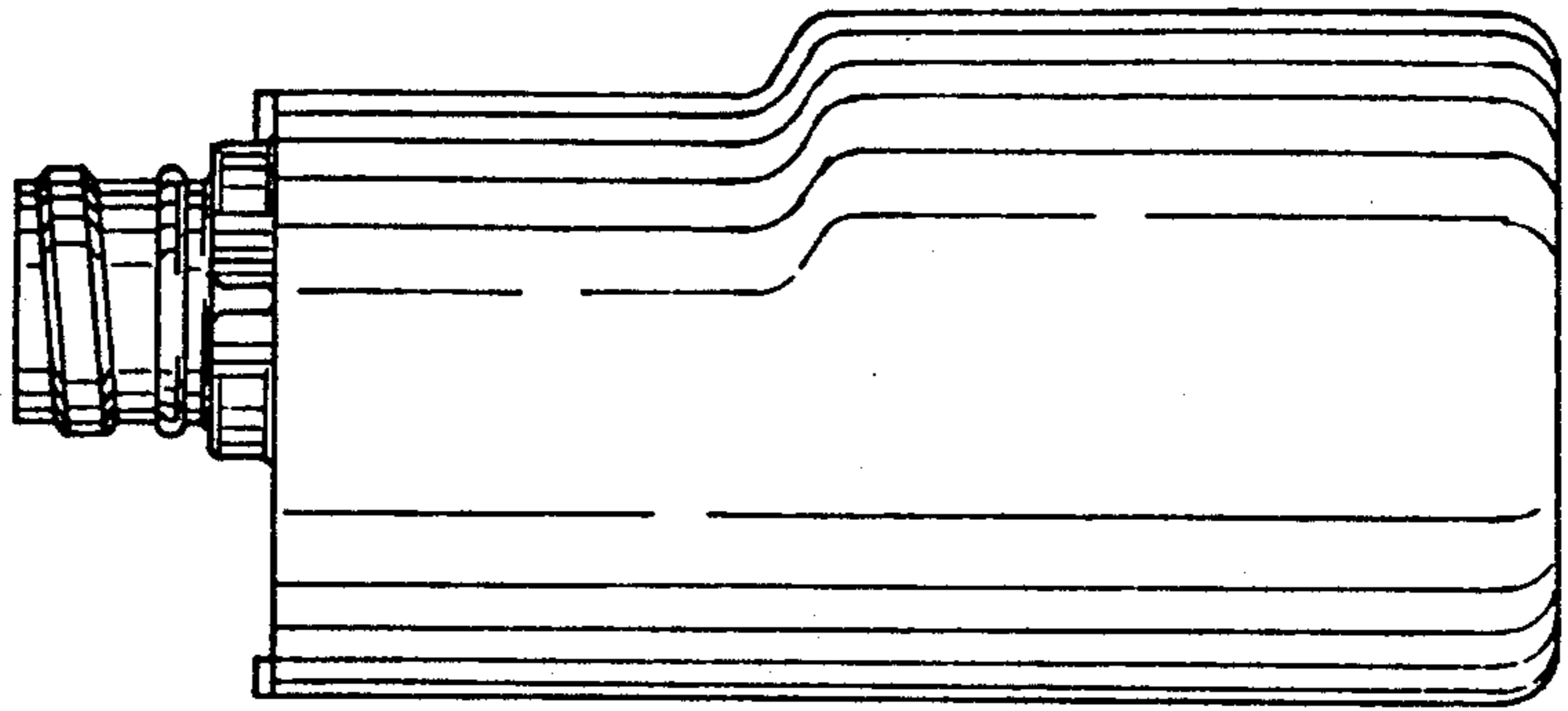


FIG. 3

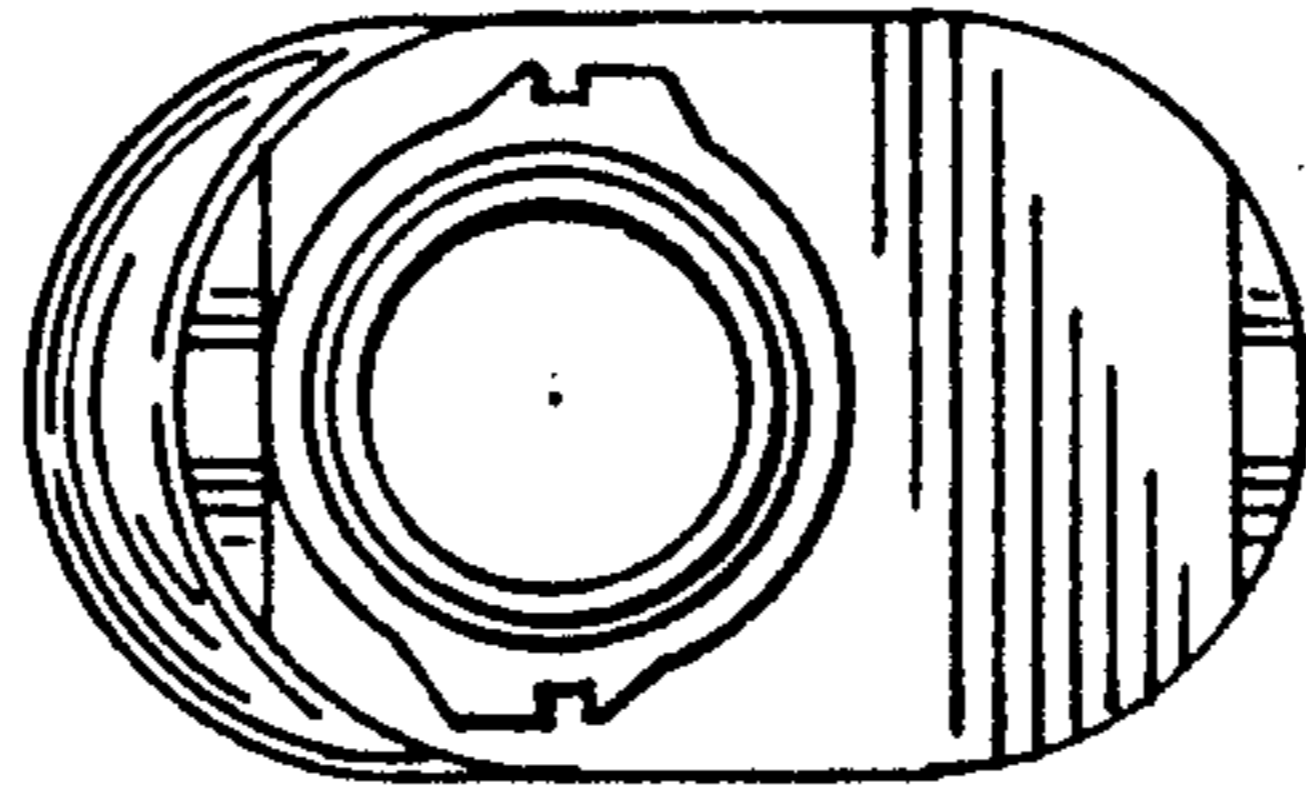


FIG. 4

FIG. 5

FIG. 6

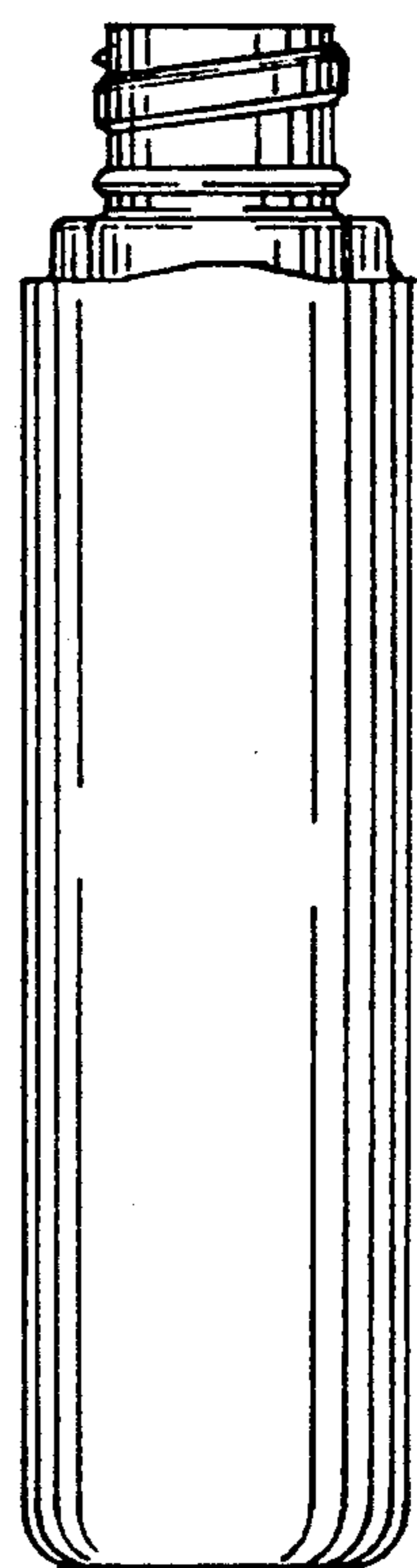
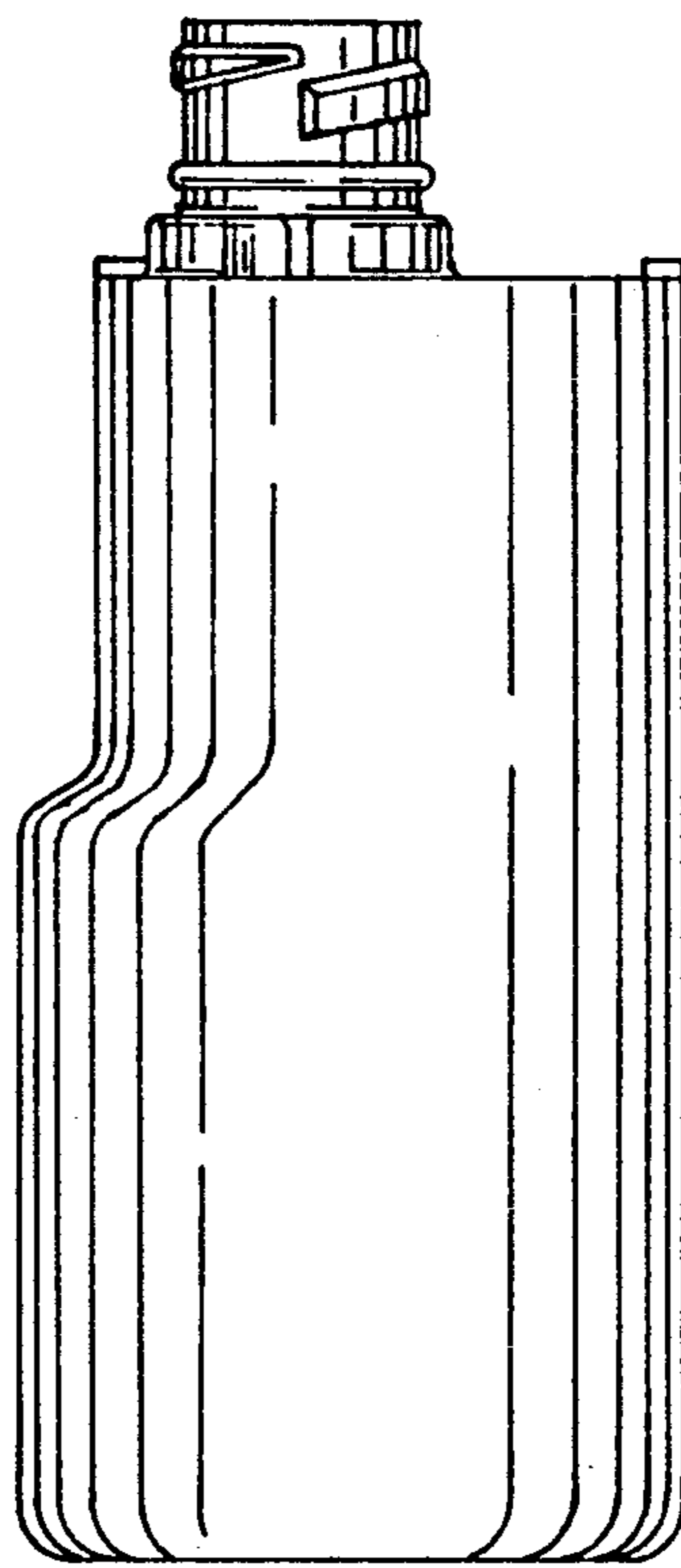
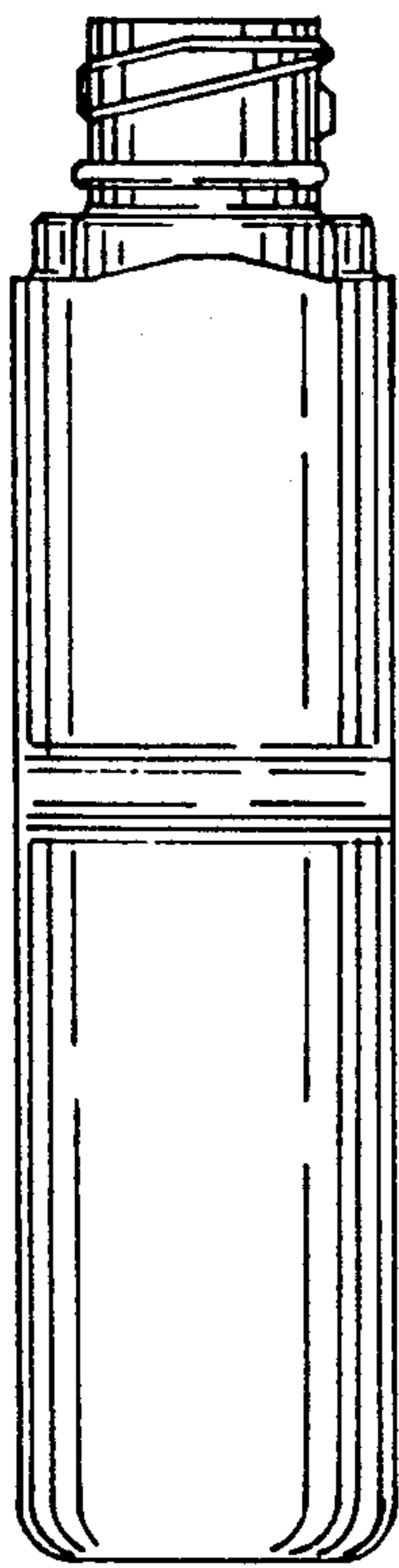


FIG. 7

