



US00D334794S

United States Patent [19]

[11] Patent Number: **Des. 334,794**

Klose

[45] Date of Patent: **** Apr. 13, 1993**

[54] **HOLDER FOR A SHOWER HEAD**

[56] **References Cited**

[75] Inventor: **Odo Klose, Wuppertal, Fed. Rep. of Germany**

U.S. PATENT DOCUMENTS

D. 241,006	8/1976	Wallace	D8/377
D. 274,591	7/1984	Dainen	D8/373
D. 297,811	9/1988	Payan	D8/356
3,826,454	7/1974	Zreger	248/75
3,865,310	2/1975	Elkins et al.	248/75 X
3,946,742	3/1976	Eross	248/75 X
4,903,922	2/1990	Hams, III	248/75

[73] Assignee: **Friedrich Grohe Armaturenfabrik GmbH & Co., Hemer, Fed. Rep. of Germany**

Primary Examiner—Wallace R. Burke
Assistant Examiner—M. H. Tung
Attorney, Agent, or Firm—Herbert Dubno; Ronald Lianides

[**] Term: **14 Years**

[21] Appl. No.: **750,899**

[57] CLAIM

[22] Filed: **Aug. 26, 1991**

The ornamental design for a holder for a shower head, as shown.

[30] Foreign Application Priority Data

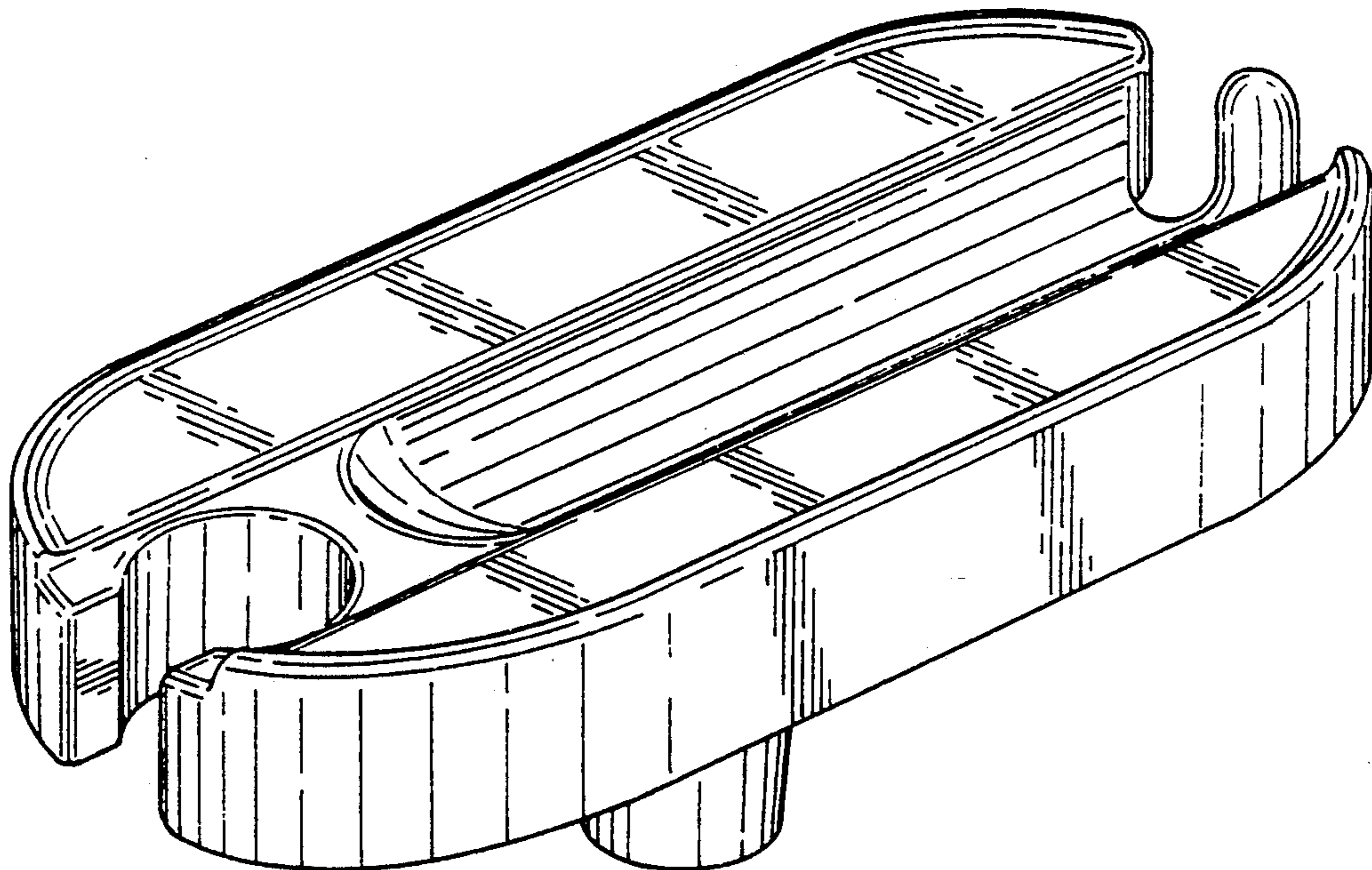
Feb. 25, 1991 [DE] Fed. Rep. of Germany 9101317

[52] U.S. Cl. **D23/213**

[58] Field of Search D8/354, 356, 367, 373, D8/394; D23/213, 223.9; 248/75, 79, 74.3, 309.1, 317, 297.2, 297.3; 239/288.5, 456-460, 550-552, 556-559, 280, 281-283, 567-570, 599-603, 596, 617

DESCRIPTION

FIG. 1 is a front, left side, top perspective view of a holder for a shower head showing my new design; FIG. 2 is a front elevational view thereof; FIG. 3 is a bottom plan view thereof; FIG. 4 is an inverted rear elevational view thereof; FIG. 5 is a top plan view thereof; FIG. 6 is a right side elevational view thereof; and, FIG. 7 is a left side elevational view thereof.



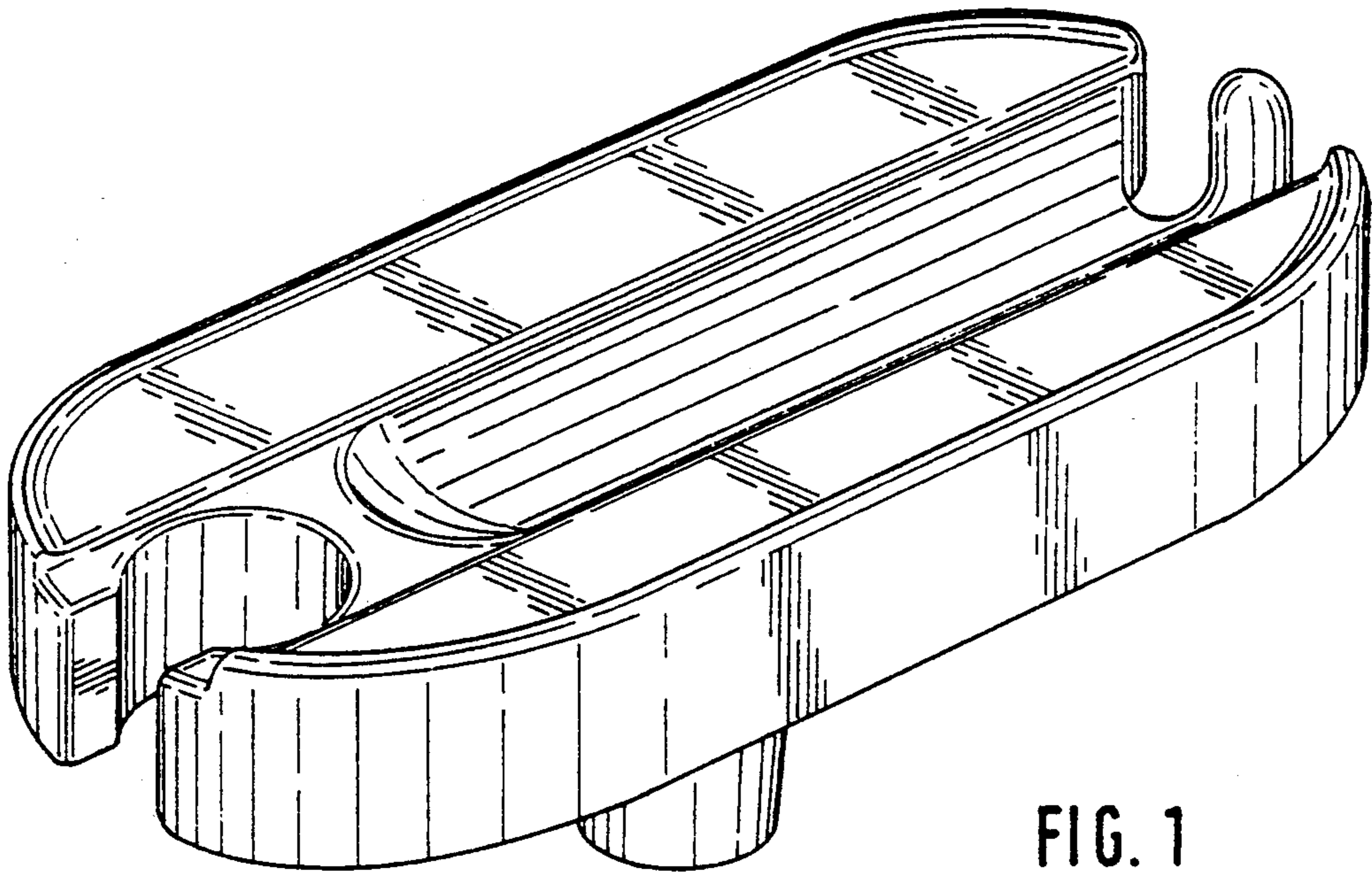


FIG. 1

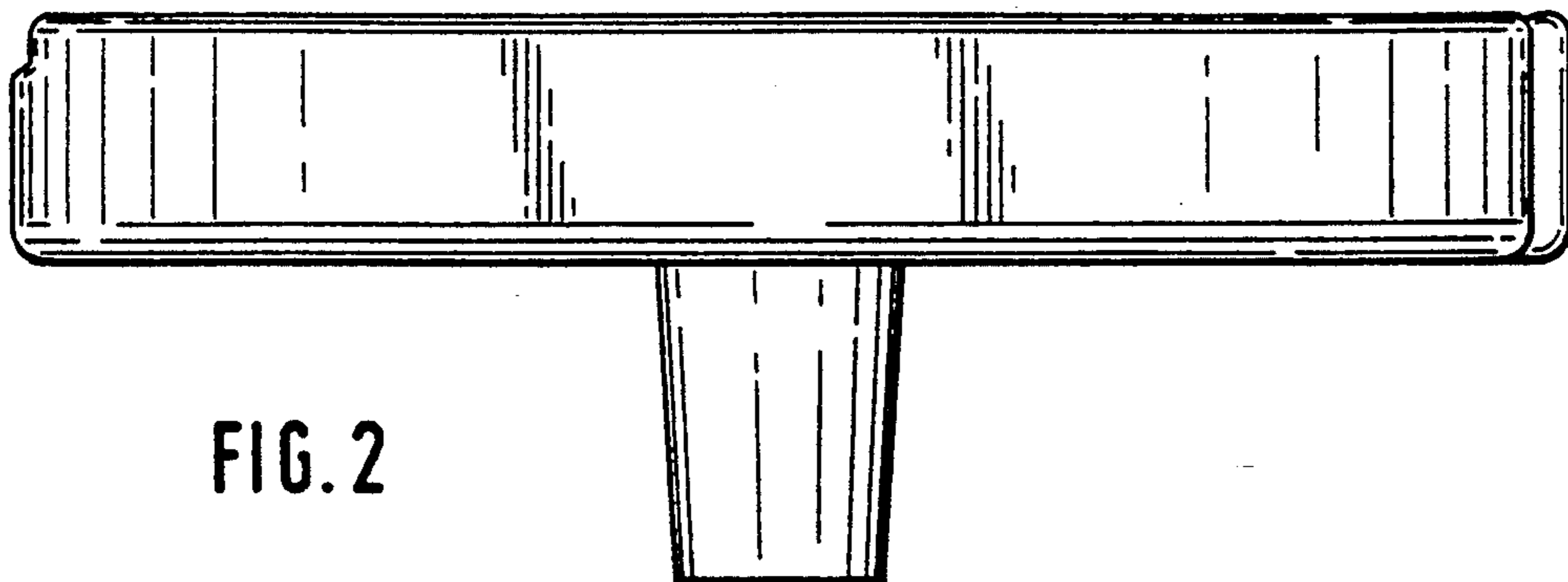


FIG. 2

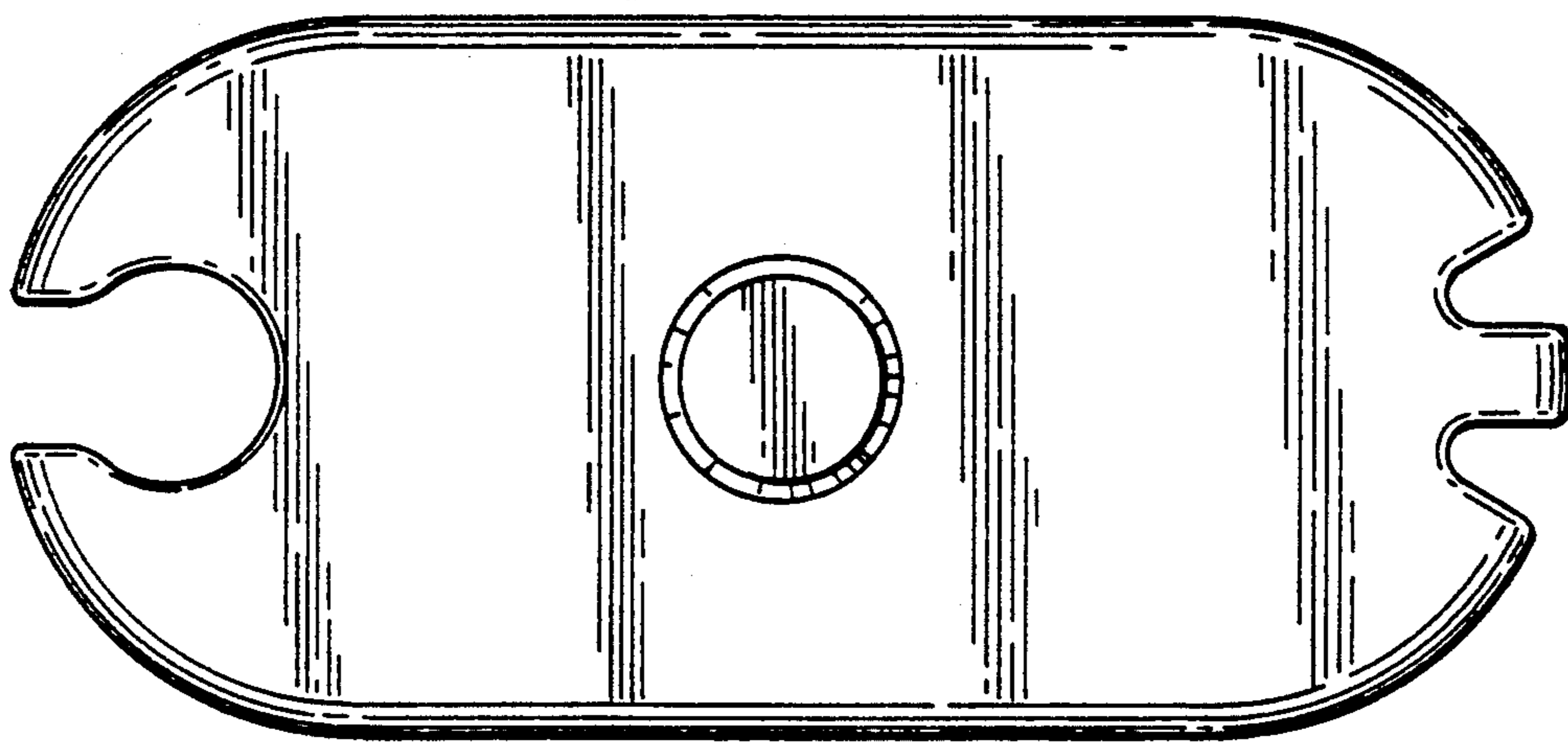


FIG. 3

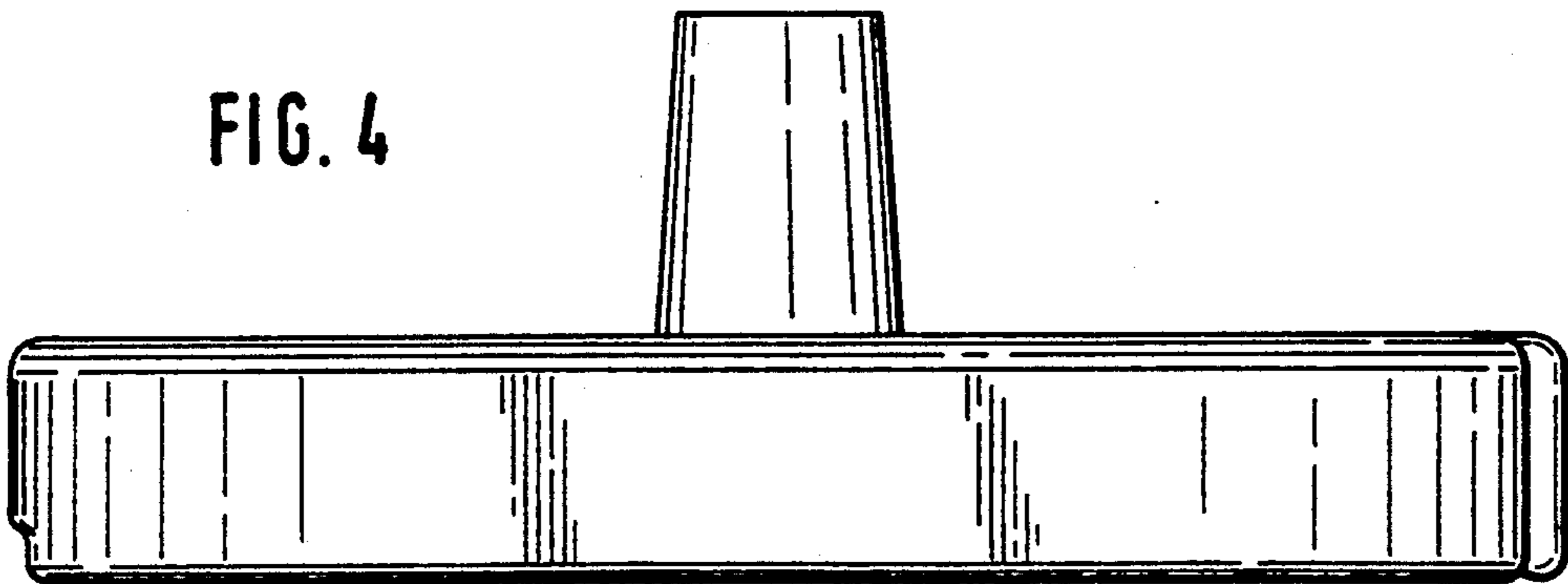


FIG. 4

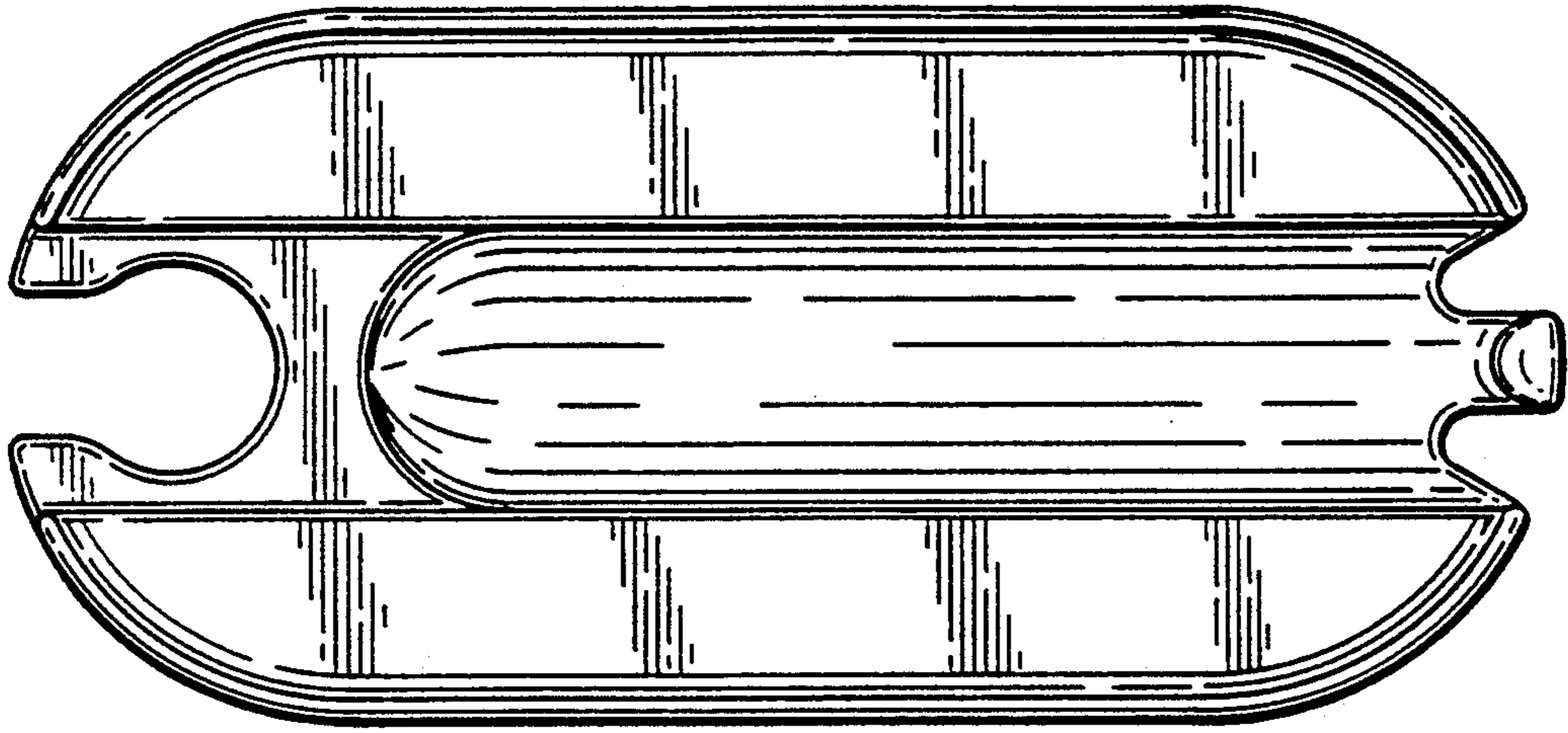


FIG. 5

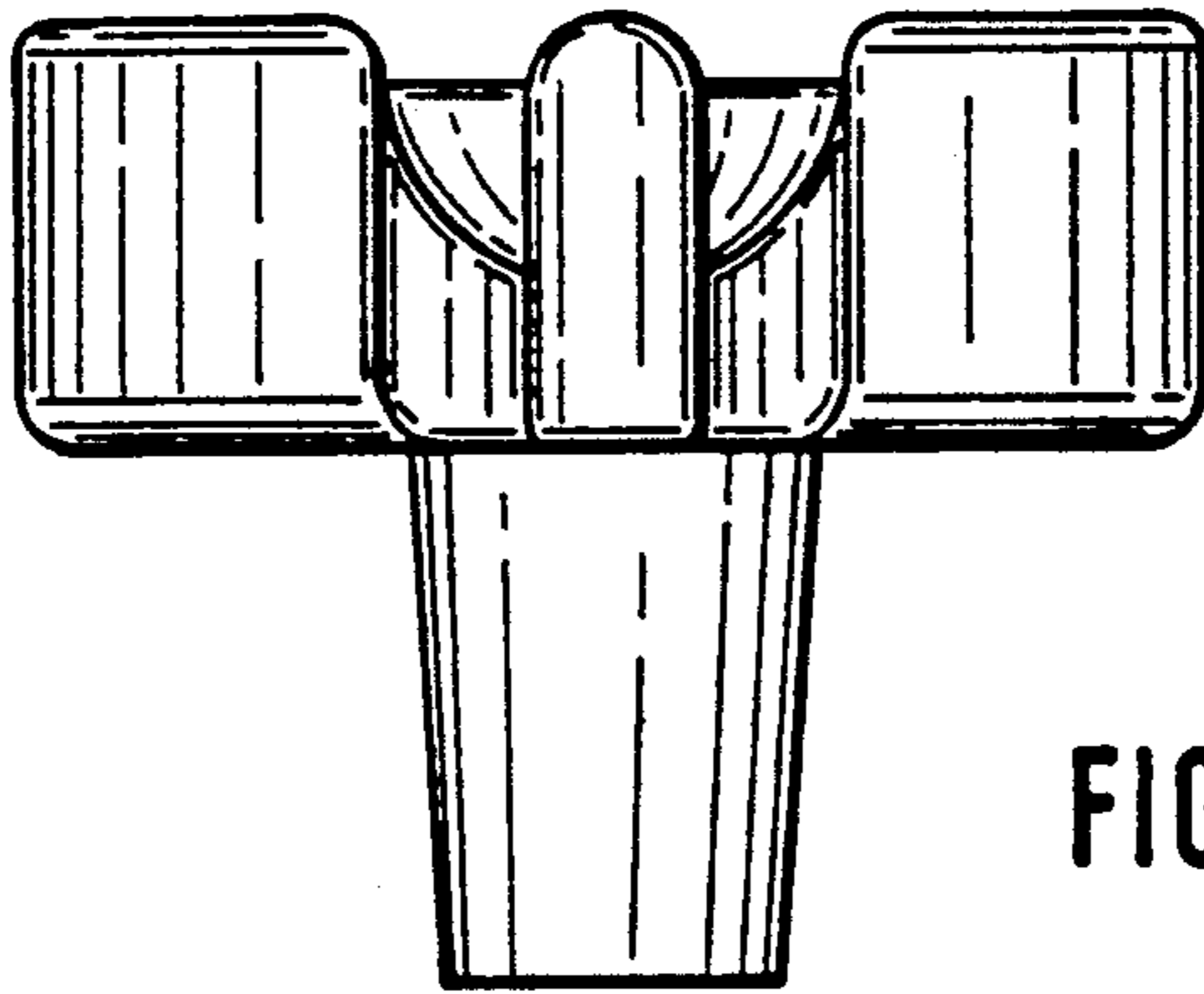


FIG. 6

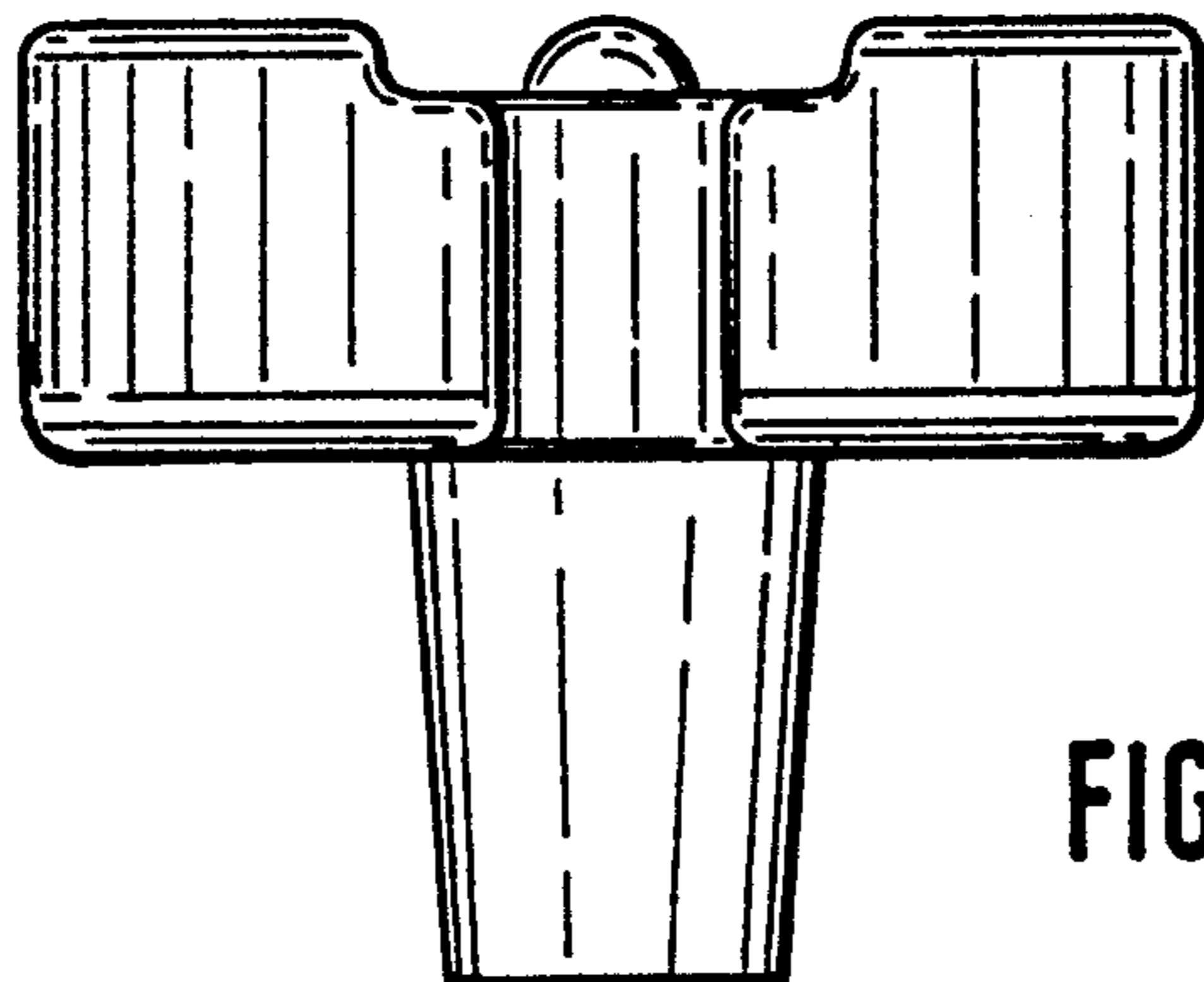


FIG. 7