



US00D334791S

United States Patent [19]

[11] Patent Number: **Des. 334,791**

Collins

[45] Date of Patent: **** Apr. 13, 1993**

[54] **COMBINED KNIFE AND SHEATH**

4,821,356	4/1989	Finn	30/342	X
4,835,863	6/1989	Salandre	30/151	X
4,964,554	10/1990	Collins	30/151	
5,067,239	11/1991	Collins	30/151	

[75] Inventor: **Walter W. Collins, North, S.C.**

[73] Assignee: **Wenoka Sea Style, Div. of Schur, Inc., West Palm Beach, Fla.**

[**] Term: **14 Years**

Primary Examiner—A. Hugo Word
Assistant Examiner—Doris V. Coles
Attorney, Agent, or Firm—Wolf Greenfield & Sacks

[21] Appl. No.: **657,320**

[57] **CLAIM**

[22] Filed: **Feb. 15, 1991**

The ornamental design for a combined knife and sheath, as shown and described.

[52] U.S. Cl. **D22/118; D3/102**

[58] Field of Search **D22/118; D3/102; 30/151, 342, 161, 164, 162, 152; 224/232, 245**

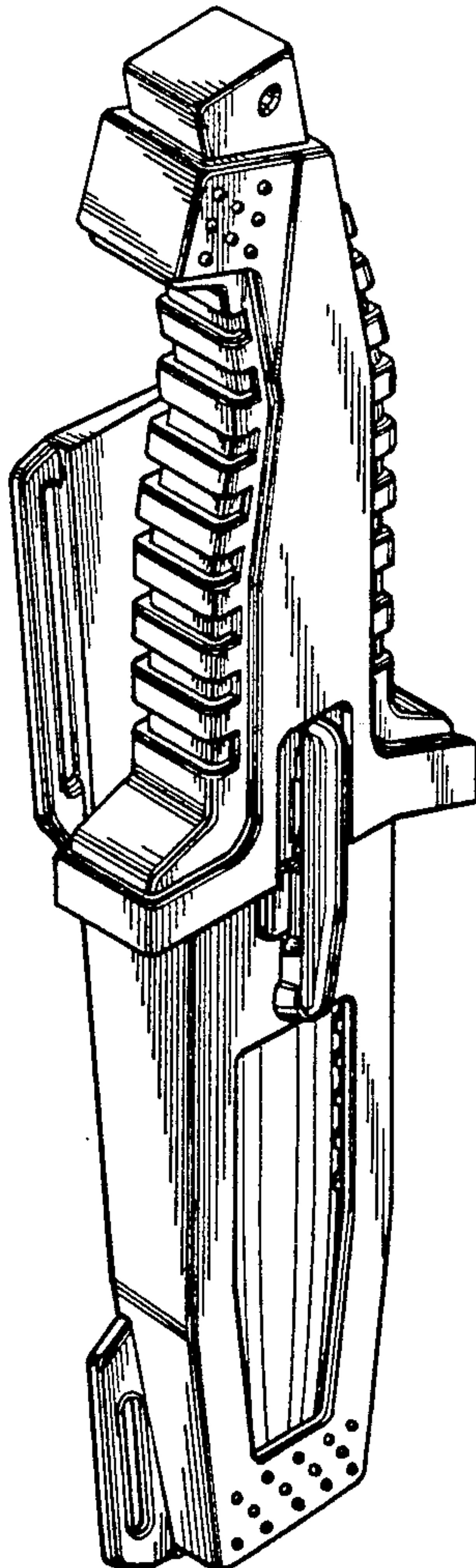
DESCRIPTION

[56] **References Cited**

U.S. PATENT DOCUMENTS

D. 303,001	8/1989	Su	D22/118
D. 317,037	5/1991	Koshiishi	D22/118
2,597,258	5/1952	Papp	30/342
2,859,516	11/1958	McQueary	30/151
2,901,823	9/1959	Widen	30/151
2,910,216	10/1959	Bennett	30/151
3,958,330	5/1976	Hutchens	30/151
4,803,745	2/1989	Izquierdo	30/151 X

FIG. 1 is a perspective view of a combined knife and sheath, showing my new design;
FIG. 2 is a front elevational view thereof;
FIG. 3 is a right side elevational view thereof;
FIG. 4 is a rear elevational view thereof;
FIG. 5 is a left side elevational view thereof;
FIG. 6 is a top plan view thereof;
FIG. 7 is a bottom plan view thereof;
FIG. 8 is a perspective view of the knife, the opposite side being the same; and,
FIG. 9 is a perspective view of the sheath.



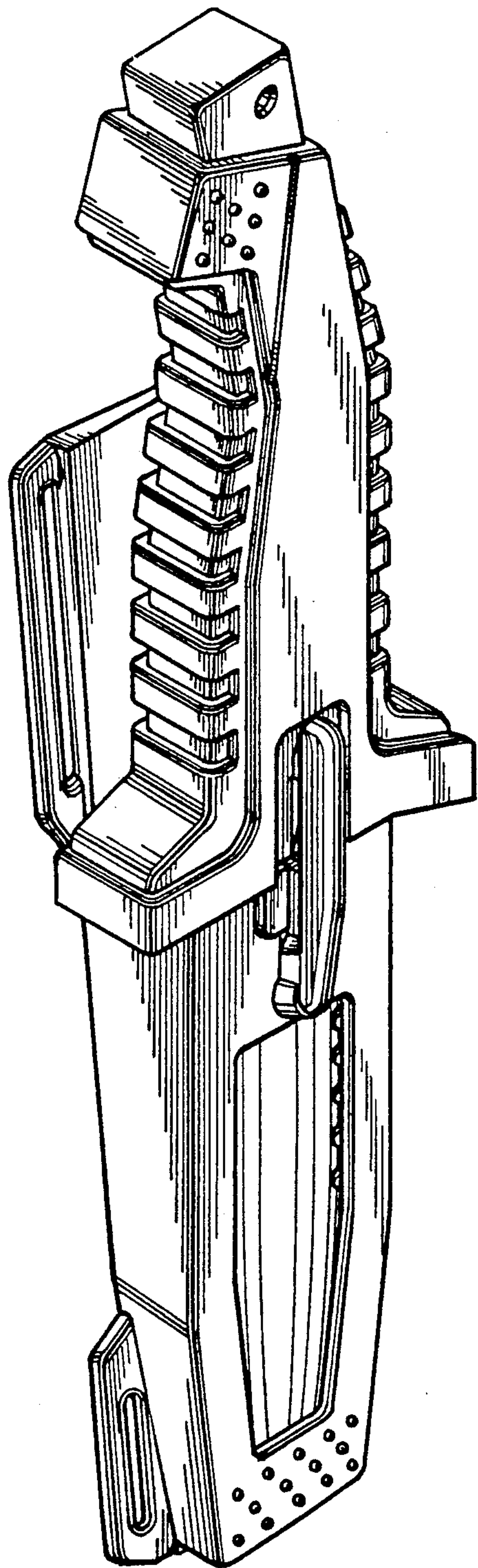


Fig. 1

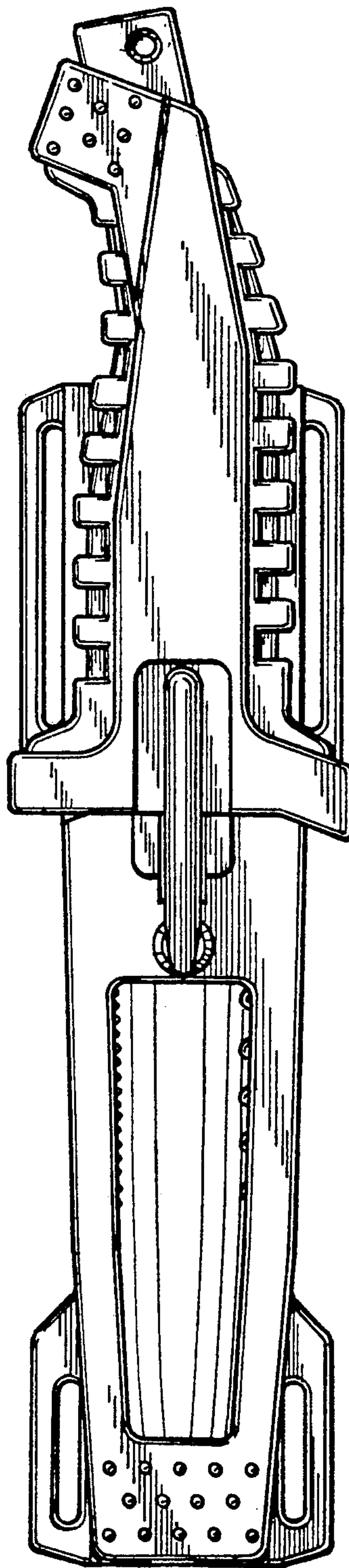


Fig. 2

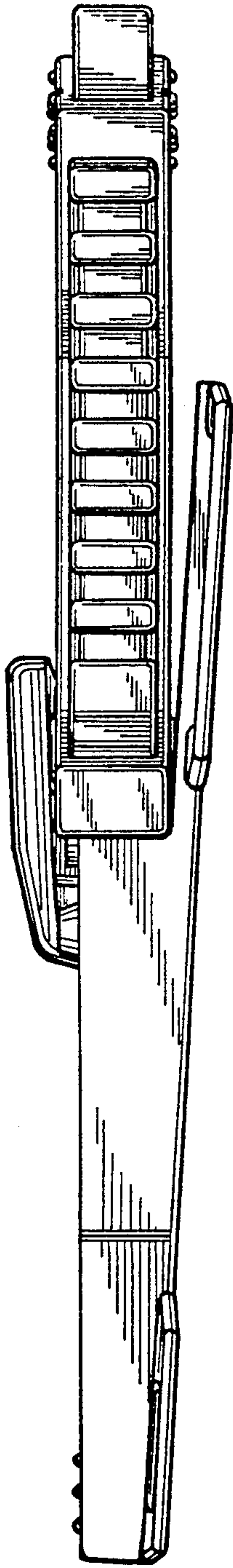


Fig. 3

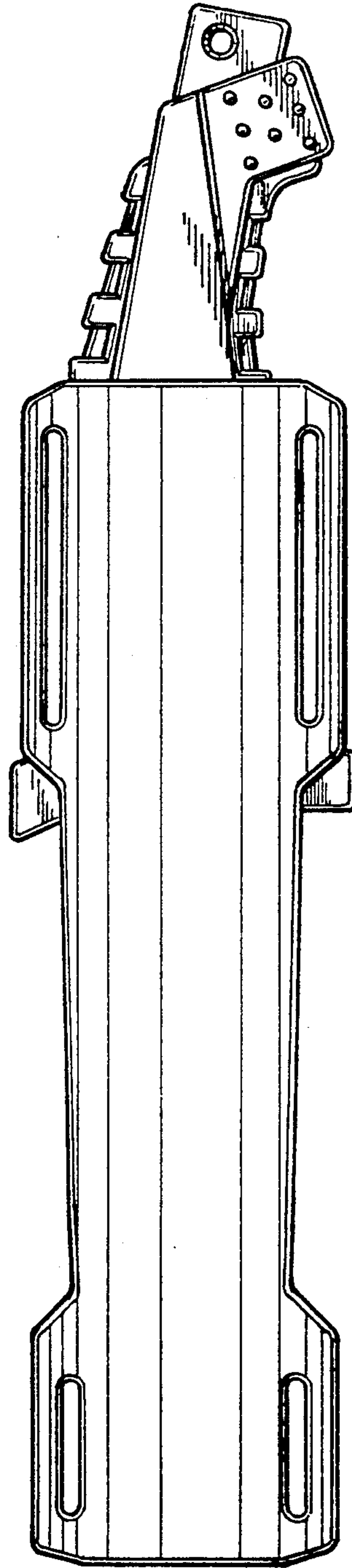


Fig. 4

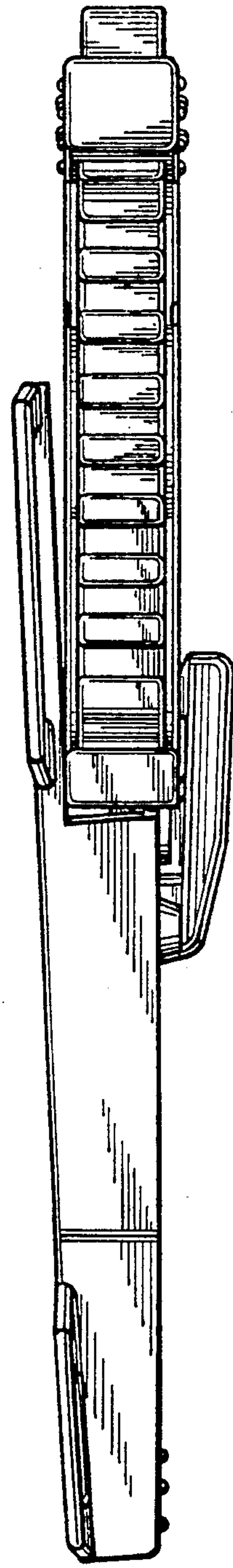


Fig. 5

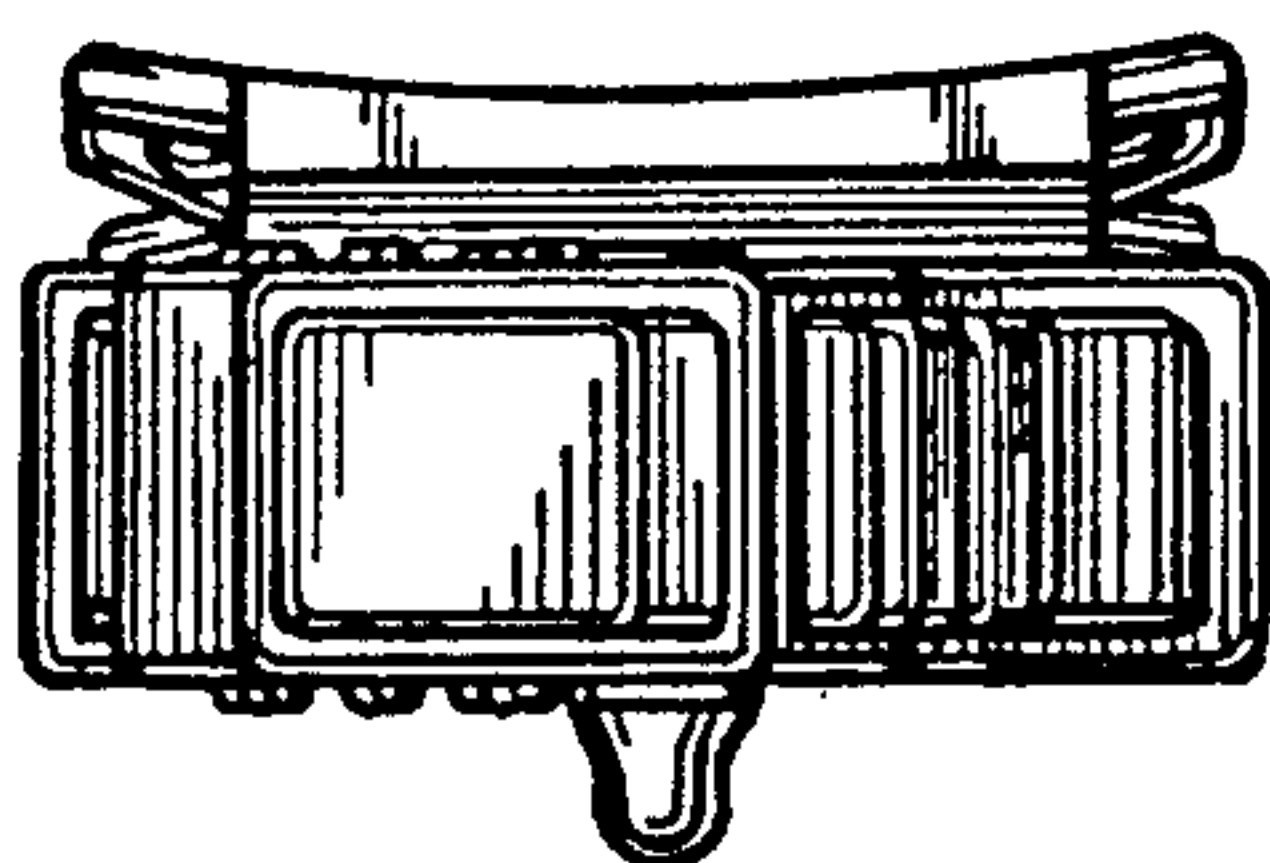


Fig. 6

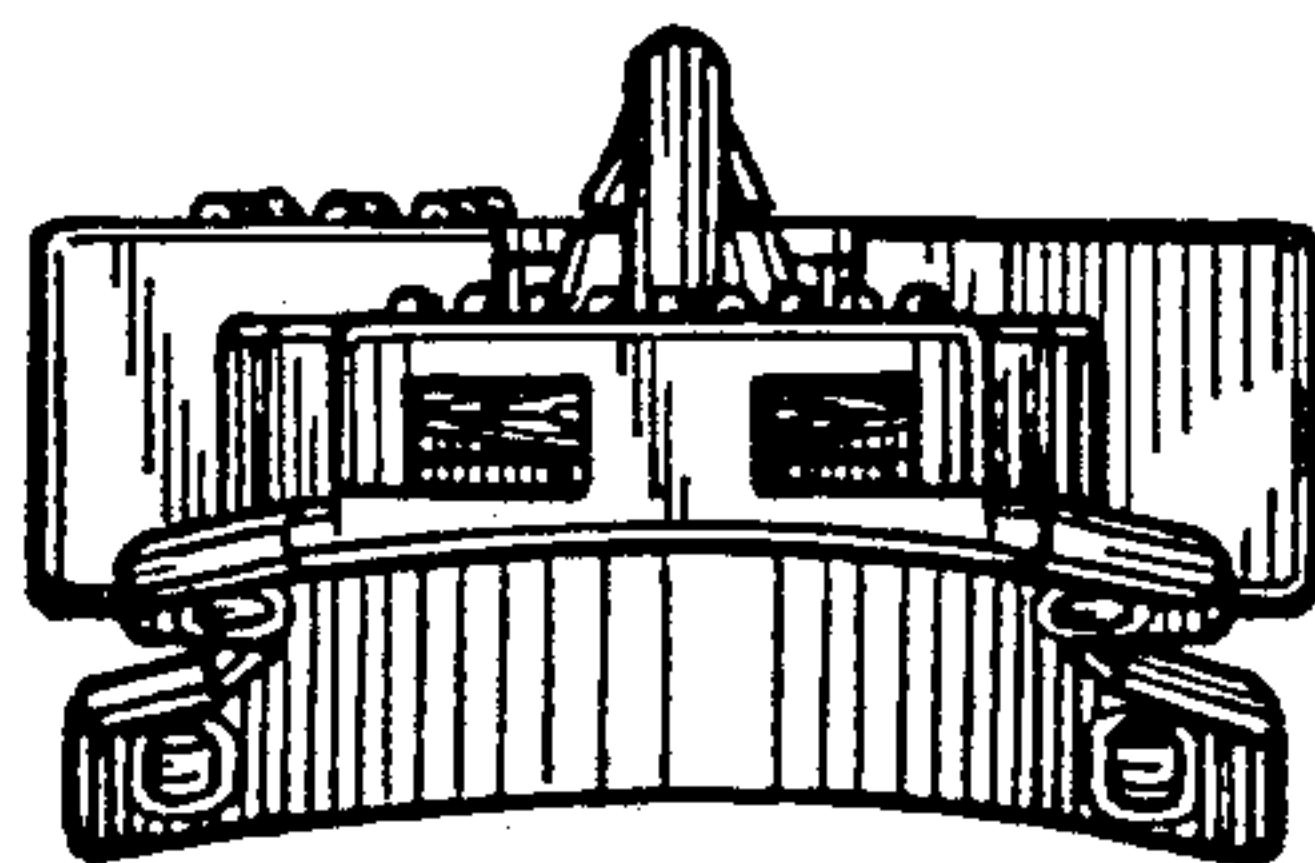


Fig. 7

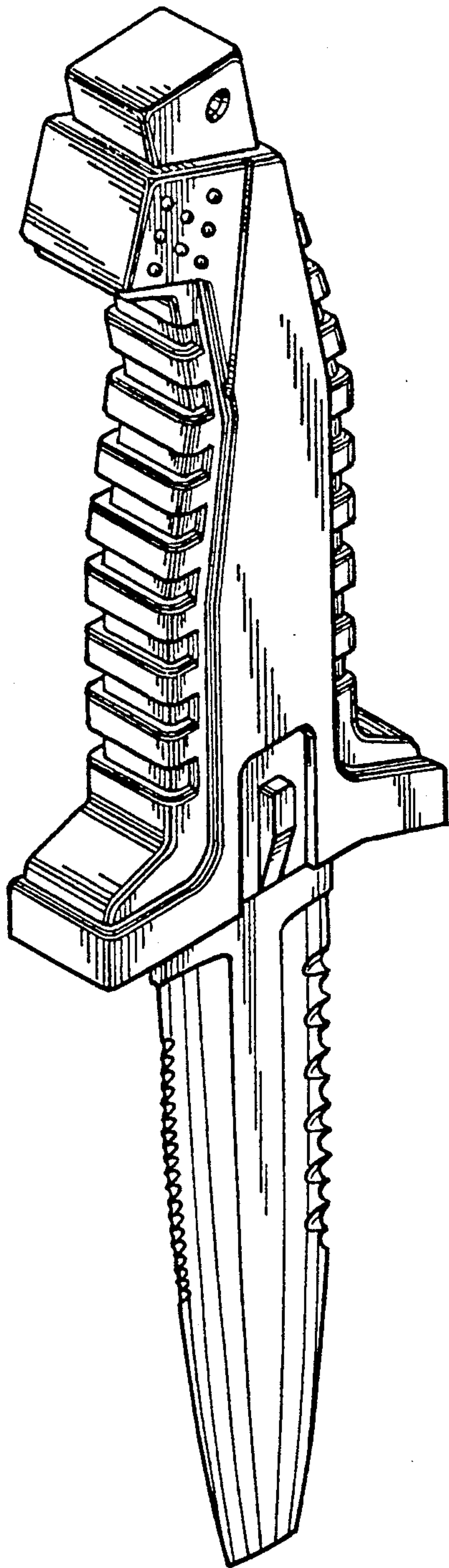


Fig. 8

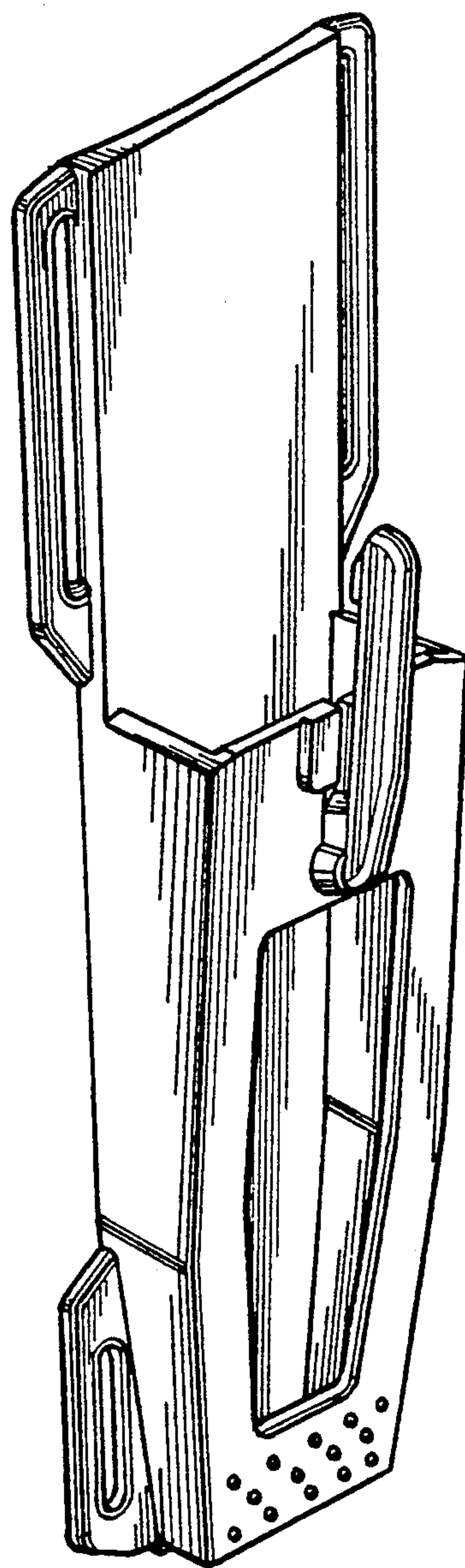


Fig. 9