



US00D334787S

# United States Patent [19]

Bickford

[11] Patent Number: **Des. 334,787**

[45] Date of Patent: **\*\* Apr. 13, 1993**

- [54] **GLIDER AMUSEMENT RIDE**
- [76] Inventor: **Gary L. Bickford, 311 Hunter Blvd., Browns Mills, N.J. 08015**
- [\*\*] Term: **14 Years**
- [21] Appl. No.: **563,962**
- [22] Filed: **Aug. 3, 1990**
- [52] U.S. Cl. .... **D21/242; D21/244**
- [58] Field of Search ..... **D21/240-250; 472/130, 20, 26, 27, 31, 32, 36; D6/487, 499**

3,295,224 1/1967 Cappel ..... 472/130 X  
 3,355,580 11/1967 Wachs ..... 472/32 X

*Primary Examiner*—Bernard Ansher  
*Assistant Examiner*—Prabhakar Deshmukh  
*Attorney, Agent, or Firm*—Abdallah & Muckelroy

### [57] CLAIM

The ornamental design for a glider amusement ride, as shown and described.

### DESCRIPTION

FIG. 1 is a top perspective view of a glider amusement ride showing my new design;  
 FIG. 2 is a top plan view thereof;  
 FIG. 3 is a rear elevational view thereof;  
 FIG. 4 is a left side elevational view thereof;  
 FIG. 5 is a front elevational view thereof;  
 FIG. 6 is a right side elevational view thereof; and,  
 FIG. 7 is a bottom plan view thereof.

- [56] **References Cited**
- U.S. PATENT DOCUMENTS**
- D. 199,450 10/1964 McDonald ..... D21/247 X
- D. 246,477 11/1977 Callecod ..... D21/242
- D. 311,468 10/1990 Martin ..... D6/487
- 1,896,175 2/1933 Huffman ..... 472/130 X
- 3,093,372 6/1963 Cirami ..... D21/247 X

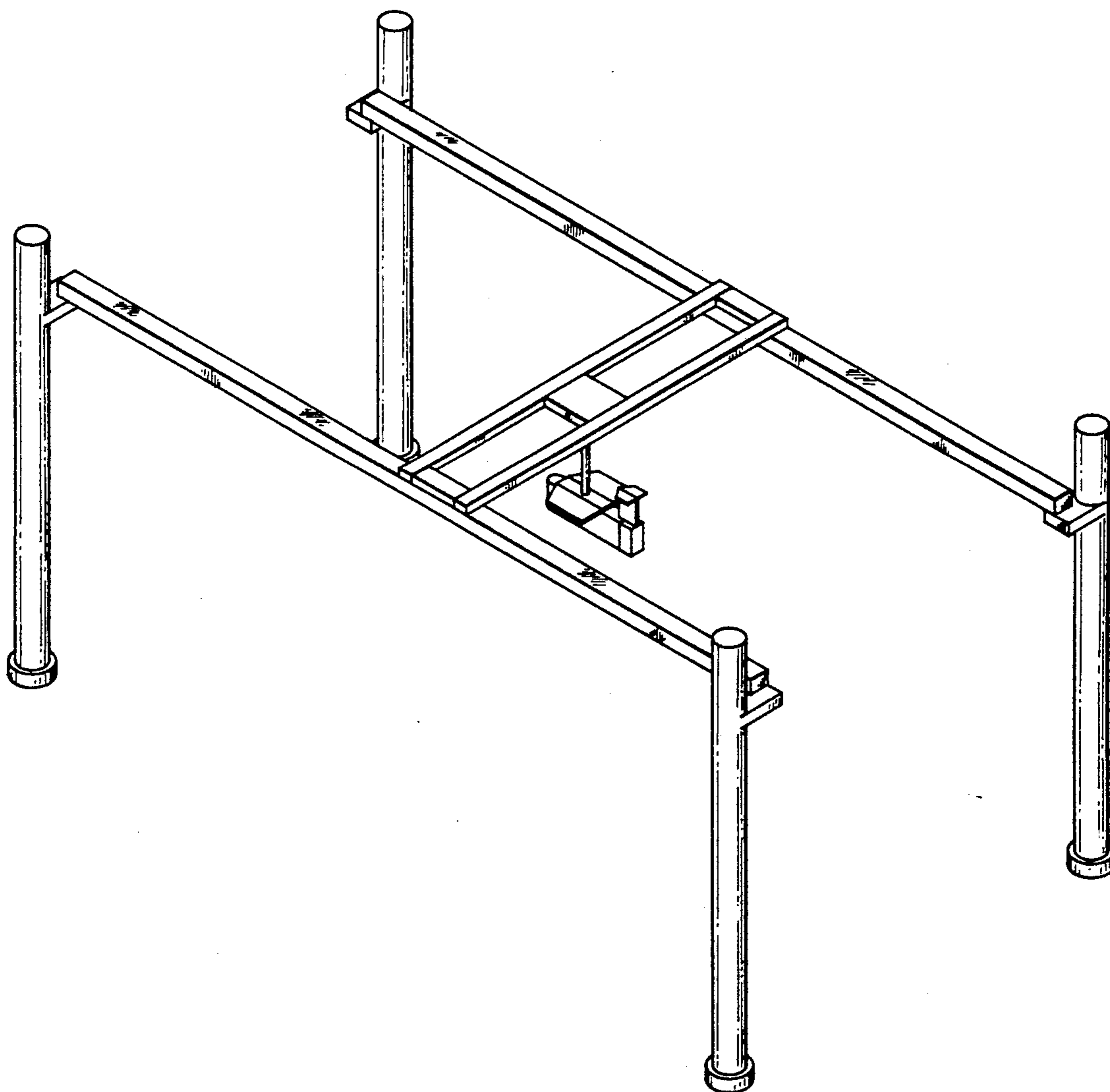


FIG. 1

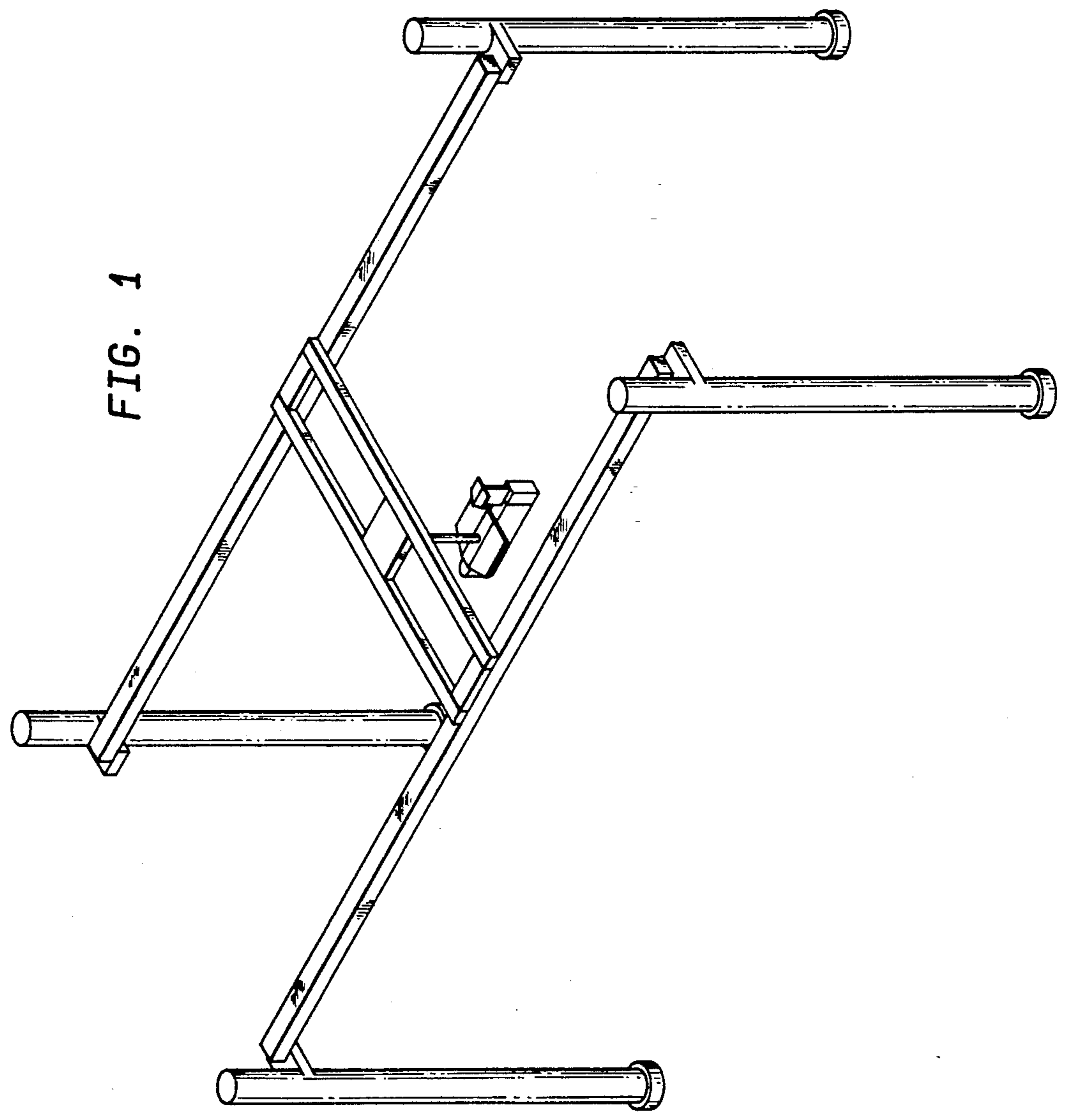


FIG. 3

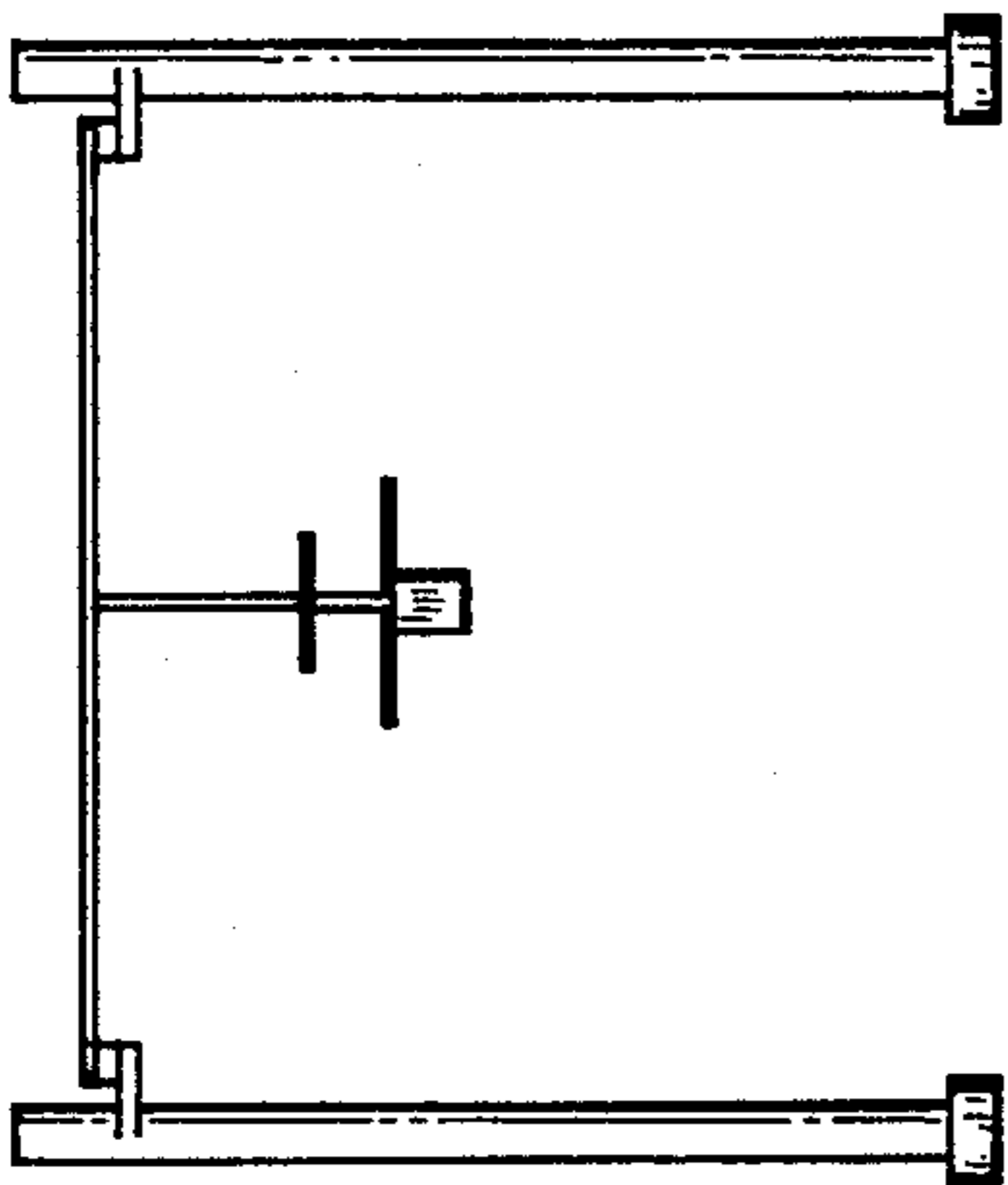


FIG. 4

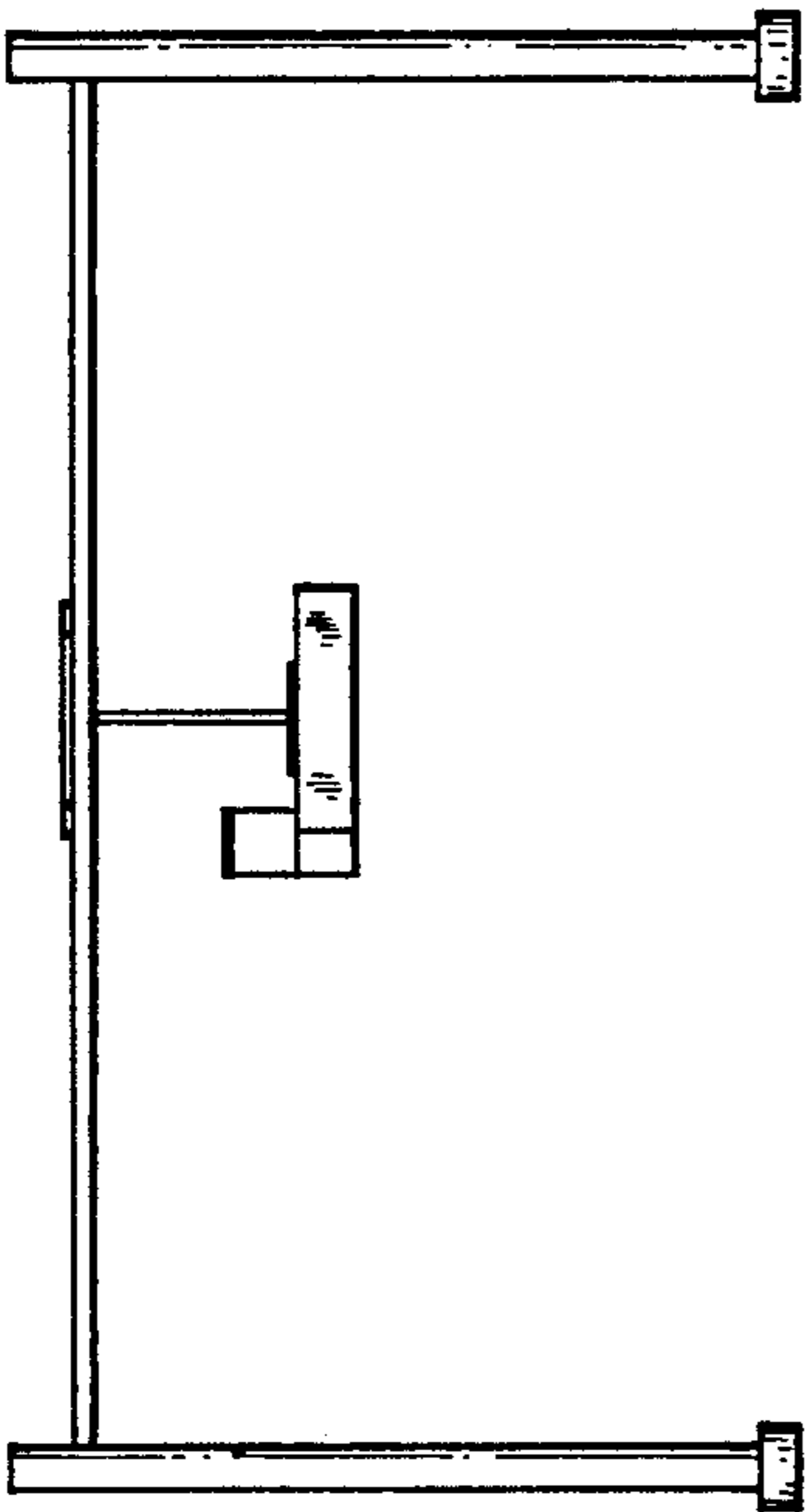


FIG. 5

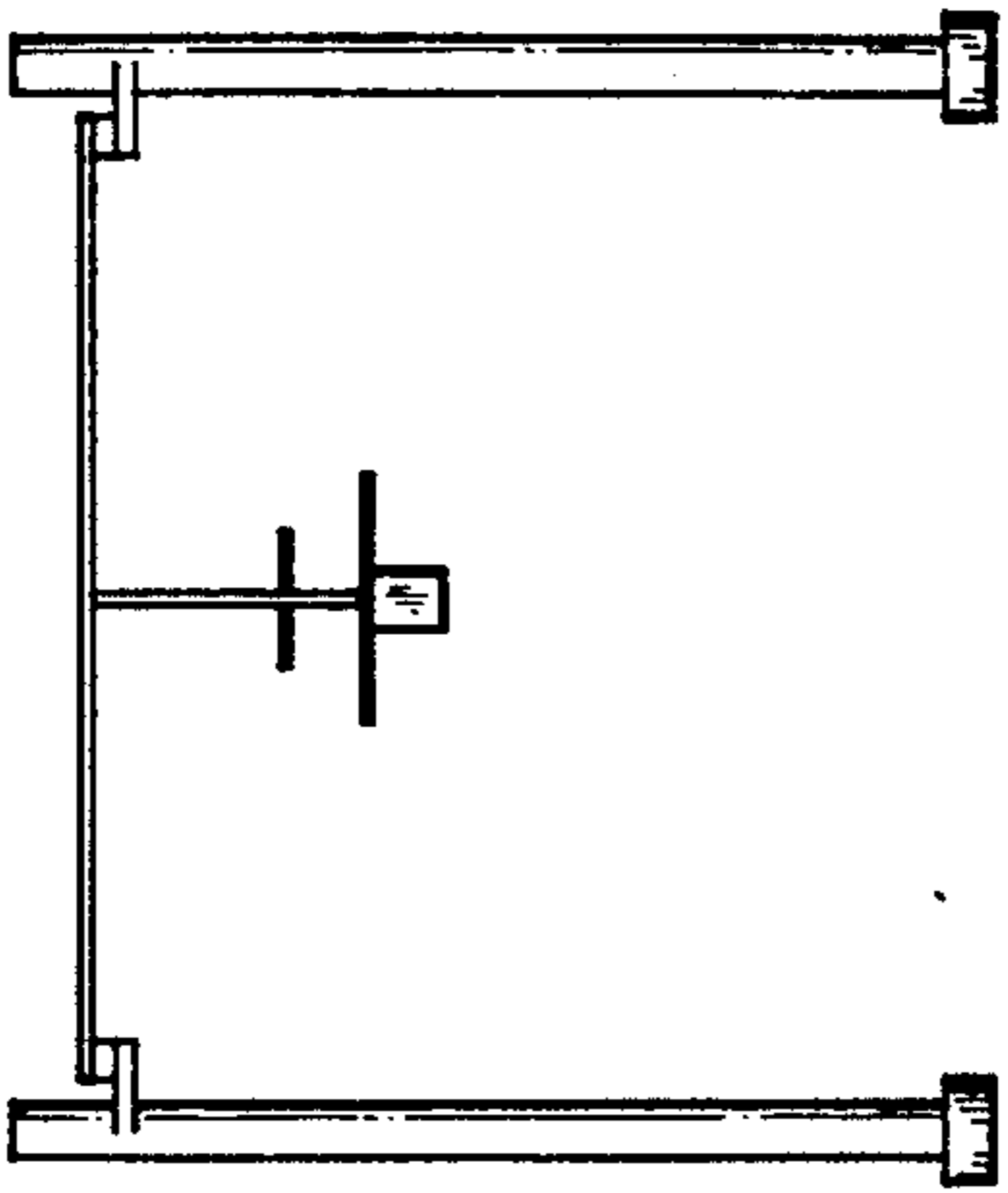


FIG. 6

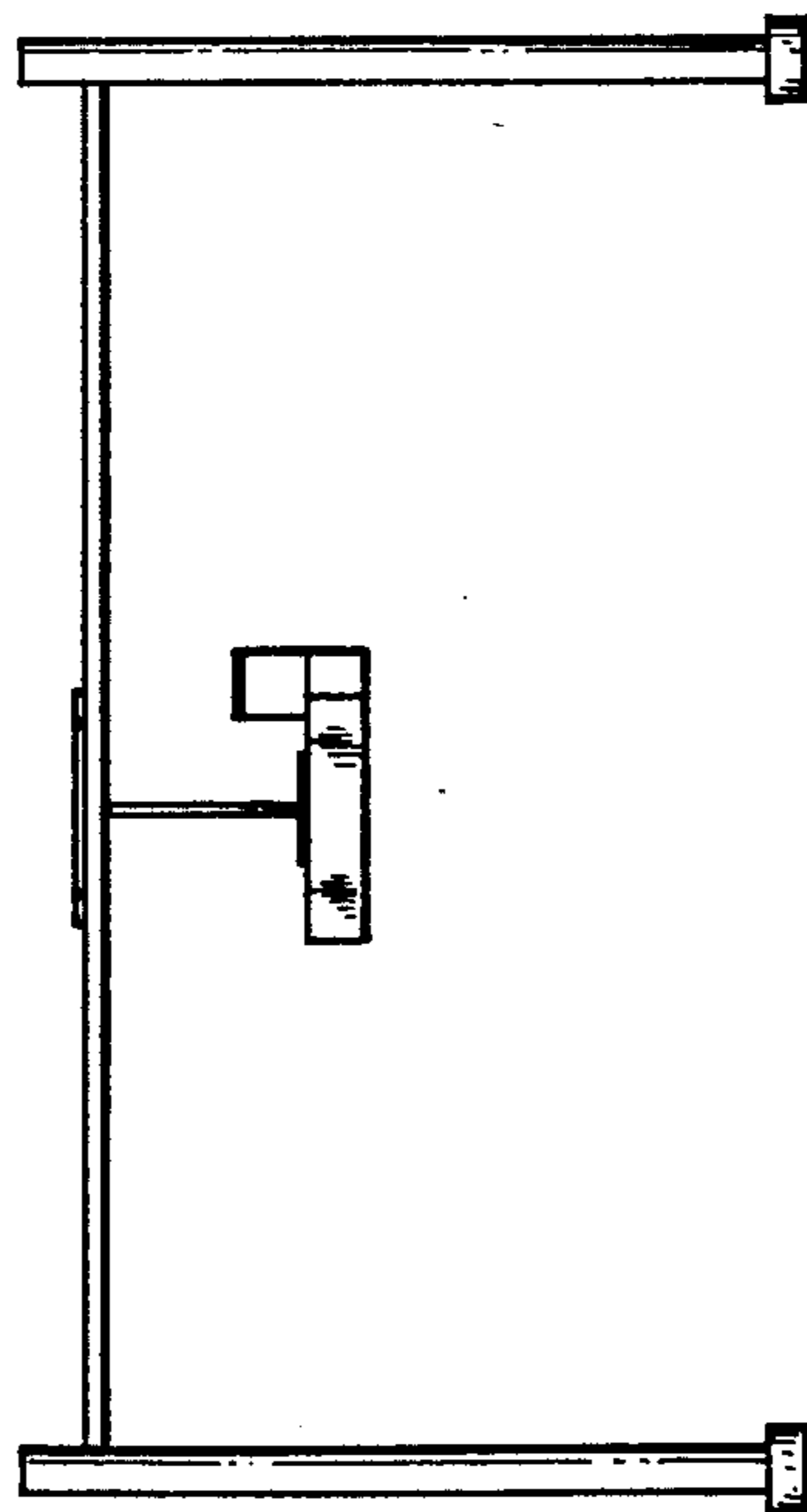


FIG. 2

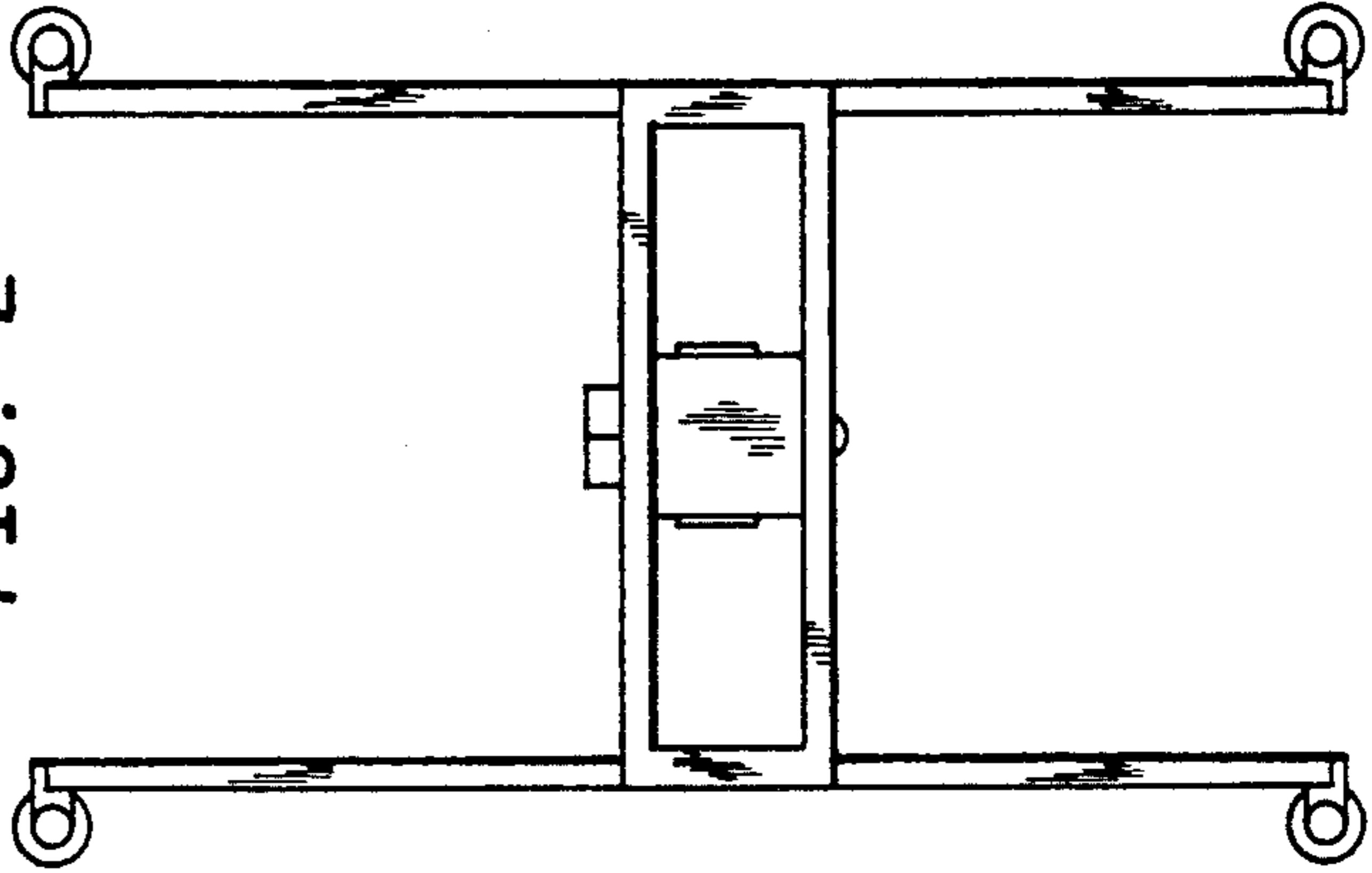


FIG. 7

