



US00D334774S

United States Patent [19] Prey

[11] Patent Number: **Des. 334,774**
[45] Date of Patent: **** Apr. 13, 1993**

[54] LETTER TRAY
[76] Inventor: **Kuno Prey, Via P.P. Rainer 5, 39038
S. Candido (Bolzano), Italy**

D. 246,847 1/1978 Landau D19/87
D. 249,351 9/1978 Mattera D19/92 X
D. 286,837 11/1986 Nathan D6/510
D. 294,957 3/1988 Lothe D19/92
D. 328,102 7/1992 Buzak D19/92
2,242,296 5/1941 Fraser 211/69.9 X

[**] Term: **14 Years**
[21] Appl. No.: **742,891**
[22] Filed: **Aug. 8, 1991**

Primary Examiner—Nelson C. Holtie
Assistant Examiner—Martha Thompson
Attorney, Agent, or Firm—Steinberg & Raskin

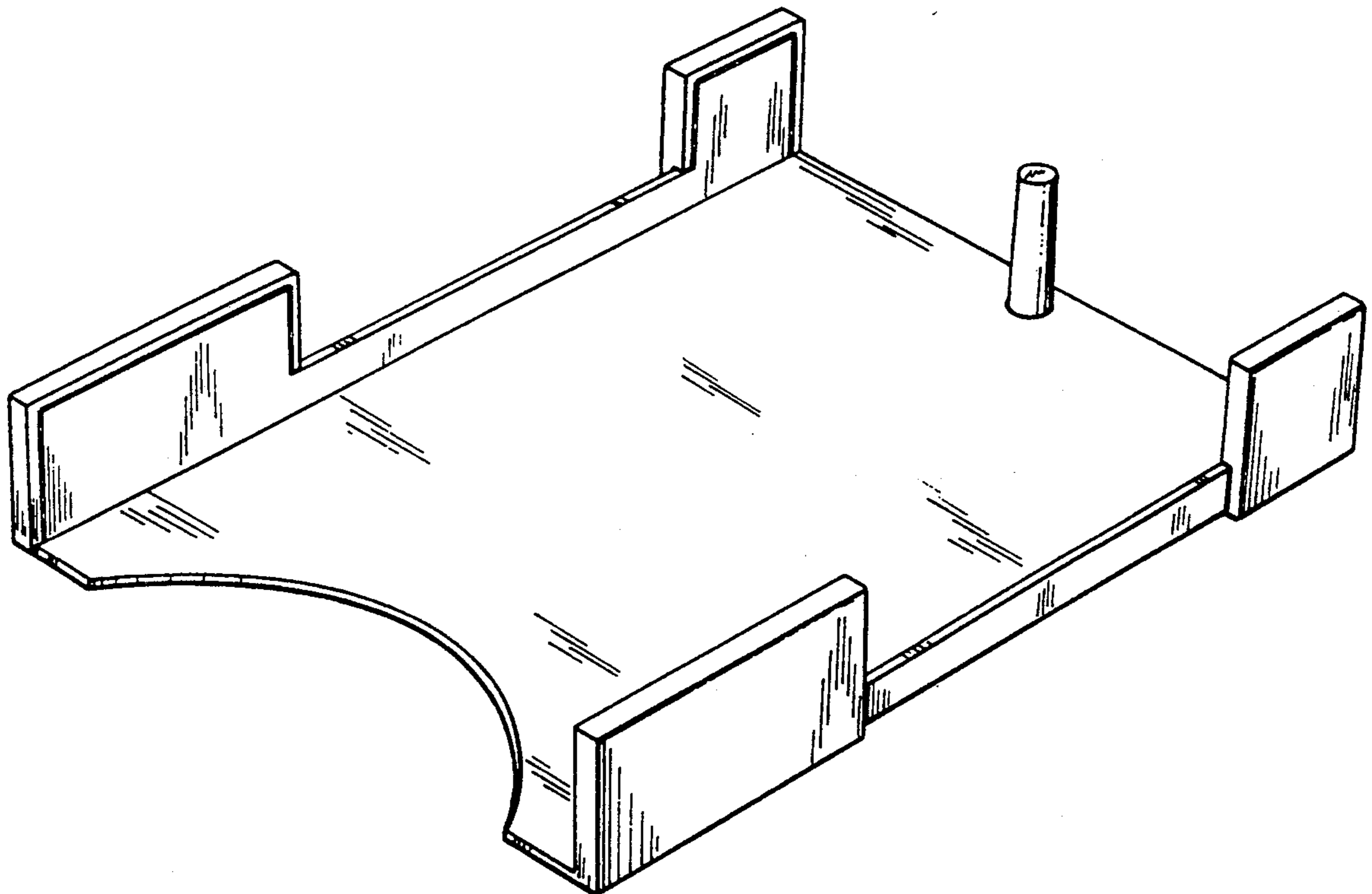
[30] Foreign Application Priority Data
Feb. 15, 1991 [IT] Italy M1910000132
[52] U.S. Cl. **D19/92; D19/75;
D19/86**
[58] Field of Search **D7/550, 552; D19/65,
D19/75, 78, 86, 87, 91, 92, 95, 99, 100; 206/555,
215, 232, 459; 211/10, 11, 86, 13, 50, 126, 69.9;
D6/510**

[57] CLAIM
The ornamental design for a letter tray, as shown and described.

DESCRIPTION

FIG. 1 is a top, right front perspective view of a letter tray showing my new design;
FIG. 2 is a top plan view thereof;
FIG. 3 is a left side elevational view thereof;
FIG. 4 is a front elevational view thereof;
FIG. 5 is a right side elevational view thereof;
FIG. 6 is a rear elevational view thereof; and,
FIG. 7 is a bottom plan view thereof.
FIGS. 2 through 7 have been drawn to a reduced scale with respect to FIG. 1.

[56] References Cited
U.S. PATENT DOCUMENTS
D. 43,497 2/1913 Dear D19/86
D. 46,773 12/1914 LaJeunesse D19/92 X
D. 139,823 12/1944 Jones D19/92



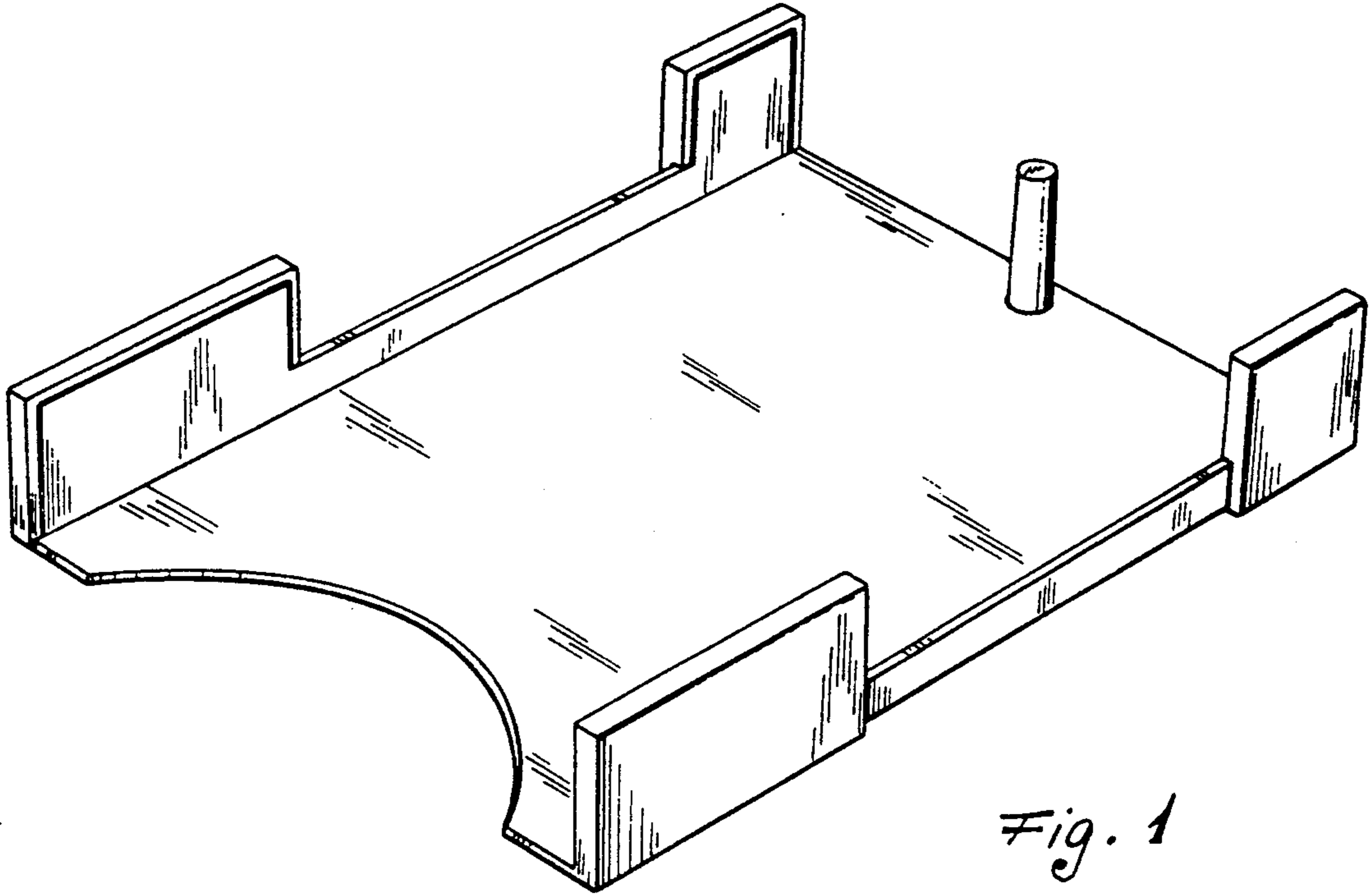


Fig. 1

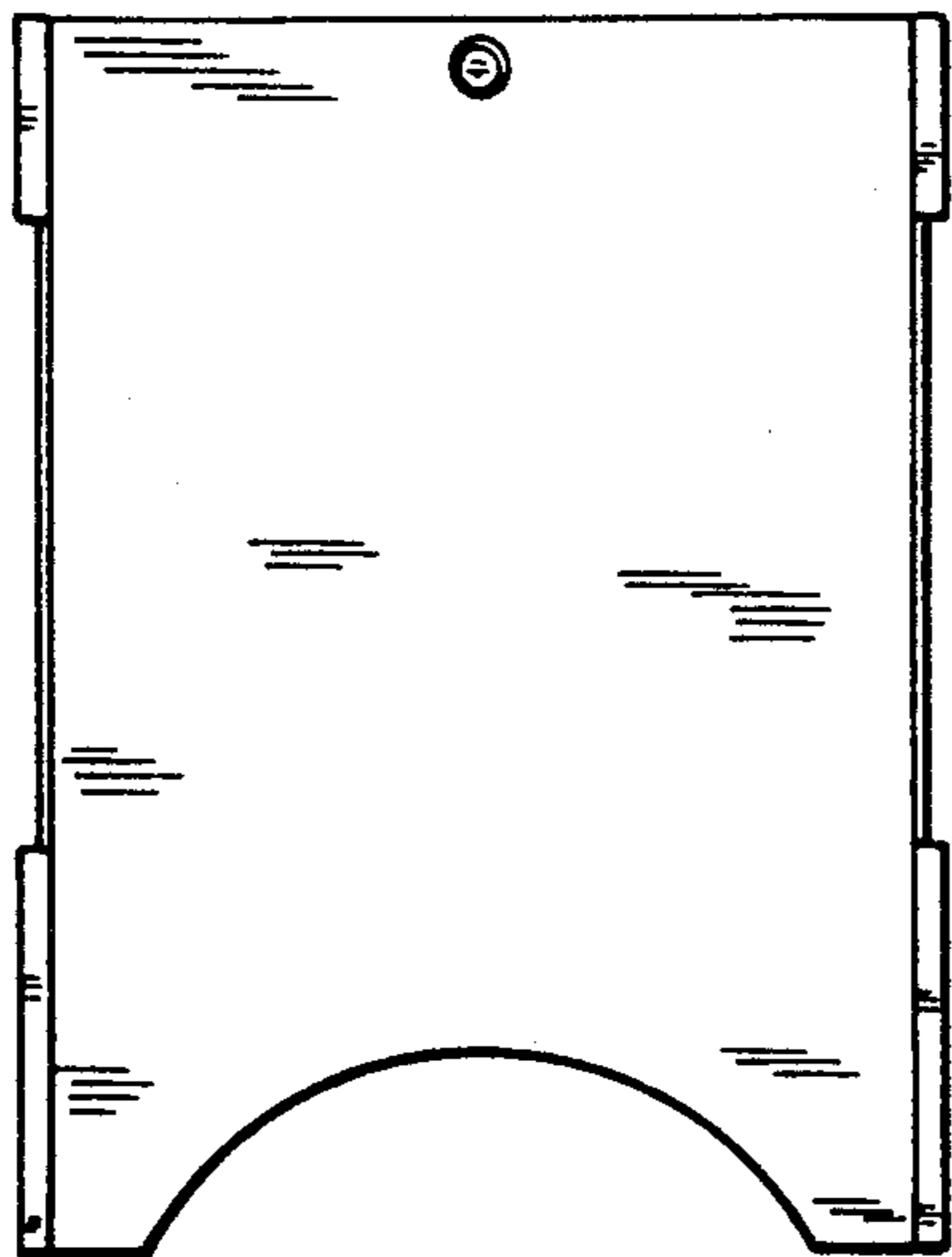


Fig. 2

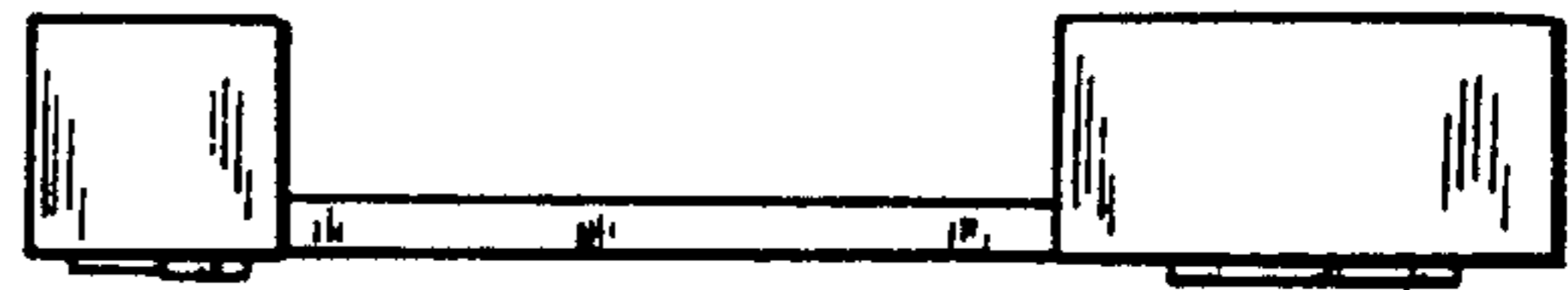


Fig. 3

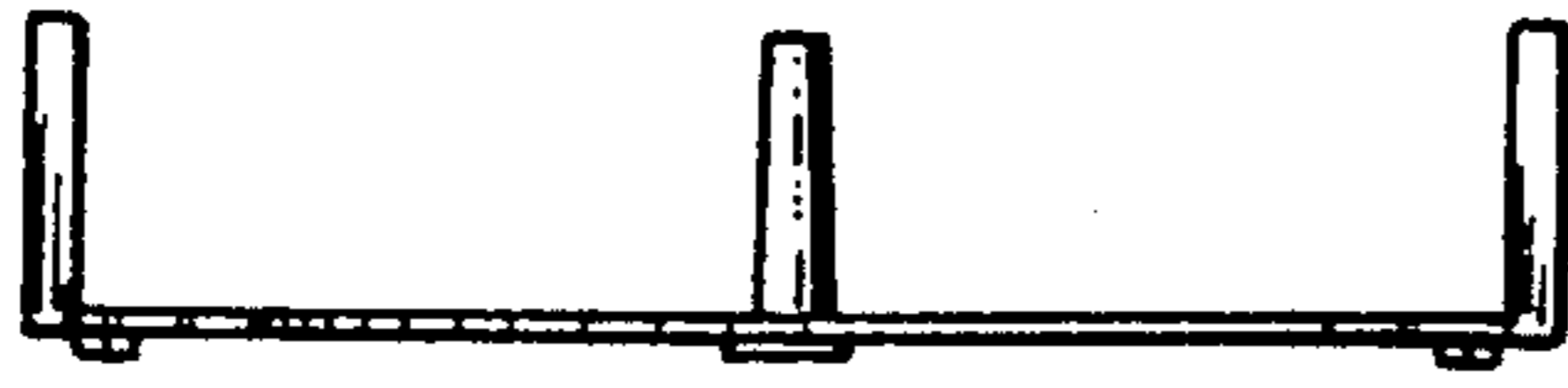


Fig. 4

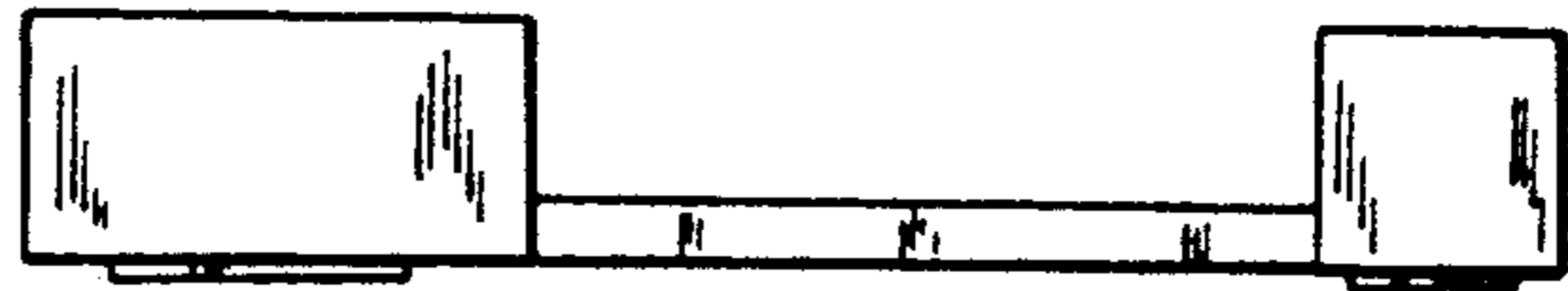


Fig. 5

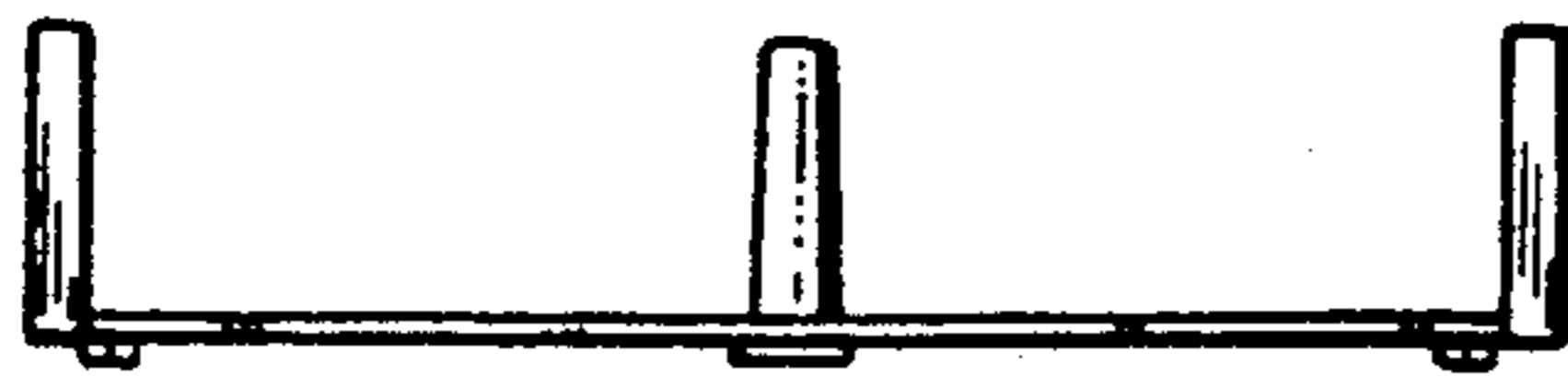


Fig. 6

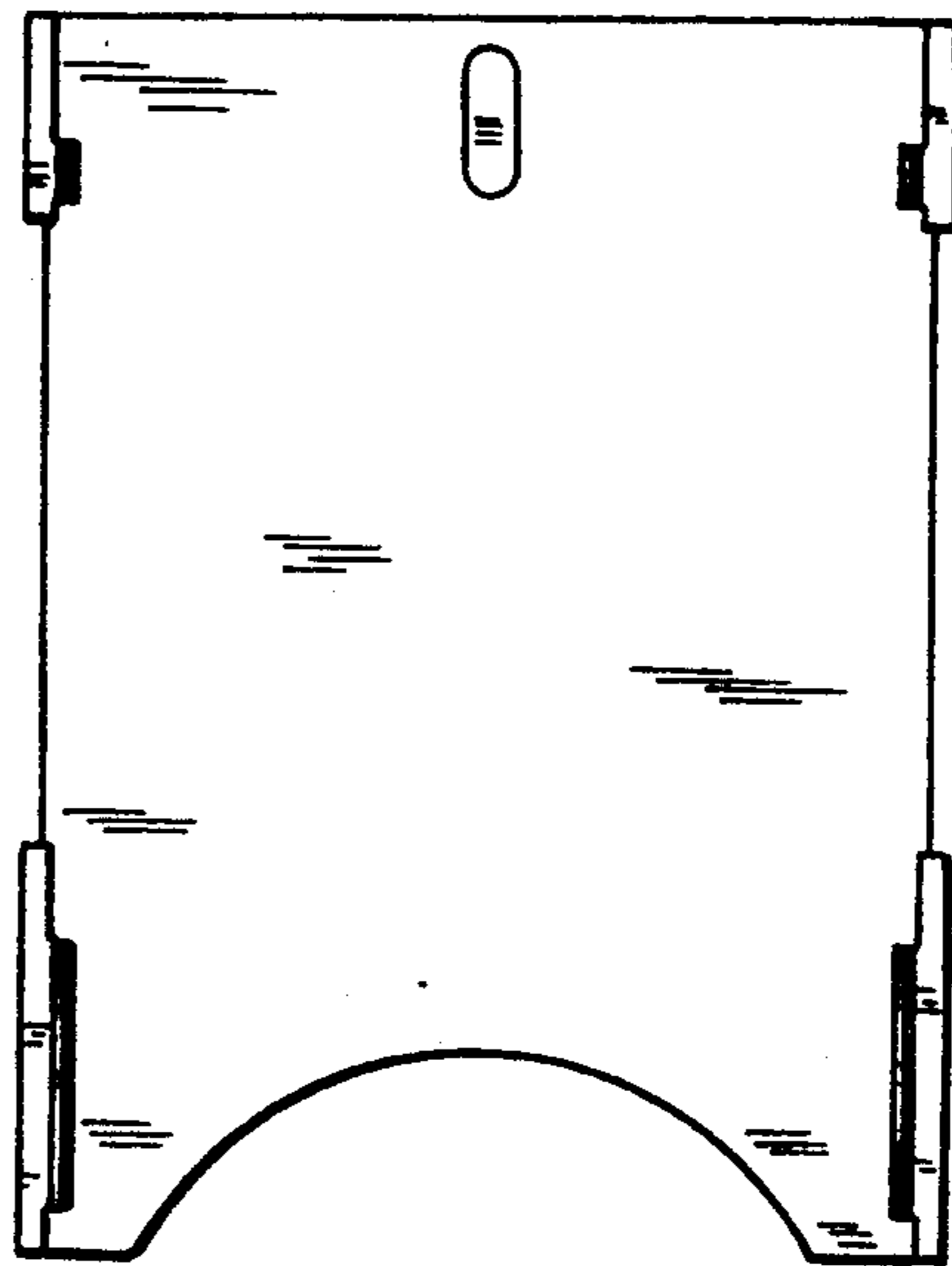


Fig. 7