



US00D334772S

United States Patent [19]

[11] Patent Number: **Des. 334,772**

Wyant

[45] Date of Patent: **** Apr. 13, 1993**

[54] **PORTFOLIO HAVING INTERNAL COMPARTMENTS.**

4,991,767 2/1991 Wyant 281/31
5,029,900 7/1991 Axelrock 281/31

[75] Inventor: **John R. Wyant, Spring Valley, Ohio**

Primary Examiner—Wallace R. Burke
Assistant Examiner—Melody Brown
Attorney, Agent, or Firm—Biebel & French

[73] Assignee: **The Mead Corporation, Dayton, Ohio**

[57] **CLAIM**

[**] Term: **14 Years**

The ornamental design for a portfolio having internal compartments as shown and described.

[21] Appl. No.: **612,892**

DESCRIPTION

[22] Filed: **Nov. 13, 1990**

[52] U.S. Cl. **D19/26**

[58] Field of Search **D19/27; 281/31, 32, 281/29, 34; 229/68 R, 71, 72; 206/232, 312, 215, 444, 387**

FIG. 1 is a left, front perspective view of a portfolio having internal compartments showing my new design; FIG. 2 is a perspective view thereof, with the portfolio in open condition, the broken lines are for illustrative purposes only and form no part of the claimed design; FIG. 3 is a left side elevation view thereof with the portfolio in closed condition; FIG. 4 is a right side elevation view thereof with the portfolio in closed condition; FIG. 5 is a top plan view thereof in closed position; and, FIG. 6 is a bottom plan view thereof in closed position.

[56] **References Cited**

U.S. PATENT DOCUMENTS

D. 312,277 11/1990 Moor D19/27
4,640,413 2/1987 Kaplan et al. 281/31
4,907,904 3/1990 Baldwin D19/27

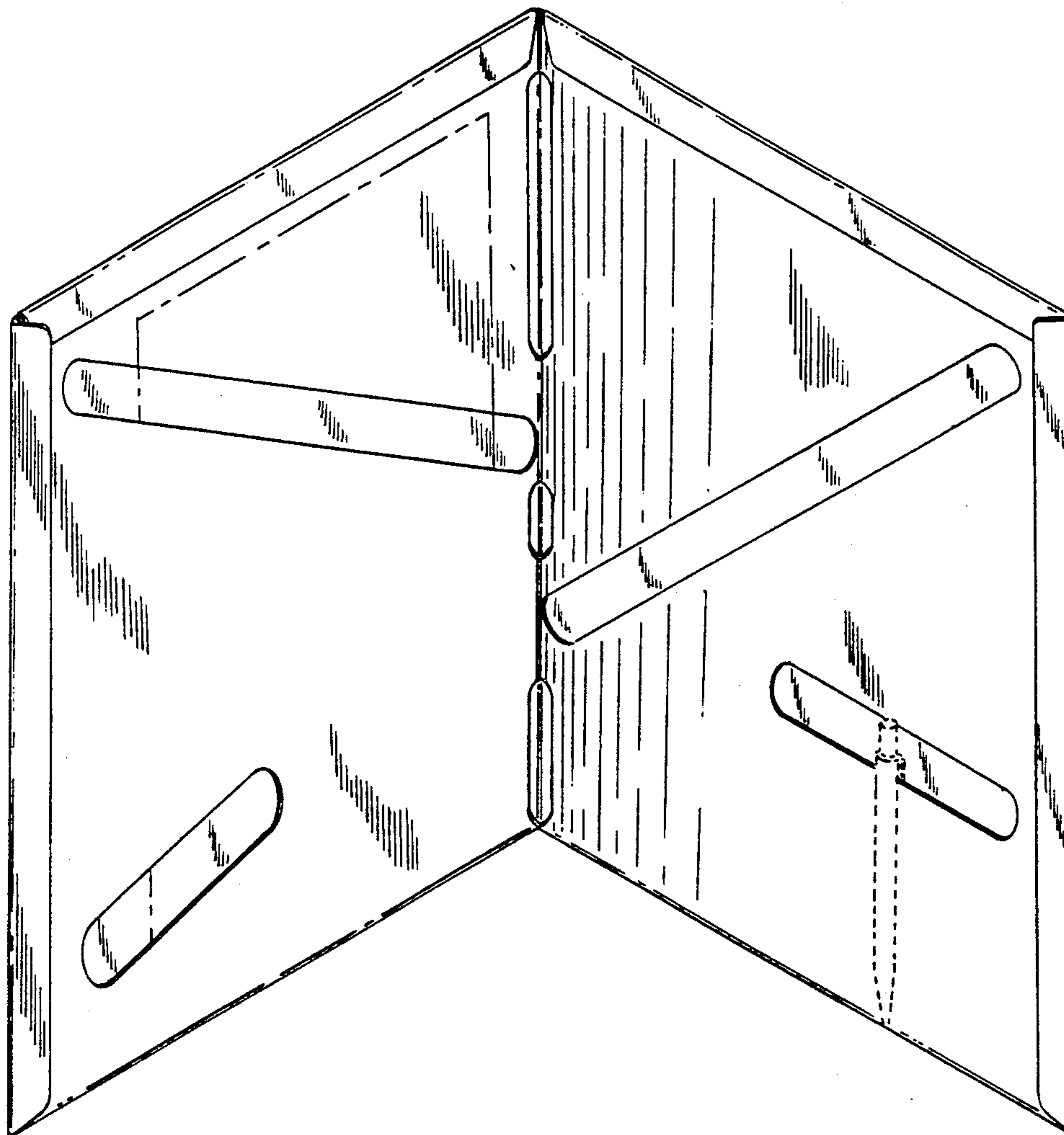
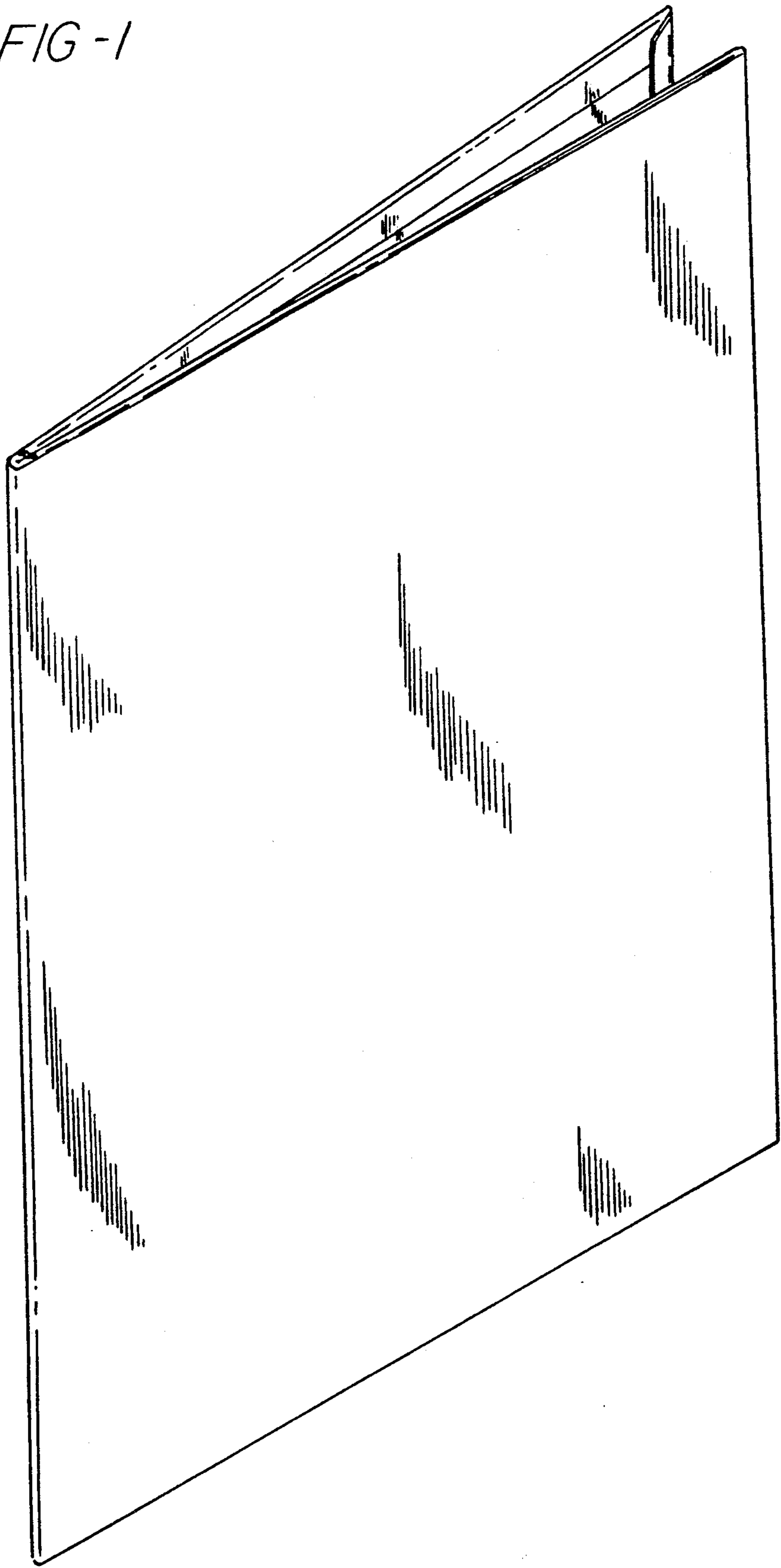


FIG -1



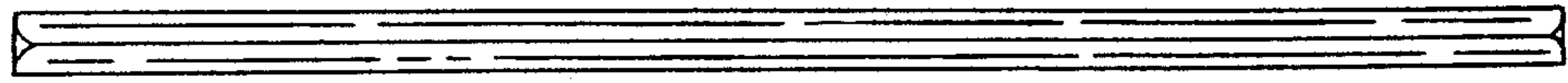


FIG-4

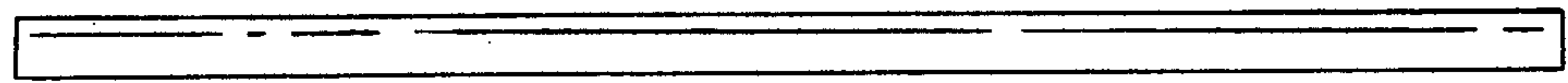


FIG-3

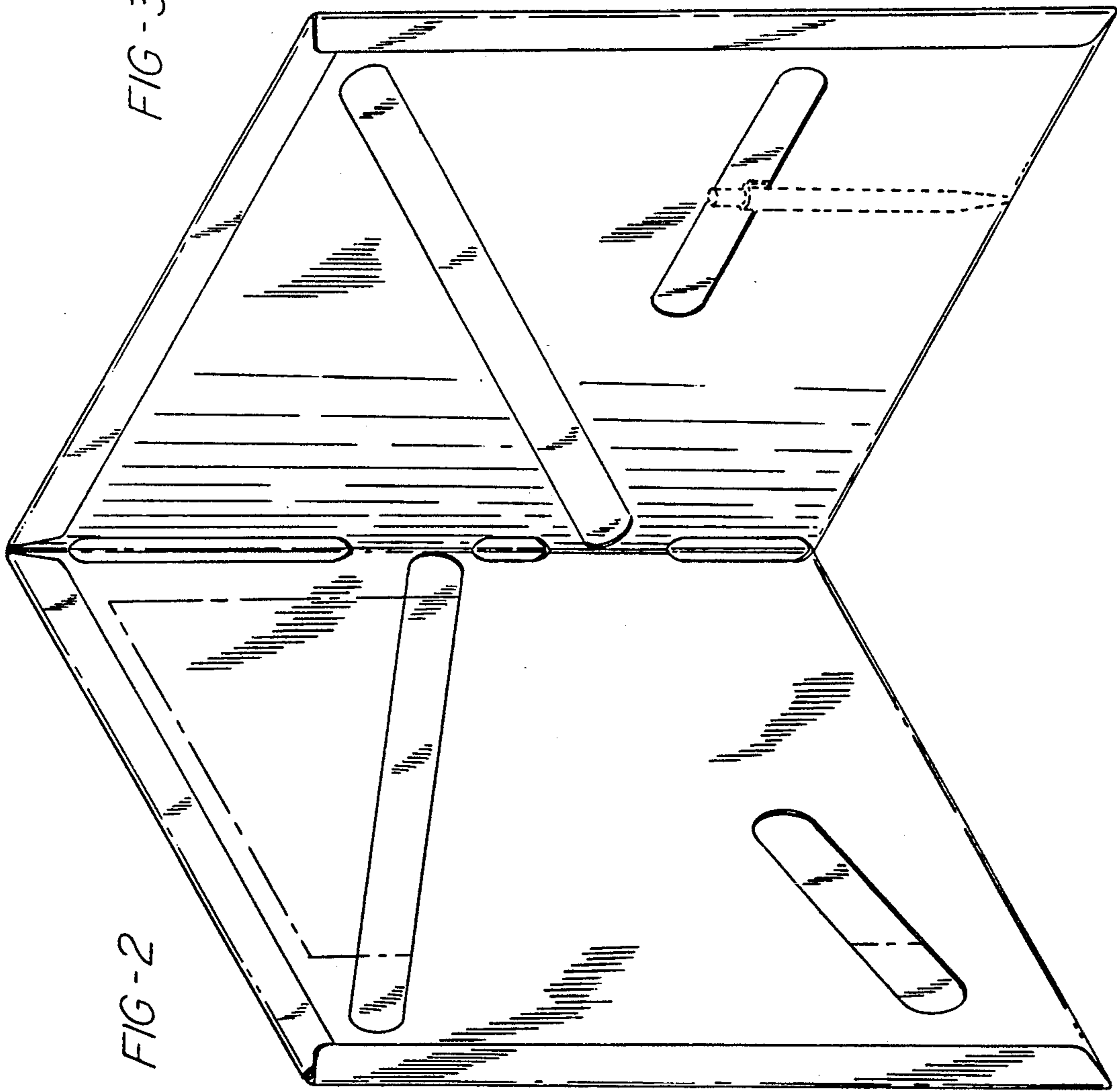


FIG-2

FIG-5



FIG-6

