



US00D334771S

United States Patent [19]

Adachi et al.

[11] Patent Number: **Des. 334,771**

[45] Date of Patent: **** Apr. 13, 1993**

[54] TONER CARTRIDGE

[75] Inventors: **Takefumi Adachi**, Tokyo; **Hiroshi Ishii**, Yokohama; **Katsumi Masuda**, Tokyo, all of Japan

[73] Assignee: **Ricoh Company, Ltd.**, Tokyo, Japan

[**] Term: **14 Years**

[21] Appl. No.: **596,159**

[22] Filed: **Oct. 11, 1990**

[30] **Foreign Application Priority Data**

Apr. 12, 1990 [JP] Japan 2-012580
 [52] U.S. Cl. **D18/43**
 [58] Field of Search D18/43, 56; D16/246,
 D16/250; 206/527; 222/166, 240, 325, 541,
 DIG. 1; 141/1; 118/653, 657; 355/260, 298

[56] **References Cited**

U.S. PATENT DOCUMENTS

D. 289,300 4/1987 Saito D18/43
 D. 298,258 10/1988 Masaki D18/43
 D. 325,220 4/1992 Adachi D18/43

Primary Examiner—Alan P. Douglas
Assistant Examiner—Ann Hunt
Attorney, Agent, or Firm—Oblon, Spivak, McClelland,
 Maier & Neustadt

[57] **CLAIM**

The ornamental design for a toner cartridge, as shown and described.

DESCRIPTION

FIG. 1 is a front, top and right side perspective view of a toner cartridge showing our new design;
 FIG. 2 is a rear, bottom and left side perspective view thereof;
 FIG. 3 is a front, top and right side perspective view of a second embodiment showing our new design; and,
 FIG. 4 is a rear, bottom and left side perspective view thereof.

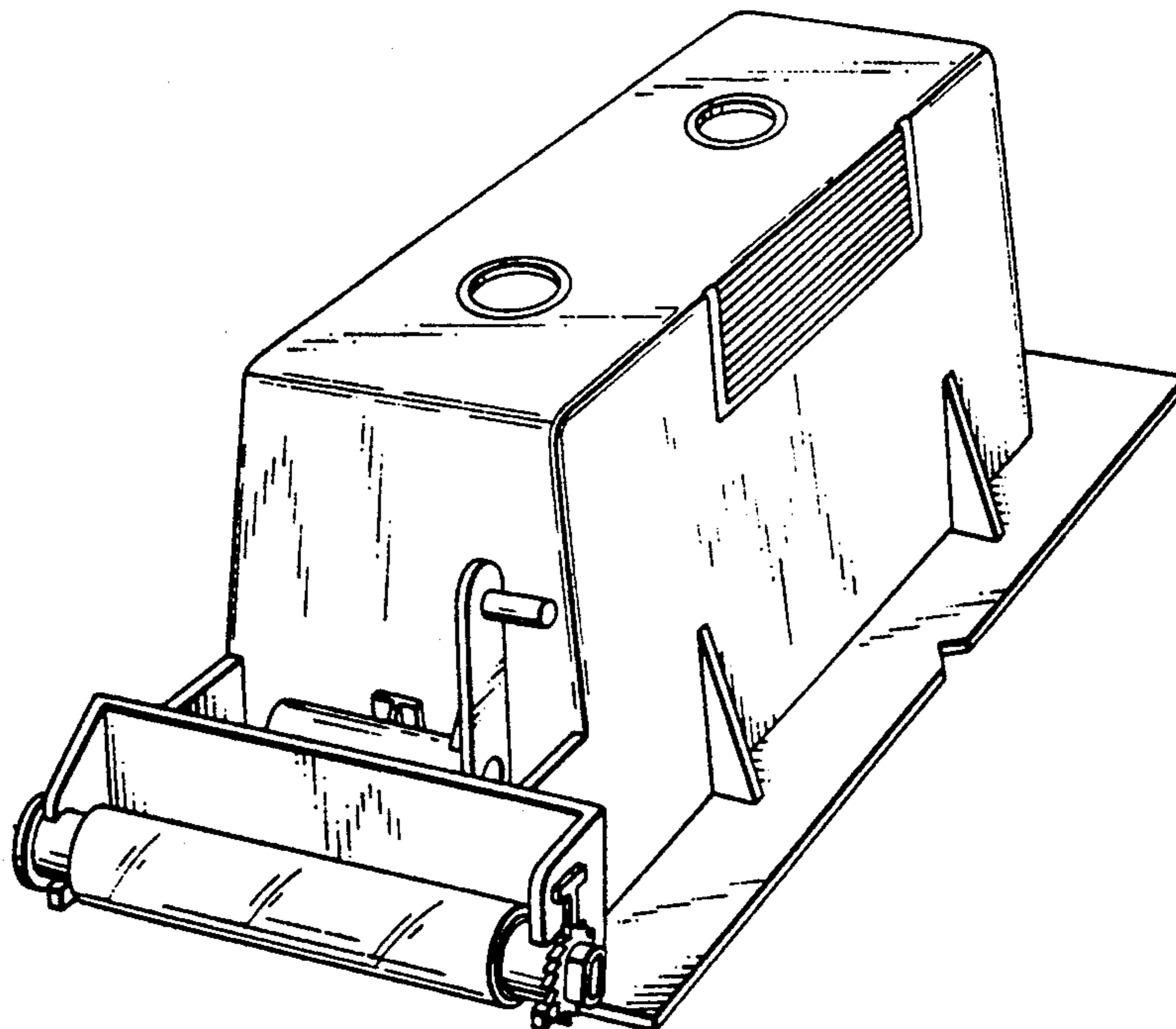


FIG. 1

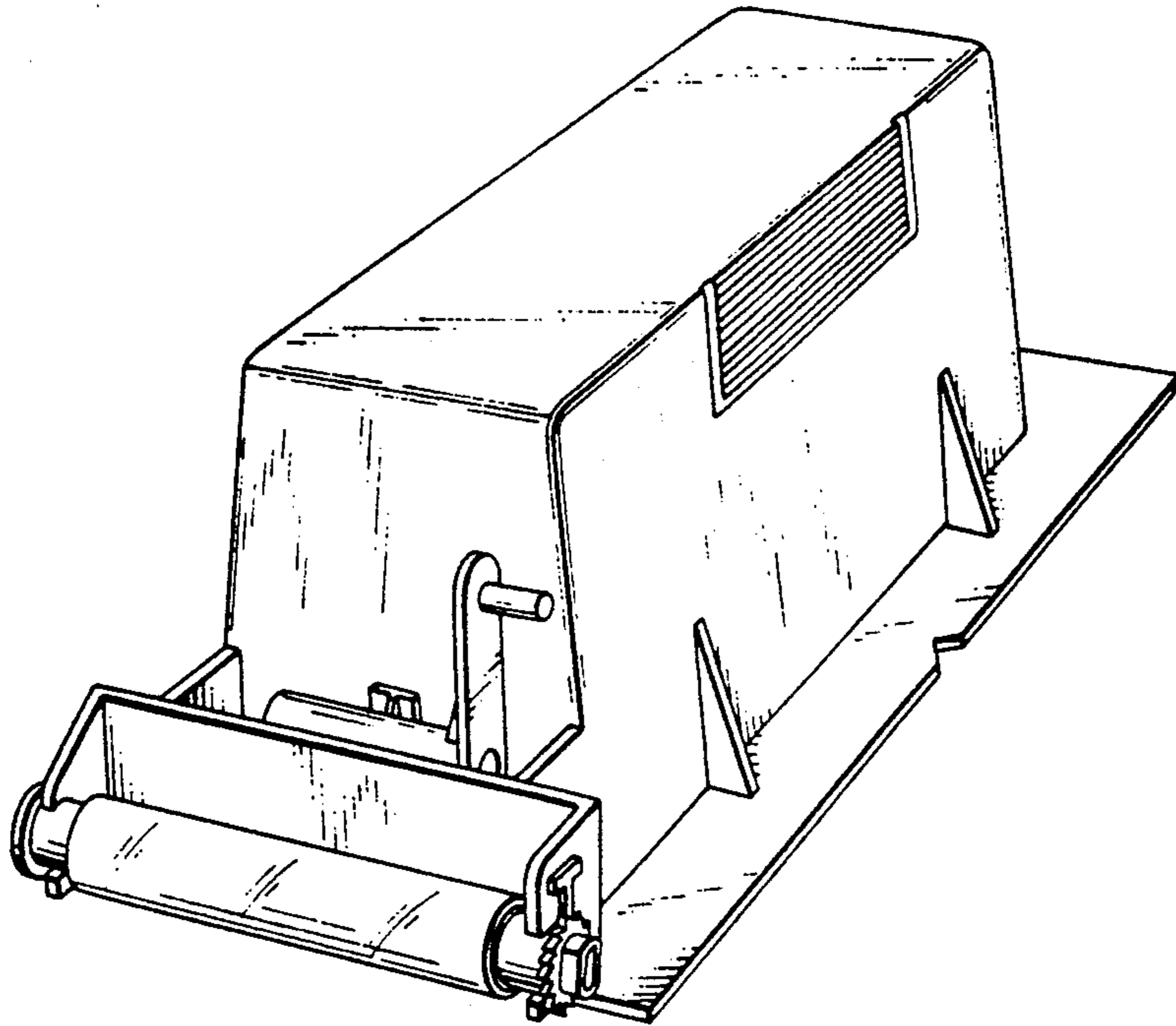


FIG. 2

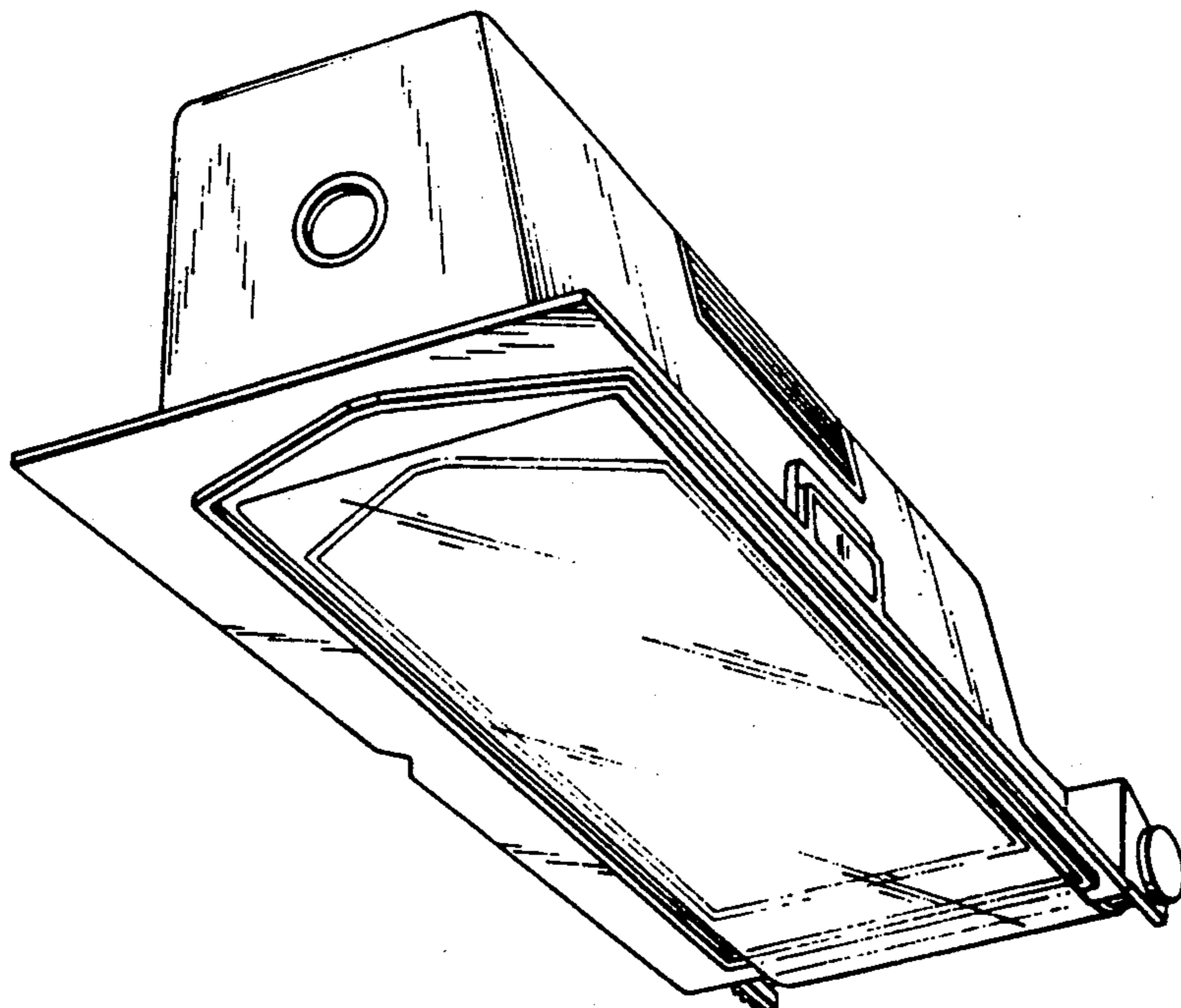


FIG. 3

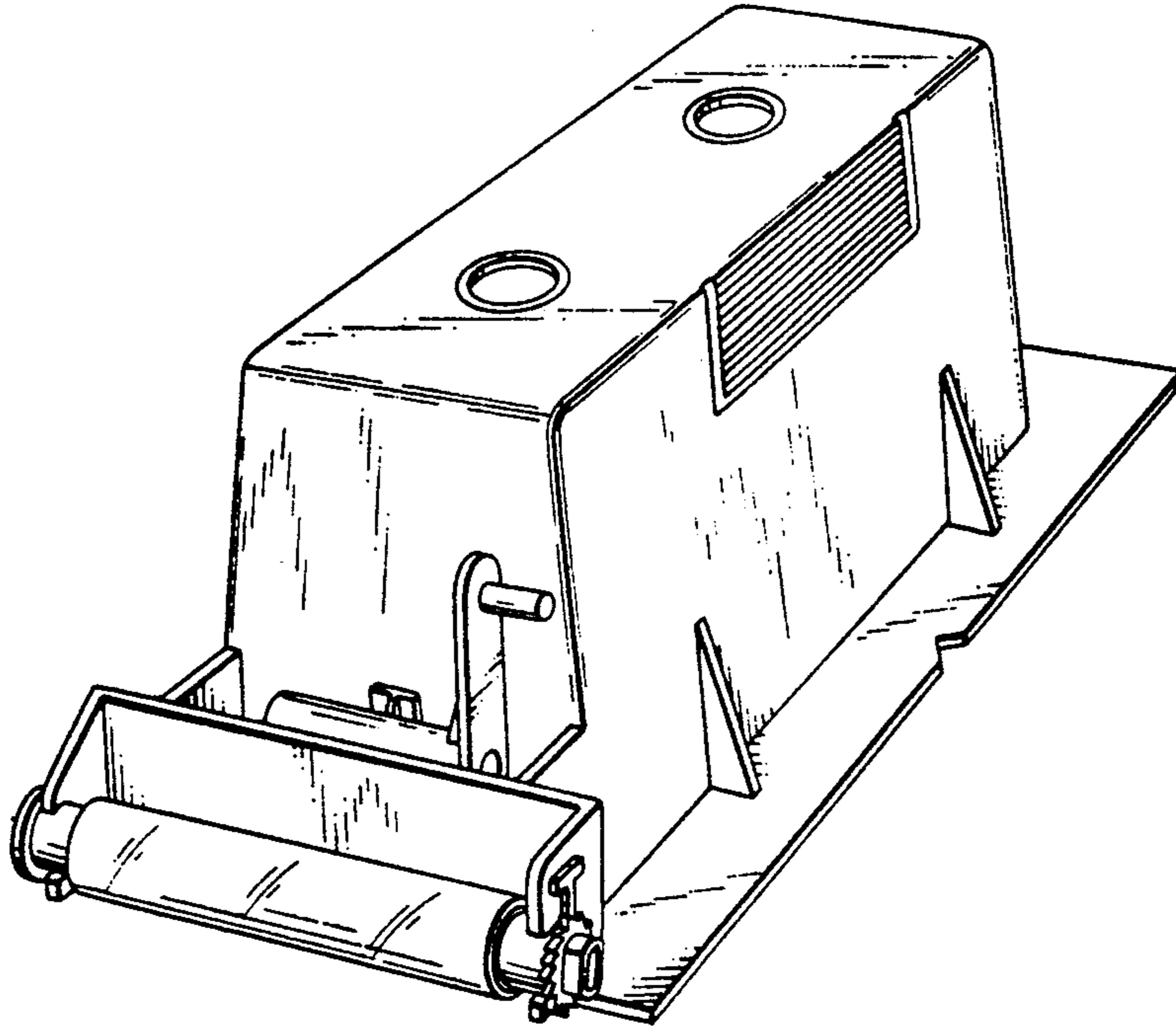


FIG. 4

