



US00D334767S

United States Patent [19]

Scholpp

[11] Patent Number: Des. 334,767

[45] Date of Patent: ** Apr. 13, 1993

[54] HAND STAMP

[75] Inventor: Werner Scholpp, Vaihingen, Fed. Rep. of Germany

[73] Assignee: Stempel-Schilder-Druck Maurer, Stuttgart, Fed. Rep. of Germany

[**] Term: 14 Years

[21] Appl. No.: 575,887

[22] Filed: Aug. 31, 1990

[30] Foreign Application Priority Data

Mar. 2, 1990 [DE] Fed. Rep. of Germany M9001663.7

[52] U.S. Cl. D18/15

[58] Field of Search D18/14-19; D19/75; 40/328; 101/405, 327, 368, 379, 333; 401/195, 196, 199, 207, 23, 25, 201, 262, 140, 202; D4/114, 137, 127; 118/264, 270; D8/310; D9/315, 331, 338, 441, 451, 337

[56] References Cited

U.S. PATENT DOCUMENTS

D. 26,484	1/1897	Hudson	D18/15
D. 29,469	10/1898	Rothschild	D18/15
D. 217,308	4/1970	O'Donnell	D18/15
D. 219,842	2/1971	Miller	D18/15
D. 247,261	2/1978	Hörmann	D18/15
D. 266,257	9/1982	Ahrens	D18/15
D. 324,062	2/1992	Bengtsson	D18/14
2,430,681	11/1947	Johnson	D21/51
2,932,518	4/1960	Burros	D21/51

2,966,116	12/1960	Harris et al.	D18/15
3,103,879	9/1963	Carlsen	D18/14
3,973,495	8/1976	Rowe	118/264
4,395,948	8/1983	Monich	40/328

FOREIGN PATENT DOCUMENTS

836356 4/1952 Fed. Rep. of Germany 101/405

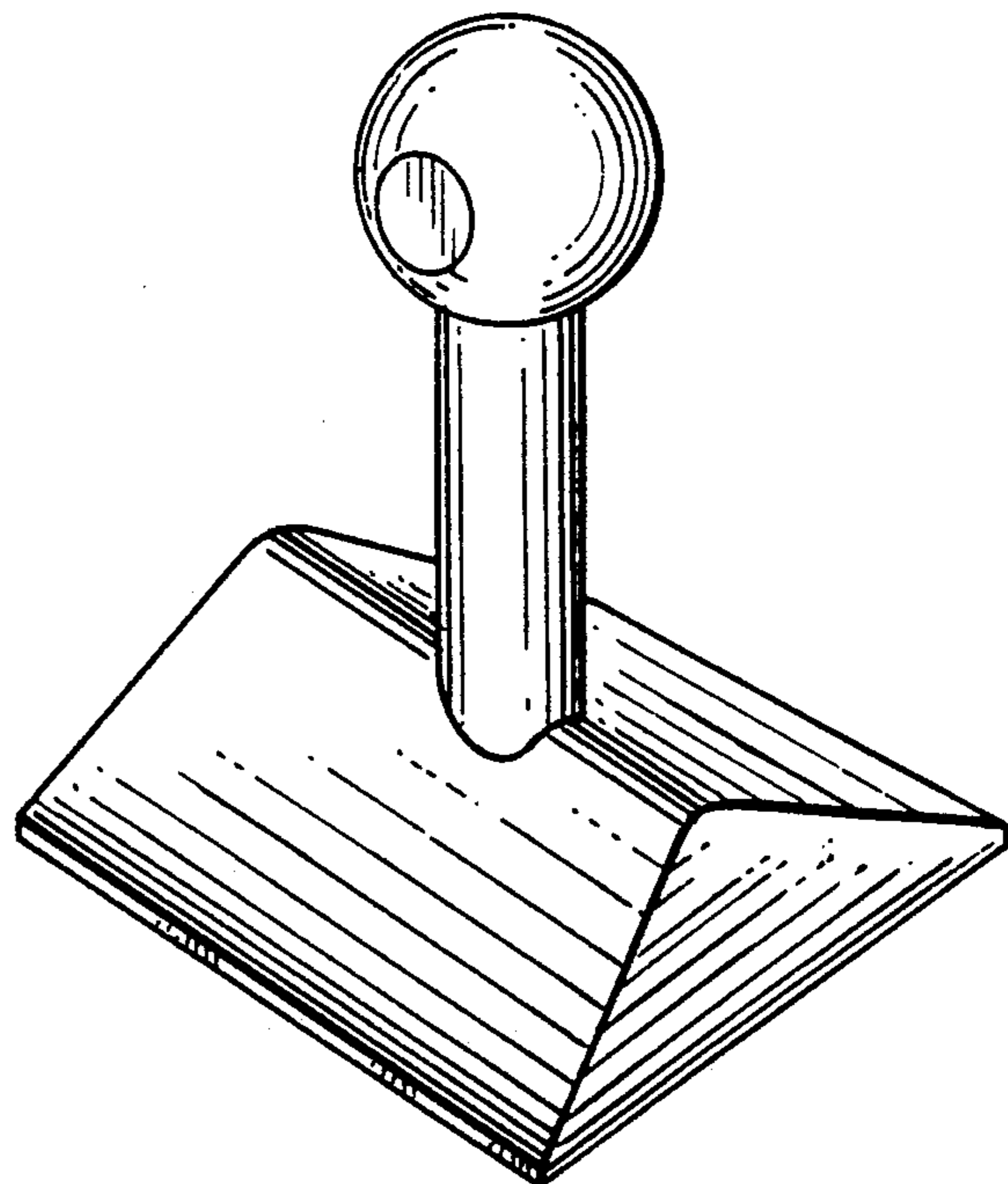
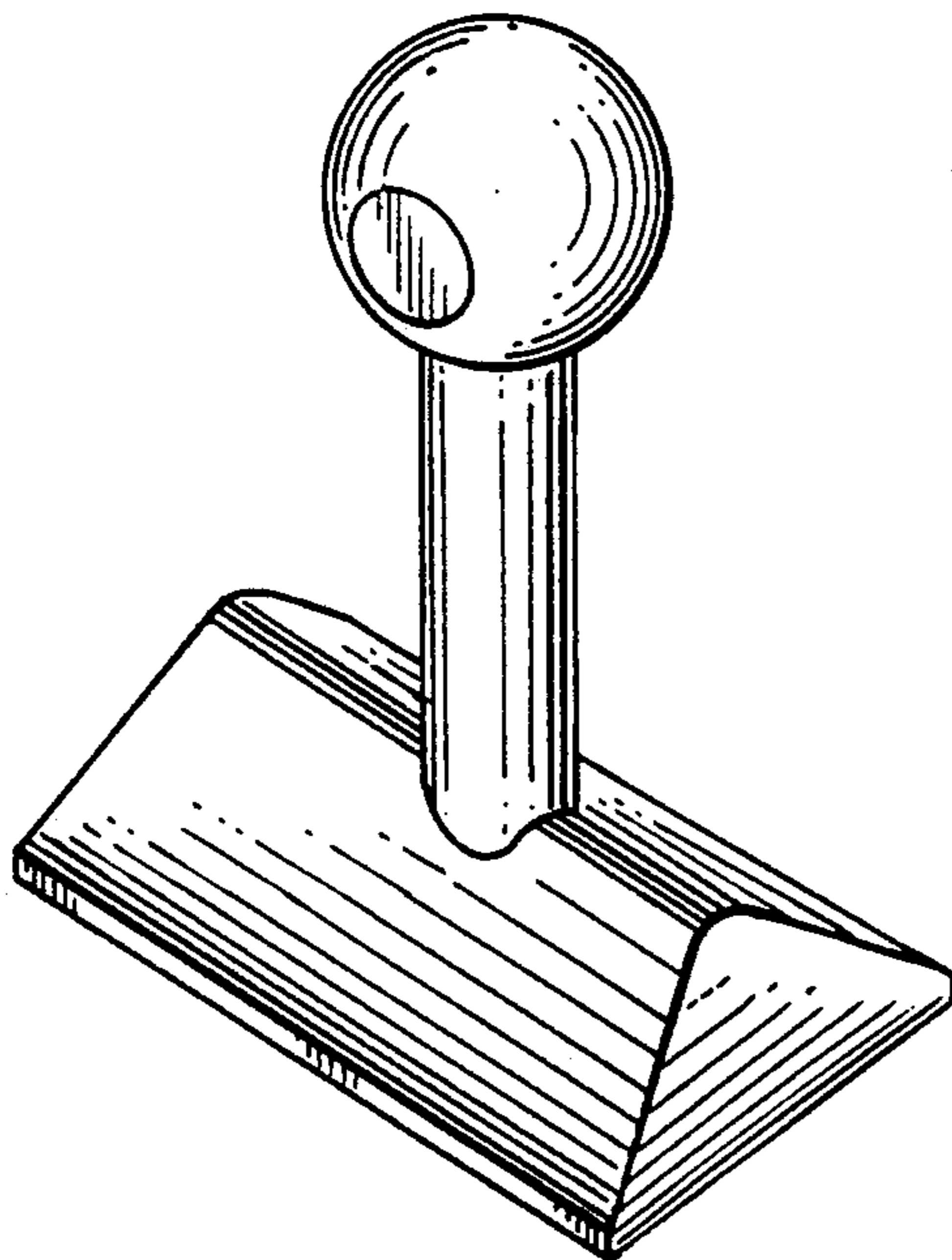
Primary Examiner—Louis S. Zarfaz
Assistant Examiner—CathyAnne MacCormac
Attorney, Agent, or Firm—Anderson Kill Olick & Oshinsky

[57] CLAIM

The ornamental design for a hand stamp, as shown and described.

DESCRIPTION

FIG. 1 is a front perspective view of a hand stamp showing my new design;
FIG. 2 is a front elevational view thereof the rear is a mirror image of the view shown;
FIG. 3 is a side elevational view thereof the opposite side is a mirror image of the view shown;
FIG. 4 is a perspective bottom view thereof;
FIG. 5 is a bottom view thereof;
FIG. 6 is a perspective front view of a second embodiment of FIG. 1;
FIG. 7 is a front elevational view thereof the rear is a mirror image of the view shown;
FIG. 8 is a side elevational view thereof the opposite side is a mirror image of the view shown;
FIG. 9 is a perspective bottom view thereof; and,
FIG. 10 is a bottom view thereof.



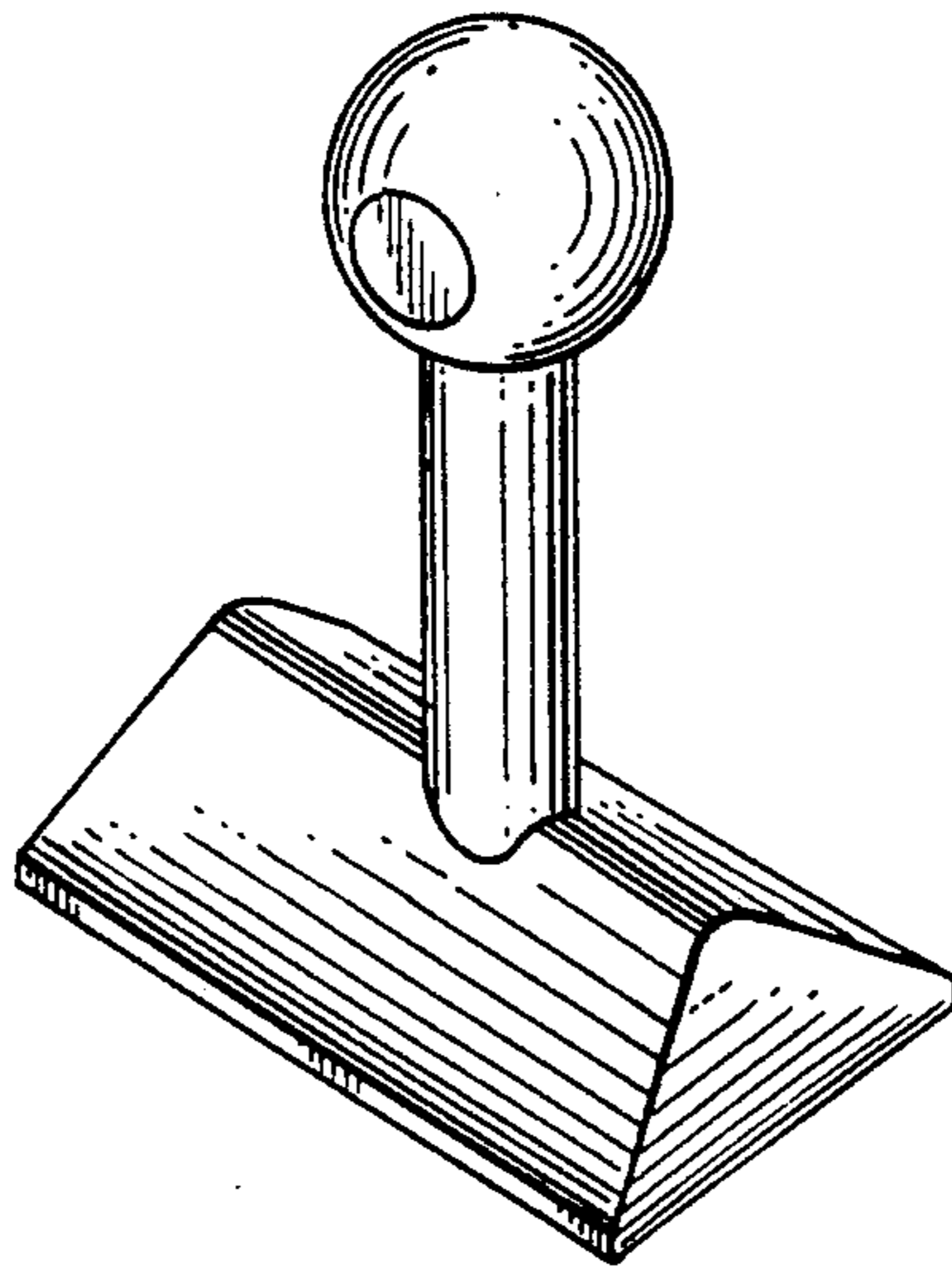


FIG. 1

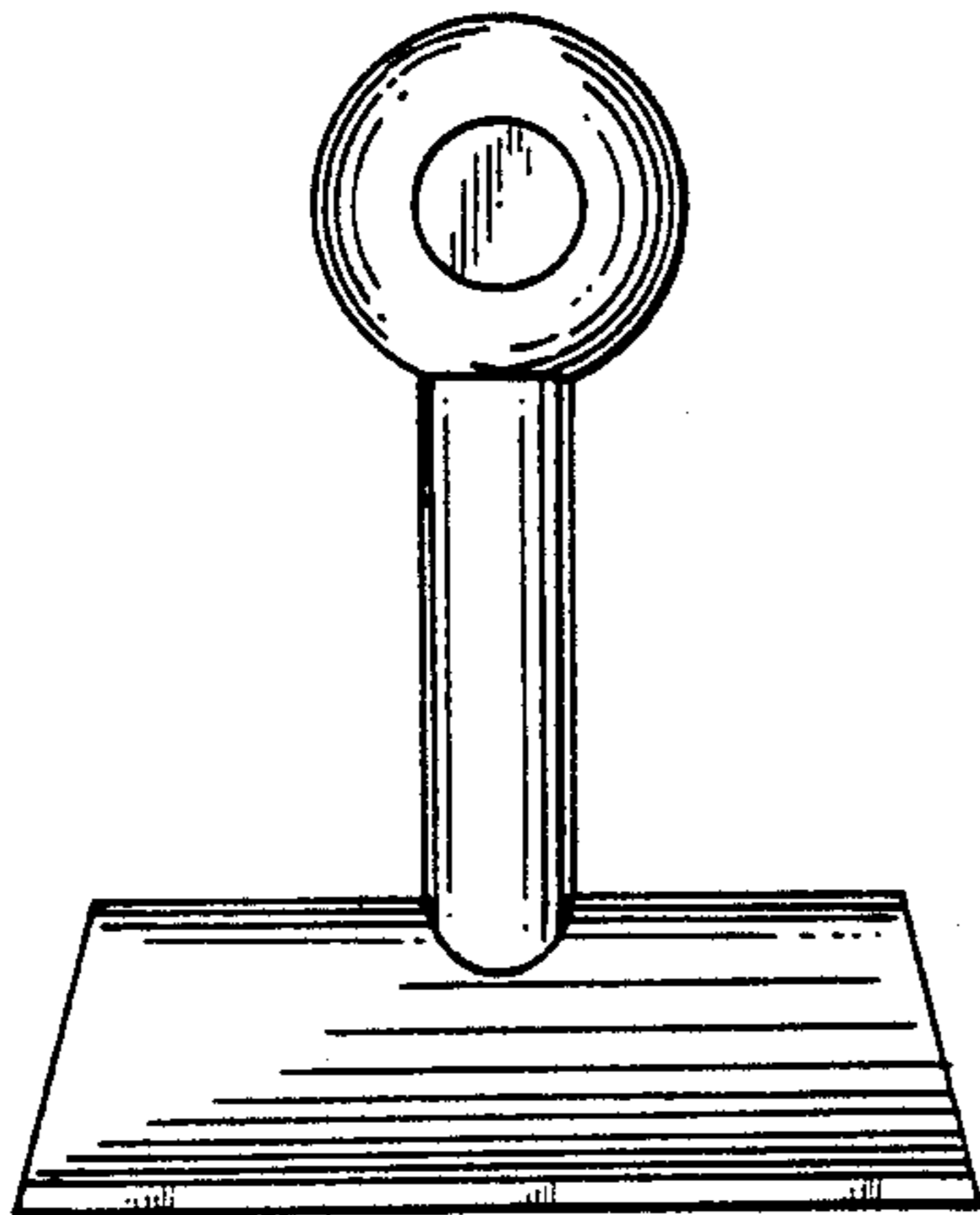


FIG. 2

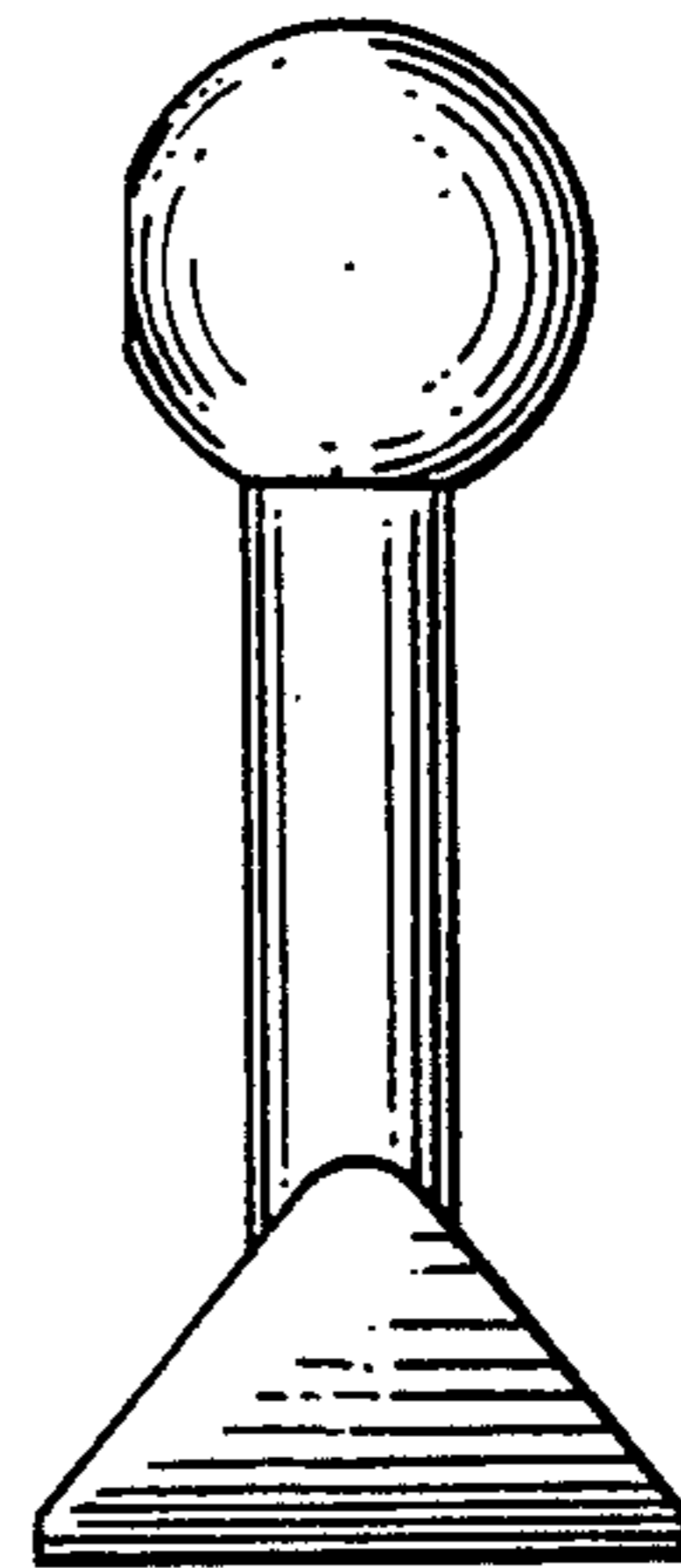


FIG. 3

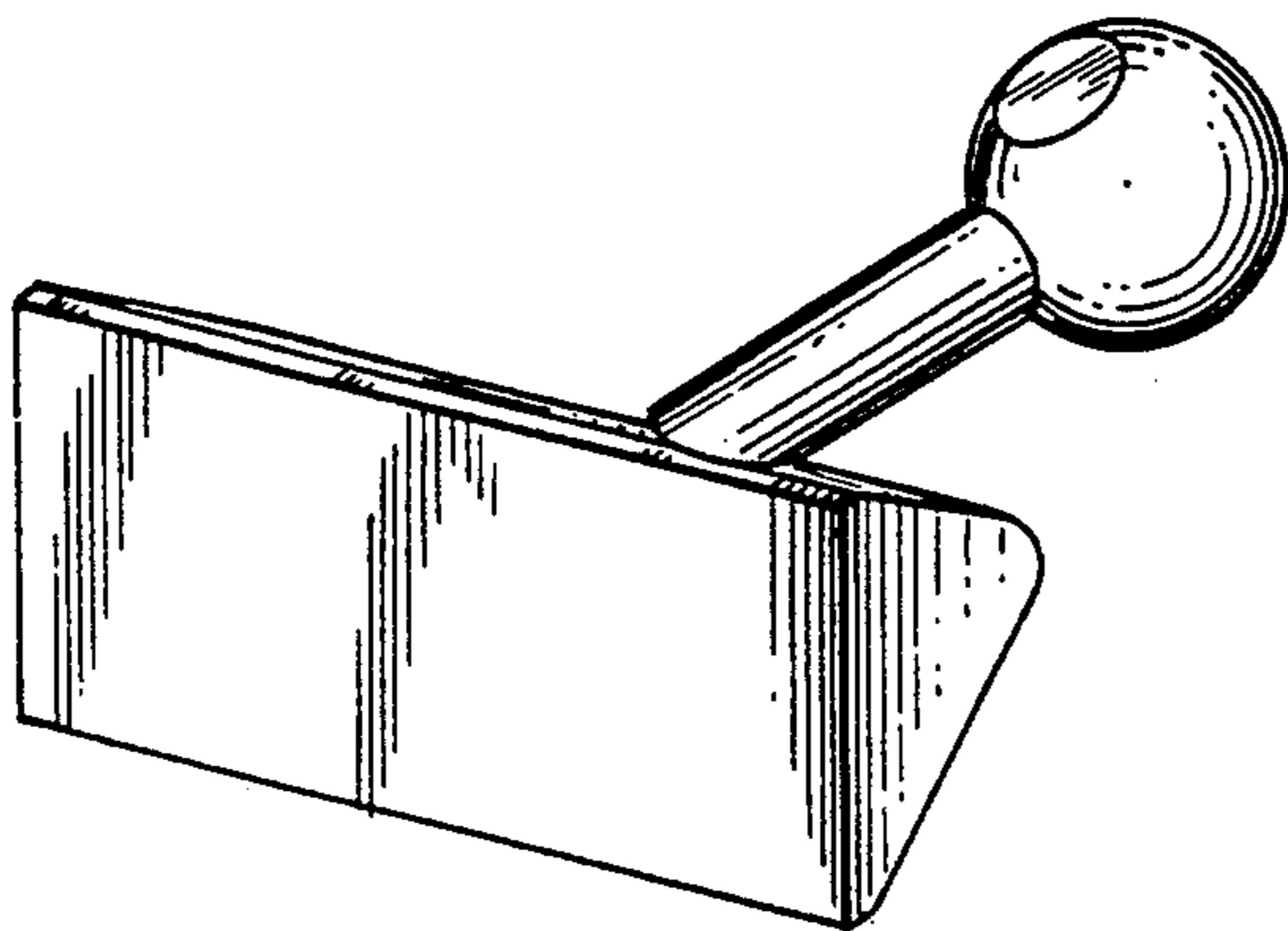


FIG. 4

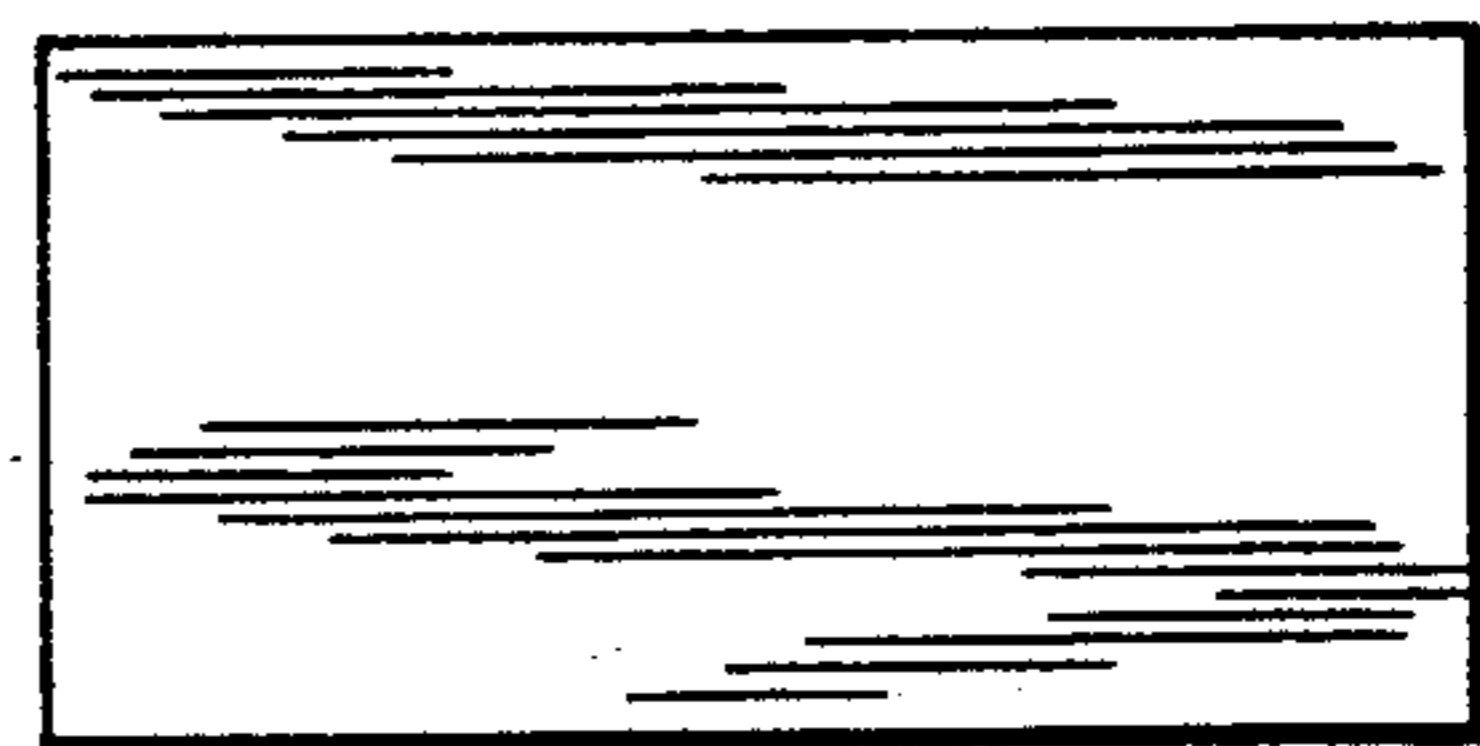


FIG. 5

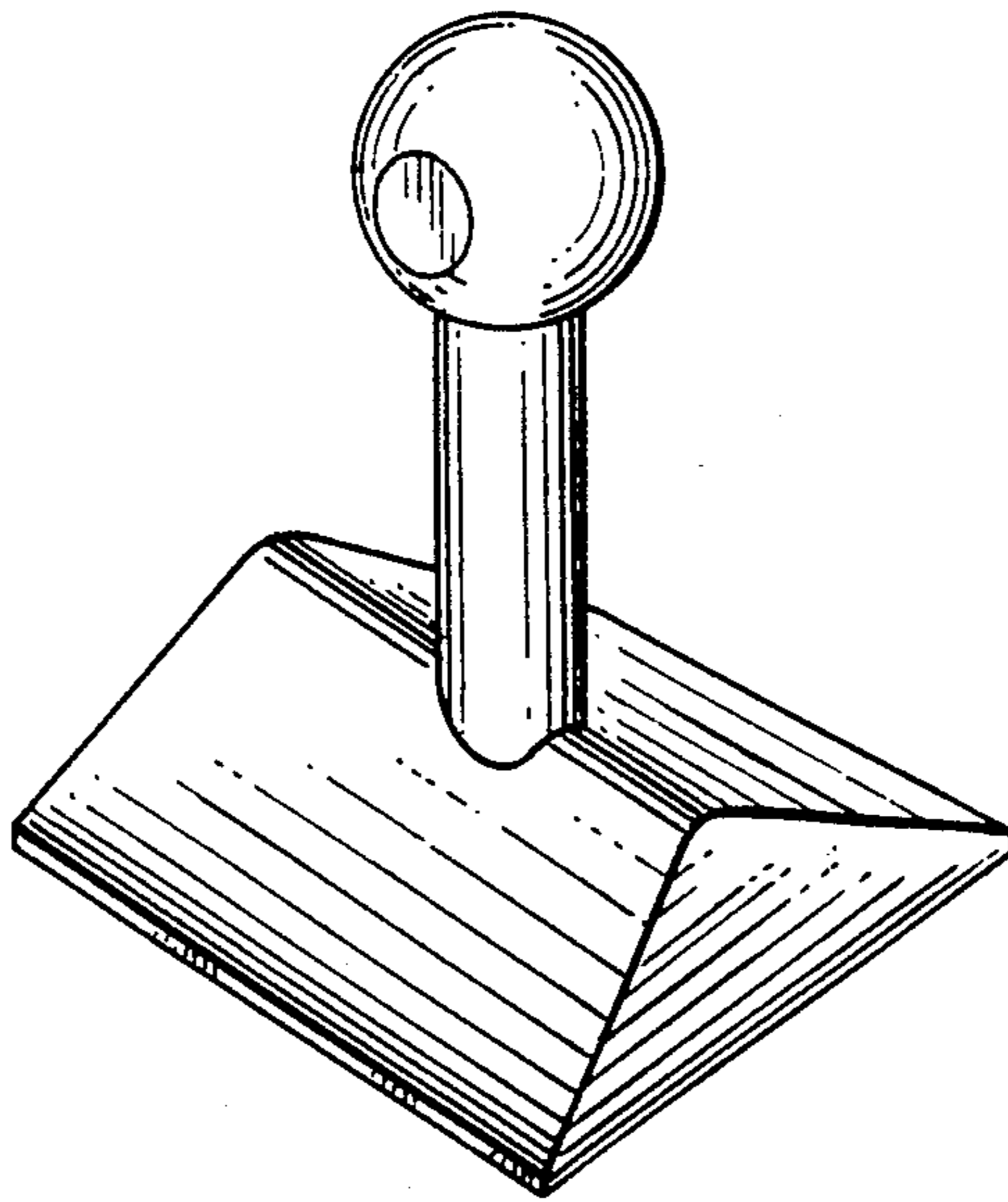


FIG. 6

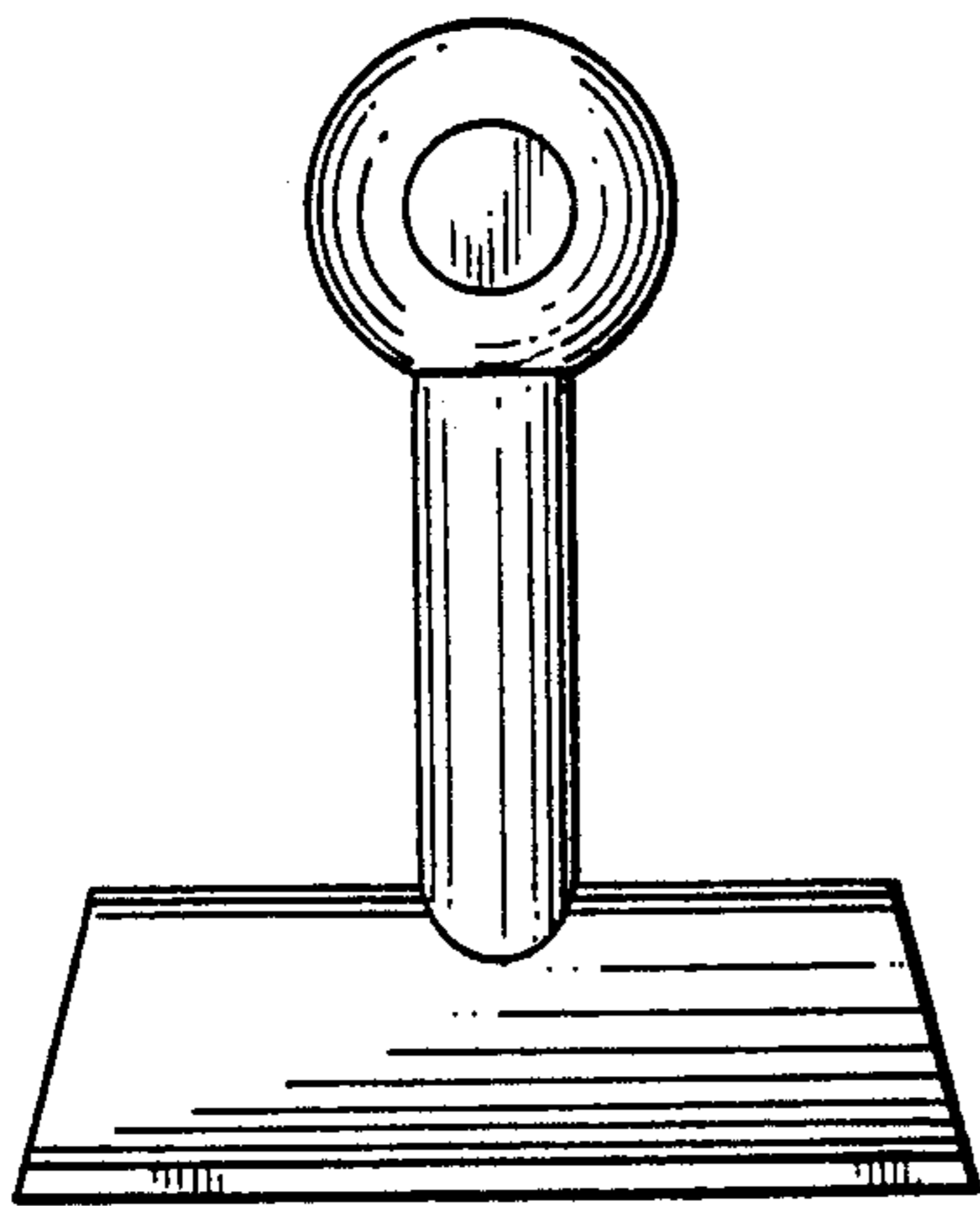


FIG. 7

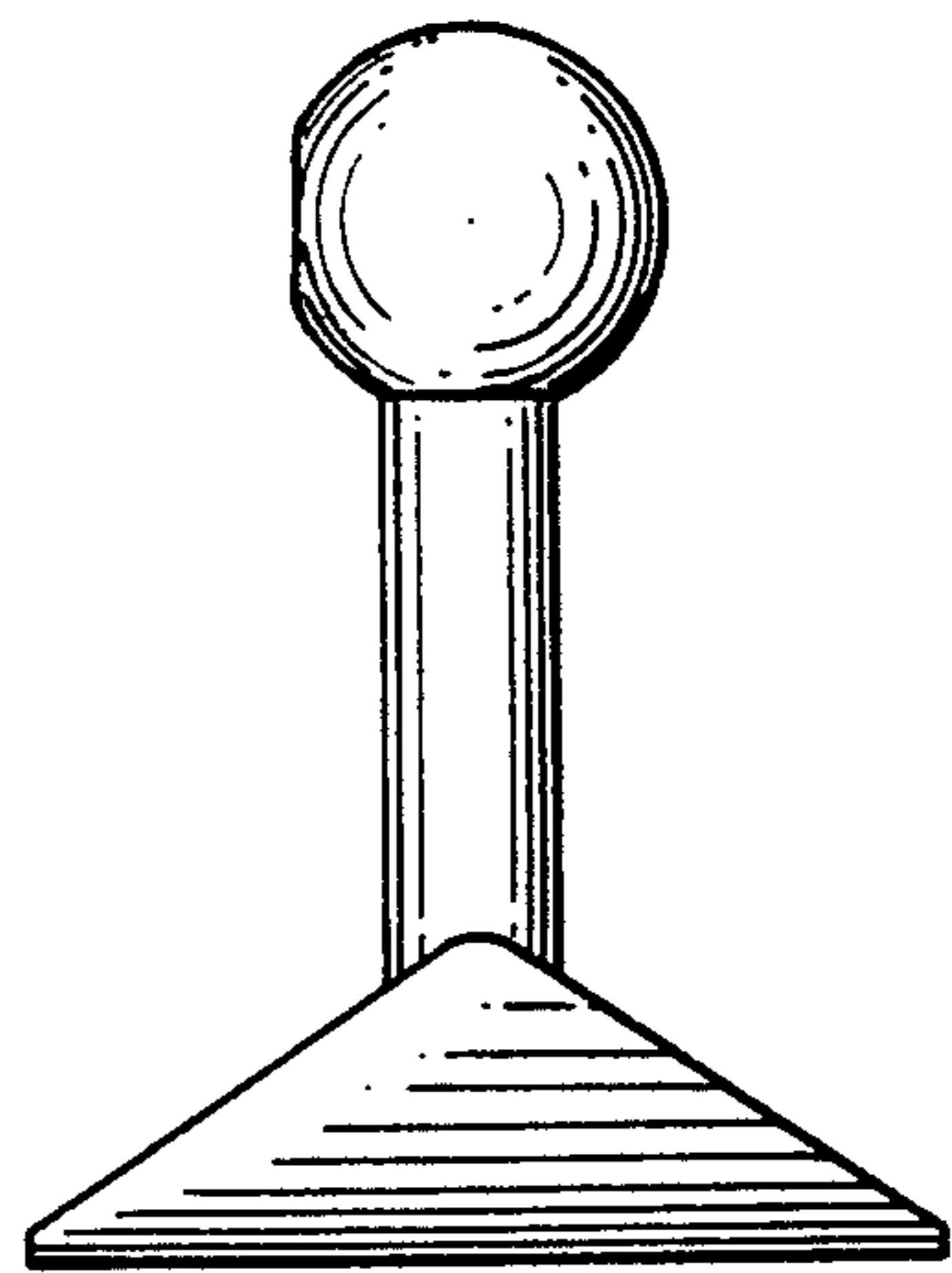


FIG. 8

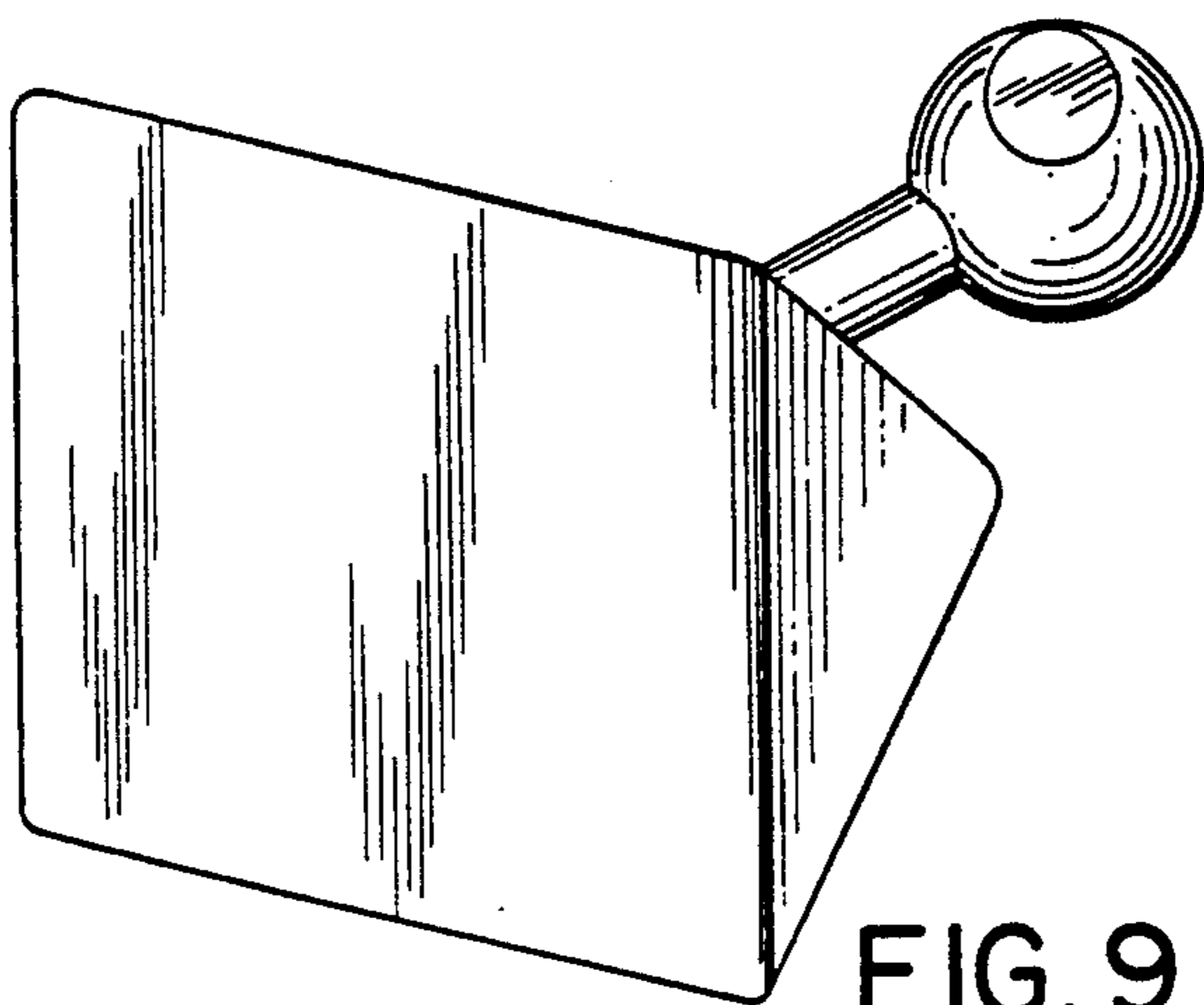


FIG. 9

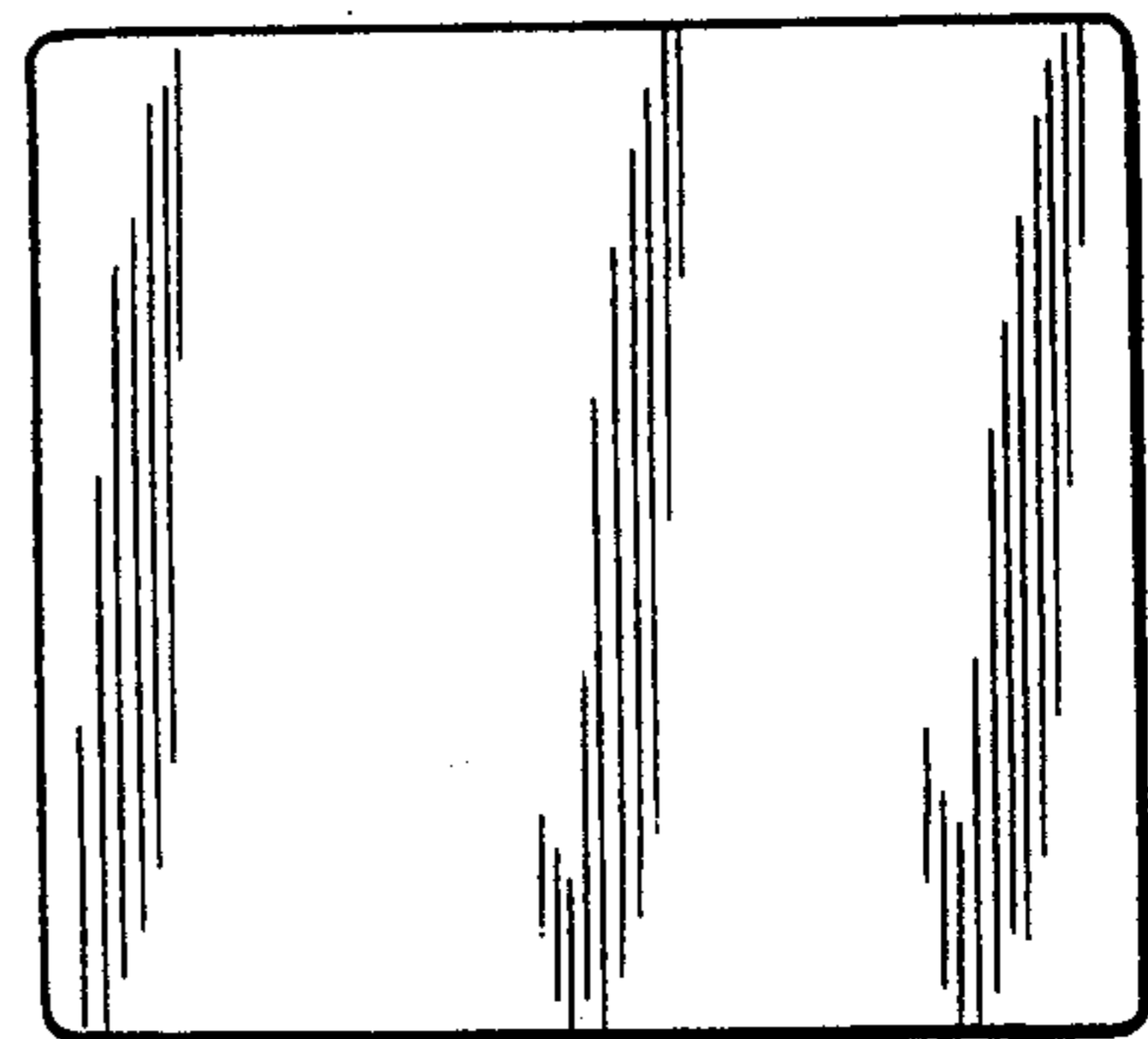


FIG. 10