



US00D334759S

United States Patent [19]

Meyer et al.

[11] Patent Number: Des. 334,759

[45] Date of Patent: ** Apr. 13, 1993

[54] ILLUMINATED MAGNIFIER HEAD

4,958,913 9/1990 Schaffer D26/51 X

[75] Inventors: Carl X. Meyer, Grantwood Village; Louis O. Vitt, St. Louis; David P. Burchell, Valley Park; James A. Schmid, St. Louis, all of Mo.

[73] Assignee: Dazor Manufacturing Corp., St. Louis, Mo.

[**] Term: 14 Years

[21] Appl. No.: 596,827

[22] Filed: Oct. 12, 1990

[52] U.S. Cl. D16/135; D26/51; D26/65

[58] Field of Search D16/135; D26/51, 61, D26/62, 65; 359/798, 802, 805, 806, 800, 804, 808, 809, 811, 817, 818; 362/269, 427, 402

[56] References Cited

U.S. PATENT DOCUMENTS

- D. 275,037 8/1984 Saferstein et al. D26/51
- D. 276,940 12/1984 Andersson D26/51
- D. 277,320 1/1985 Selden D16/135 X
- D. 284,087 6/1986 Haidinger D16/135
- D. 295,287 4/1988 Krogsrud et al. D16/135
- D. 309,661 7/1990 Shwisha D16/135 X
- D. 319,889 9/1991 Lu D26/51

OTHER PUBLICATIONS

B. A. Pargh, Summer/Spring 1985, p. 114, Polaris Magnifier Lamp.

B. A. Pargh, Summer/Spring 1985, p. 115, Illuminated Magnifier Lamp.

Primary Examiner—A. Hugo Word

Assistant Examiner—Doris V. Coles

Attorney, Agent, or Firm—Cohn, Powell & Hind

[57] CLAIM

The ornamental design for a illuminated magnifier head, as shown and described.

DESCRIPTION

FIG. 1 is a perspective view on an illuminated magnifier head, showing my new design;

FIG. 2 is a top plan view thereof;

FIG. 3 is a front elevational view thereof;

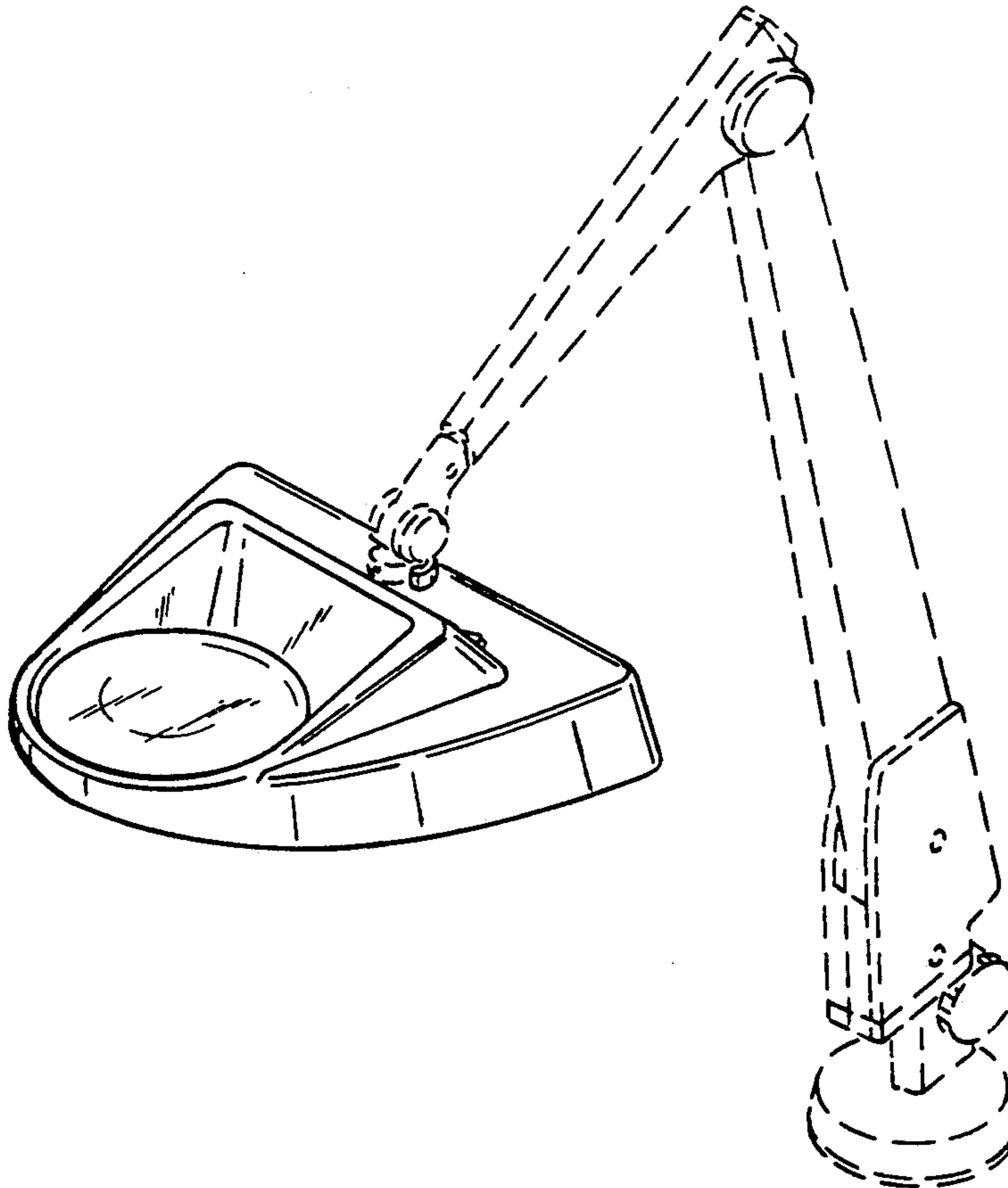
FIG. 4 is a right side elevational view thereof;

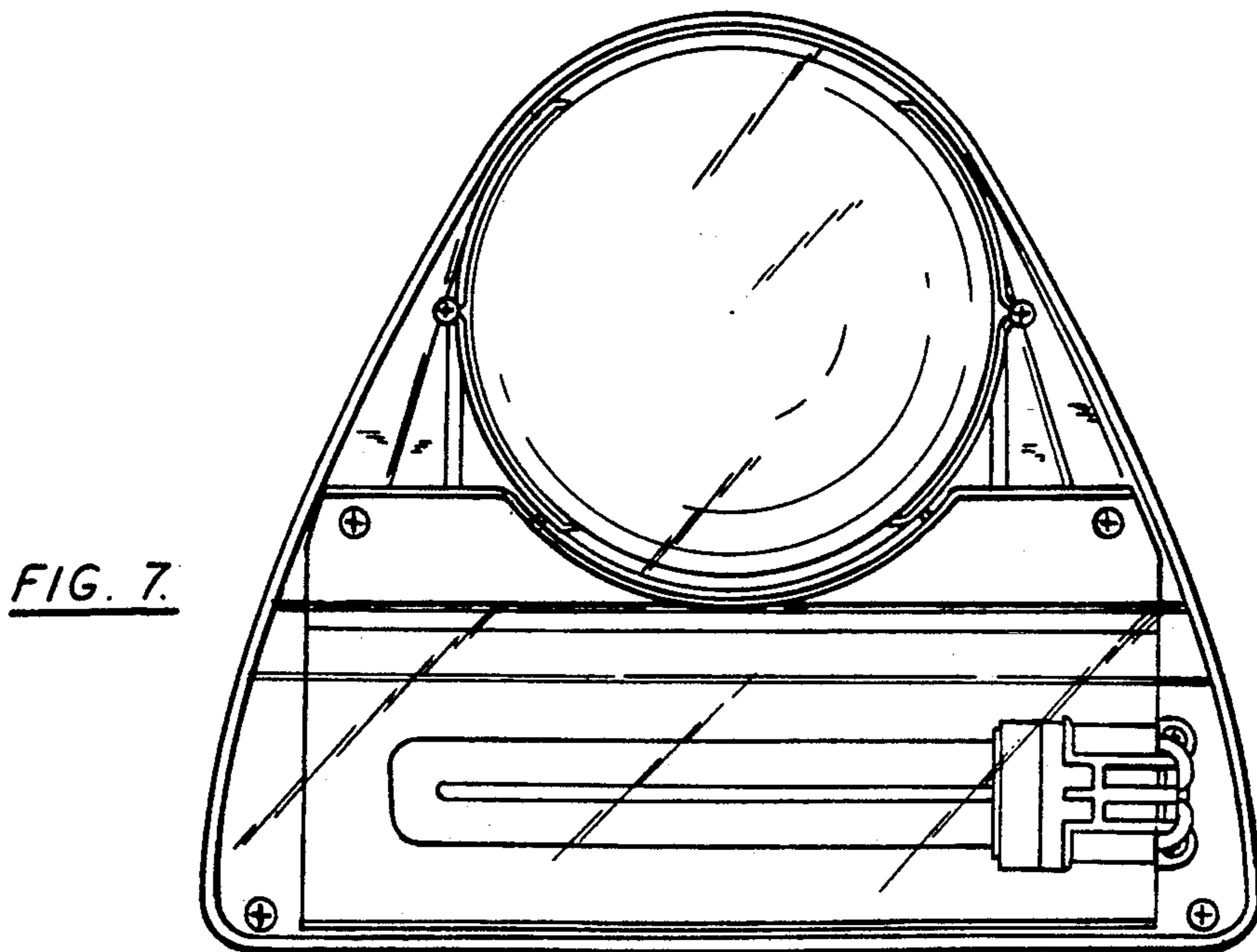
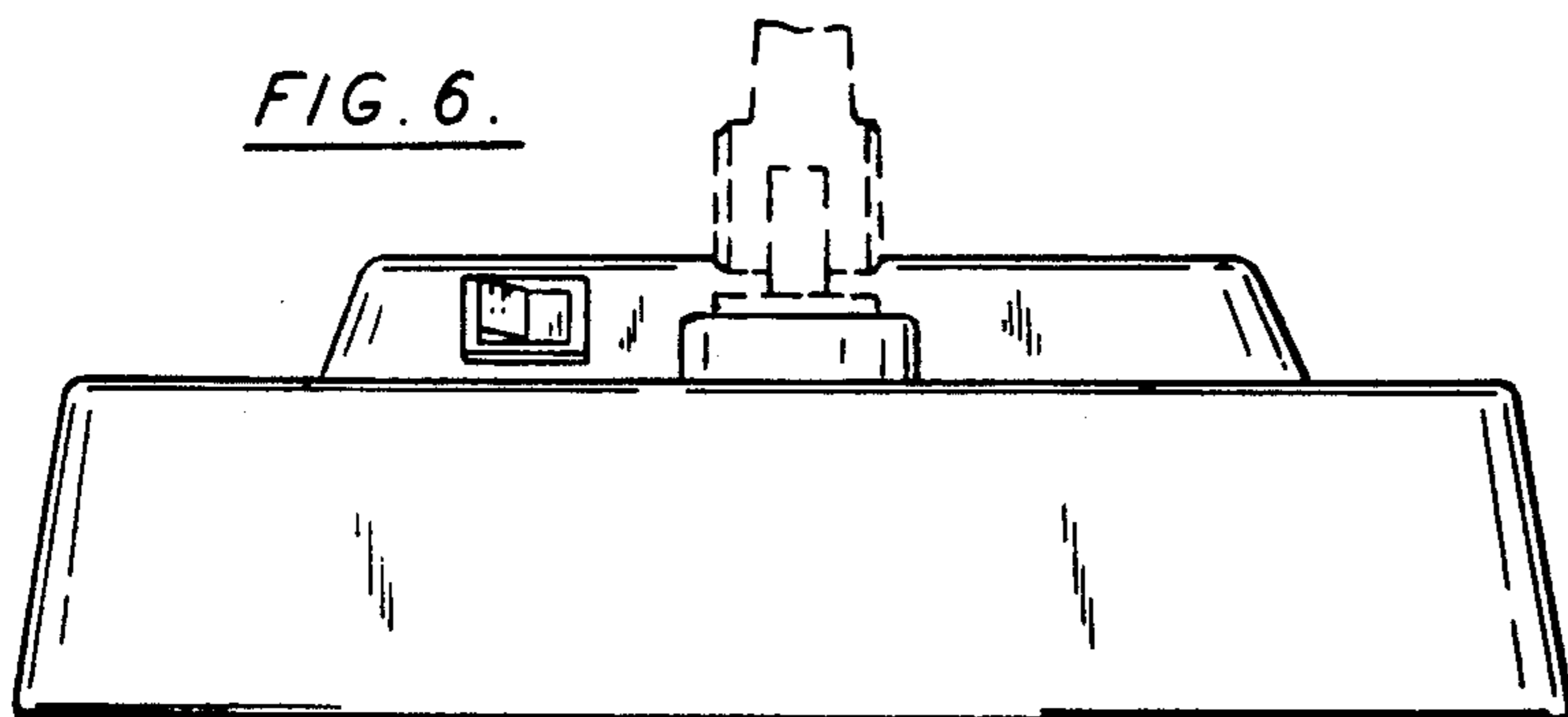
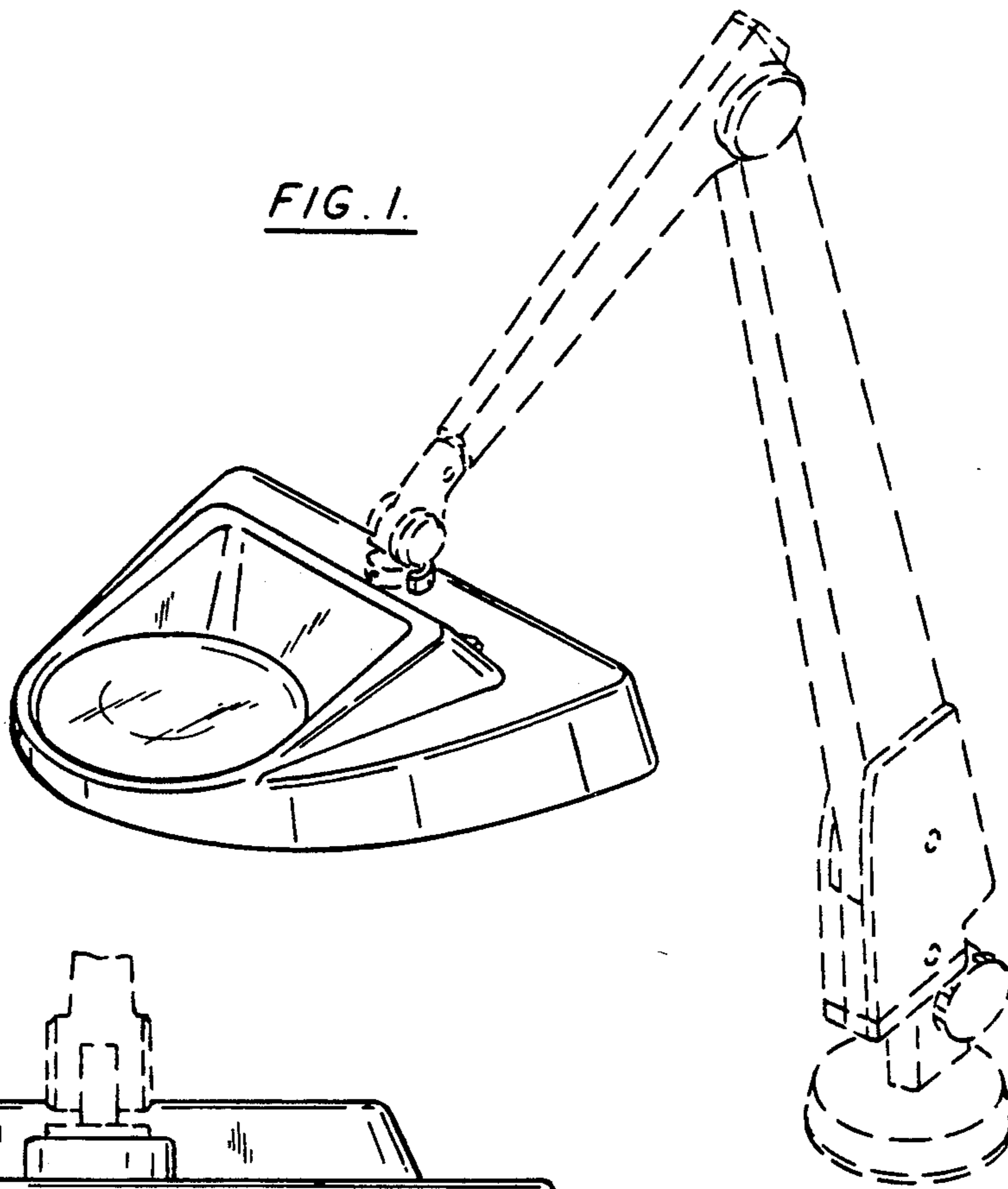
FIG. 5 is a left side elevational view thereof;

FIG. 6 is a rear elevational view thereof; and,

FIG. 7 is a bottom plan view thereof.

The broken line showing of an articulated arm is for illustrative purposes only and forms no part of the claimed design.





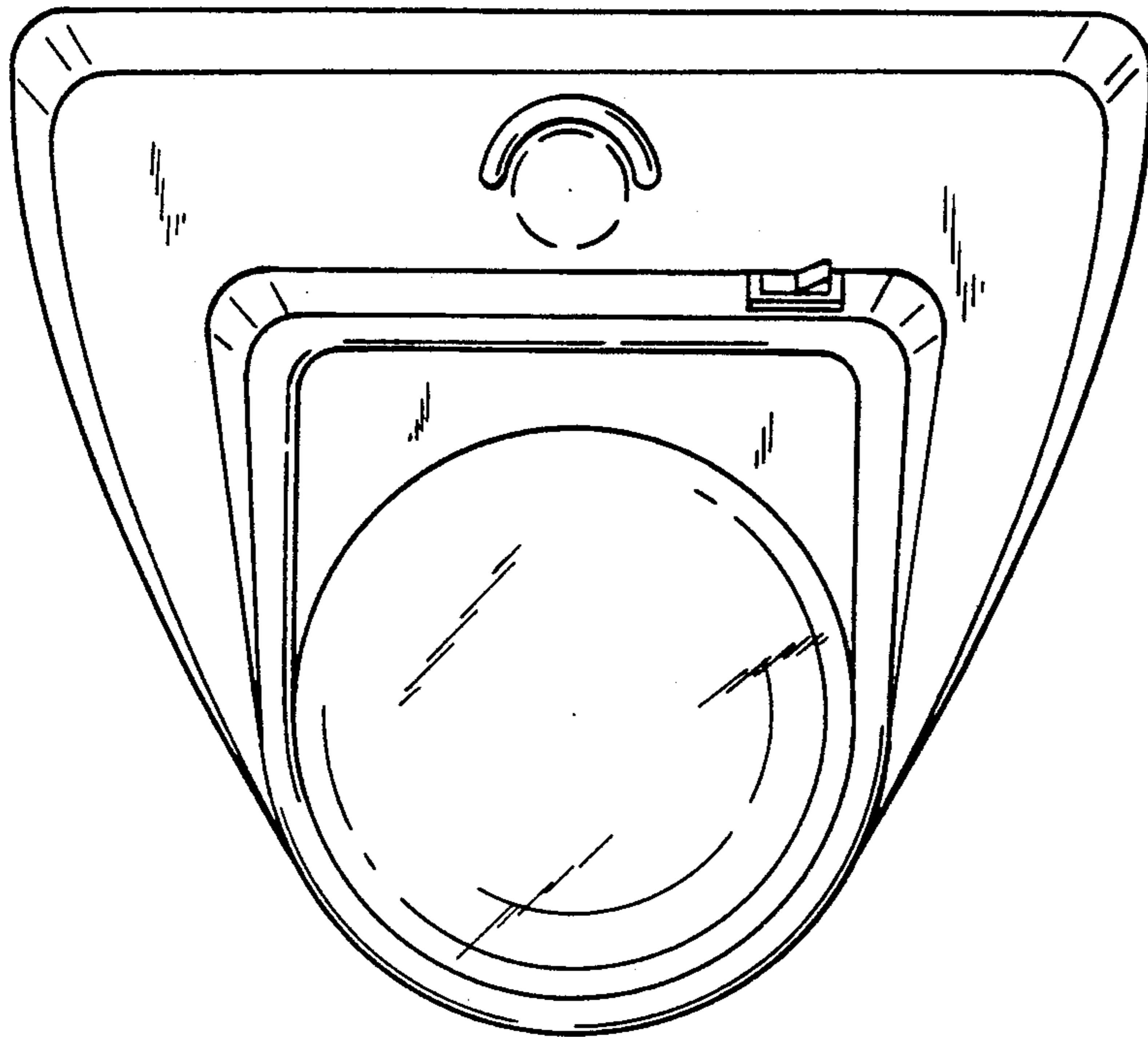


FIG. 2.

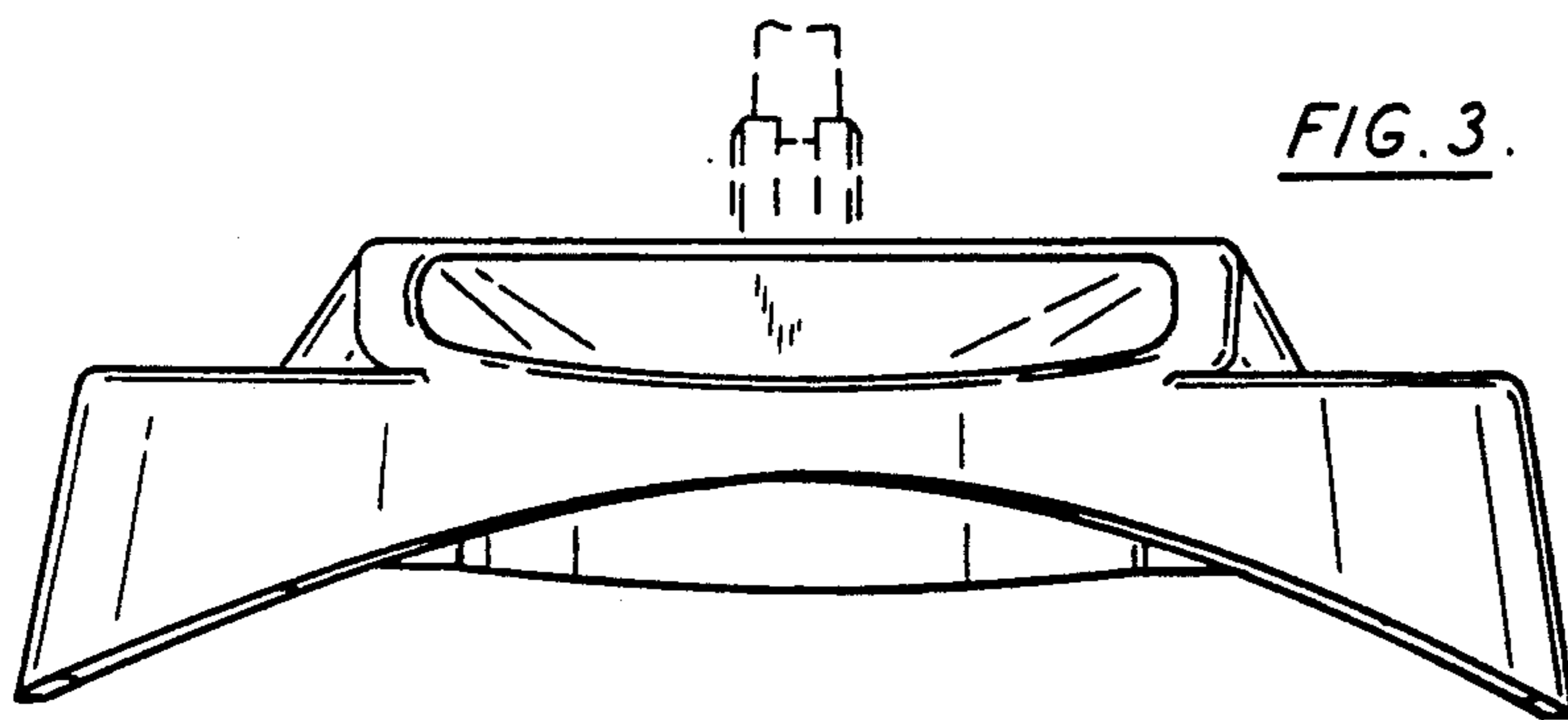


FIG. 3.

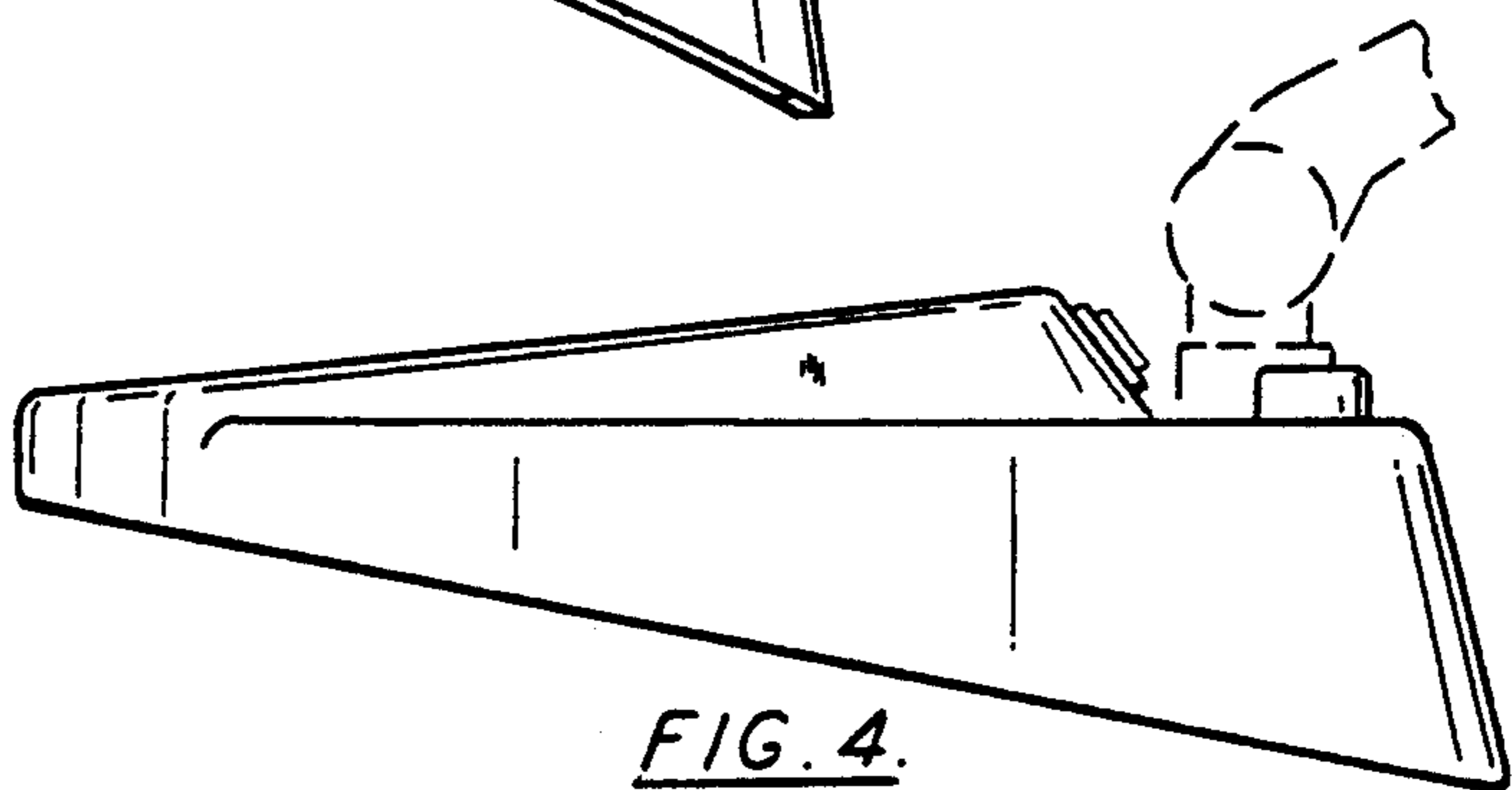


FIG. 4.

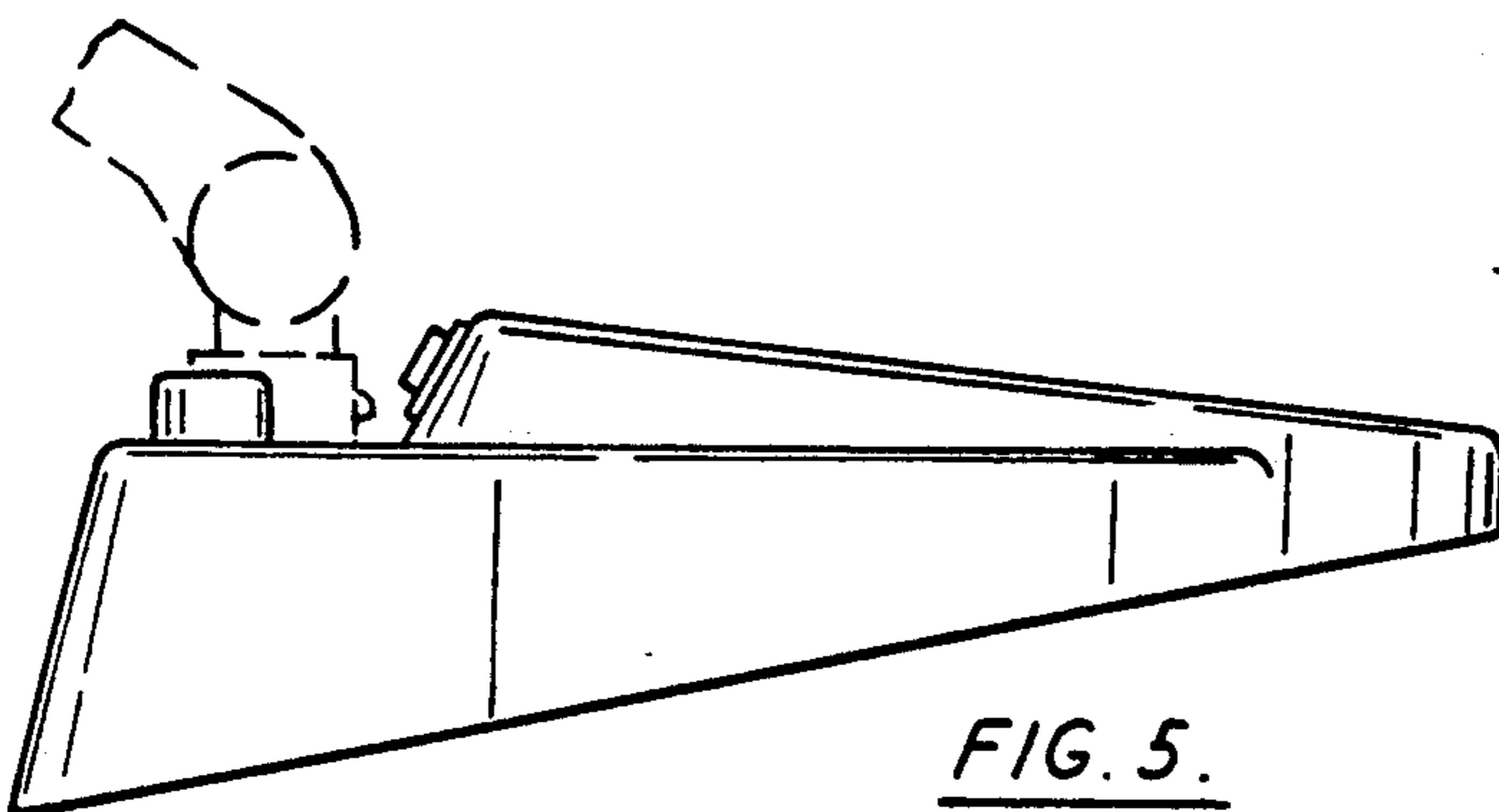


FIG. 5.