



US00D334756S

United States Patent [19]

Sakamoto et al.

[11] Patent Number: **Des. 334,756**

[45] Date of Patent: **** Apr. 13, 1993**

[54] **COMPOUND MITER SAW**

5,042,348 8/1991 Brundage et al. 83/471.3

[75] Inventors: **Masakazu Sakamoto; Toshiaki Saito,**
both of Tokyo, Japan

Primary Examiner—Alan P. Douglas
Assistant Examiner—Antoine D. Davis
Attorney, Agent, or Firm—Sughrue, Mion, Zinn,
Macpeak & Seas

[73] Assignee: **Ryobi Ltd., Hiroshima, Japan**

[**] Term: **14 Years**

[57] **CLAIM**

[21] Appl. No.: **798,798**

The ornamental design for a compound miter saw, as shown.

[22] Filed: **Nov. 27, 1991**

[52] U.S. Cl. **D15/133**

DESCRIPTION

[58] Field of Search **D15/127, 133; D8/66,**
D8/71; 83/471.1, 471.3, 477, 581

FIG. 1 is a top plan view of a compound miter saw showing our new design;

[56] **References Cited**

U.S. PATENT DOCUMENTS

- D. 295,823 5/1988 Brickner, Jr. et al. D15/133
- D. 317,110 5/1991 Arehart .
- D. 326,668 6/1992 Arehart et al. D15/133

FIG. 2 is a front elevational view thereof;

FIG. 3 is a left side elevational view thereof;

FIG. 4 is a right side elevational view thereof;

FIG. 5 is a rear elevational view thereof;

FIG. 6 is a bottom plan view thereof; and,

FIG. 7 is a front and left side perspective view thereof.

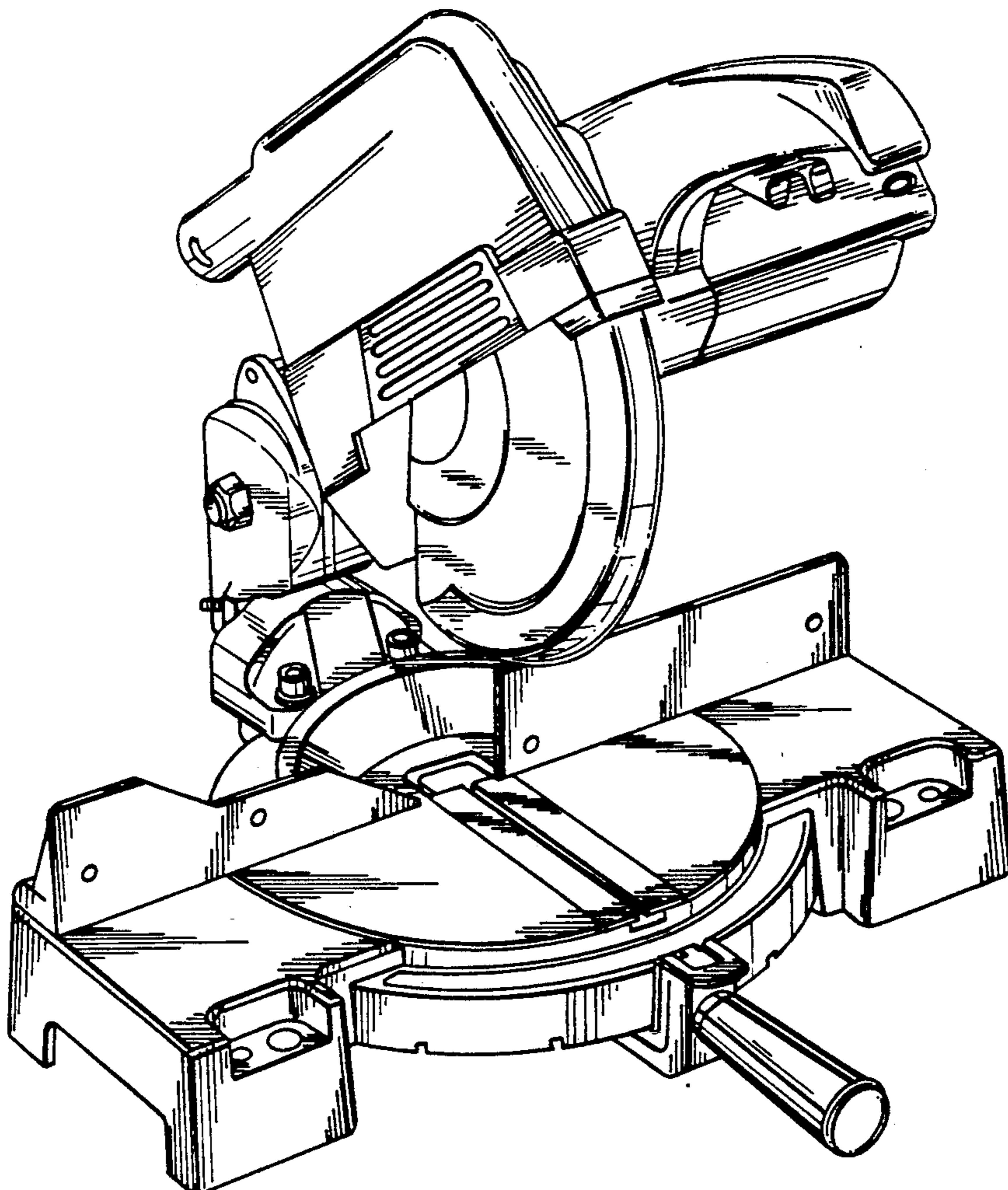


FIG. 1

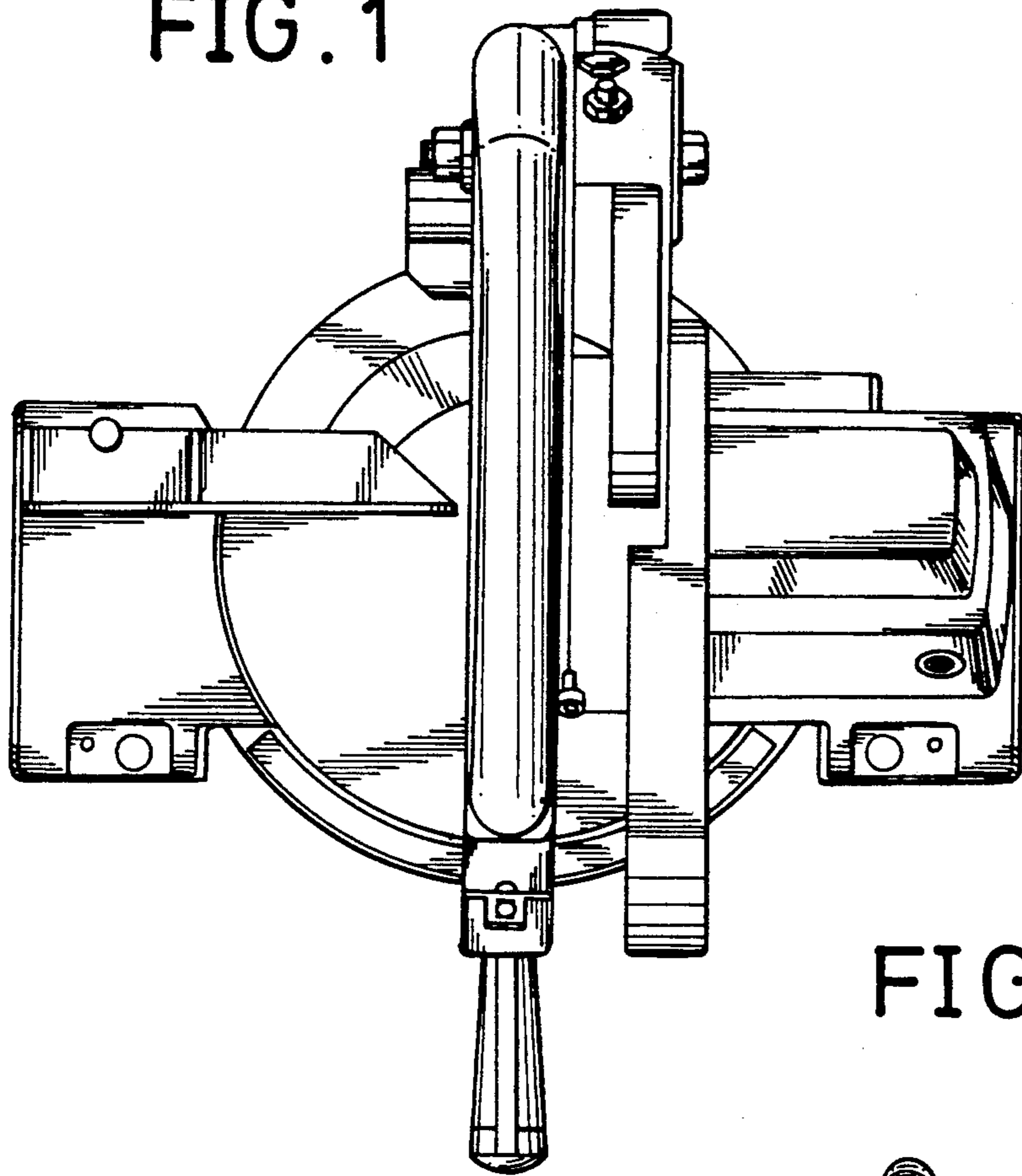


FIG. 2

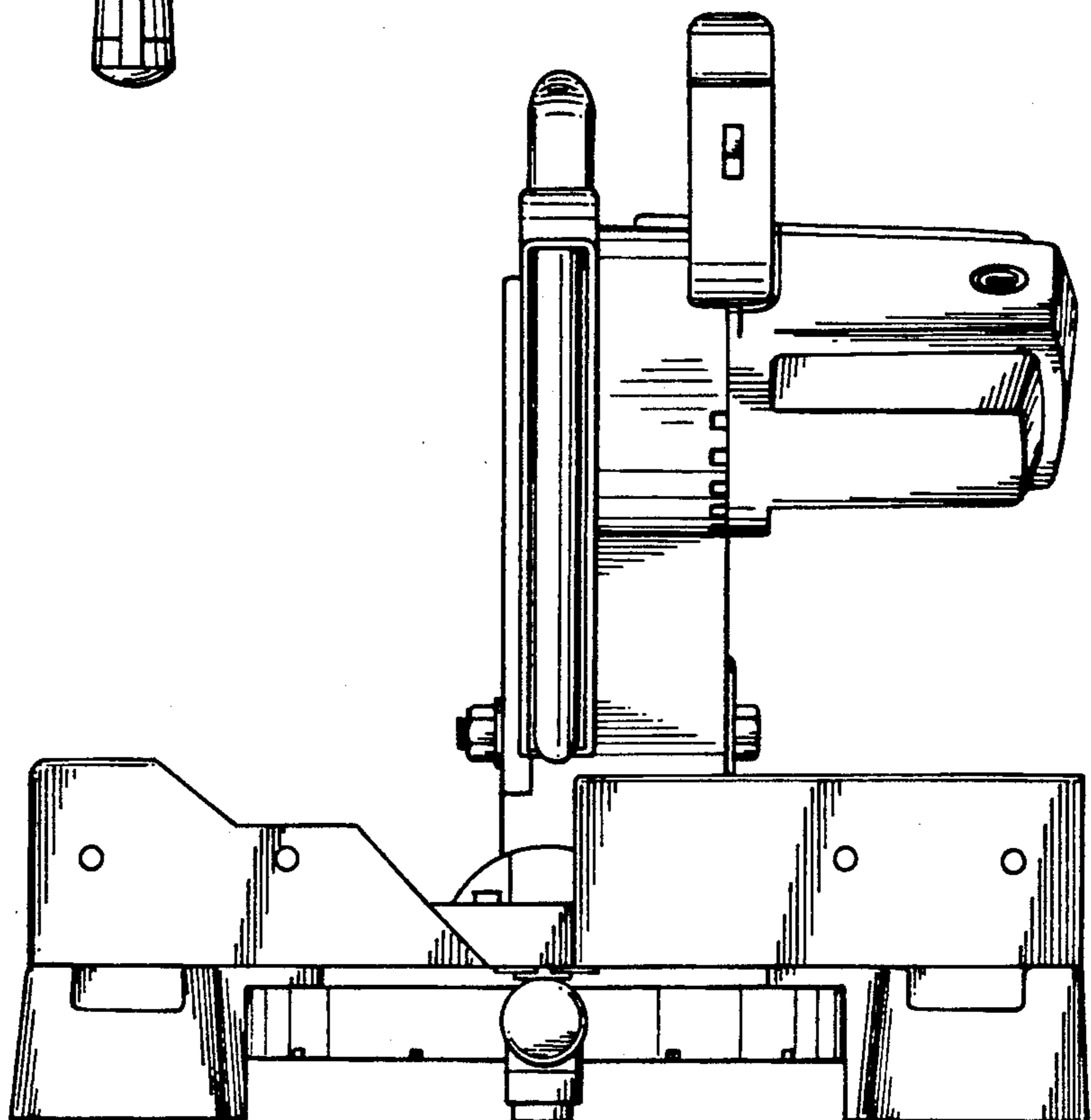


FIG. 3

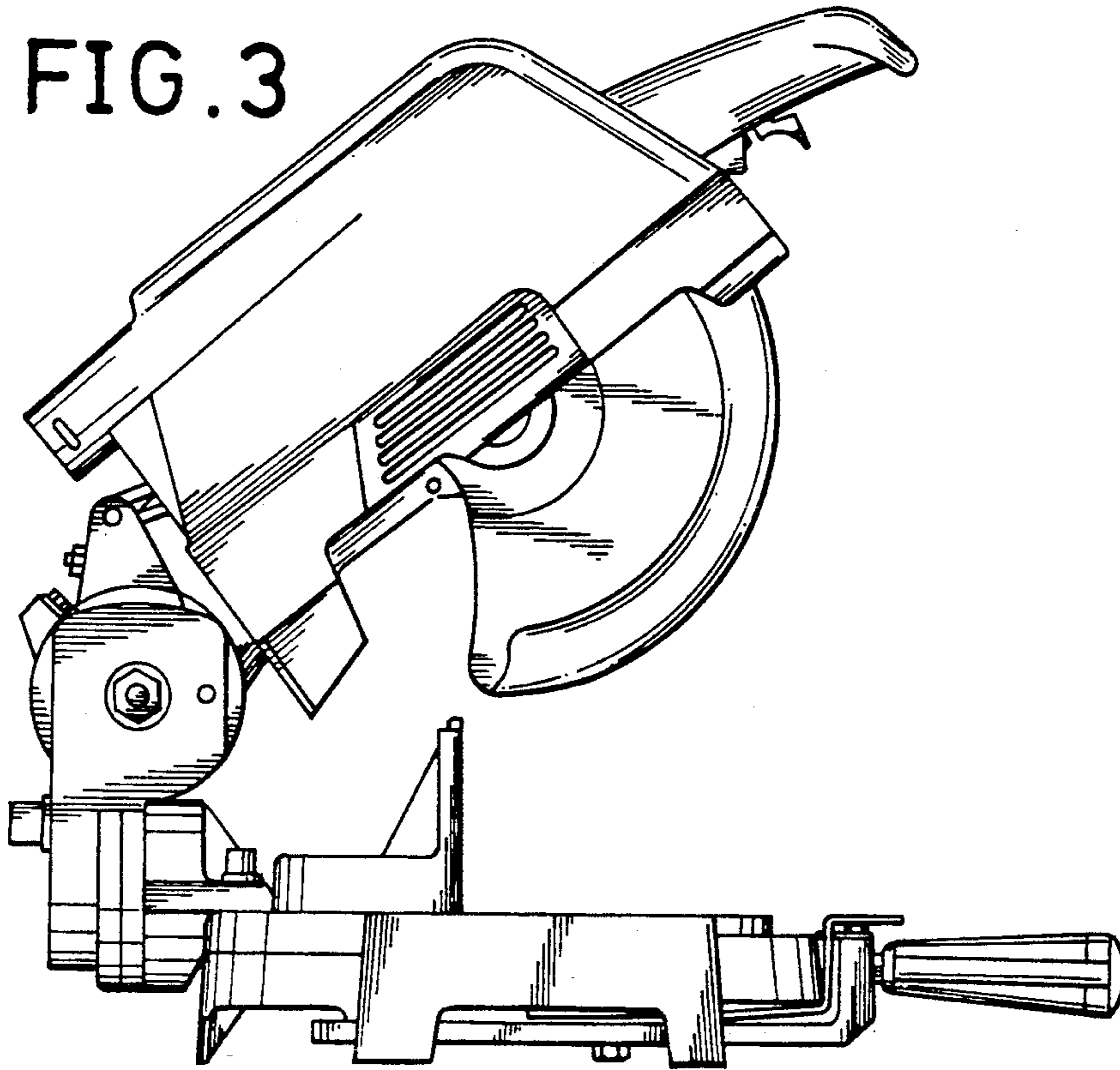


FIG. 4

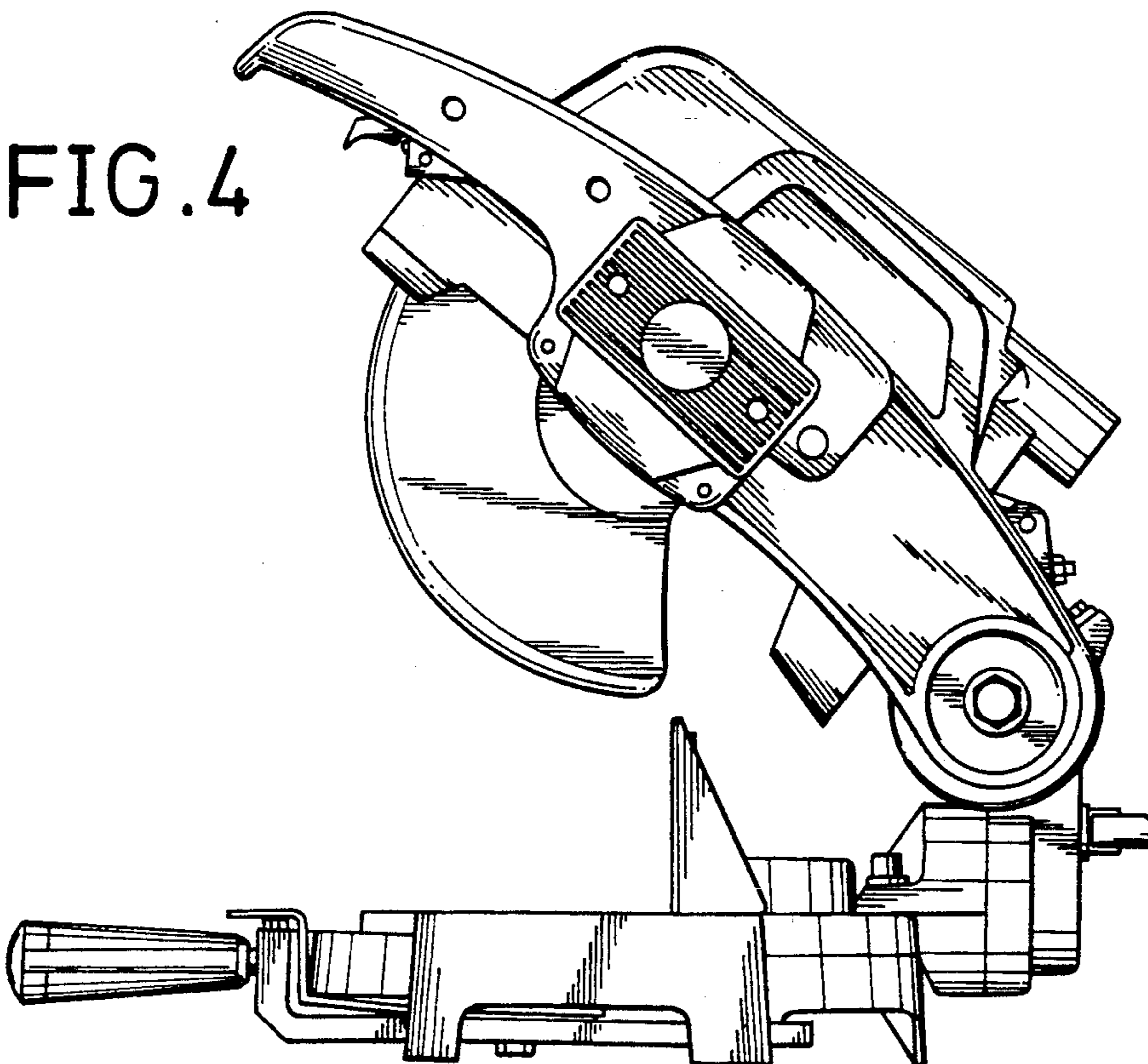


FIG. 5

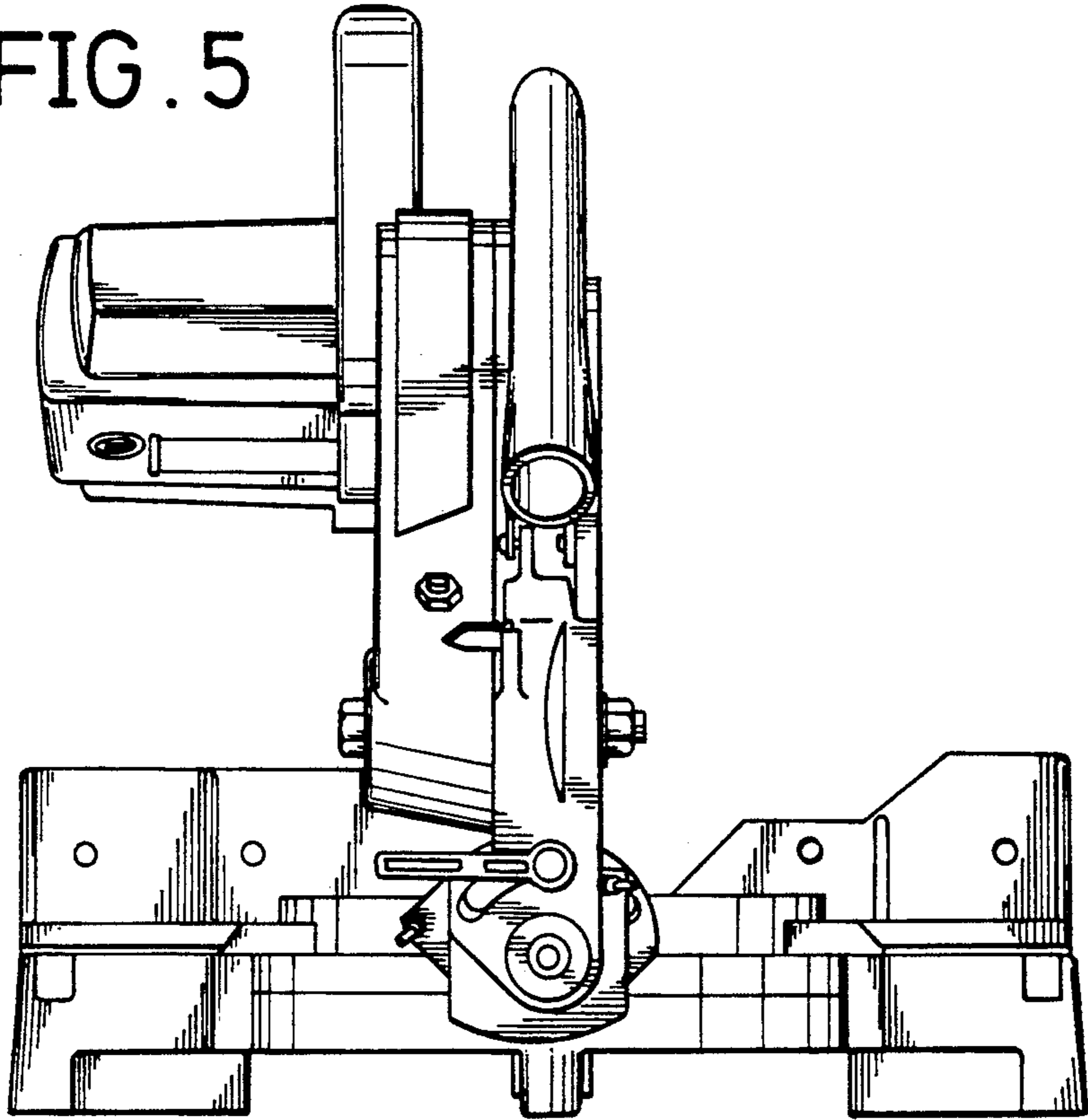


FIG. 6

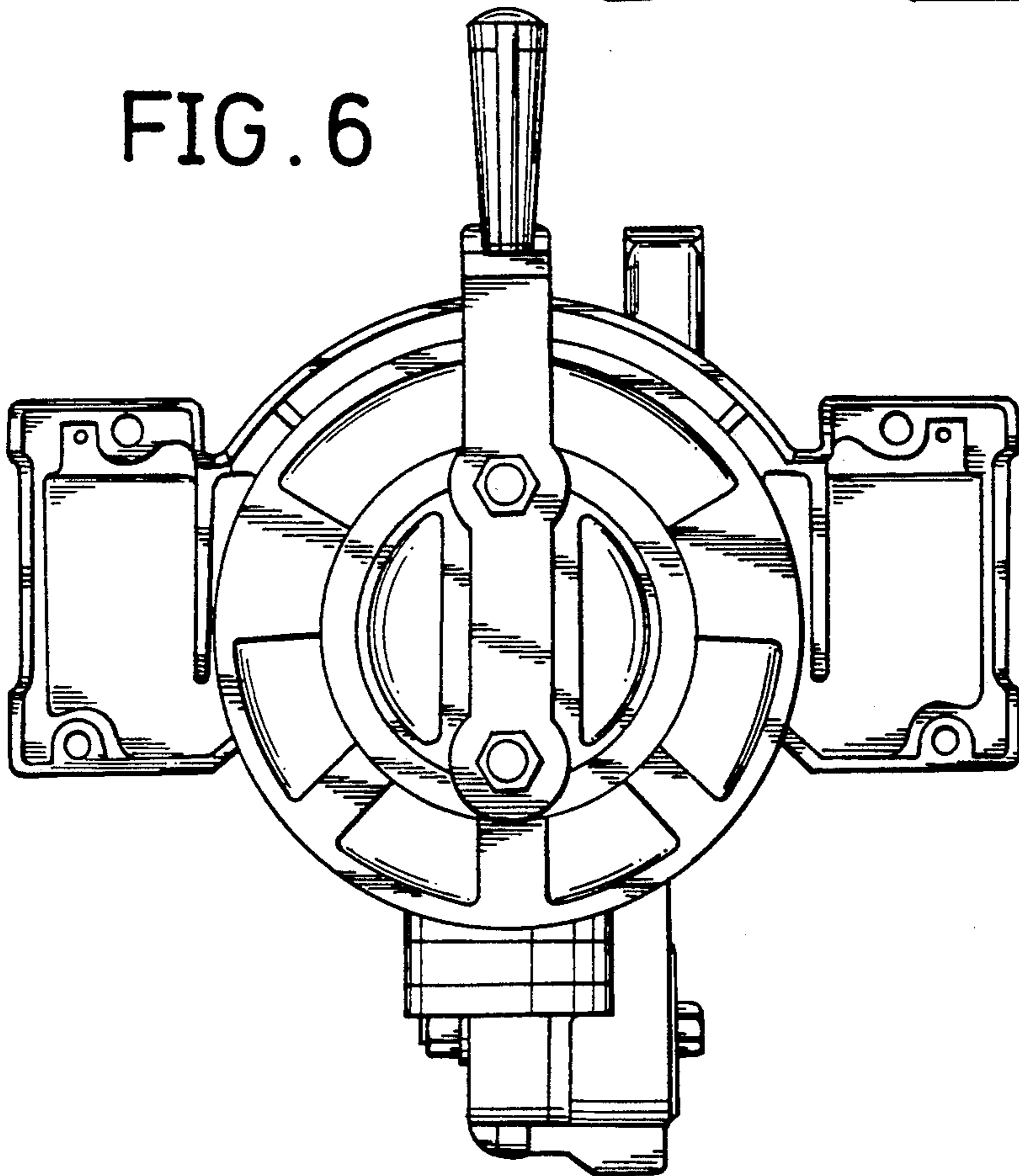


FIG. 7

