



US00D334754S

United States Patent [19]

Pearson et al.

[11] Patent Number: **Des. 334,754**

[45] Date of Patent: **** Apr. 13, 1993**

[54] TUBE BENDER READOUT INSTRUMENT

[75] Inventors: **Richard A. Pearson**, Ellicottville, N.Y.; **Richard E. Potesta**, Chesterland, Ohio

[73] Assignee: **Stride Tool, Inc.**, Ellicottville, N.Y.

[**] Term: **14 Years**

[21] Appl. No.: **773,398**

[22] Filed: **Oct. 1, 1991**

[52] U.S. Cl. **D15/123; D8/32**

[58] Field of Search **D15/123, 199; D8/32; 72/11, 12, 31, 32, 149, 157, 217, 306, 389, 442, 458, 459, 477; 73/862.23; 81/9.44, 483, 486**

[56] References Cited

U.S. PATENT DOCUMENTS

| | | | |
|------------|---------|-------------------|-----------|
| D. 199,459 | 10/1964 | Small et al. | D8/32 |
| 4,380,922 | 4/1983 | Kowal | D15/199 X |
| 4,452,064 | 5/1984 | Custin | 72/459 |
| 4,587,832 | 5/1986 | Illguth | 72/32 X |
| 4,827,755 | 5/1989 | Strybel | 72/459 X |

OTHER PUBLICATIONS

Parker Hannifin Corp., HB632 Tube Bender, Jan. 1987, cover page.

Primary Examiner—Alan P. Douglas
Assistant Examiner—Antoine D. Davis
Attorney, Agent, or Firm—Hodgson Russ Andrews Woods & Goodyear

[57] CLAIM

The ornamental design for a tube bender readout instrument, as shown and described.

DESCRIPTION

FIG. 1 is a perspective view of a tube bender readout instrument showing our new design, the broken line showing of a tube bender is for illustrative purposes only and forms no part of the claimed design; FIG. 2 is a top plan view thereof; and FIG. 3 is a bottom plan view thereof; FIG. 4 is a left side elevational view thereof; FIG. 5 is a right side elevational view thereof; FIG. 6 is a front elevational view thereof; and, FIG. 7 is a rear elevational view thereof. The broken lines showing of the tube bender in FIG. 1 is for illustrative purposes only and forms no part of the claimed design.

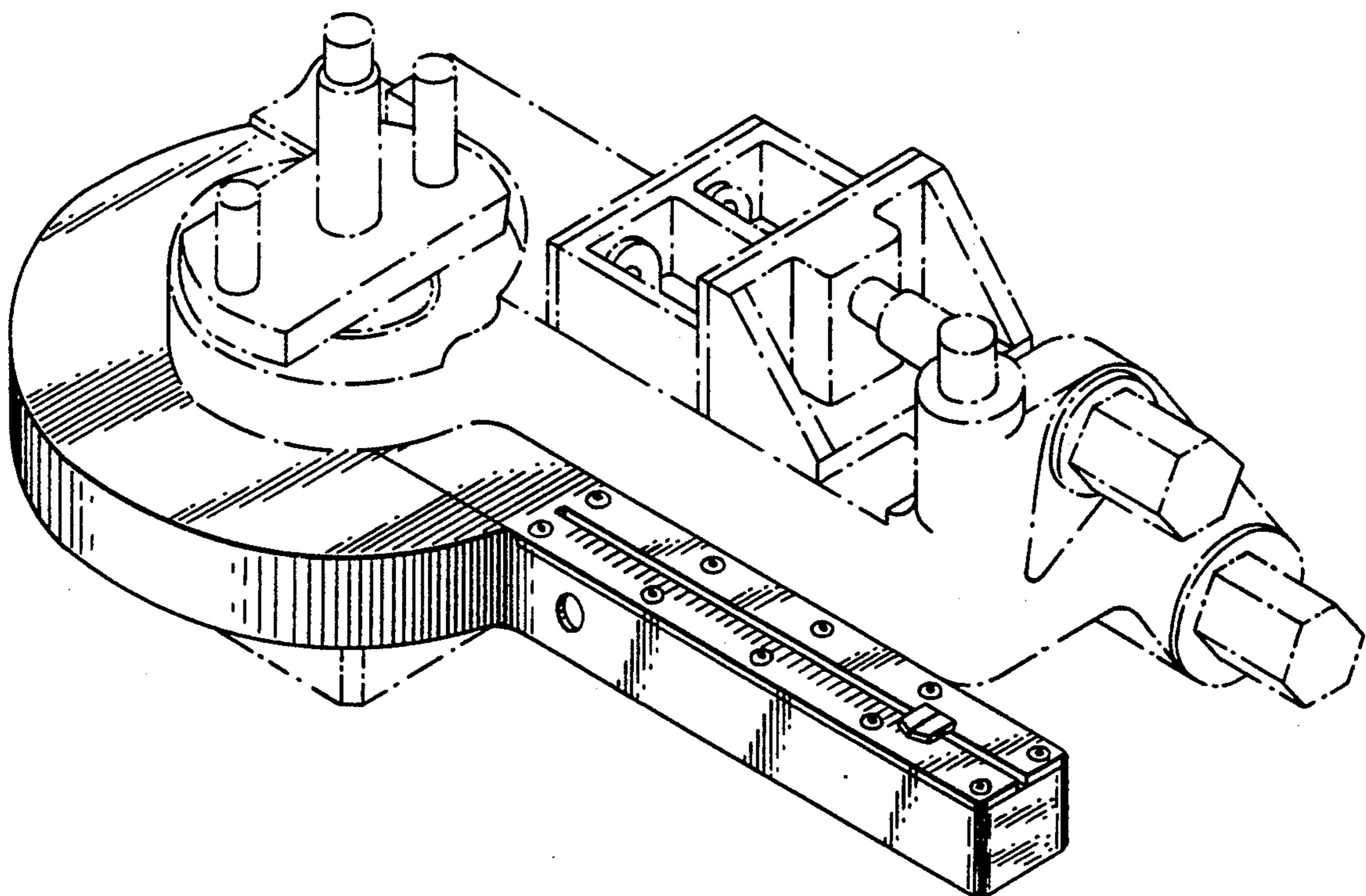
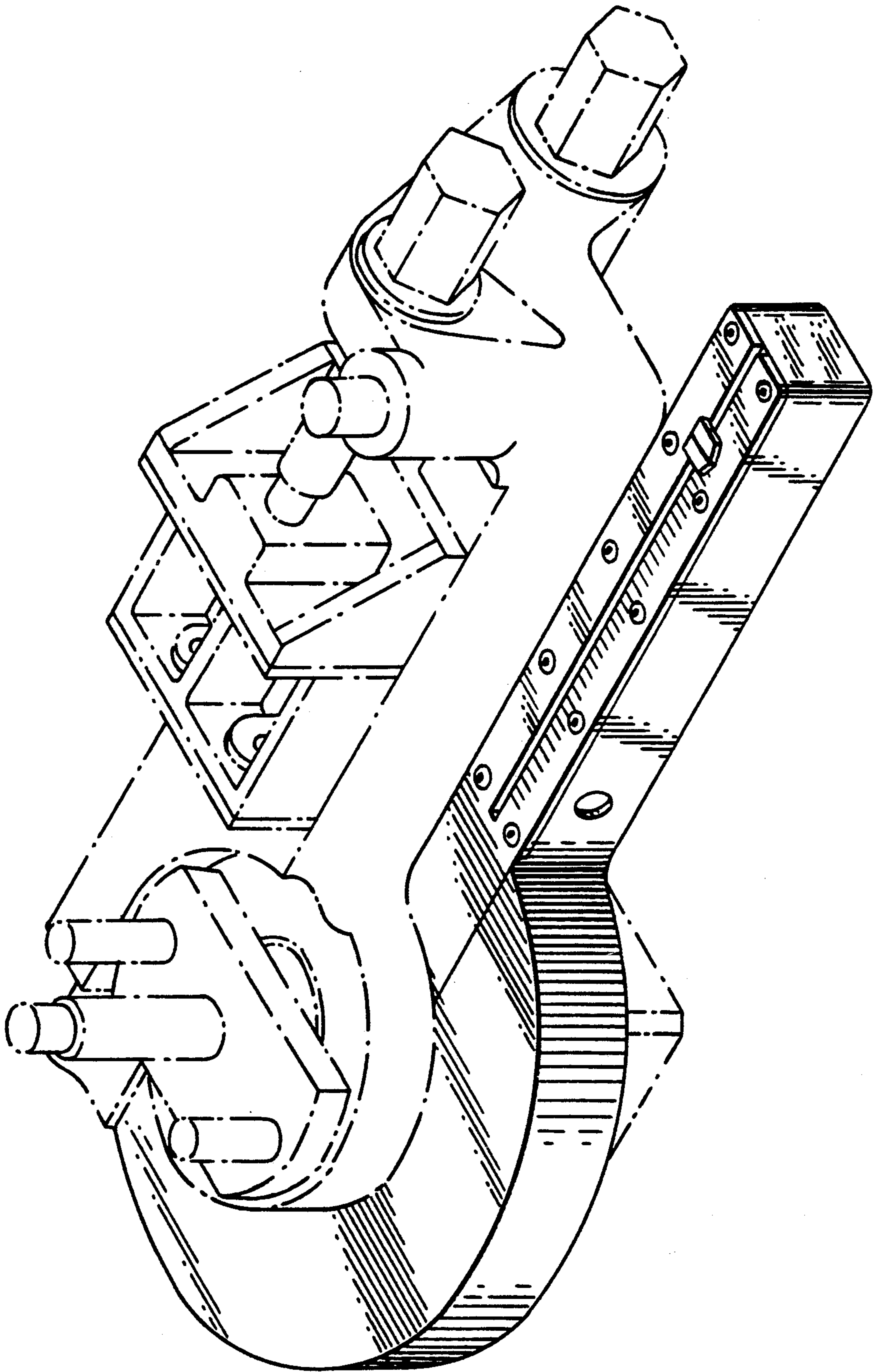


Fig. 1.



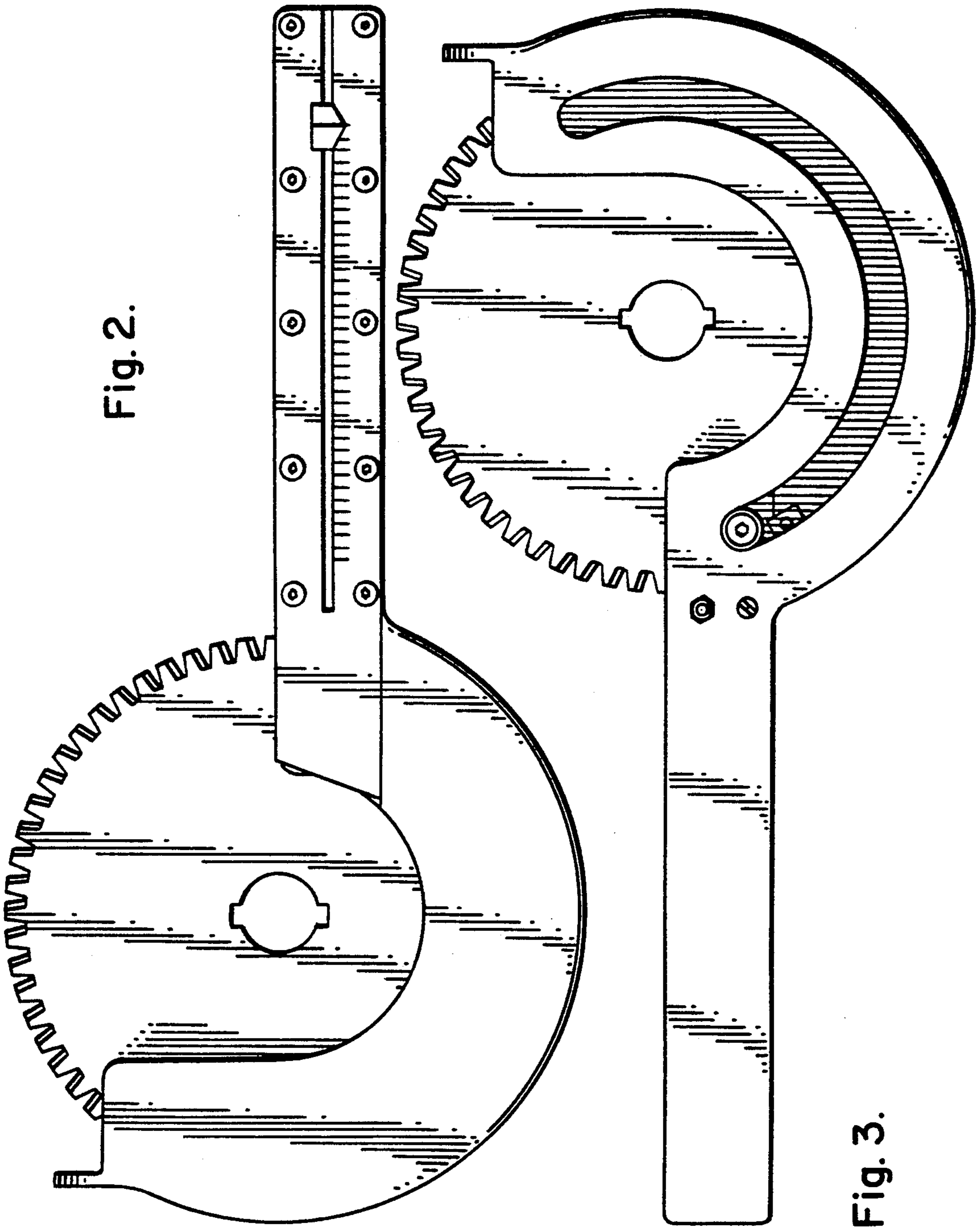


Fig. 2.

Fig. 3.

Fig. 4.

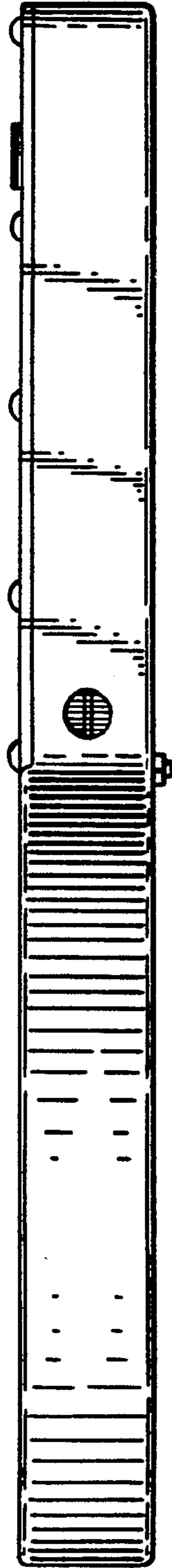


Fig. 5.

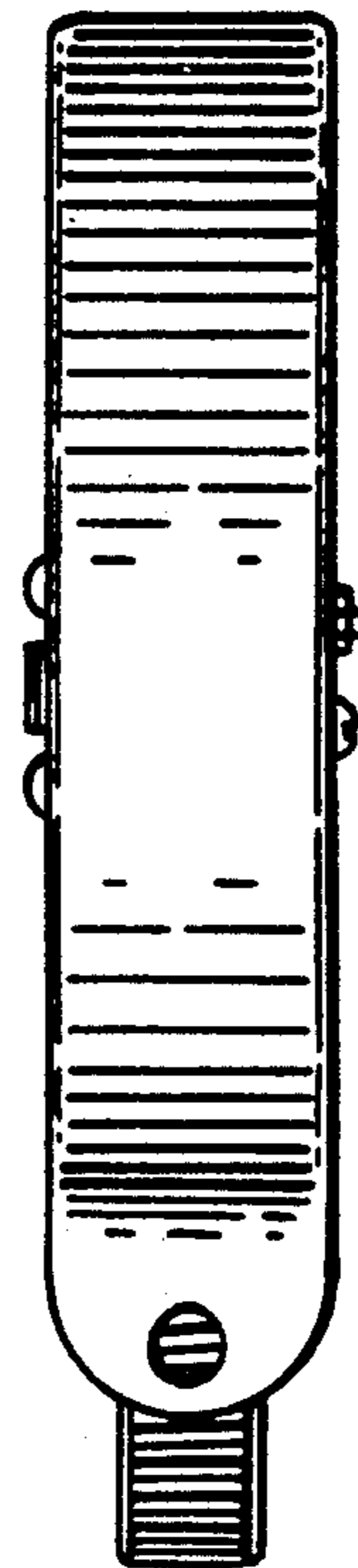
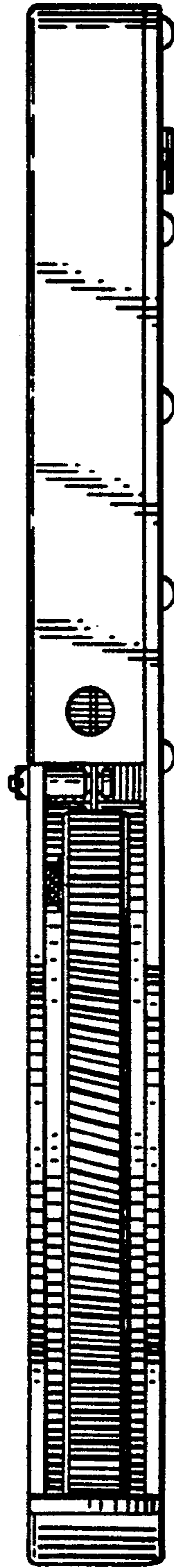


Fig. 6.

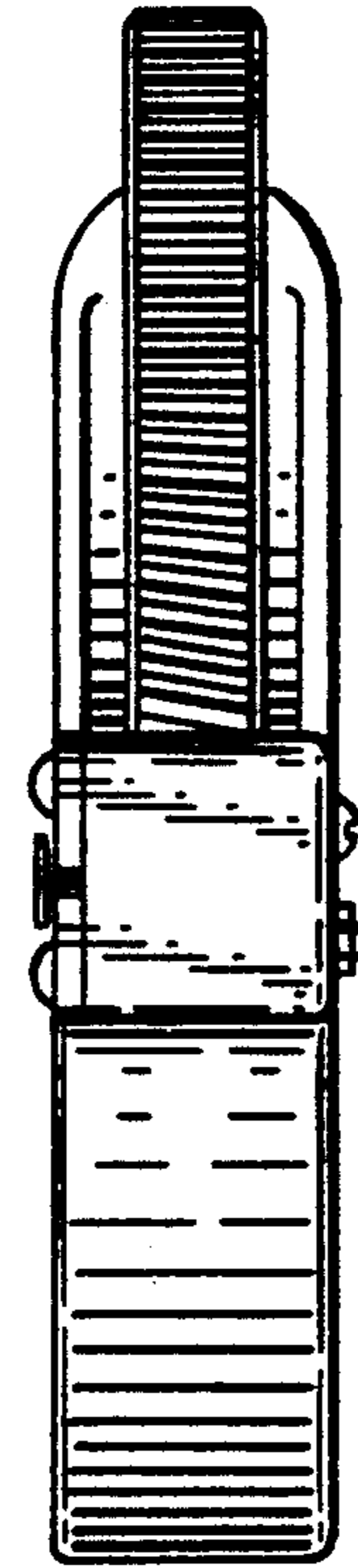


Fig. 7.