



US00D334745S

United States Patent [19]

Lindeman et al.

[11] Patent Number: **Des. 334,745**

[45] Date of Patent: **** Apr. 13, 1993**

[54] **TWO-WAY MARINE RADIO**

[75] Inventors: **Phillip E. Lindeman, Roselle;**
Terrance N. Taylor, Cary, both of Ill.

[73] Assignee: **Motorola Inc., Schaumburg, Ill.**

[**] Term: **14 Years**

[21] Appl. No.: **628,868**

[22] Filed: **Dec. 14, 1990**

[52] U.S. Cl. **D14/137**

[58] Field of Search **D14/137-138,**
D14/157, 257-258; 455/73, 89-90, 345-347

[56] **References Cited**

U.S. PATENT DOCUMENTS

- D. 276,998 1/1985 Caven D13/184
- D. 300,632 4/1989 Culbertson D14/137
- D. 311,403 10/1990 Culbertson D14/137 X
- D. 314,572 2/1991 Dickson D14/137

D. 314,772 2/1991 Pierce et al. D14/137 X

Primary Examiner—Theodore M. Shooman
Attorney, Agent, or Firm—Donald B. Southard

[57] **CLAIM**

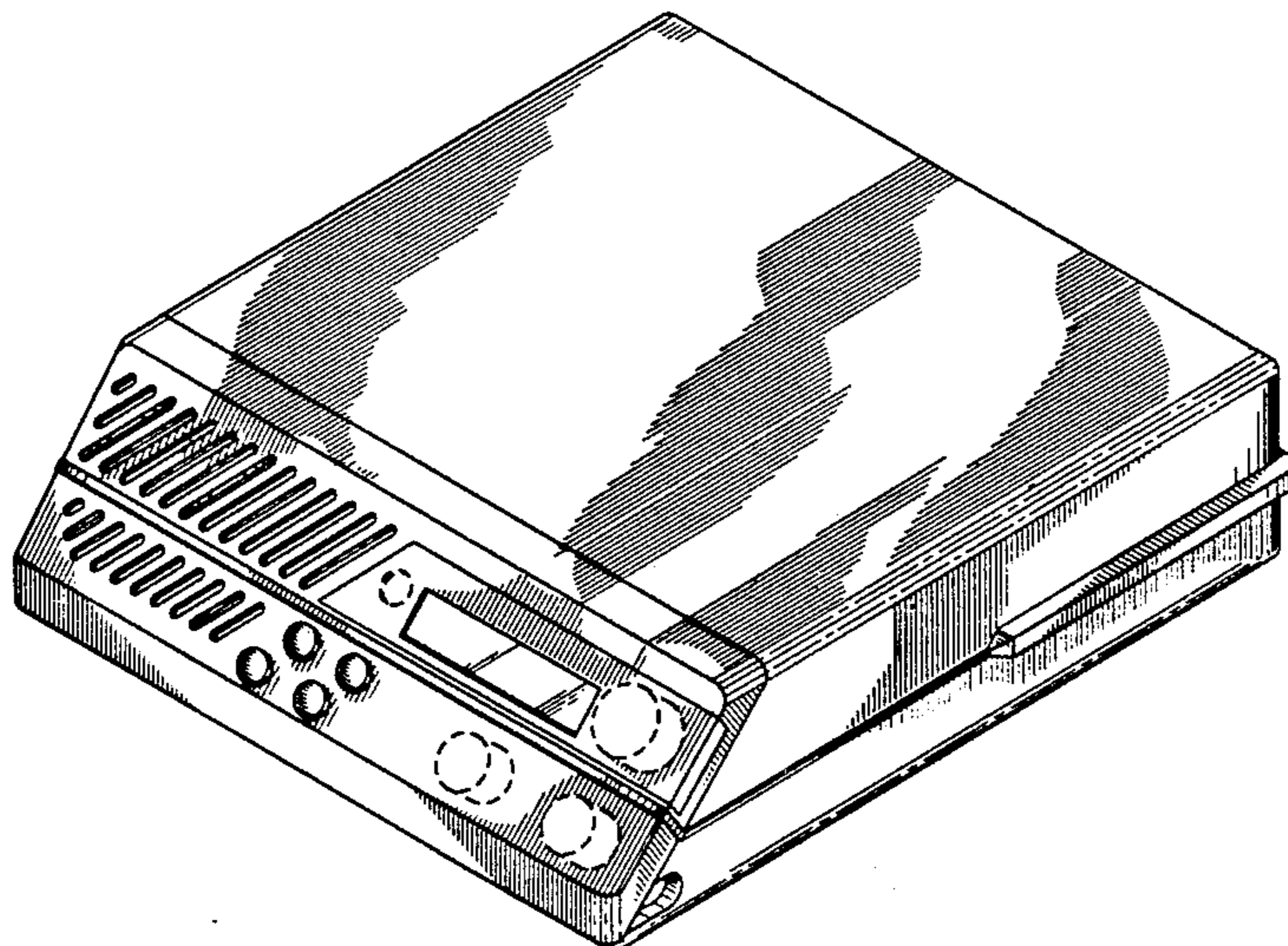
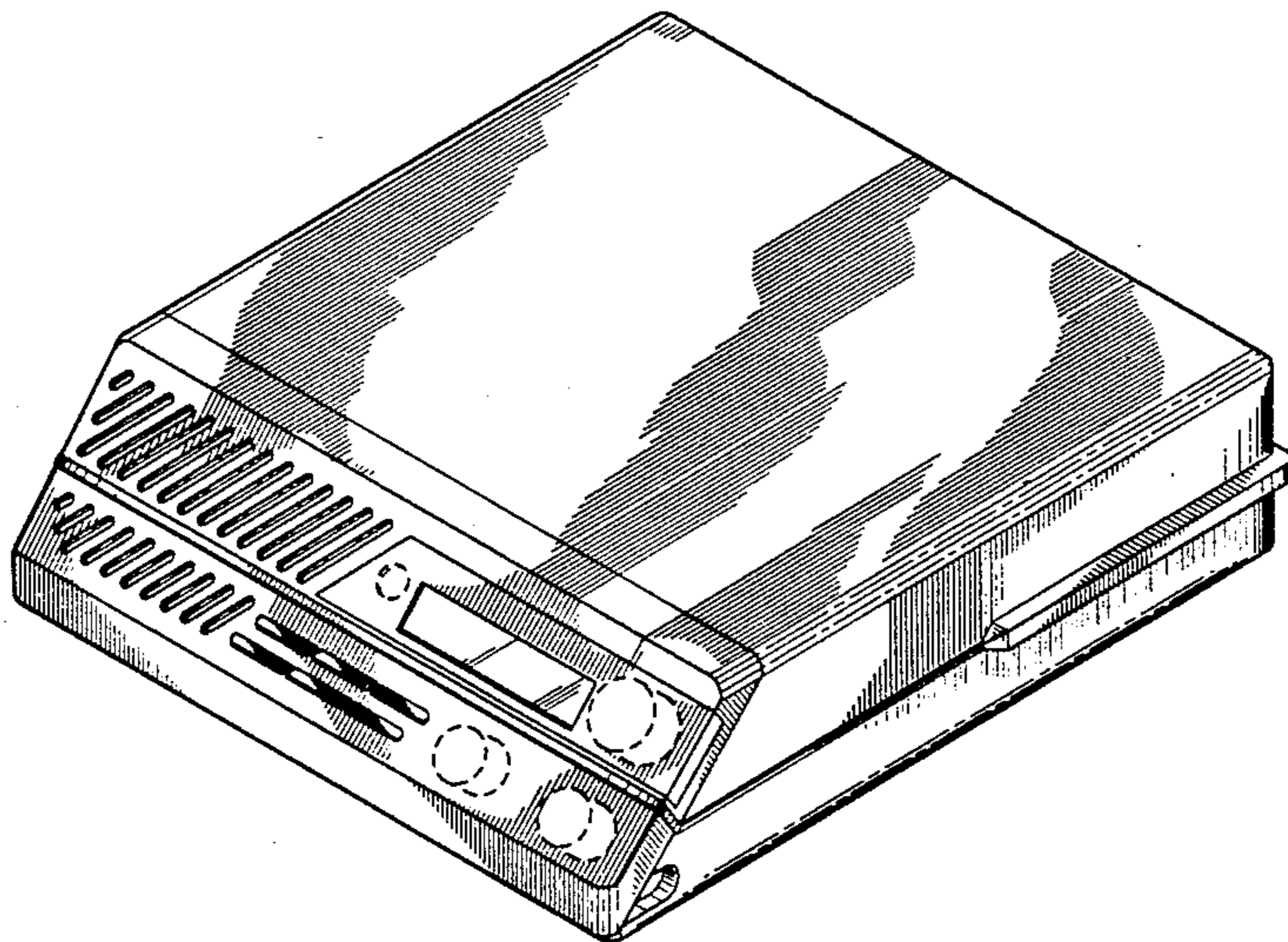
The ornamental design for a two-way marine radio, as shown and described.

DESCRIPTION

FIG. 1 is a top, front and right side perspective view of a two-way marine radio showing our new design; FIG. 2 is a left side elevational view thereof; FIG. 3 is a rear elevational view thereof; FIG. 4 is a bottom plan view thereof; and, FIG. 5 is a top, front and right side perspective view of a second embodiment thereof.

The views of the second embodiment not illustrated are the same as the corresponding views of the first embodiment.

The broken line showing of the knobs is for illustrative purposes only and forms no part of the claimed design.



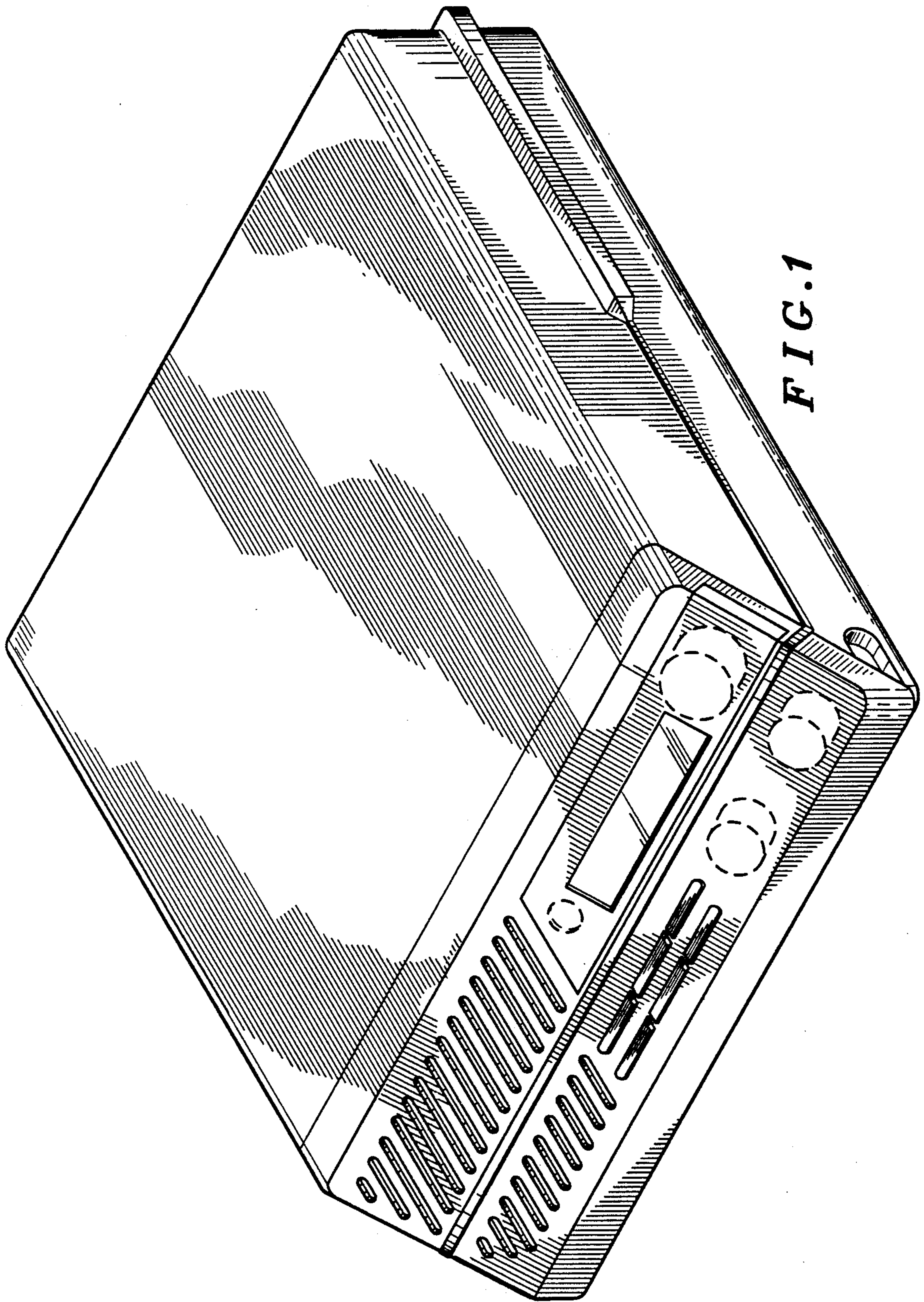


FIG. 1

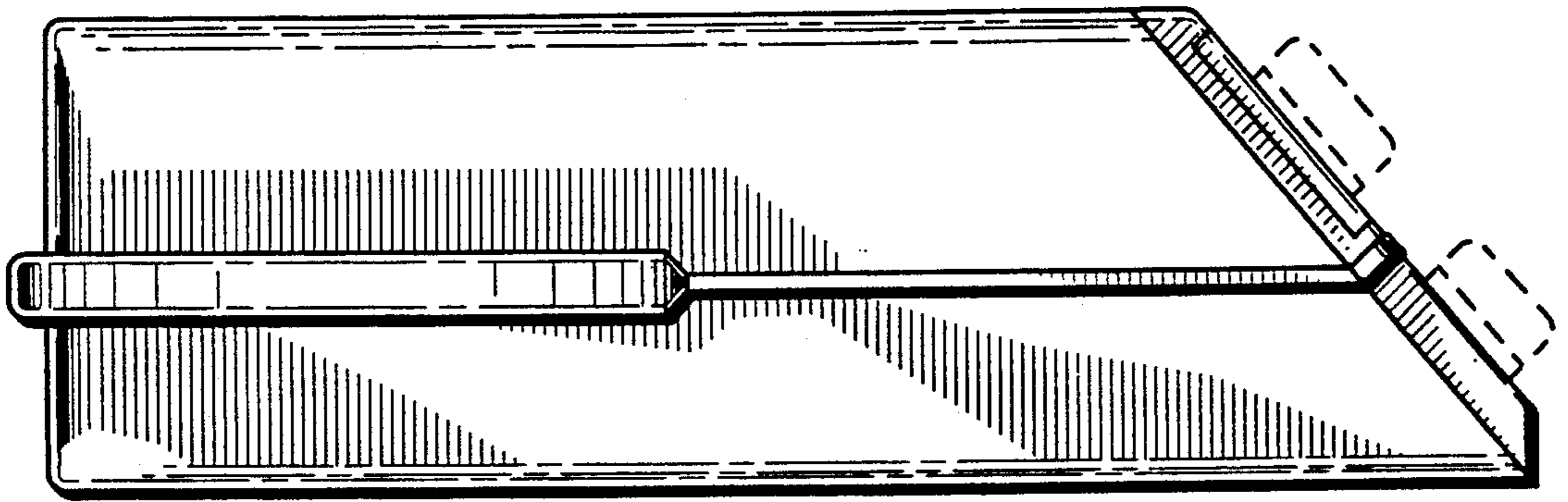


FIG. 2

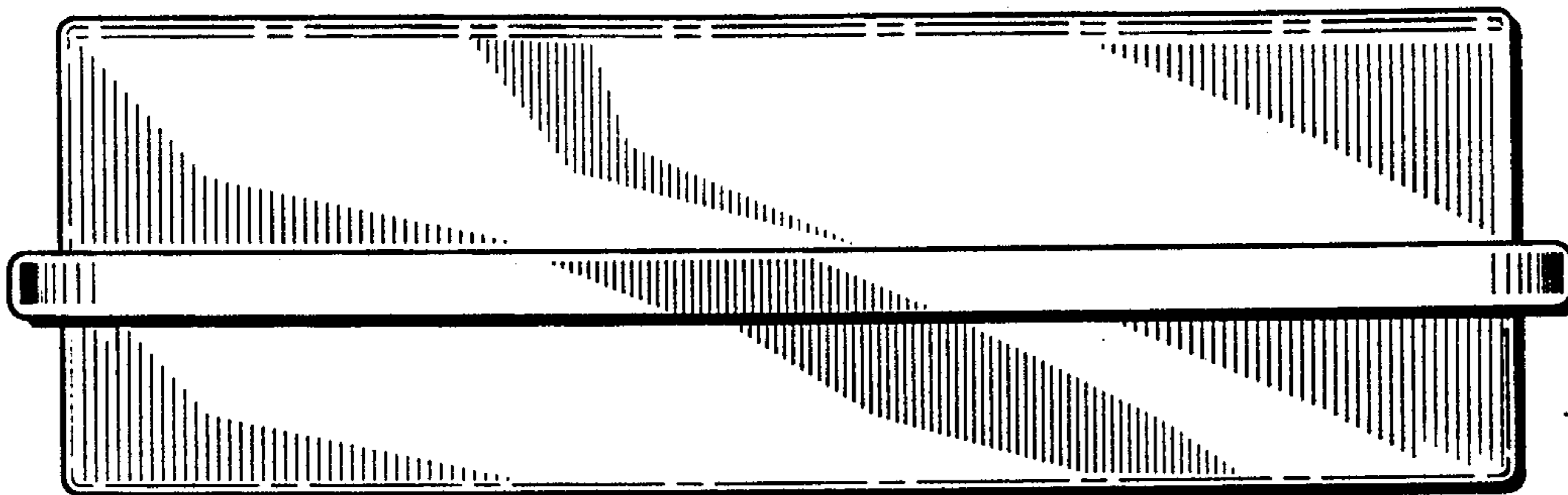


FIG. 3

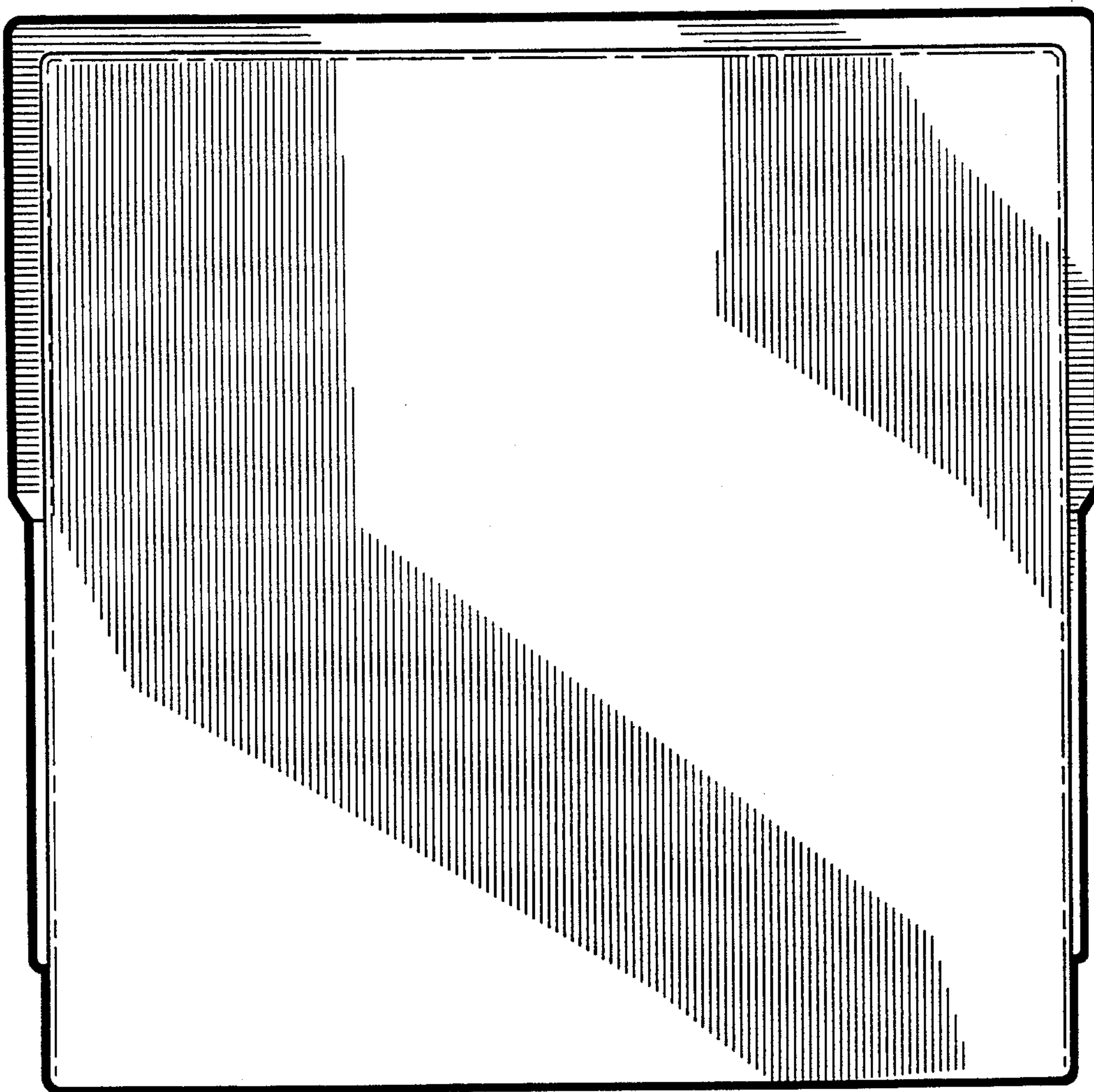


FIG. 4

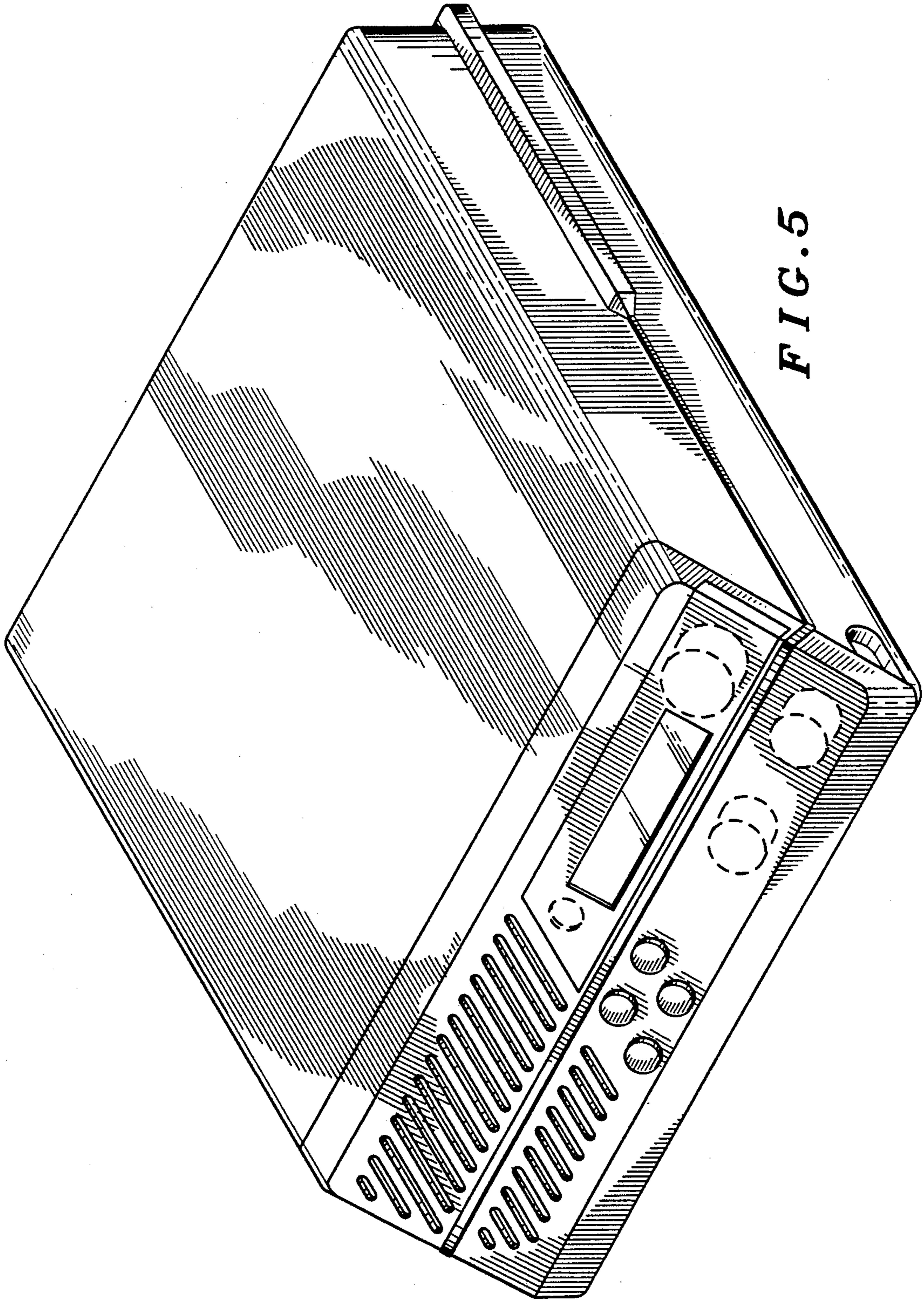


FIG. 5