



US00D334741S

# United States Patent [19]

[11] Patent Number: **Des. 334,741**

Pangburn et al.

[45] Date of Patent: **\*\* Apr. 13, 1993**

[54] **DISPLAY FOR COMPUTER**

[56] **References Cited**

[75] Inventors: **Thomas E. Pangburn**, Lexington, Ky.; **John A. Wiseman**, Winchester, England

### U.S. PATENT DOCUMENTS

- D. 295,863 5/1988 Sacherman ..... D14/113
- D. 303,380 9/1989 Grange et al. .... D14/113
- D. 305,755 1/1990 Suyama et al. .... D14/113
- D. 306,159 2/1990 Grange et al. .... D14/113
- D. 321,344 11/1991 Steinbugler et al. .... D14/113
- D. 321,345 11/1991 Foster et al. .... D14/113

[73] Assignee: **International Business Machines Corporation**, Armonk, N.Y.

*Primary Examiner*—Wallace R. Burke  
*Assistant Examiner*—Freda S. Nunn  
*Attorney, Agent, or Firm*—Joscelyn G. Cockburn

[\*\*] Term: **14 Years**

### [57] CLAIM

[21] Appl. No.: **505,945**

The ornamental design for a display for computer, as shown and described.

[22] Filed: **Apr. 4, 1990**

### DESCRIPTION

### [30] Foreign Application Priority Data

- Oct. 5, 1989 [GB] United Kingdom ..... 2001488
- [52] U.S. Cl. .... **D14/113**
- [58] Field of Search ..... D14/100, 101, 105, 106, D14/113; D18/1, 7, 11, 12; 340/700, 706, 711, 712; 358/248, 249, 254, 255; 364/706-709.09

FIG. 1 is a reduced perspective view of a display for computer showing our new design; FIG. 2 is a front elevational view thereof; FIG. 3 is a rear elevational view thereof; FIG. 4 is a right-side elevational view thereof; FIG. 5 is a left-side elevational view thereof; FIG. 6 is a top plan view thereof; and, FIG. 7 is a bottom plan view thereof.

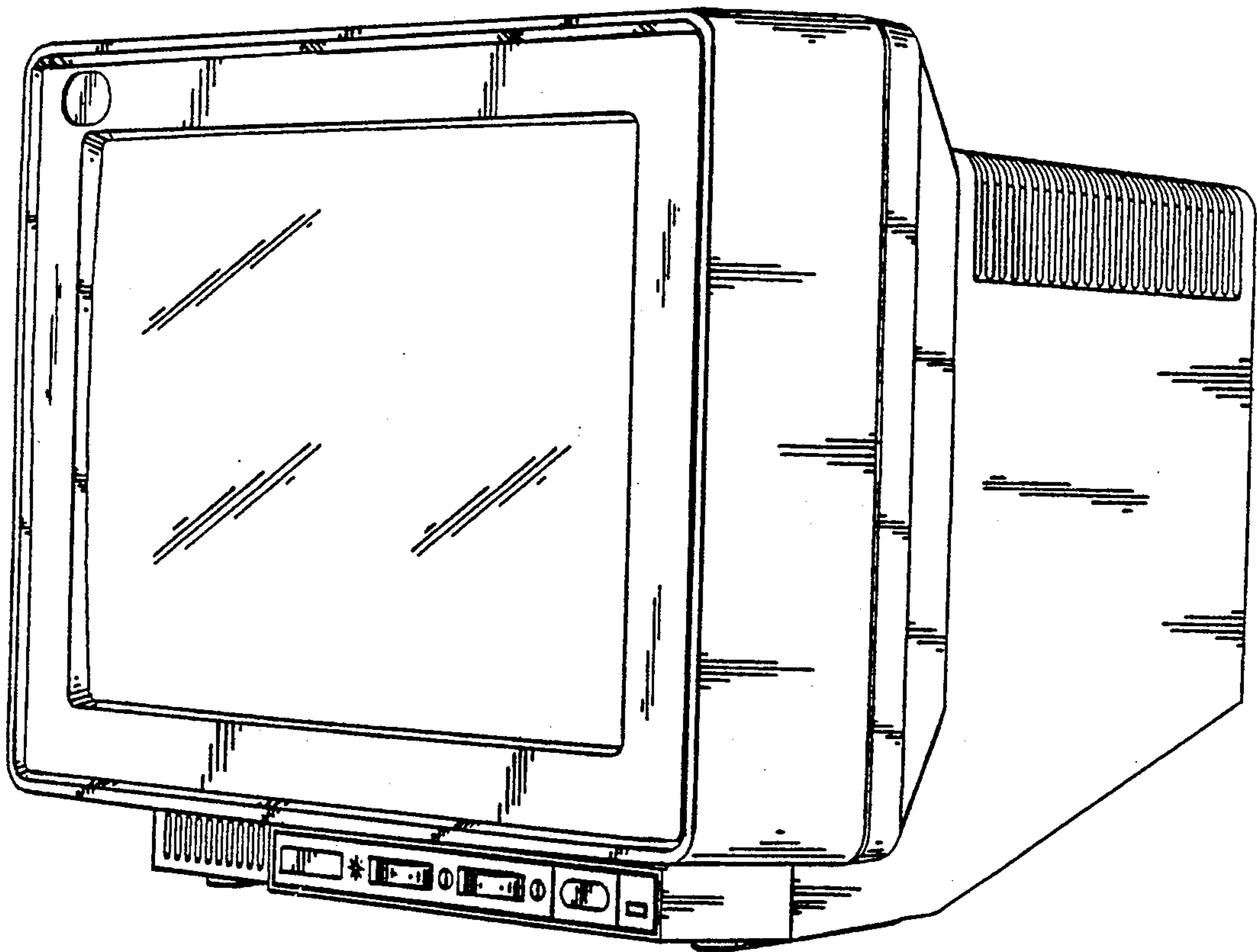


FIG. 1

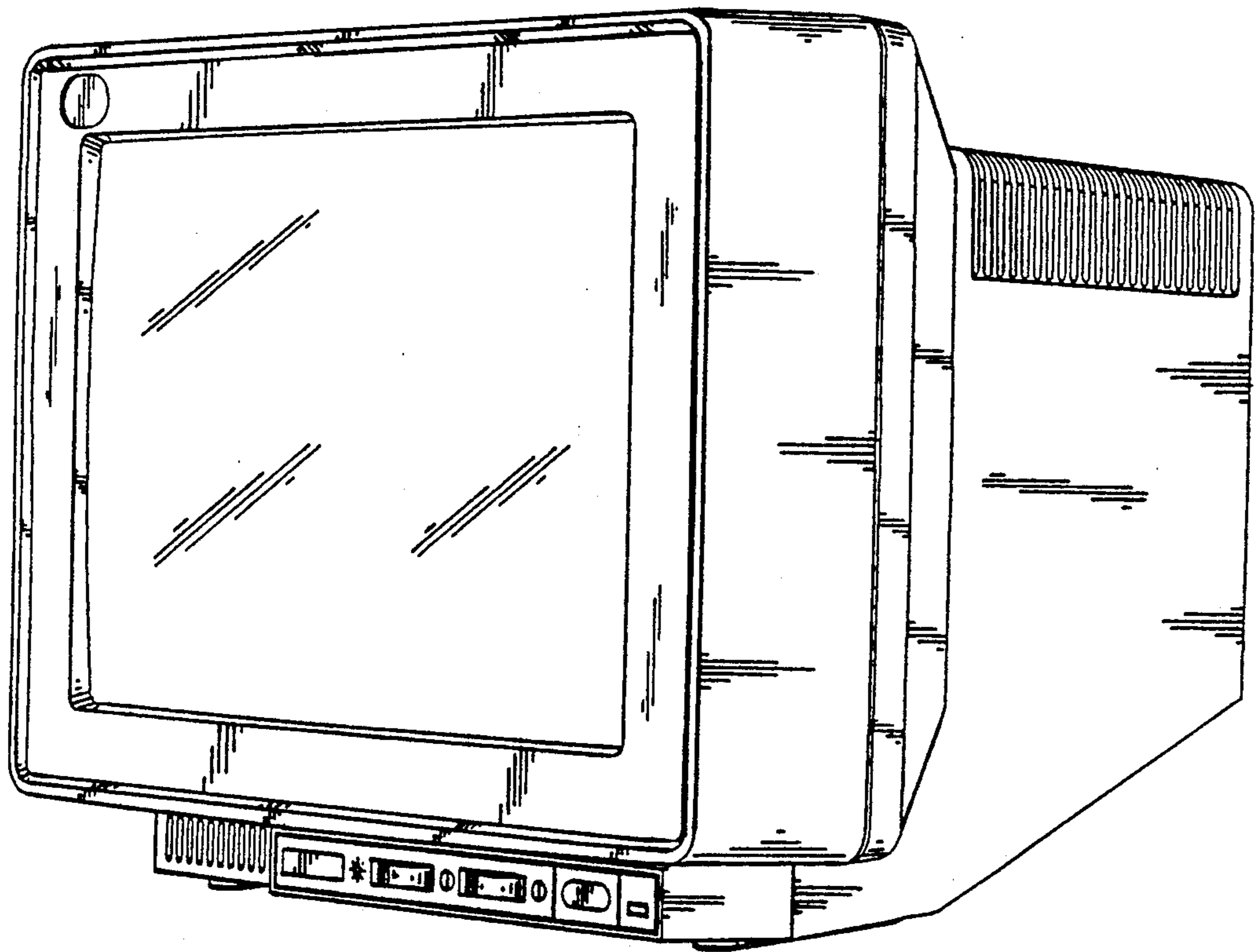


FIG. 2

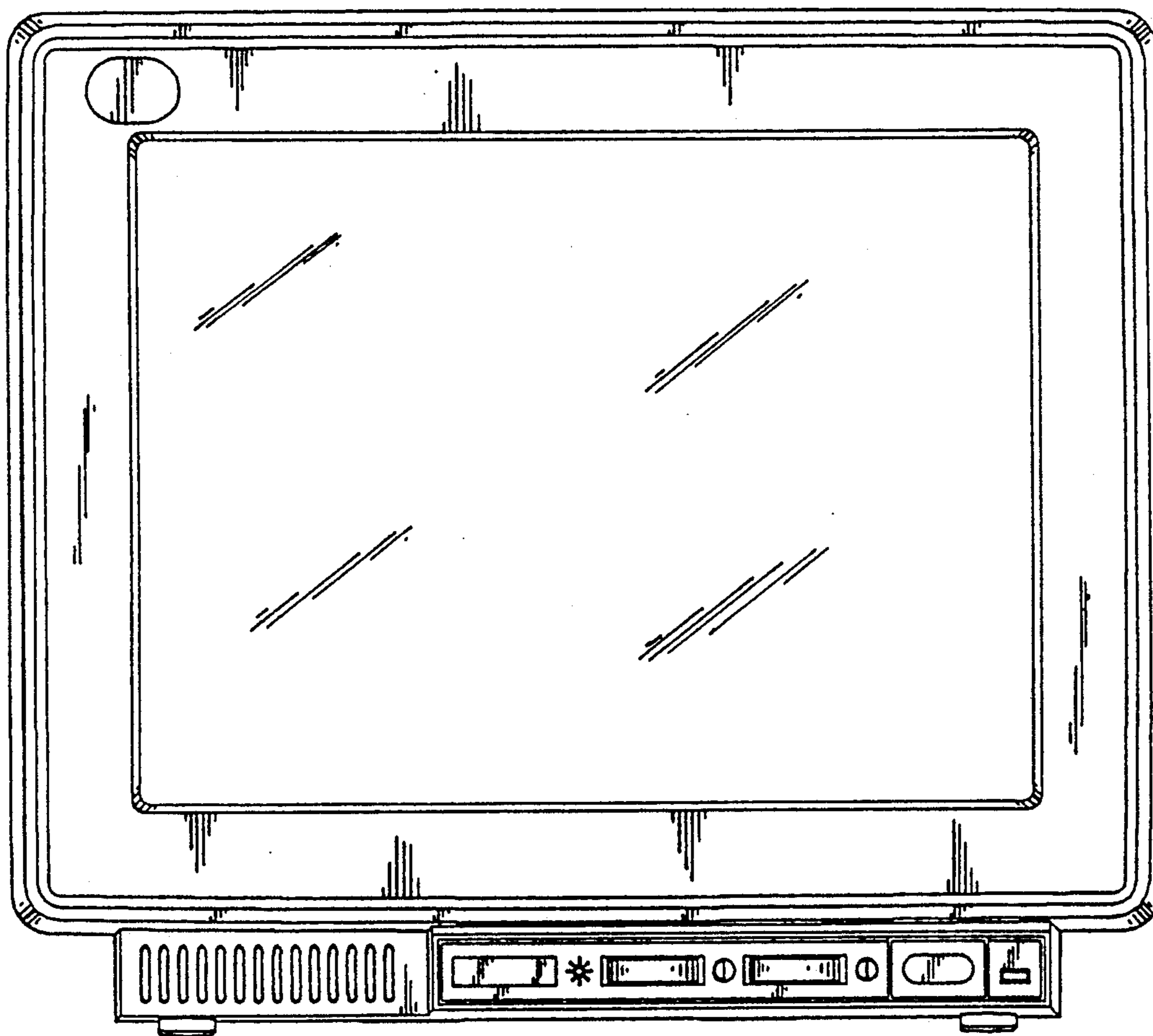


FIG. 3

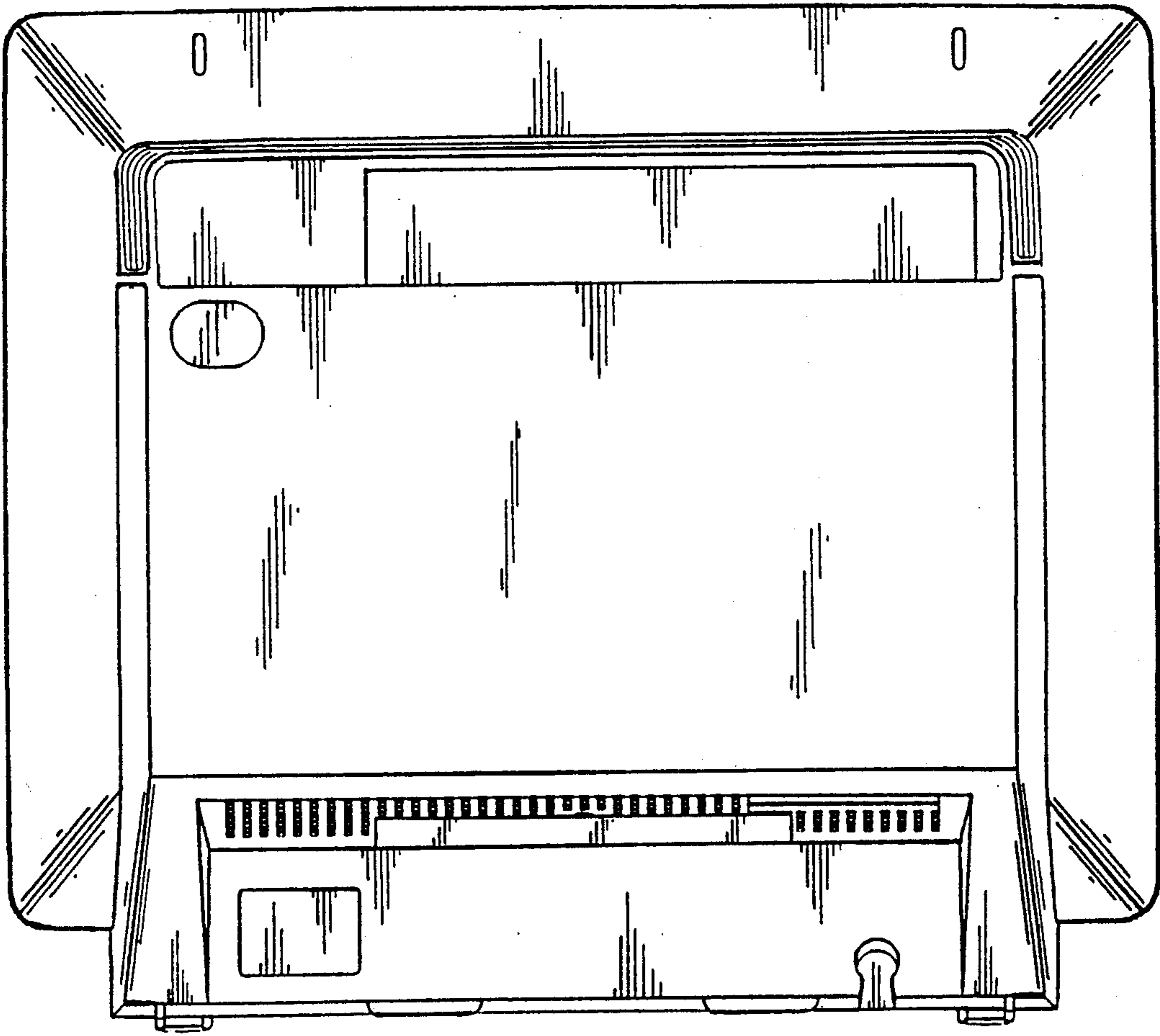


FIG. 4

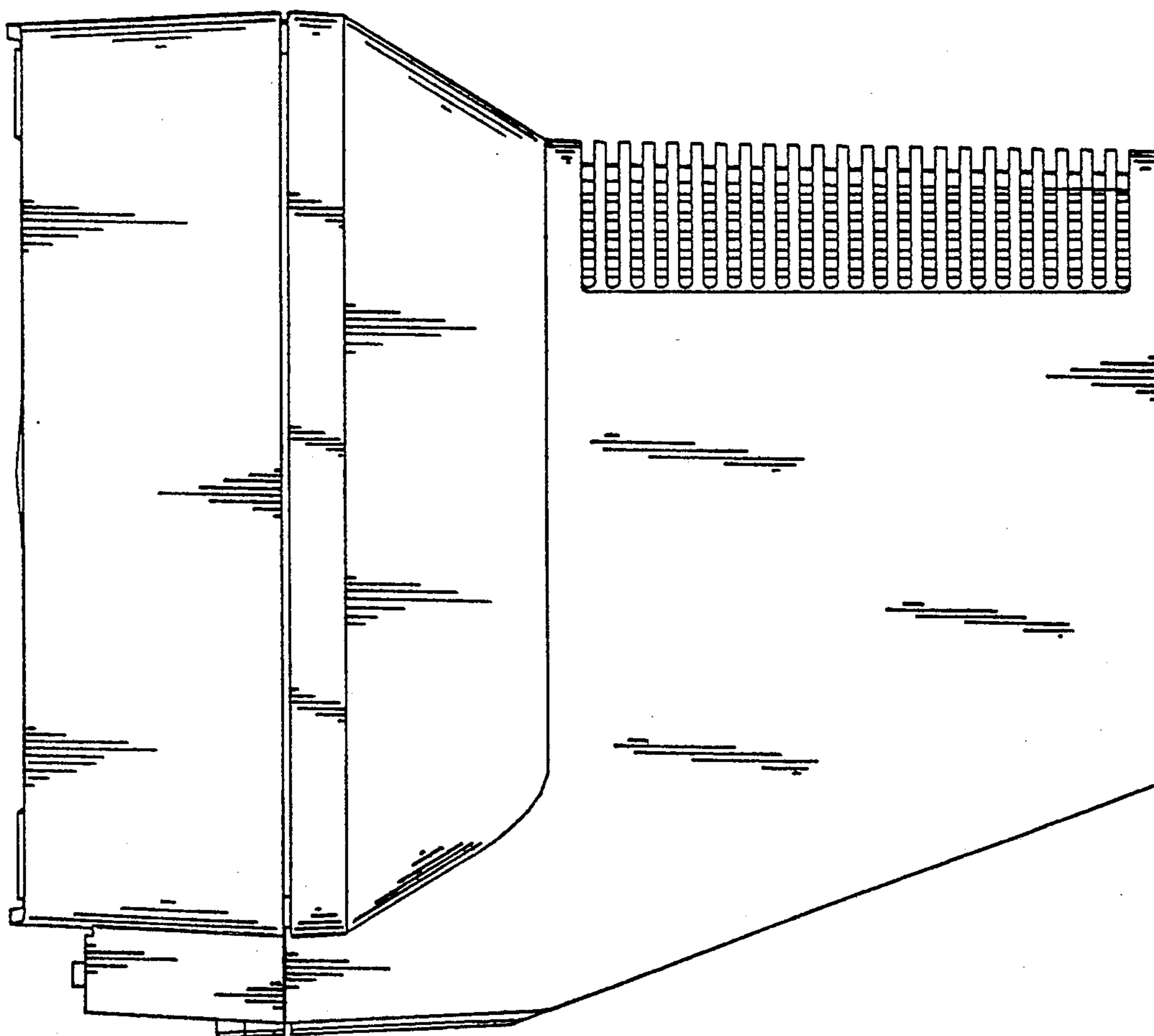


FIG. 5

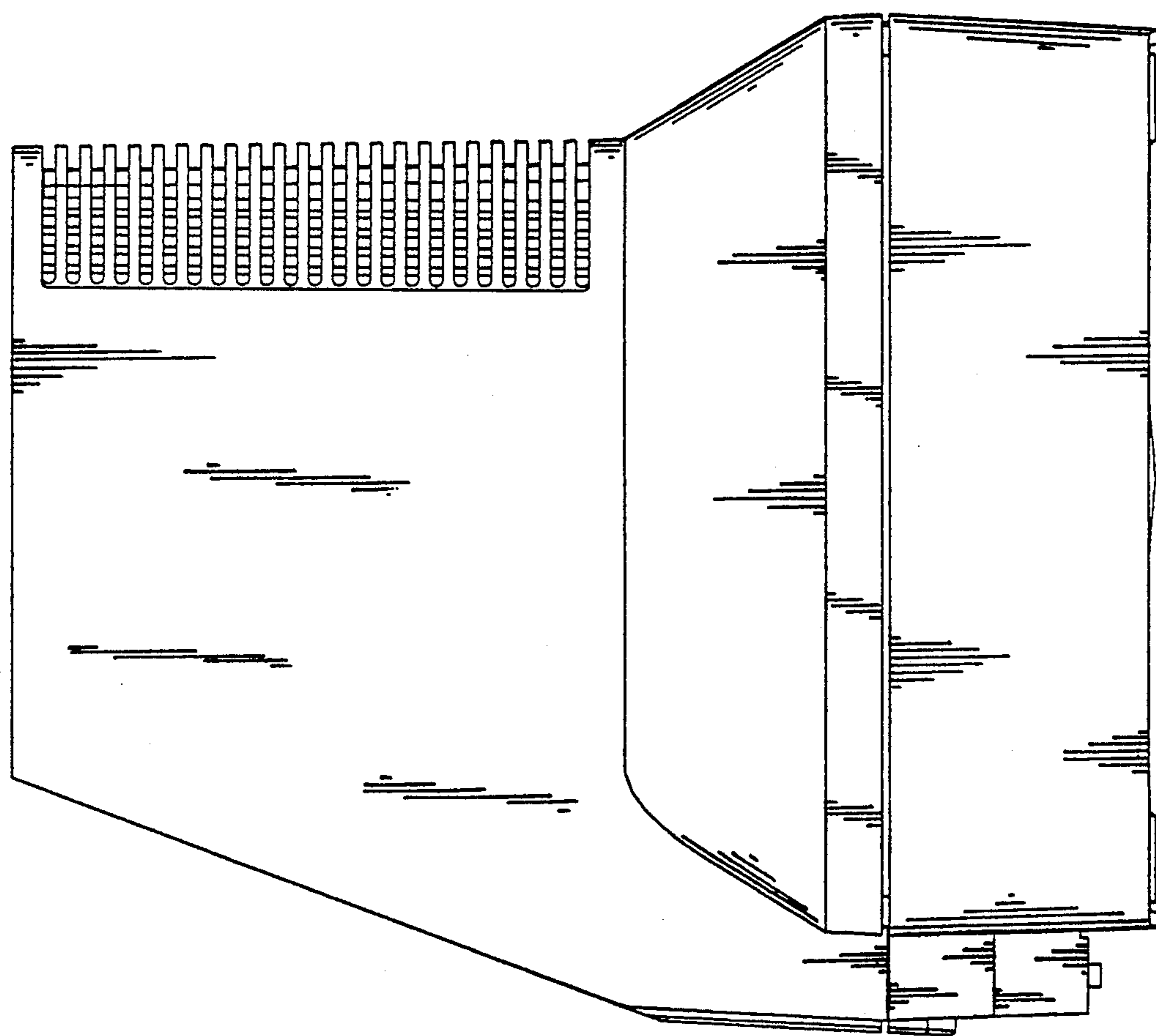


FIG. 6

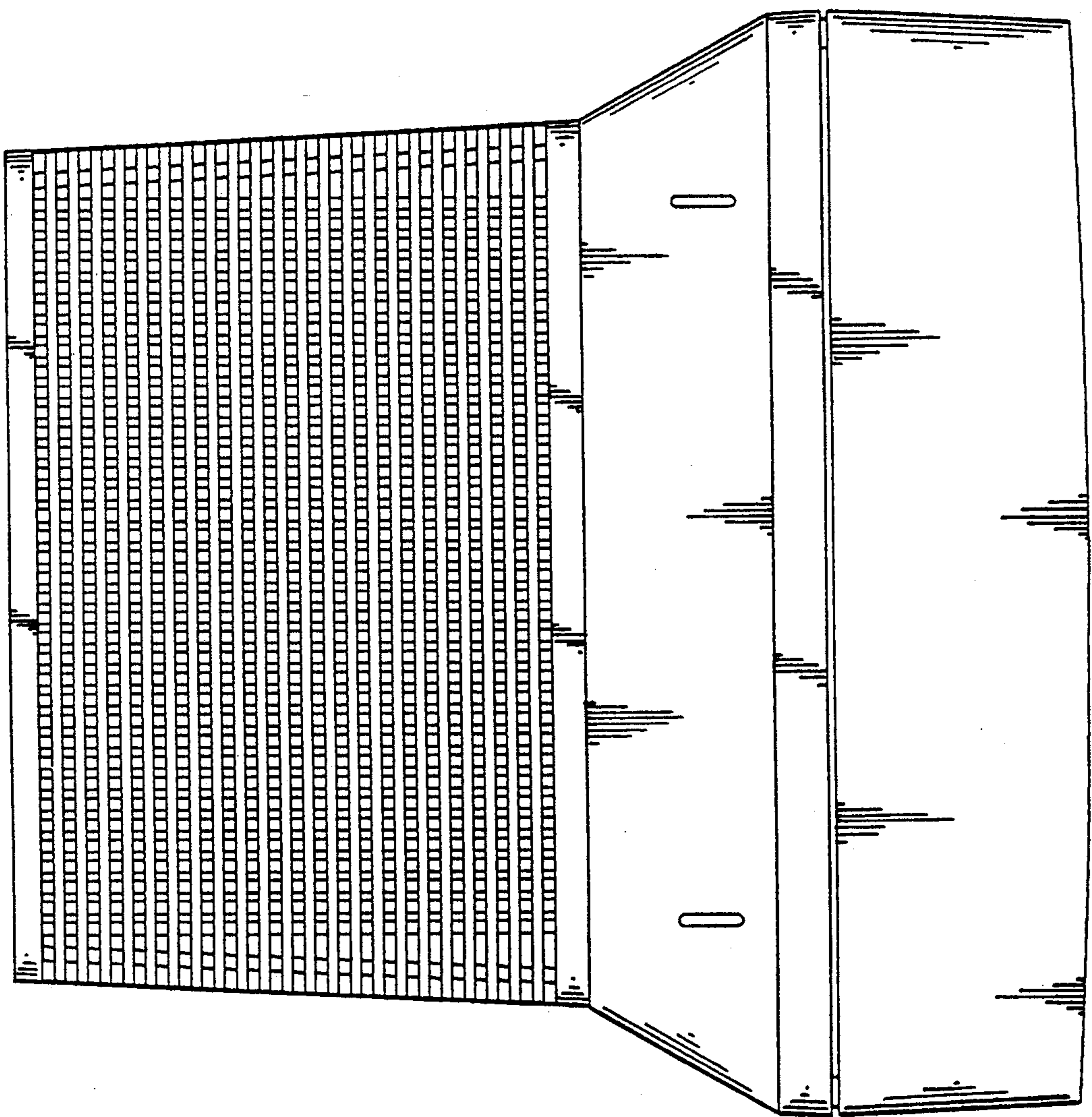


FIG. 7

