



US00D334740S

United States Patent [19]

[11] Patent Number: **Des. 334,740**

Krause et al.

[45] Date of Patent: **** Apr. 13, 1993**

[54] **PERSONAL LAPTOP COMPUTER**

[56] **References Cited**

[75] Inventors: **Klaus-Diether Krause, Diethenhofen; Florian Stolzenberger, Altenthann, both of Fed. Rep. of Germany**

U.S. PATENT DOCUMENTS

D. 303,250 9/1989 Ver Nooy et al. D14/106
D. 308,051 5/1990 Sakai D14/106
D. 311,741 10/1990 Sakai D14/106

[73] Assignee: **TA Triumph-Adler, Nuremberg, Fed. Rep. of Germany**

Primary Examiner—Wallace R. Burke
Assistant Examiner—Freda S. Nunn
Attorney, Agent, or Firm—Browdy and Neimark

[**] Term: **14 Years**

[57] CLAIM

The ornamental design for a personal laptop computer, as shown and described.

[21] Appl. No.: **682,117**

DESCRIPTION

[22] Filed: **Apr. 8, 1991**

FIG. 1 is a top front and left side perspective view of a personal laptop computer showing our new design in the closed position;

[30] **Foreign Application Priority Data**

Oct. 23, 1990 [WO] World Int. Prop. O. ... DM/017.910

[52] U.S. Cl. **D14/106**

FIG. 2 is a rear elevational view thereof;

FIG. 3 is a right side elevational view thereof;

FIG. 4 is a bottom plan view thereof;

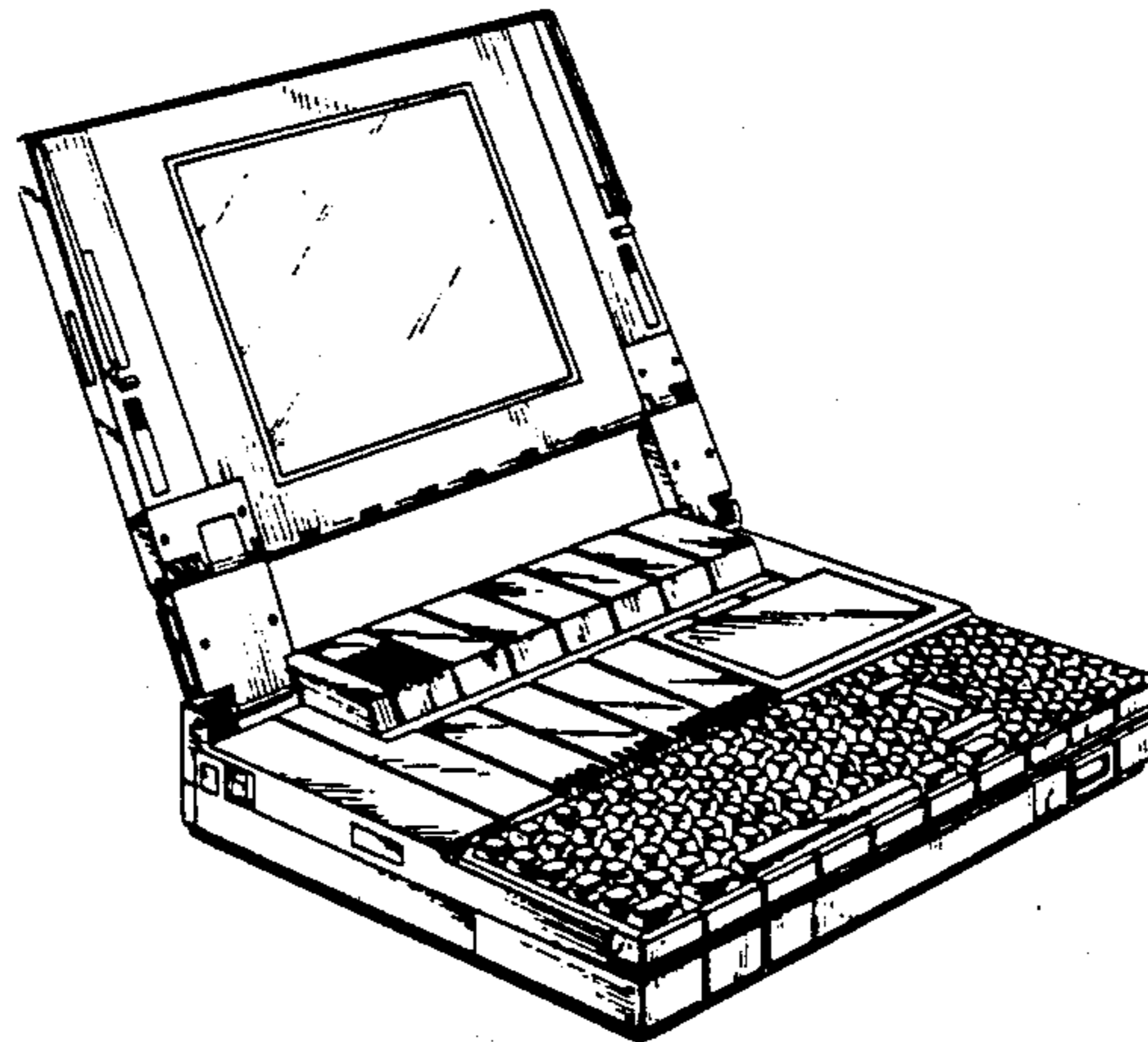
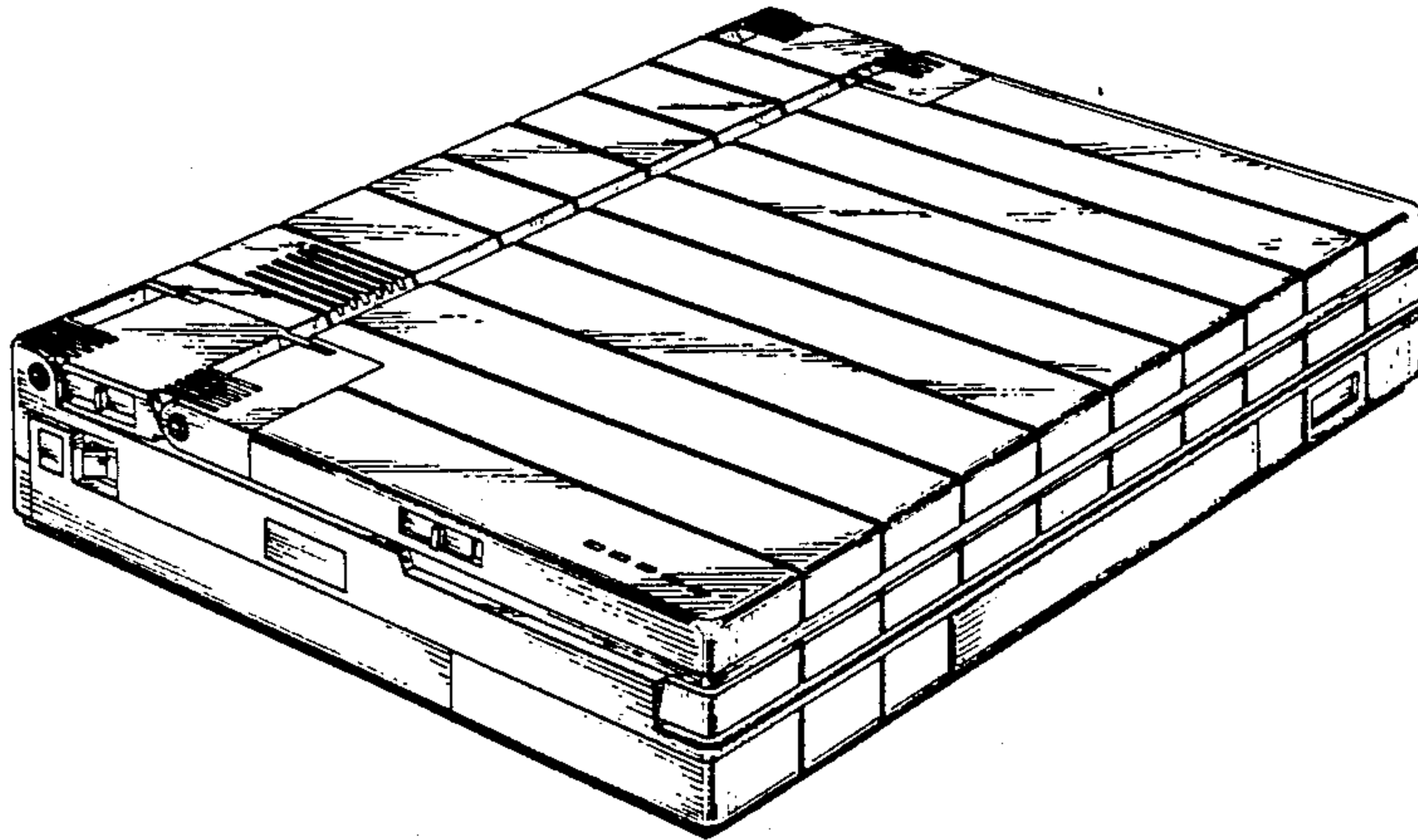
FIG. 5 is a right side elevational view thereof with the monitor opened and in an operational position;

FIG. 6 is a perspective view thereof; and,

FIG. 7 is a rear elevational view thereof.

FIGS. 4-7 are shown on a reduced scale.

[58] Field of Search D14/100, 101, 106, 113, D14/115; D18/1, 7, 11, 12; 235/145 A, 145 R; 340/700, 706; 341/22, 23; 361/390, 394; 364/708, 709.4



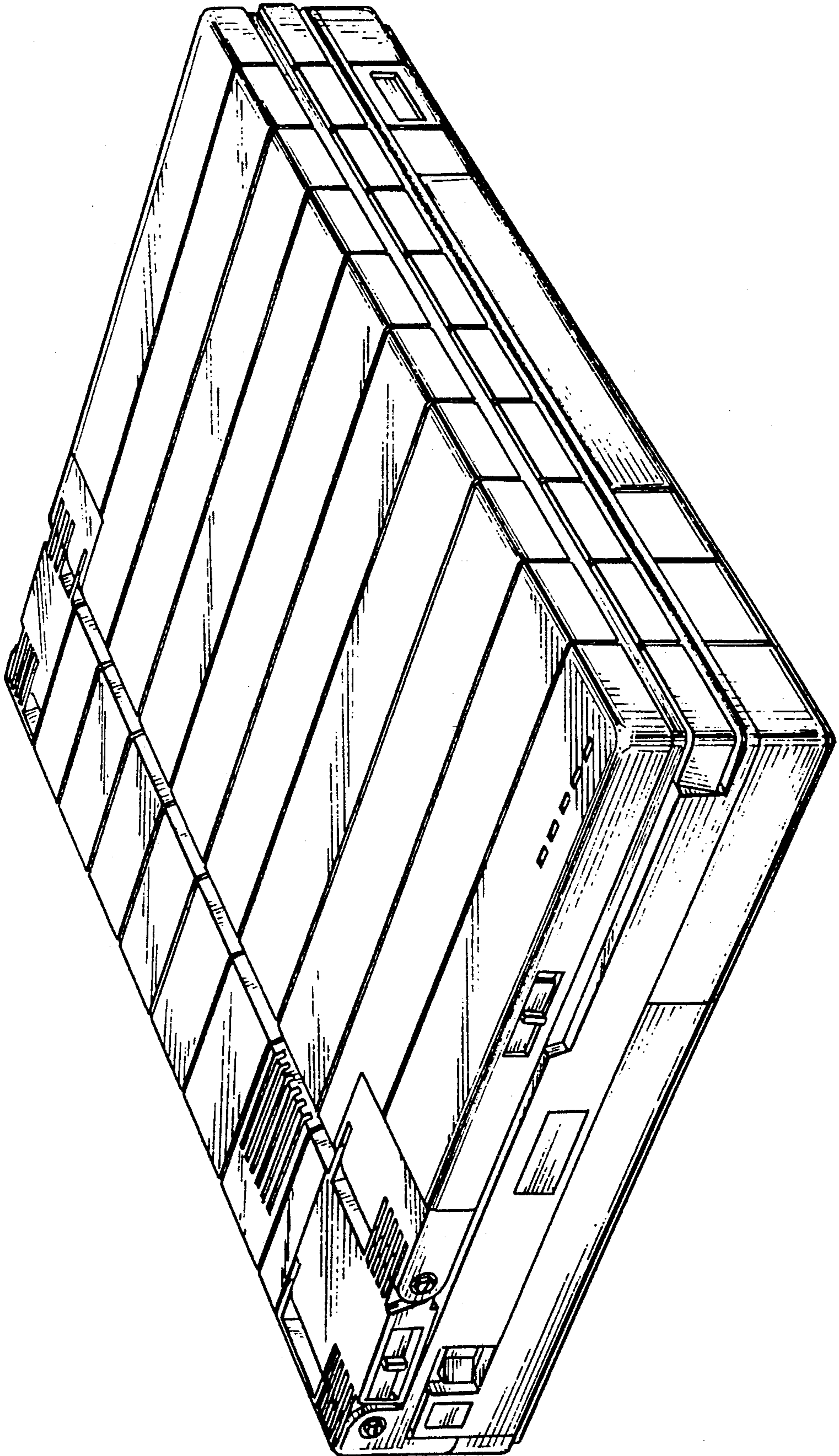


FIG. 1

FIG.2

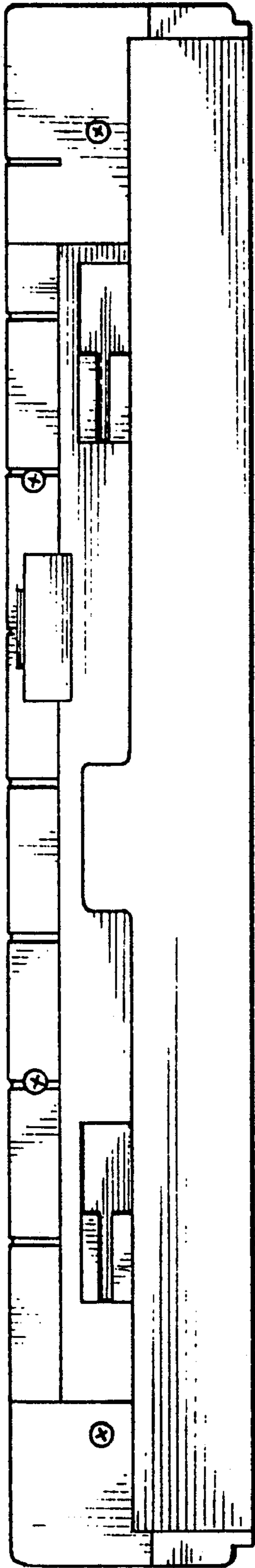


FIG.3

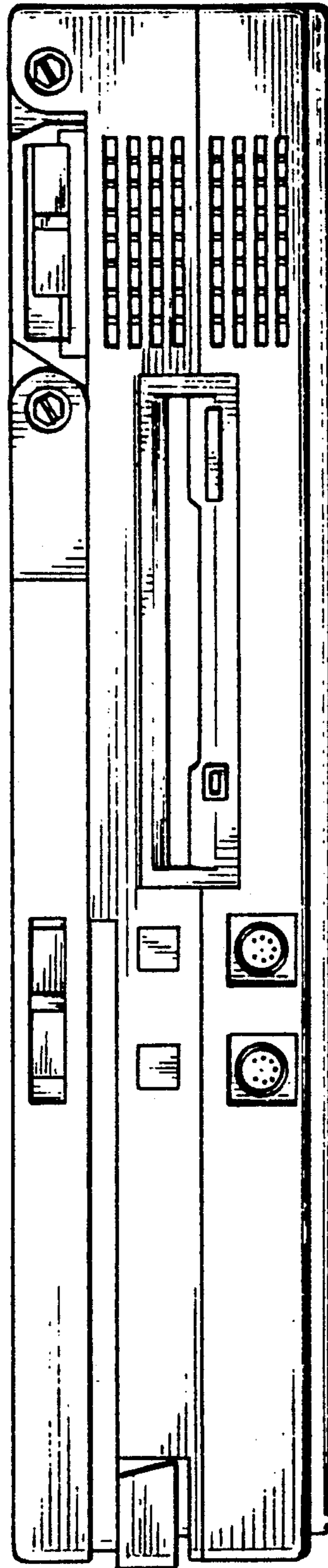


FIG. 4

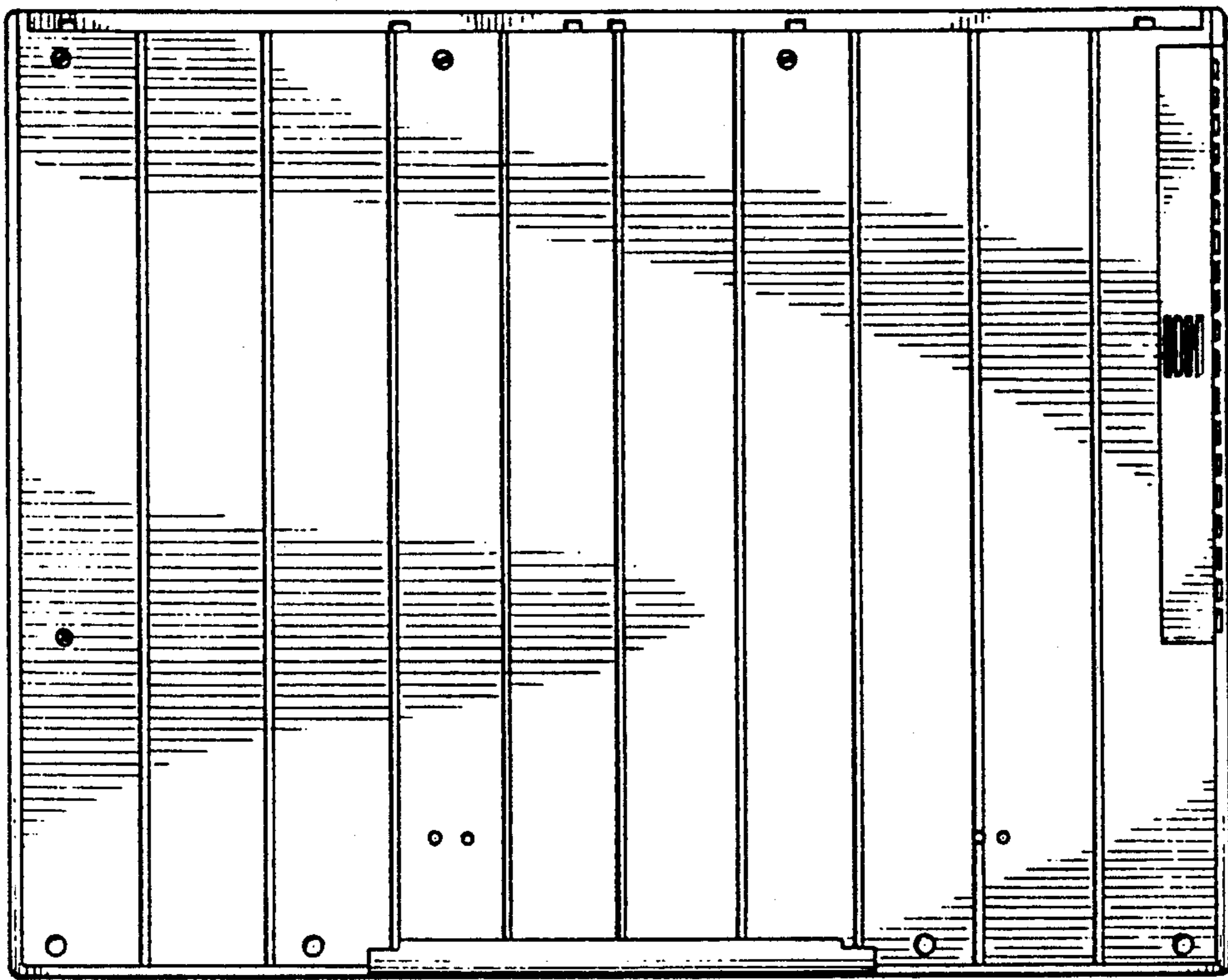


FIG. 7

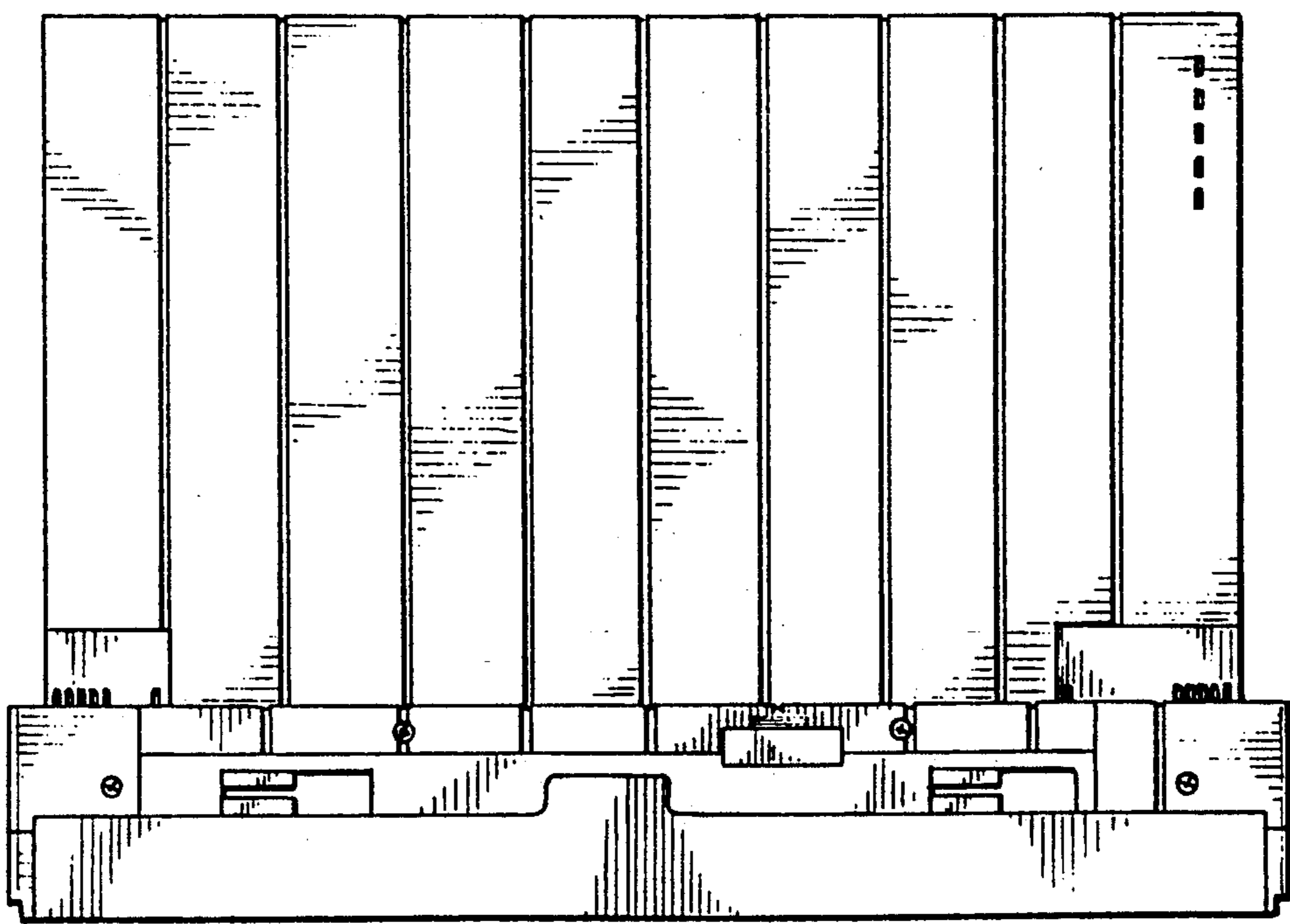


FIG. 5

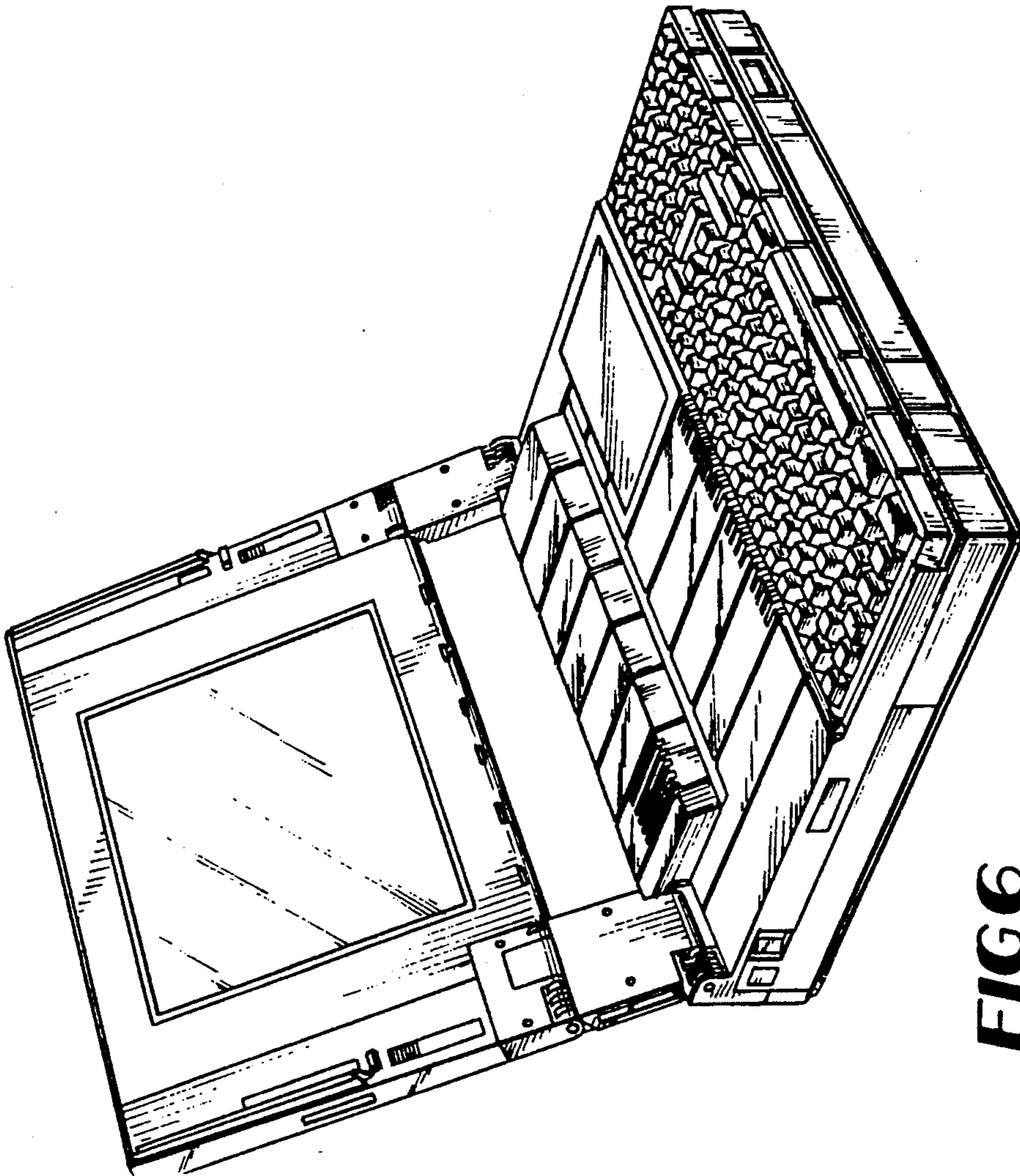
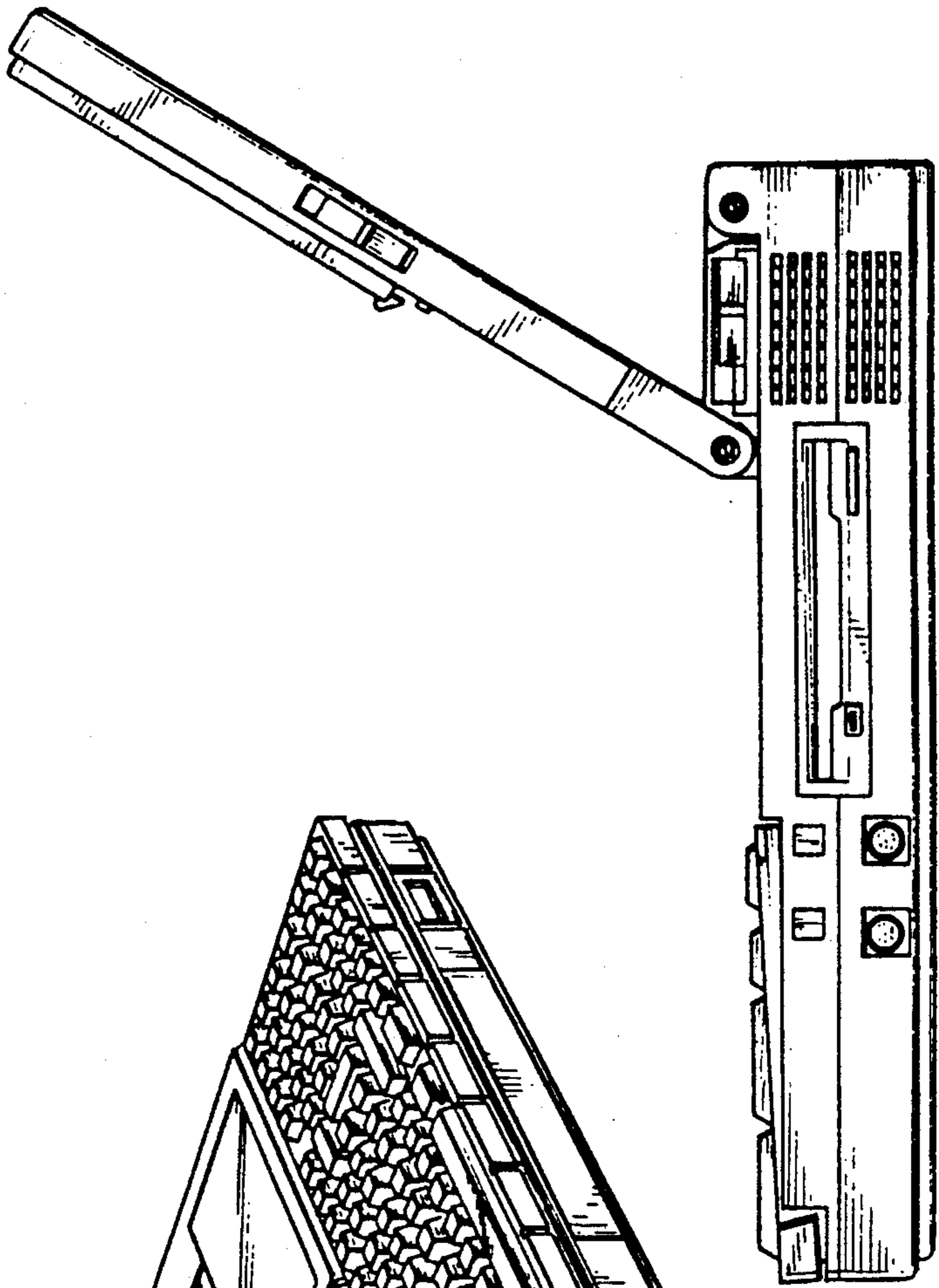


FIG. 6