



US00D334739S

# United States Patent [19]

[11] Patent Number: **Des. 334,739**

Tsai

[45] Date of Patent: **\*\* Apr. 13, 1993**

[54] **NOTEBOOK COMPUTER**

D. 317,442 6/1991 Gintz et al. .... D14/106  
D. 319,817 9/1991 Lin ..... D14/106  
4,918,632 4/1990 York ..... D14/106 X

[75] Inventor: **Chang-Ting Tsai, Nantou Hsien, Taiwan**

*Primary Examiner*—Wallace R. Burke  
*Assistant Examiner*—Freda S. Nunn  
*Attorney, Agent, or Firm*—Finnegan, Henderson, Farabow, Garrett & Dunner

[73] Assignee: **Universal Scientific Industrial Co., Ltd., Taiwan**

[\*\*] Term: **14 Years**

[57] **CLAIM**

[21] Appl. No.: **659,139**

The ornamental design for a notebook computer, as shown and described.

[22] Filed: **Feb. 22, 1991**

[52] U.S. Cl. .... **D14/106**

**DESCRIPTION**

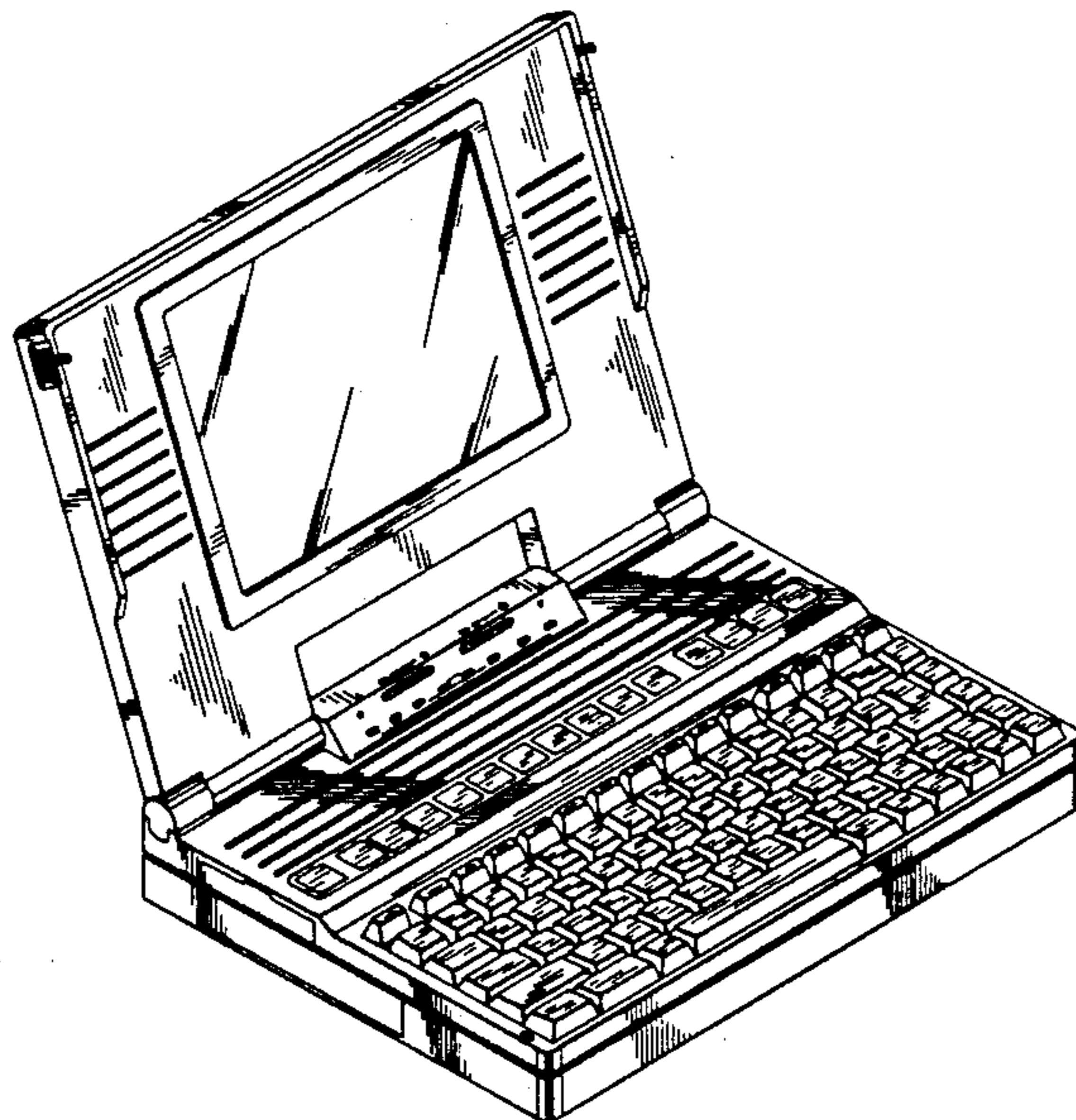
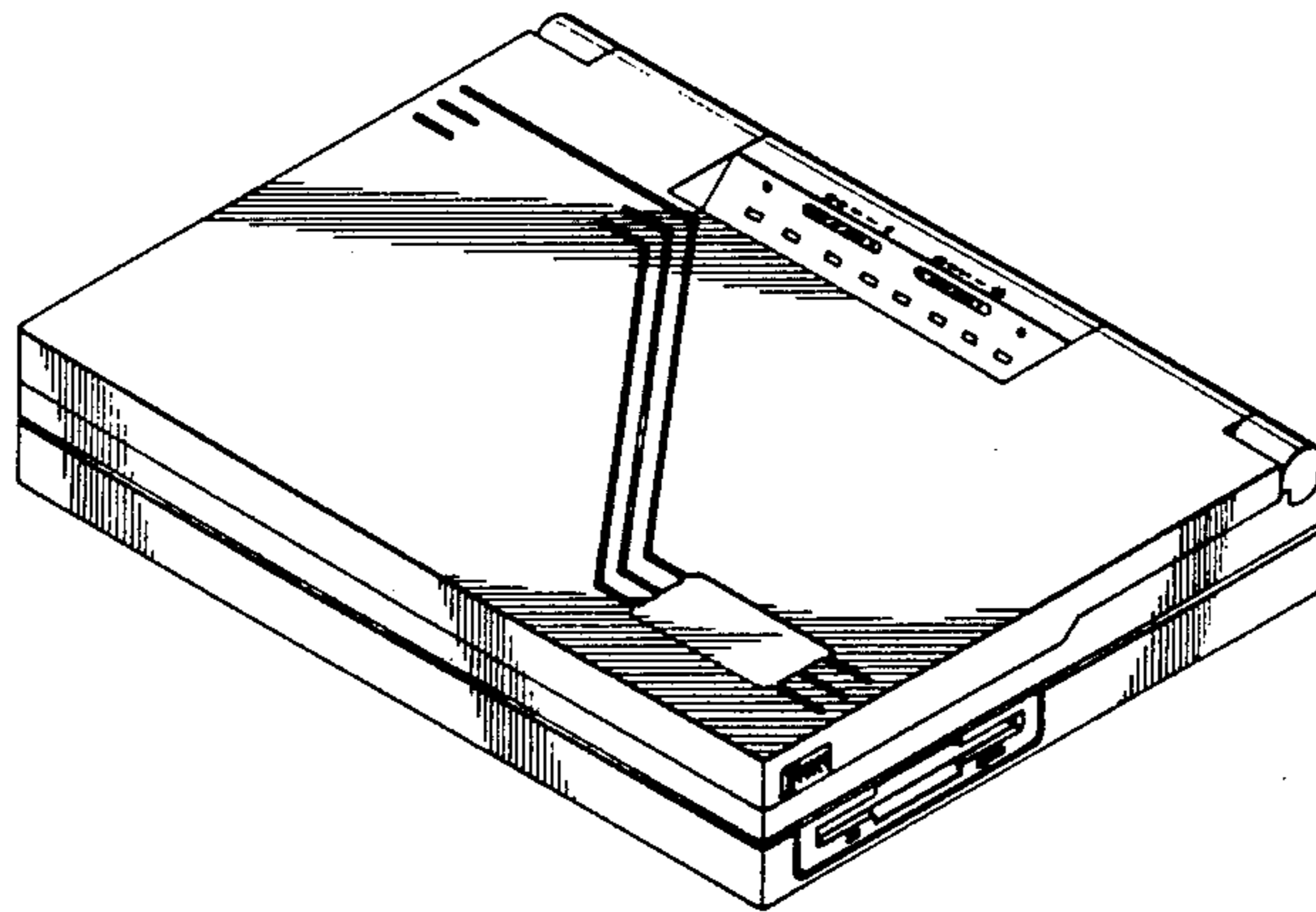
[58] Field of Search ..... D14/100, 101, 106, 113, D14/115; D18/1, 7, 11, 12; 235/145 A, 145 R; 340/700, 706; 341/22, 23; 361/390, 394; 364/708, 709.04

FIG. 1 is a perspective view of a notebook computer showing my new design;  
FIG. 2 is a top plan view thereof;  
FIG. 3 is a bottom plan view thereof;  
FIG. 4 is a left side elevational view thereof;  
FIG. 5 is a right side elevational view thereof;  
FIG. 6 is a rear elevational view thereof;  
FIG. 7 is a front elevational view thereof; and,  
FIG. 8 is a perspective view thereof in an operable position.

[56] **References Cited**

**U.S. PATENT DOCUMENTS**

D. 290,845 7/1987 Yubisui et al. .... D14/100 X  
D. 308,861 6/1990 Tsukada et al. .... D14/106  
D. 312,822 12/1990 Watabe et al. .... D14/106



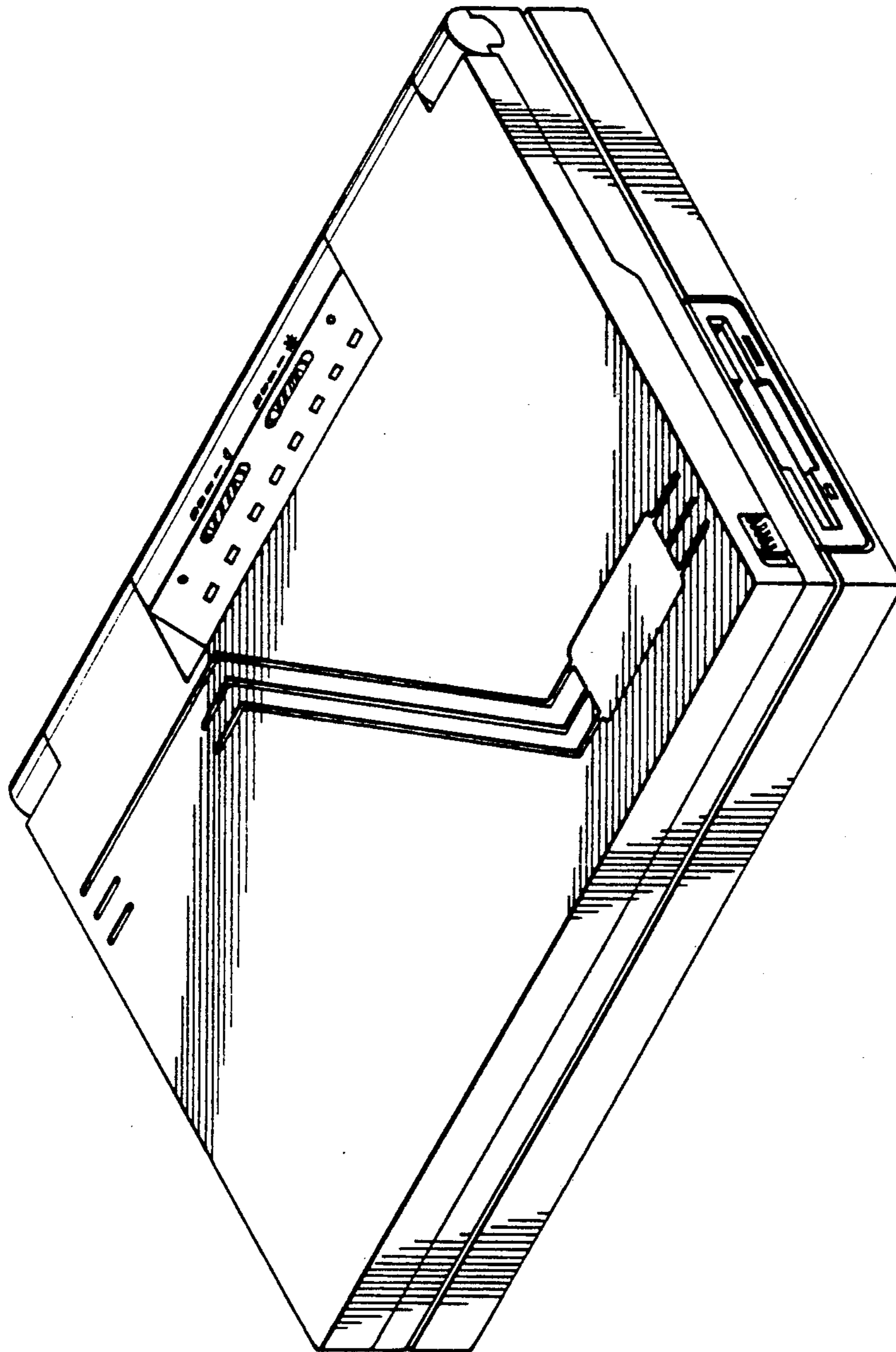


FIG. 1

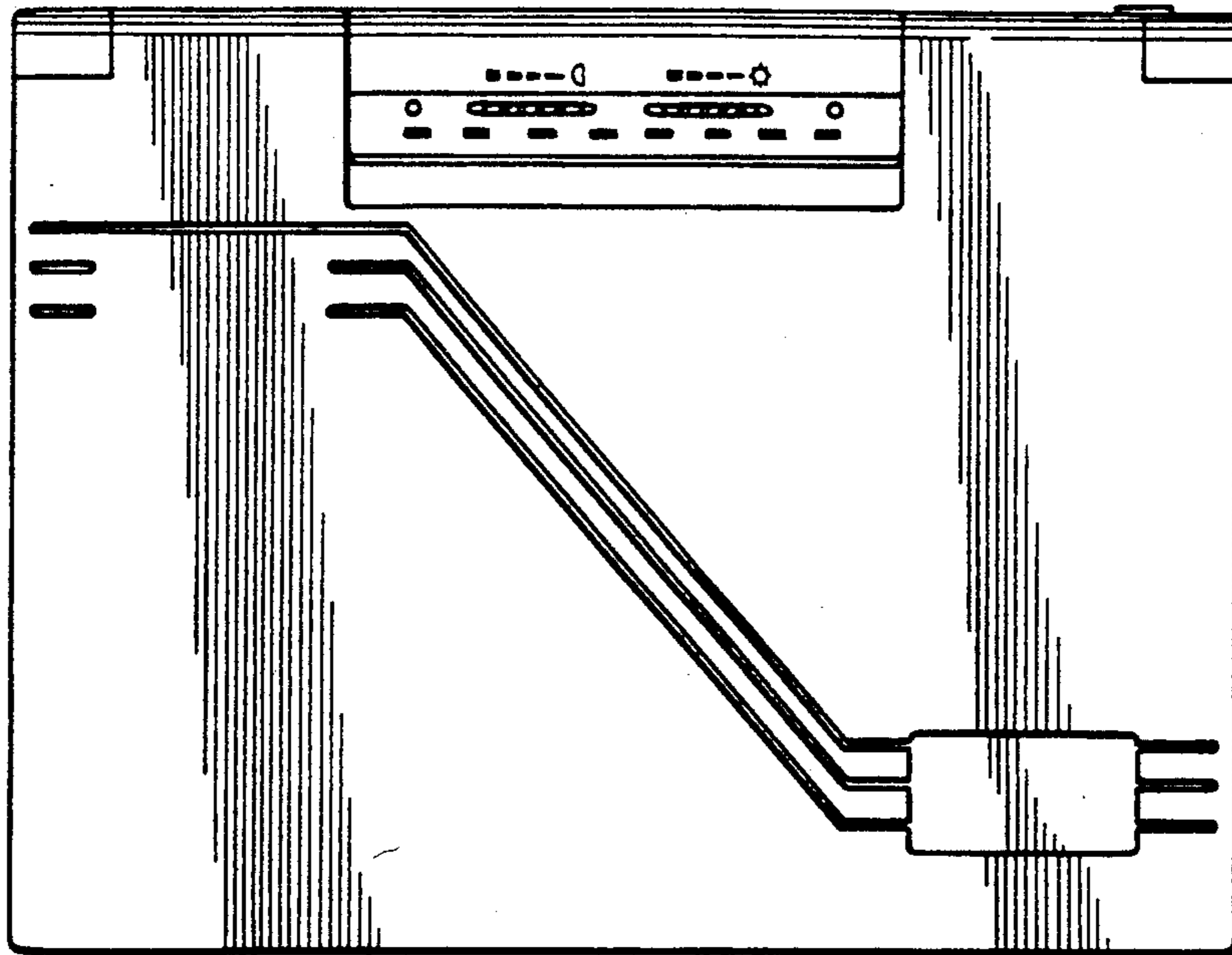


FIG. 2

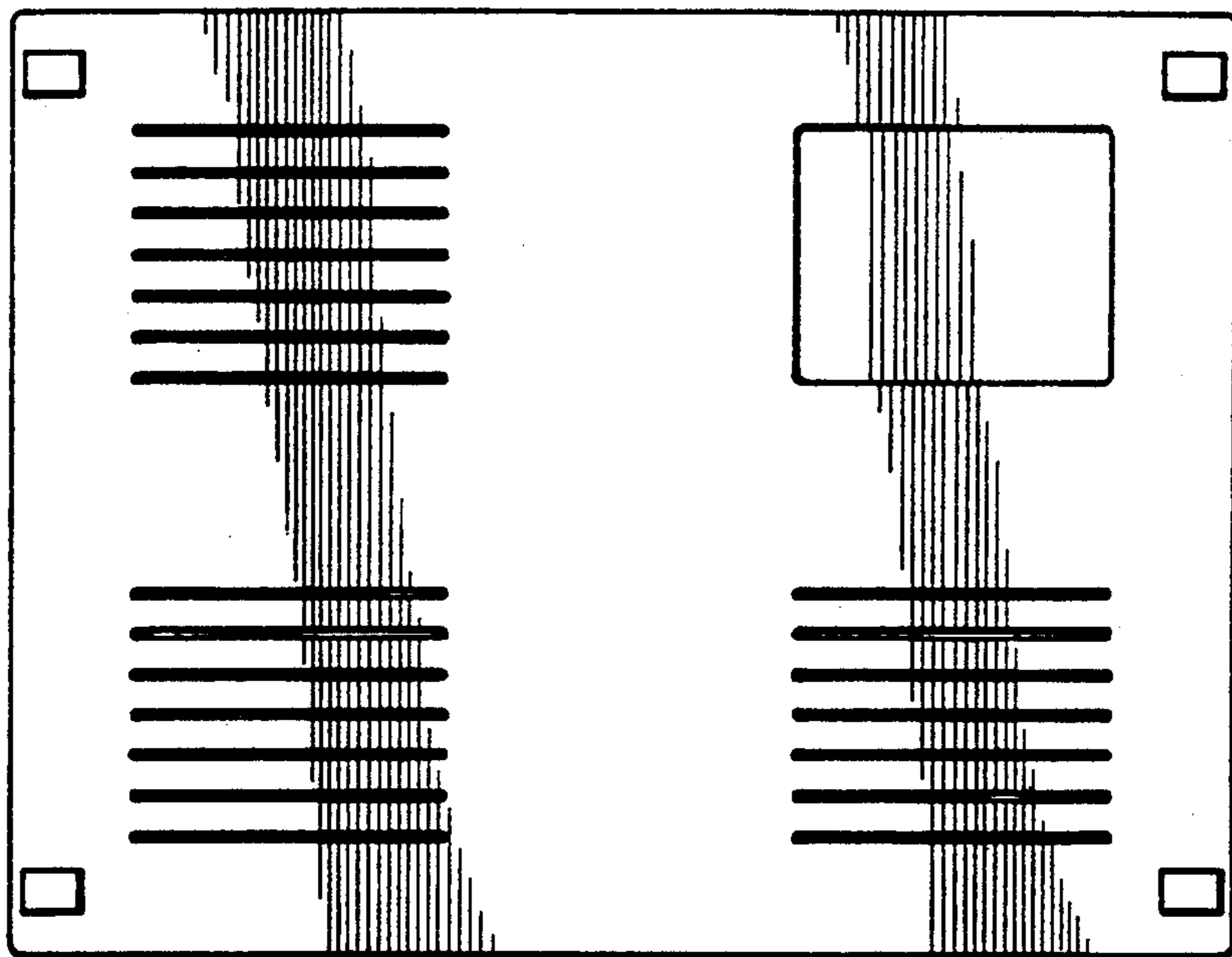


FIG. 3

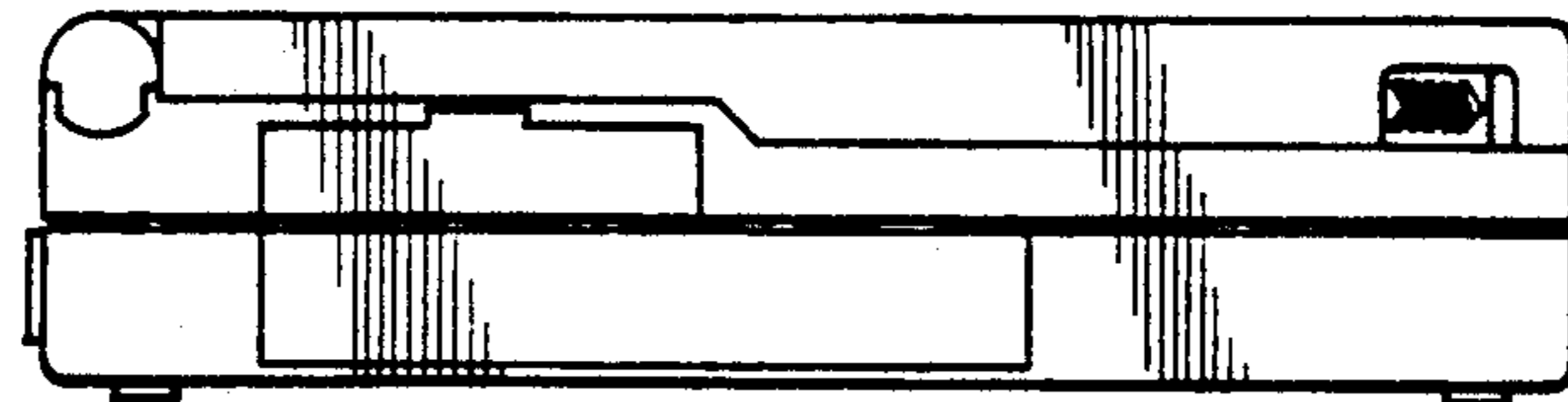


FIG. 4

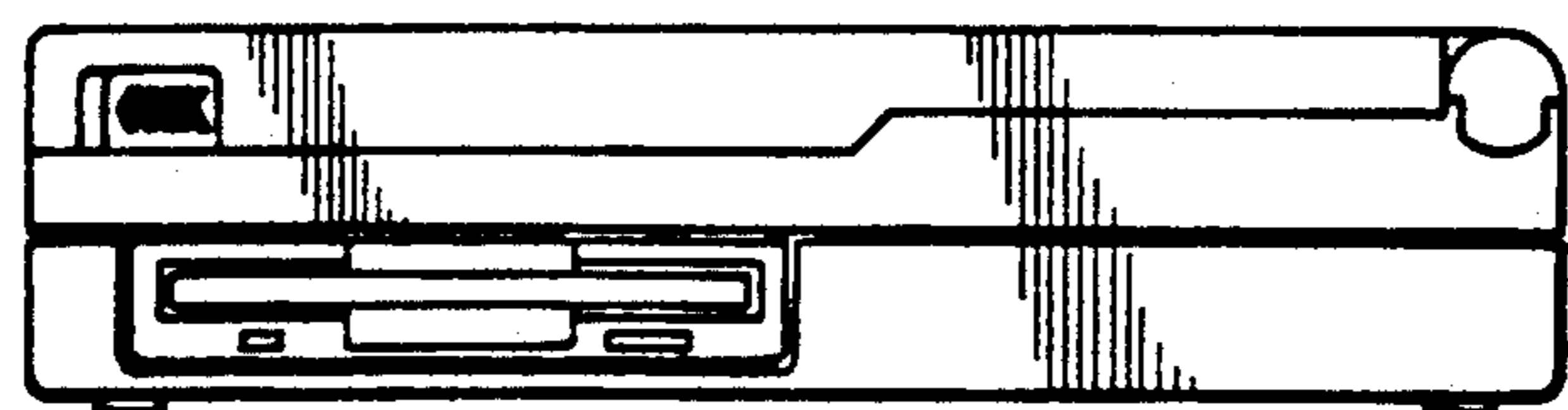


FIG. 5

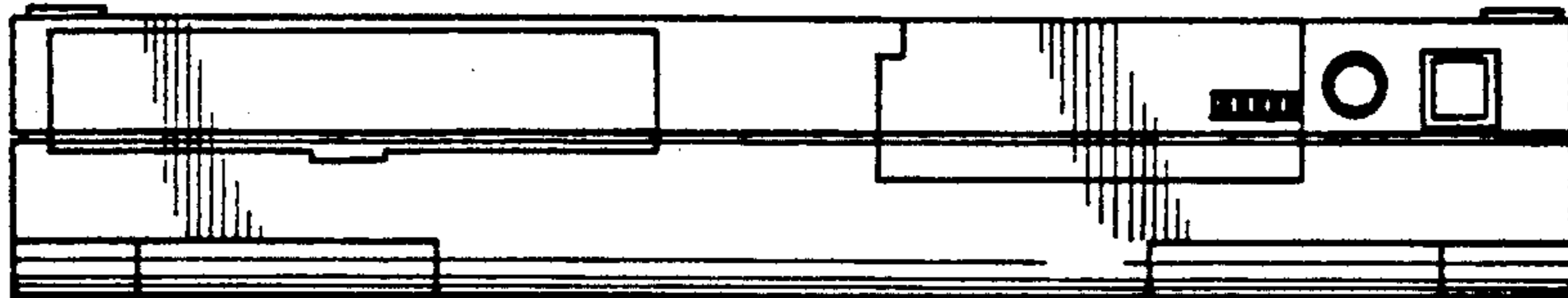


FIG. 6

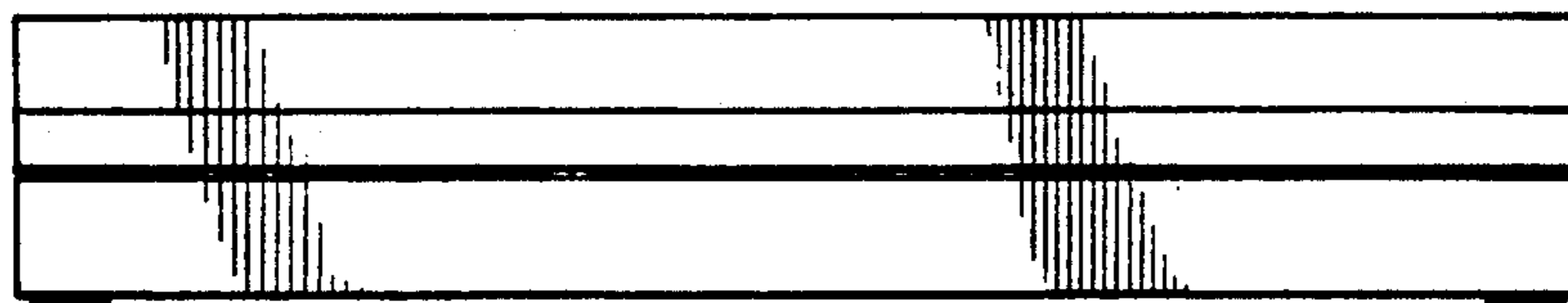


FIG. 7

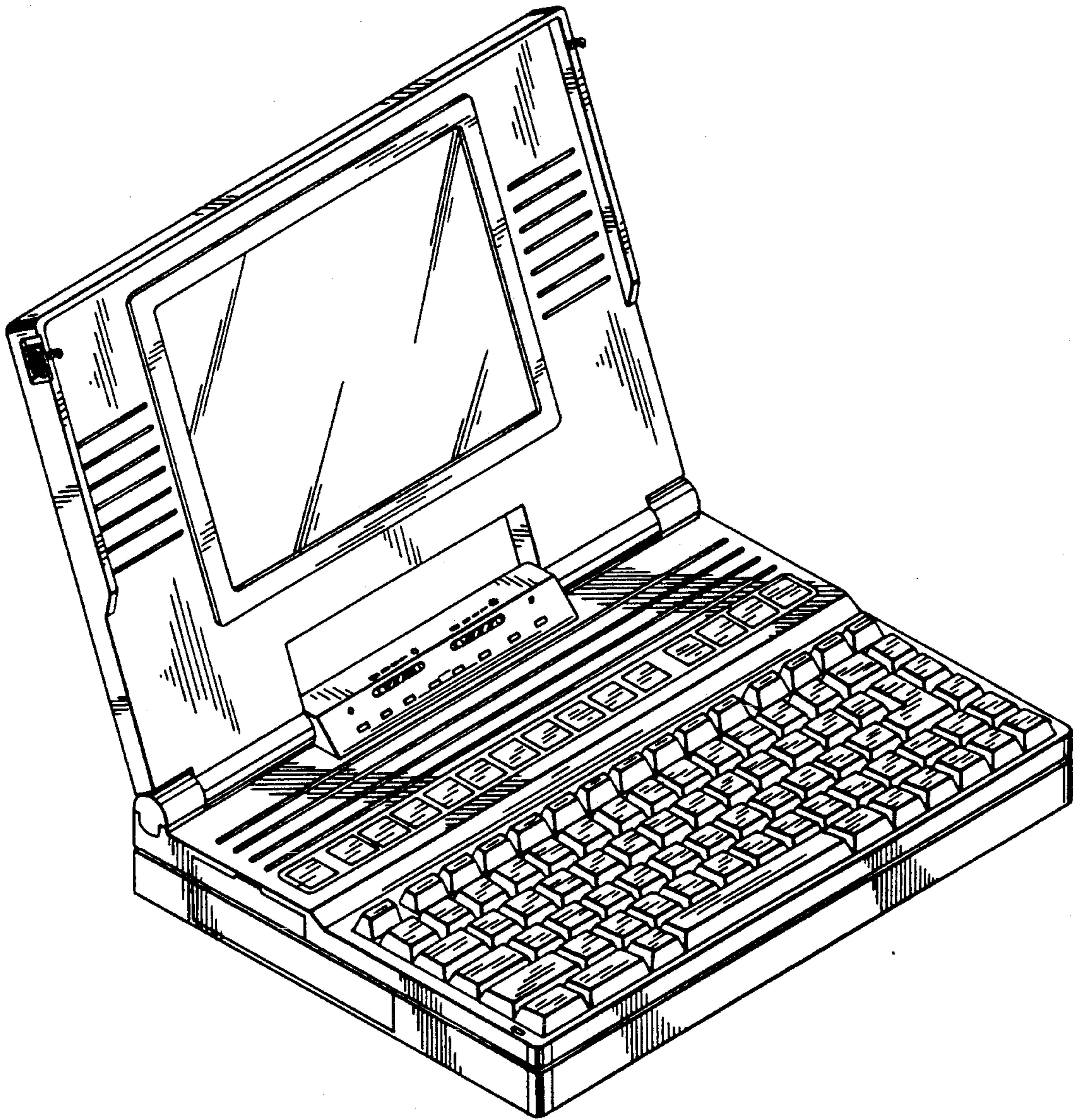


FIG. 8