



US00D334725S

United States Patent [19]
White

[11] **Patent Number: Des. 334,725**

[45] **Date of Patent: ** Apr. 13, 1993**

[54] **CROSS**

[76] **Inventor: Lindsey White, 32 Shetland La.,
Willingboro, N.J. 08046**

[**] **Term: 14 Years**

[21] **Appl. No.: 653,117**

[22] **Filed: Feb. 11, 1991**

[52] **U.S. Cl. D11/96; D11/81;
D11/99**

[58] **Field of Search D11/1-5,
D11/81, 26-37, 99, 83, 200, 96, 79, 110;
63/1.1-3, 15-15.8, 26-30**

[56]

References Cited

U.S. PATENT DOCUMENTS

D. 74,049 12/1927 Dolloff D11/110
D. 107,655 12/1937 Stedman D11/96
D. 115,265 6/1939 Itton D11/96
D. 115,719 7/1939 Miller et al. D11/200

Primary Examiner—Louis S. Zarfes

Assistant Examiner—R. Seifert

Attorney, Agent, or Firm—Abdallah & Muckelroy

[57]

CLAIM

The ornamental design for a cross, as shown.

DESCRIPTION

FIG. 1 is a front perspective view of a cross showing my new design;

FIG. 2 is a rear elevational view;

FIG. 3 is a top plan view;

FIG. 4 is a side elevational view; and,

FIG. 5 is a bottom plan view.

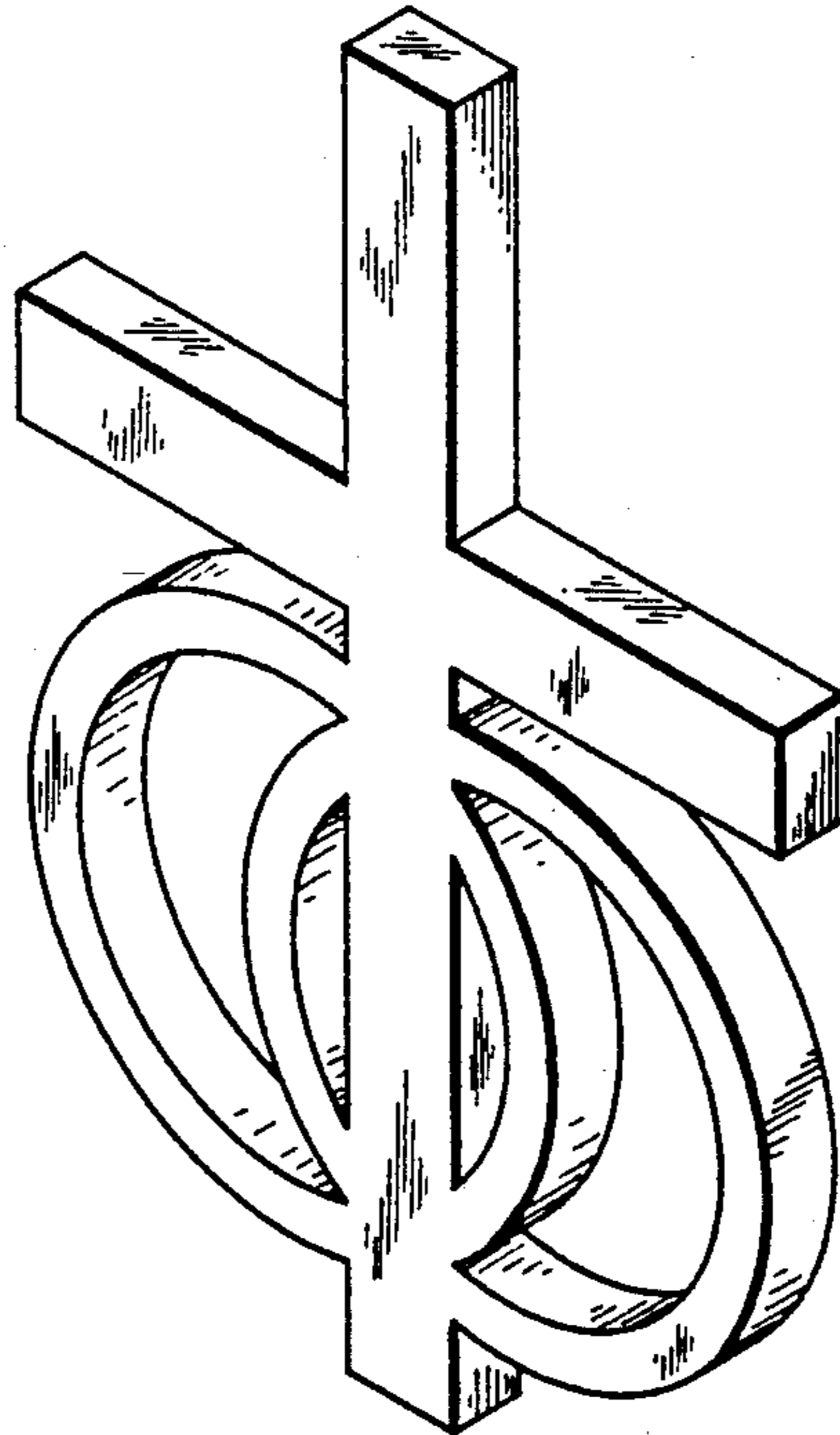


FIG. 1

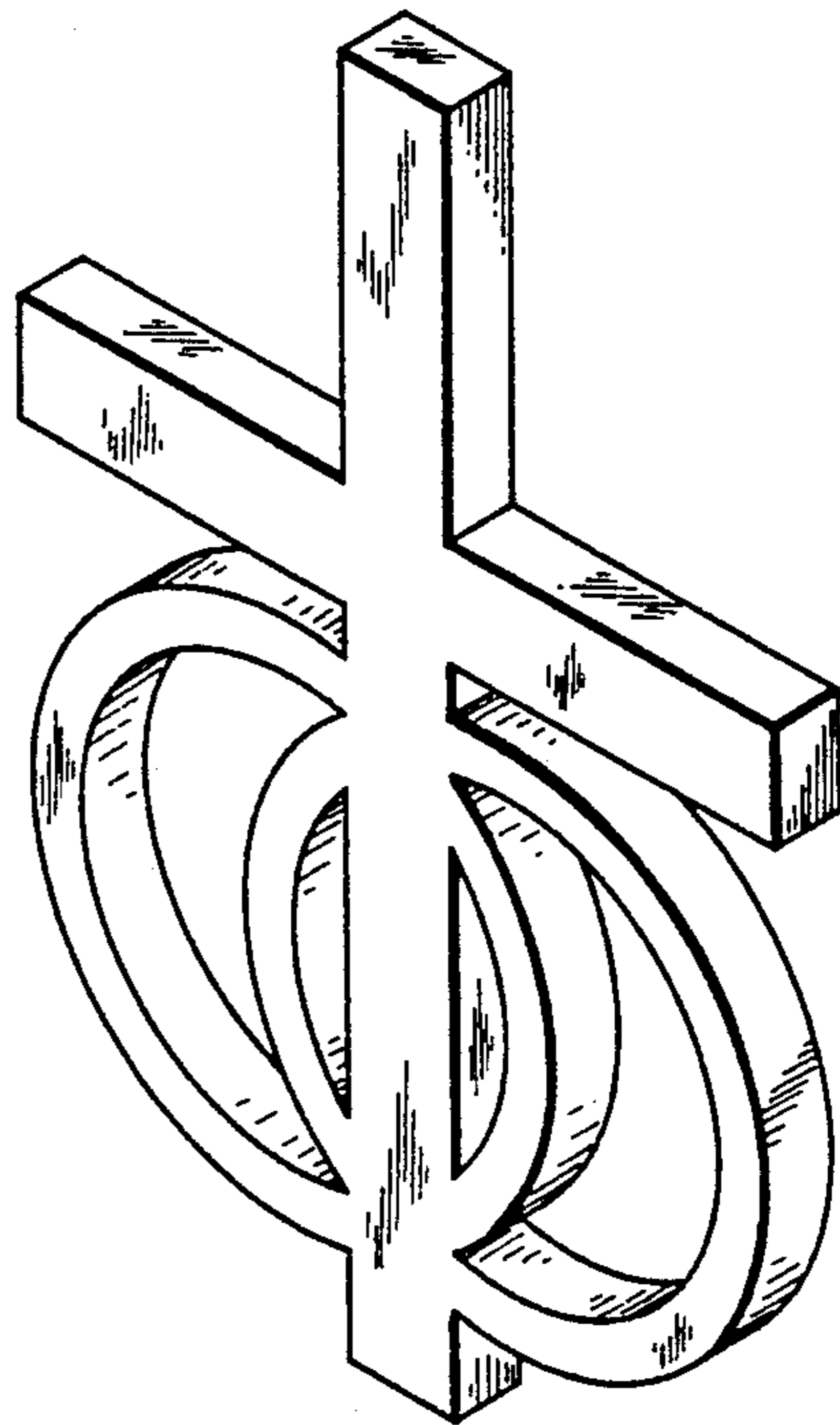


FIG. 2

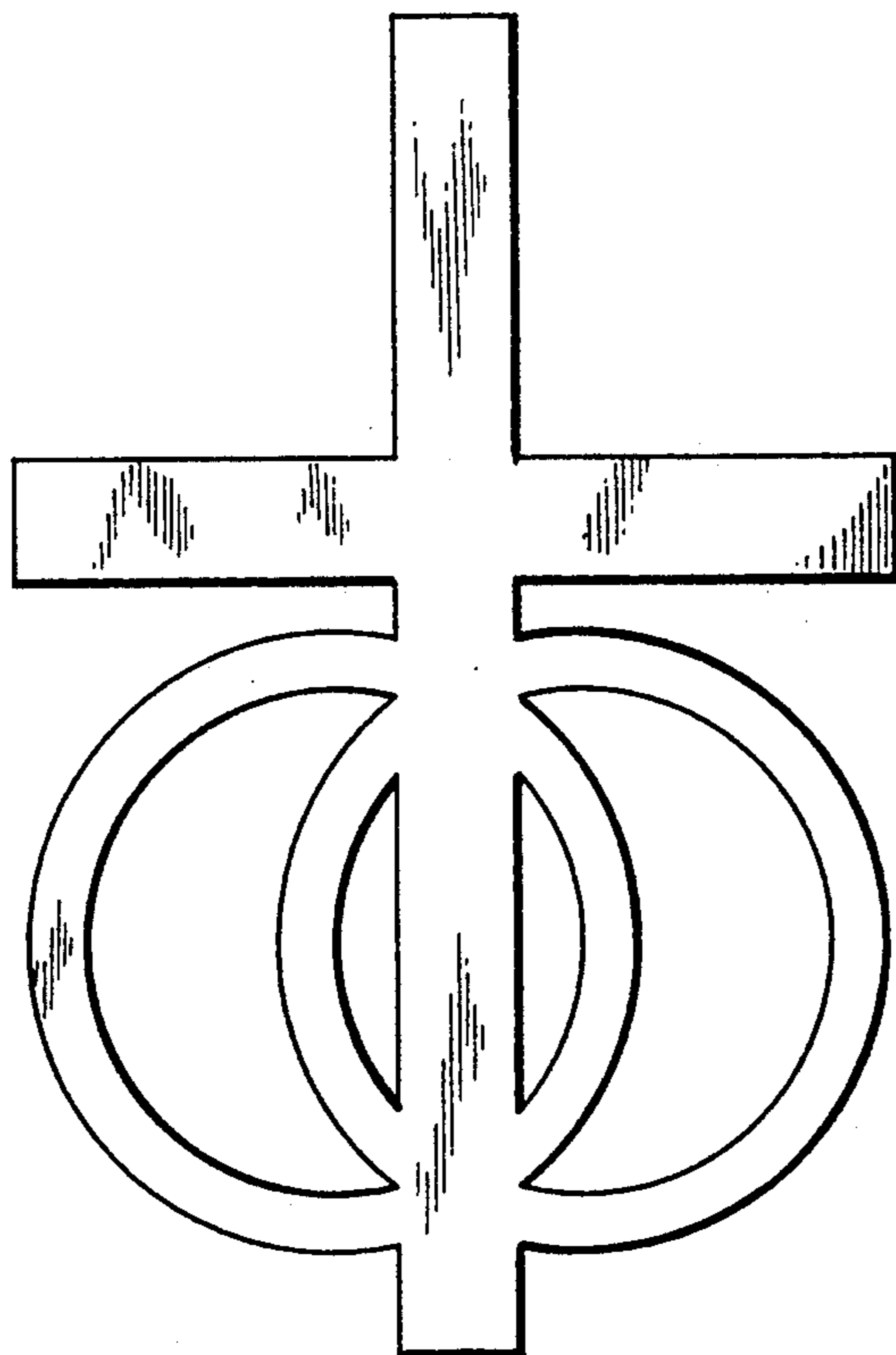


FIG. 3

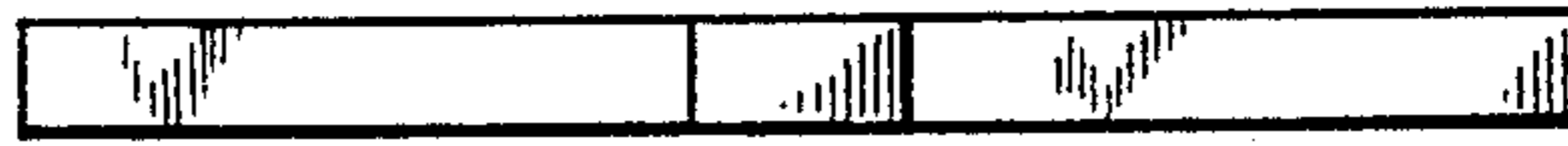


FIG. 4



FIG. 5

