



US00D334719S

# United States Patent [19]

Yeo

[11] Patent Number: **Des. 334,719**

[45] Date of Patent: **\*\* Apr. 13, 1993**

[54] **CALLIPER**

5,102,471 4/1992 Sasaki ..... 33/819 X

[75] Inventor: **Paul Yeo, Kewalram Hillview, Singapore**

*Primary Examiner*—Alan P. Douglas  
*Assistant Examiner*—Antoine D. Davis  
*Attorney, Agent, or Firm*—Christie, Parker & Hale

[73] Assignee: **Asiasource Technology PTE Ltd., Singapore, Singapore**

[57] **CLAIM**

[\*\*] Term: **14 Years**

The ornamental design for a calliper as shown and described.

[21] Appl. No.: **795,616**

**DESCRIPTION**

[22] Filed: **Nov. 21, 1991**

[30] **Foreign Application Priority Data**

May 22, 1991 [GB] United Kingdom ..... 2014856  
[52] U.S. Cl. .... **D10/73**  
[58] Field of Search ..... D10/73; 33/783-831, 33/DIG. 12

FIG. 1 is a front and left side perspective view of a calliper showing my new design;  
FIG. 2 is a rear and right side perspective view;  
FIG. 3 is a partial rear, left side and top perspective view;  
FIG. 4 is a partial front, left side and bottom perspective view;  
FIG. 5 is a partial front, right side and top perspective view;  
FIG. 6 is a partial front, left side and bottom perspective view, shown with the armatures in an open condition of use; and,  
FIG. 7 is a partial front, right side and bottom perspective view thereof, shown with the armatures in an open condition of use.  
The end portion of the calliper's handle has been eliminated for ease of illustration in FIGS. 3-7.

[56] **References Cited**

**U.S. PATENT DOCUMENTS**

D. 233,787	11/1974	Uchino	.....	D10/73
D. 235,627	7/1975	Uchino	.....	D10/73
D. 235,628	7/1975	Nishigata	.....	D10/73
D. 257,009	9/1980	Sibukawa et al.	.....	D10/73
D. 280,301	8/1985	Nishina et al.	.....	D10/73
4,229,883	10/1980	Kobashi	.....	33/784
5,056,238	10/1991	Chi	.....	33/783 X

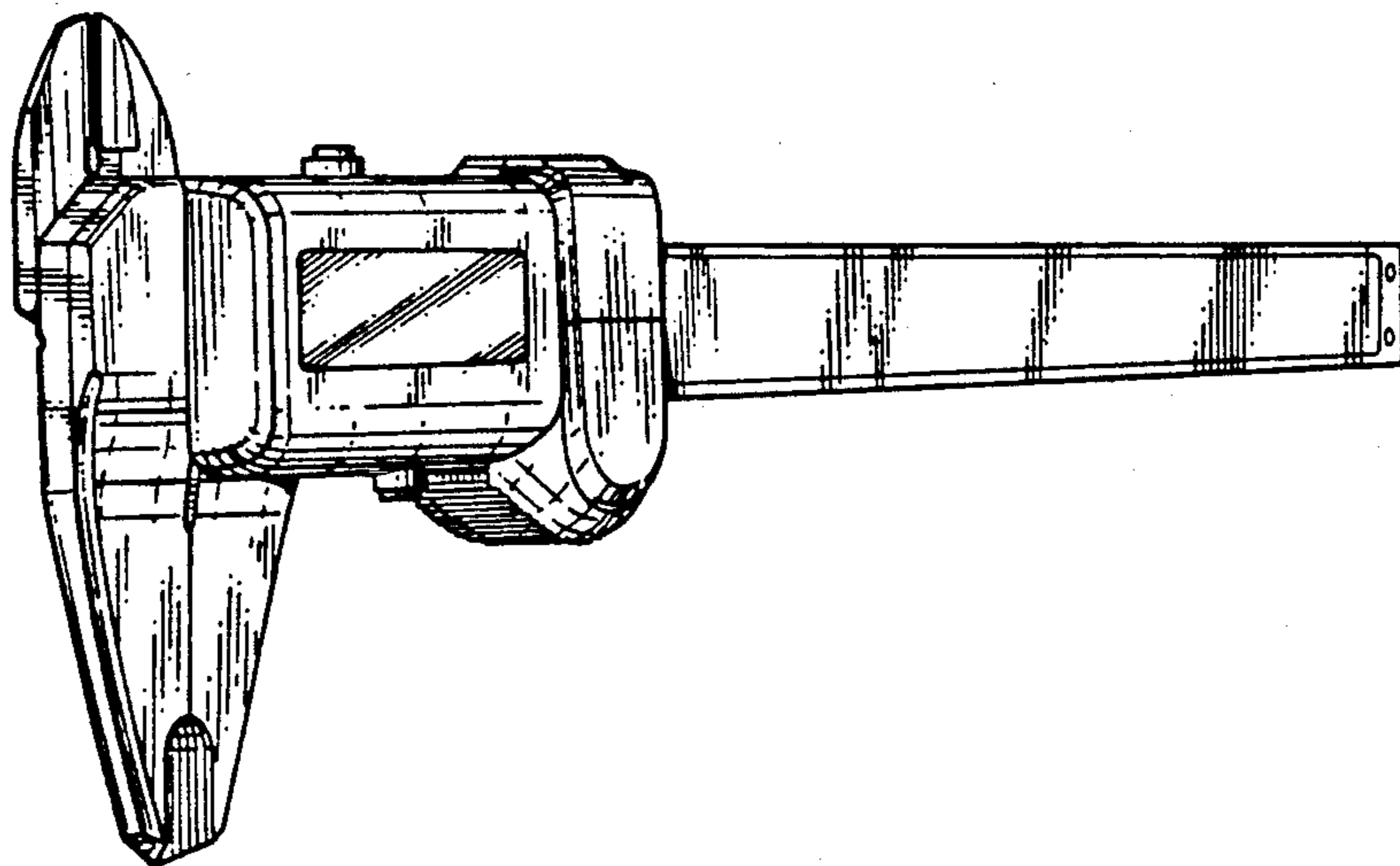


FIG. 1

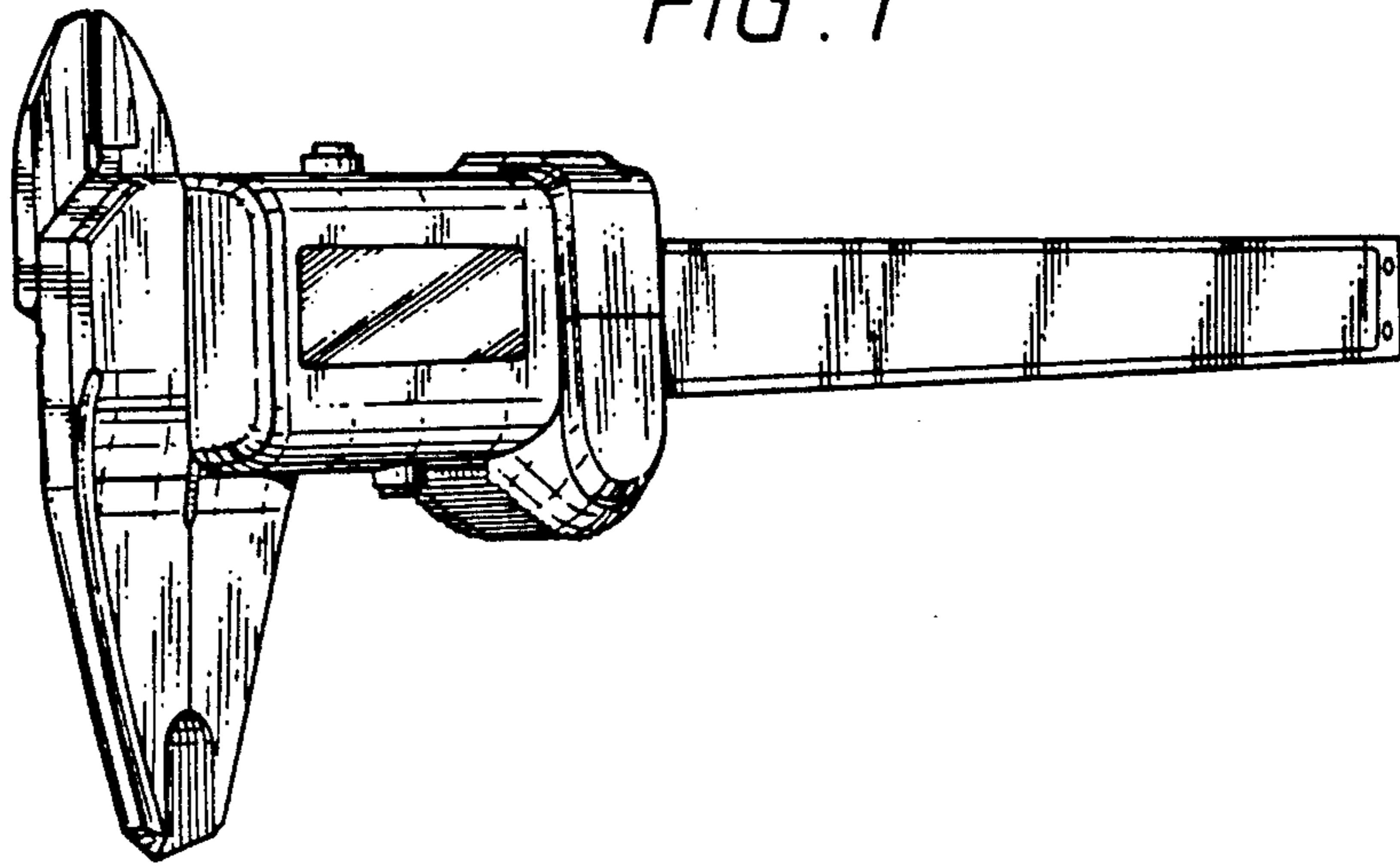


FIG. 2

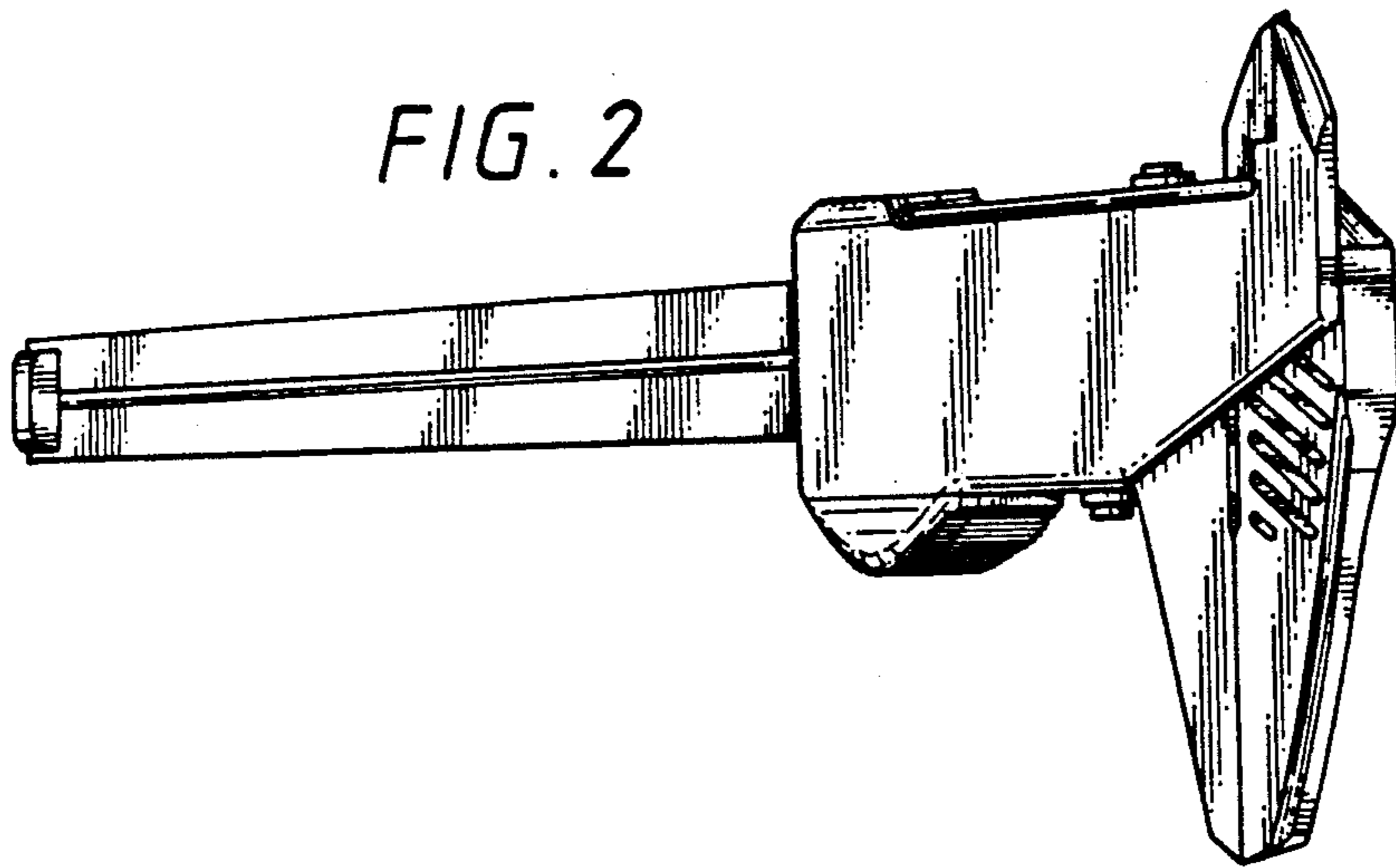


FIG. 3

