



US00D334717S

United States Patent [19]

[11] Patent Number: **Des. 334,717**

Evans, Jr. et al.

[45] Date of Patent: **** Apr. 13, 1993**

[54] **CHALK LINE MARKER**

[75] Inventors: **John J. Evans, Jr., Charleston; David Morris, North Charleston, both of S.C.**

[73] Assignee: **L. S. Starrett Company, Athol, Mass.**

[**] Term: **14 Years**

[21] Appl. No.: **599,248**

[22] Filed: **Oct. 17, 1990**

[52] U.S. Cl. **D10/65; D10/72**

[58] Field of Search **D10/60, 62, 65, 69, D10/70, 72; 242/84.5, 125.3; 33/414, 493, 494, 668, 756, 761, 767**

D. 319,347	8/1991	Van Lanningham, Jr. et al.	D10/72 X
3,568,483	3/1971	Woofter	33/761 X
4,527,334	7/1985	Jones et al.	33/761
4,927,092	5/1990	Ingram, II et al.	33/767 X

Primary Examiner—Alan P. Douglas
Assistant Examiner—Antoine D. Davis
Attorney, Agent, or Firm—Bell, Seltzer, Park & Gibson

[57] CLAIM

The ornamental design for a chalk line marker, as shown and described.

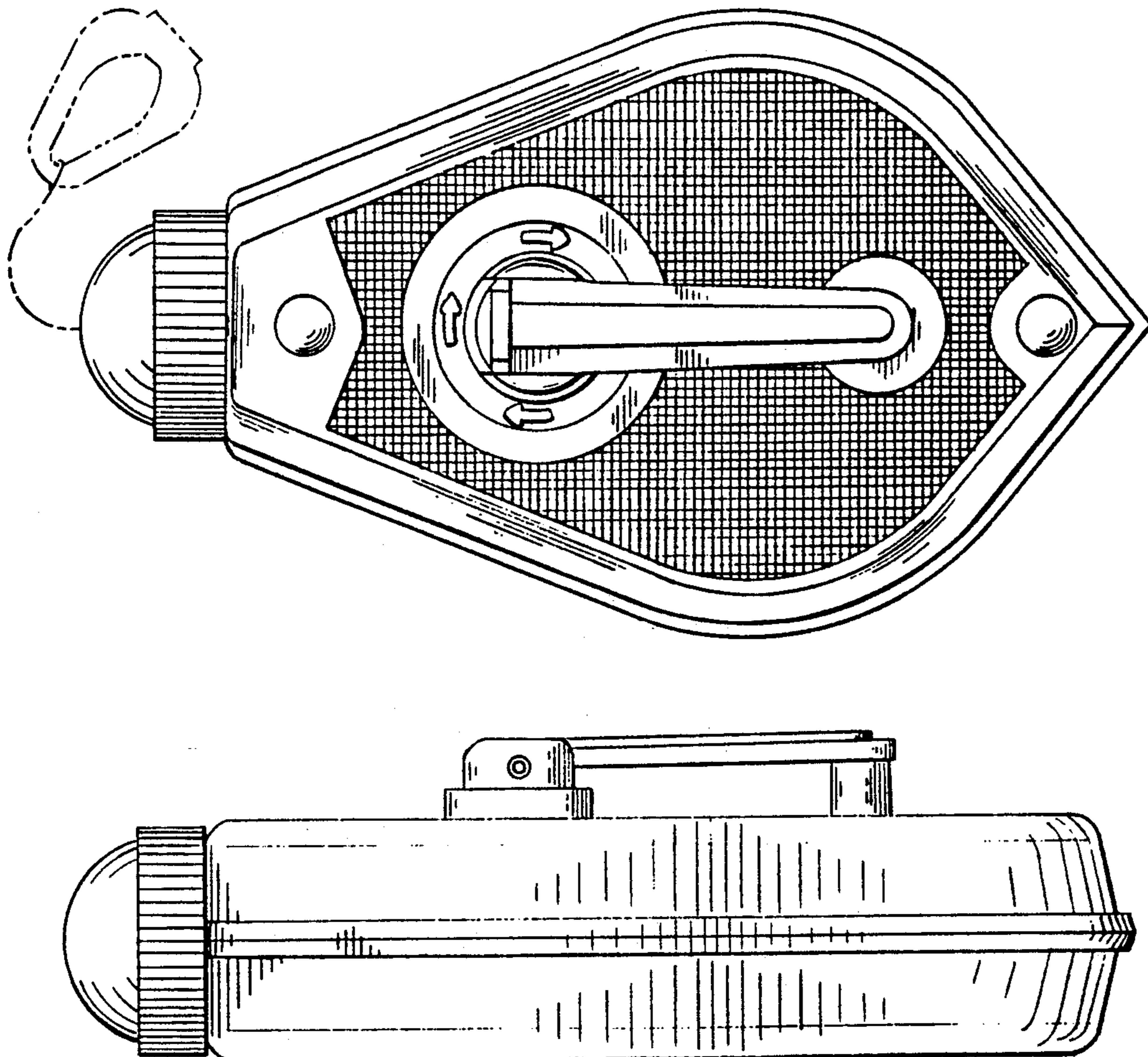
DESCRIPTION

FIG. 1 is a front elevational view of a chalk line marker showing our new design;
FIG. 2 is a left side elevational view thereof, the right side elevational view being a mirror image;
FIG. 3 is a top plan view thereof;
FIG. 4 is a bottom plan view thereof; and,
FIG. 5 is a rear elevational view thereof.

[56] References Cited

U.S. PATENT DOCUMENTS

D. 314,156	1/1991	Doyle	D10/72 X
D. 315,109	3/1991	Ingram, II et al.	D10/72



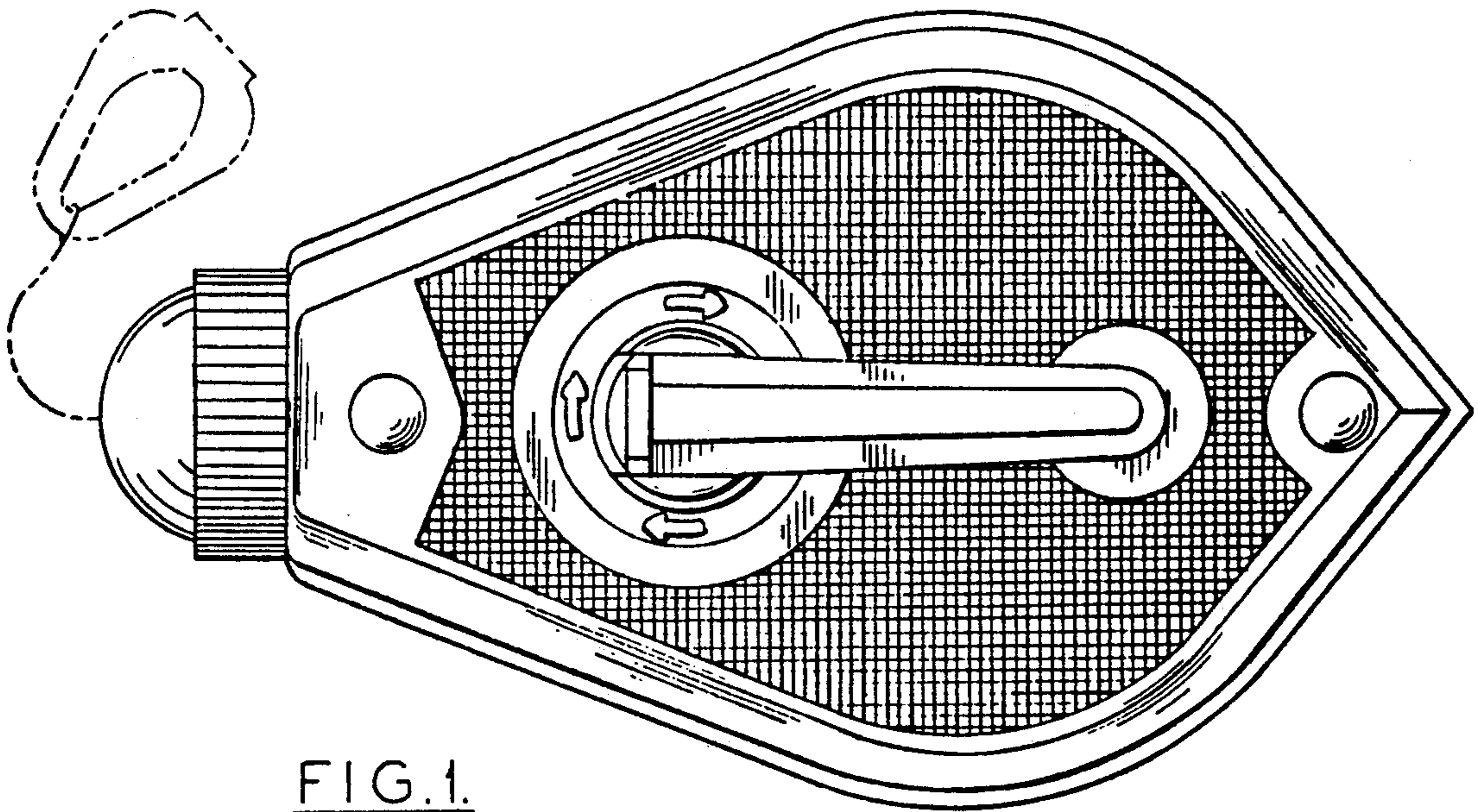


FIG. 1.

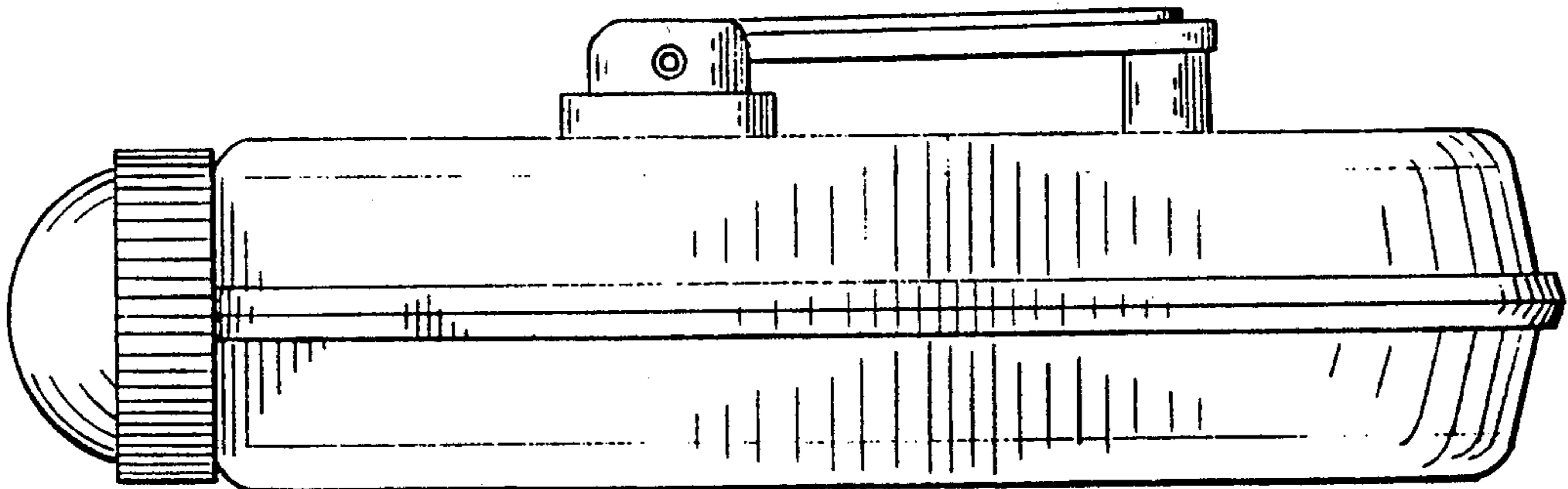
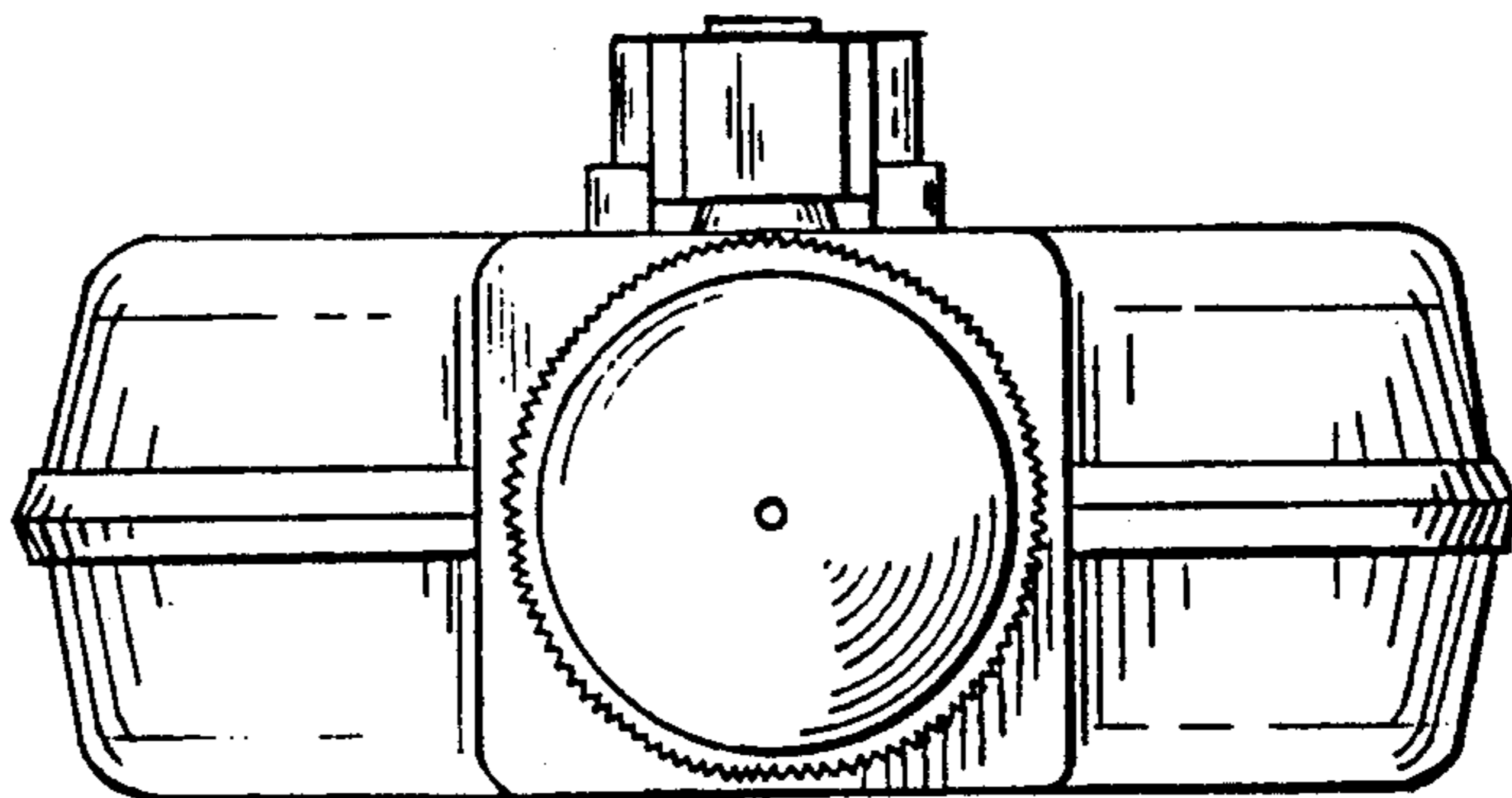


FIG. 2.

FIG. 3.



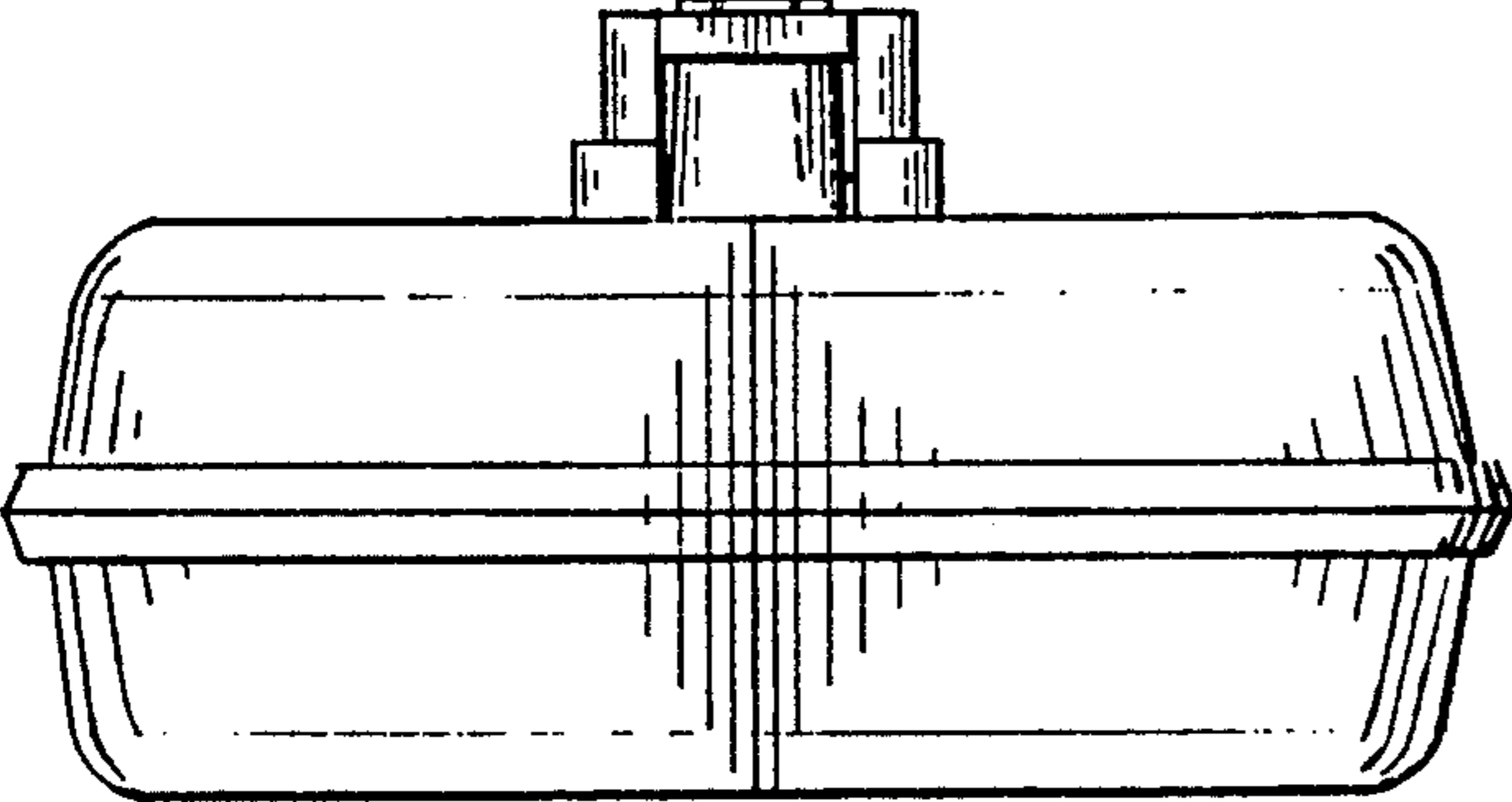


FIG. 4.

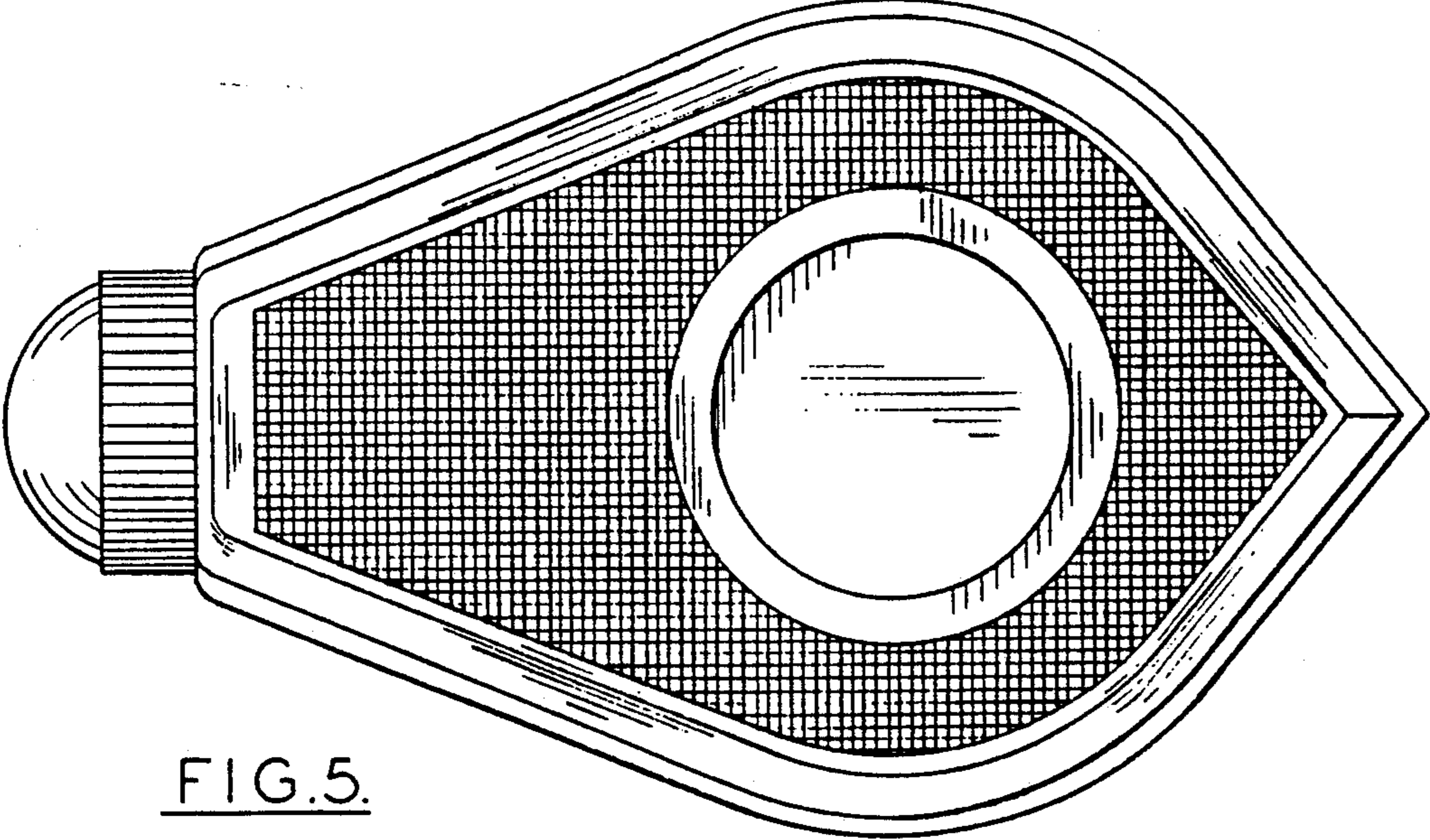


FIG. 5.