



US00D334704S

United States Patent [19]

[11] Patent Number: **Des. 334,704**

Andrews, Jr. et al.

[45] Date of Patent: **** Apr. 13, 1993**

[54] **CONNECTOR FOR RECEPTACLES**

[75] Inventors: **Howard W. Andrews, Jr.,**
Winchester; John A. Kowalski,
Stephens City; Friedrich G. Wahl,
Boyce, all of Va.

[73] Assignee: **Rubbermaid Commercial Products**
Inc., Winchester, Va.

[**] Term: **14 Years**

[21] Appl. No.: **712,647**

[22] Filed: **Jun. 10, 1991**

[52] U.S. Cl. **D8/395; D8/396;**
D21/121; D34/1

[58] Field of Search **D9/434; D34/1; D8/395,**
D8/396; D25/121; 24/336, 288, 530, 543;
220/23.83, 23.2, 23.4, 694, 909; 403/24, 331,
338, 405.1

[56] **References Cited**

U.S. PATENT DOCUMENTS

1,794,285	2/1931	Foster .	
1,800,109	4/1931	Selig .	
2,566,804	9/1951	Flamme et al.	220/23.4
3,038,599	6/1962	Poupitch	220/23.4
3,146,505	9/1964	Hansen	220/23.4
3,480,136	11/1969	Poupitch	24/288
3,739,431	6/1973	Scioloro	220/23.4
4,115,938	9/1978	Belmuth et al.	40/152
4,227,758	10/1980	Clare	312/107
4,566,157	1/1986	Packendorff	24/543

4,750,638	6/1988	Sosower	220/404
4,765,495	8/1988	Bisk	24/336
4,768,298	9/1988	Polhemus et al.	220/23.4
4,834,253	5/1989	Crine	220/23.4
4,834,262	5/1989	Reed	220/404
4,874,111	10/1989	Heller	220/404
4,925,056	5/1990	McCoig	220/404
4,940,159	7/1990	Callas et al.	220/404
4,967,900	11/1990	Gossett	220/404
4,969,568	11/1990	Yoshida	220/23.4
5,054,636	10/1991	Netzer	220/23.4
5,078,530	1/1992	Kim	403/338

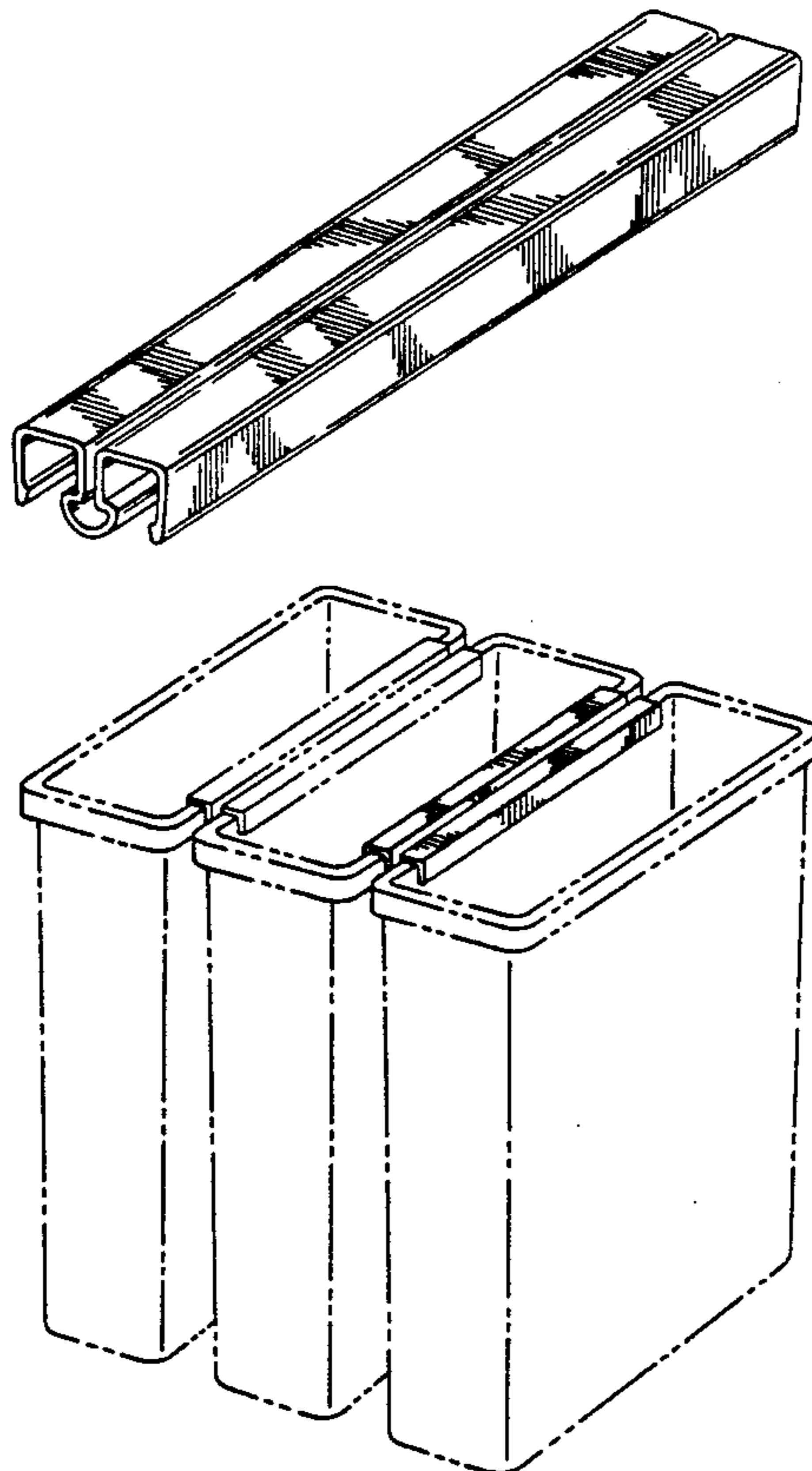
Primary Examiner—B. J. Bullock
Attorney, Agent, or Firm—Richard B. O'Planick

[57] **CLAIM**

The ornamental design for a connector for receptacles, as shown and described.

DESCRIPTION

FIG. 1 is a top front left perspective view of a connector for receptacles embodying our new design; FIG. 2 is a front elevational view thereof, the rear elevational view being a mirror image; FIG. 3 is a top plan view thereof; FIG. 4 is bottom plan view thereof; FIG. 5 is an enlarged left side elevational view thereof; the right side elevational view being a mirror image; and, FIG. 6 is a reduced top front left perspective view thereof, the second connector and the receptacles being shown in broken lines for illustrative purposes only.



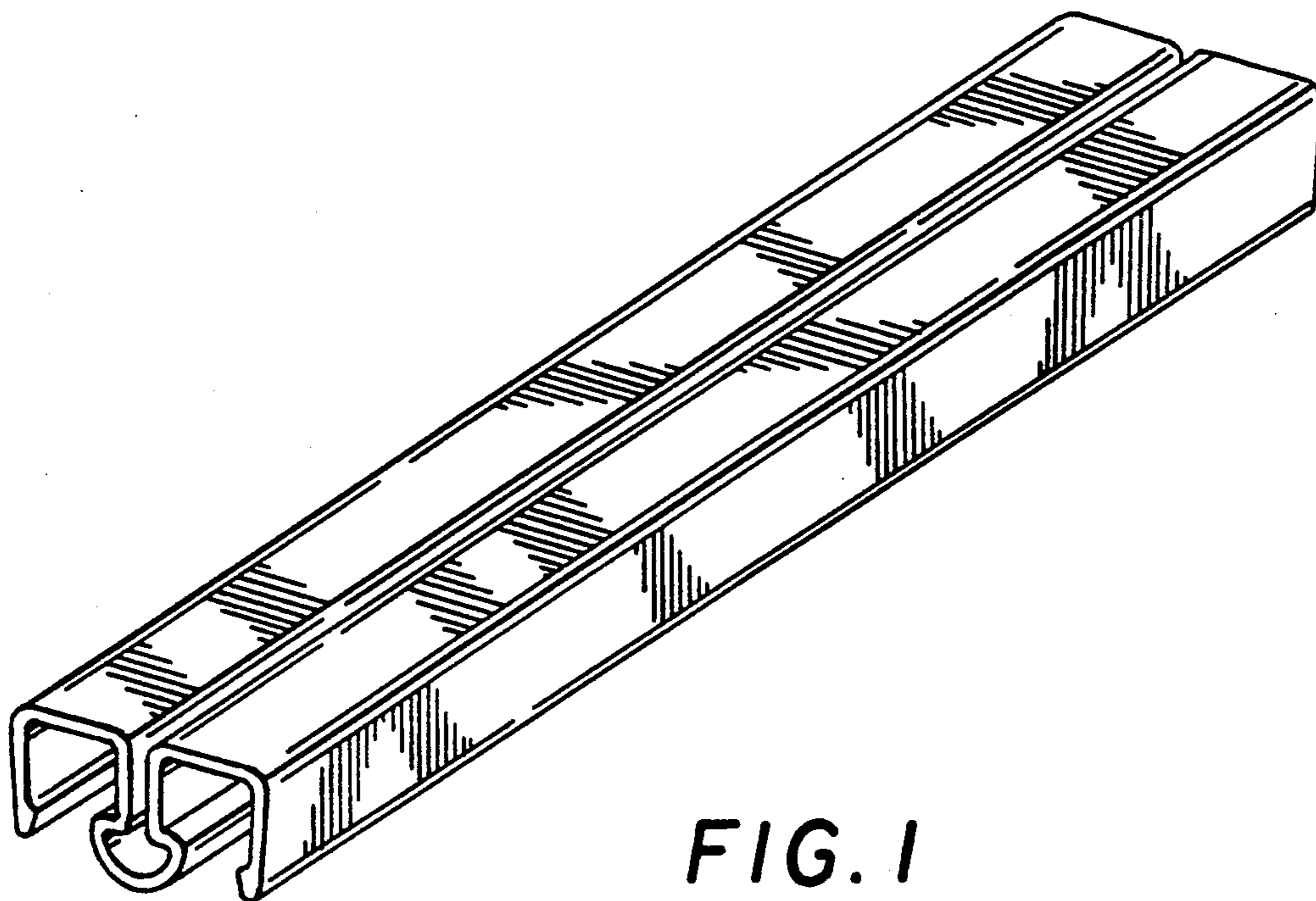


FIG. 1



FIG. 2

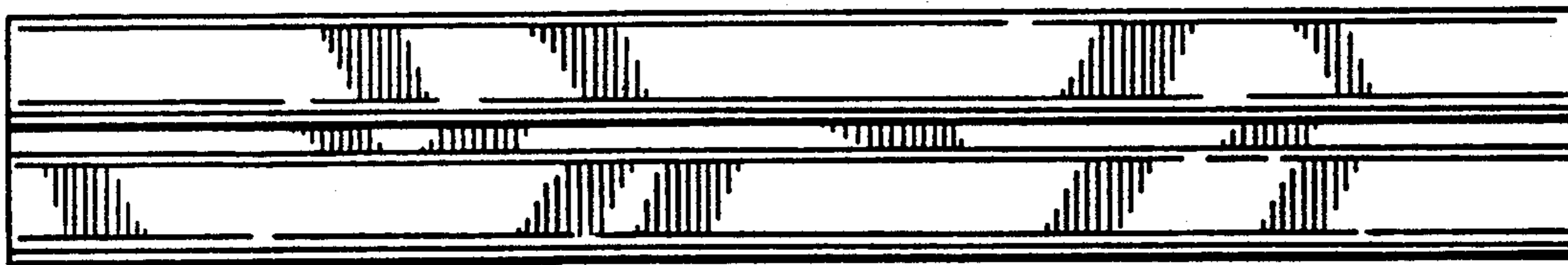


FIG. 3



FIG. 4

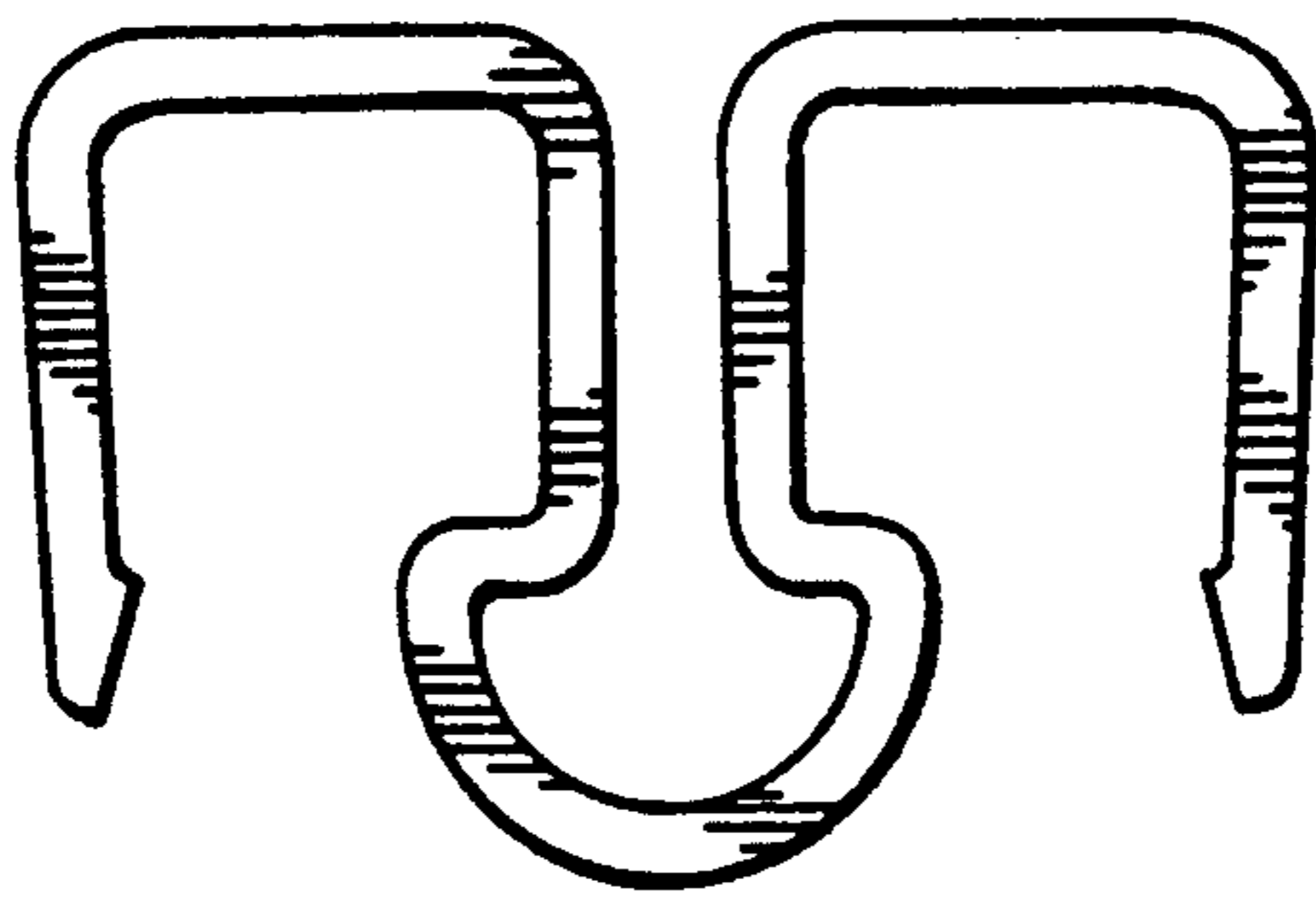


FIG. 5

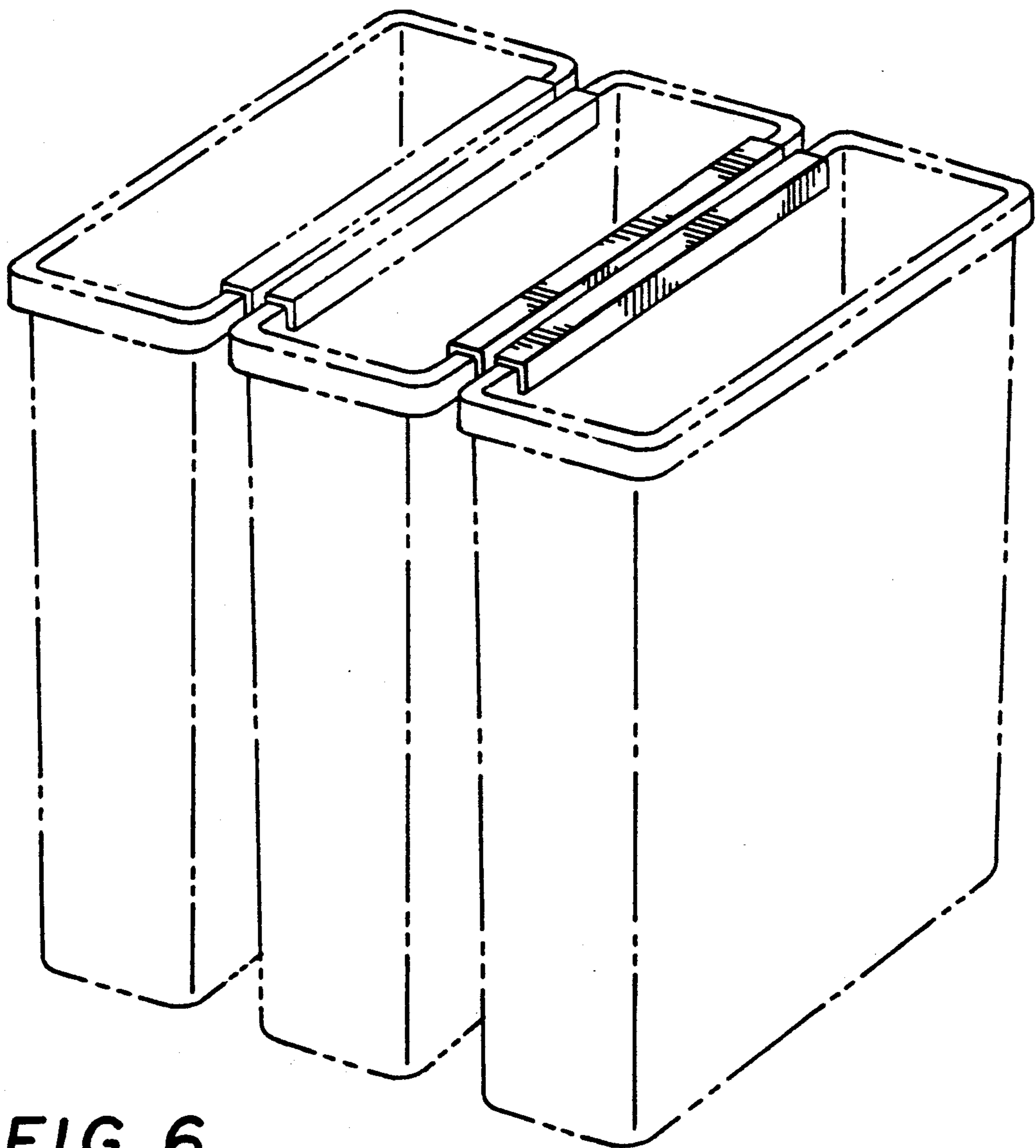


FIG. 6