



US00D334695S

United States Patent [19]

[11] Patent Number: **Des. 334,695**

Watmore et al.

[45] Date of Patent: **** Apr. 13, 1993**

[54] SOLDERING TOOL

[75] Inventors: **John P. Watmore, Winterbourne; Alfred P. Oglesby; John P. Oglesby,** both of Carlow, all of Ireland

[73] Assignee: **Oglesby & Butler Limited, Carlow, Ireland**

[**] Term: **14 Years**

[21] Appl. No.: **691,597**

[22] Filed: **Apr. 25, 1991**

[30] Foreign Application Priority Data

Oct. 26, 1990 [IE] Ireland 464/90

Oct. 26, 1990 [IE] Ireland 465/90

[52] U.S. Cl. **D8/30; D8/29.1**

[58] Field of Search **D8/29.1, 30; 219/227, 219/228, 229, 238; 228/20 HT, 51, 55, 53**

[56] References Cited

U.S. PATENT DOCUMENTS

D. 317,704 6/1991 Zaborowski et al. **D8/30**

D. 327,825 7/1992 Oglesby et al. **D8/30**

4,431,903 2/1984 Riccio **219/227**

4,614,295 9/1986 Köchli **228/53**

4,648,545 3/1987 Polckemann **228/20 HT**

Primary Examiner—Alan P. Douglas
Assistant Examiner—J. H. Musgrove
Attorney, Agent, or Firm—Sughrue, Mion, Zinn, Macpeak & Seas

[57] CLAIM

The ornamental design for a soldering tool, as shown and described.

DESCRIPTION

FIG. 1 is a perspective view of a soldering tool according to the design;

FIG. 2 is a top plan view of the soldering tool of FIG. 1;

FIG. 3 is an underneath plan view of the soldering tool in FIG. 1;

FIG. 4 is a side view from one side of the soldering tool of FIG. 1;

FIG. 5 is a side view from the other side of the soldering tool of FIG. 1;

FIG. 6 is an end view from one end of the soldering tool of FIG. 1;

FIG. 7 is an end view from the other end of the soldering tool of FIG. 1;

FIG. 8 is a perspective view of the soldering tool of FIG. 1 with a cap removed;

FIG. 9 is a top plan view of the soldering tool of FIG. 1 with the cap removed;

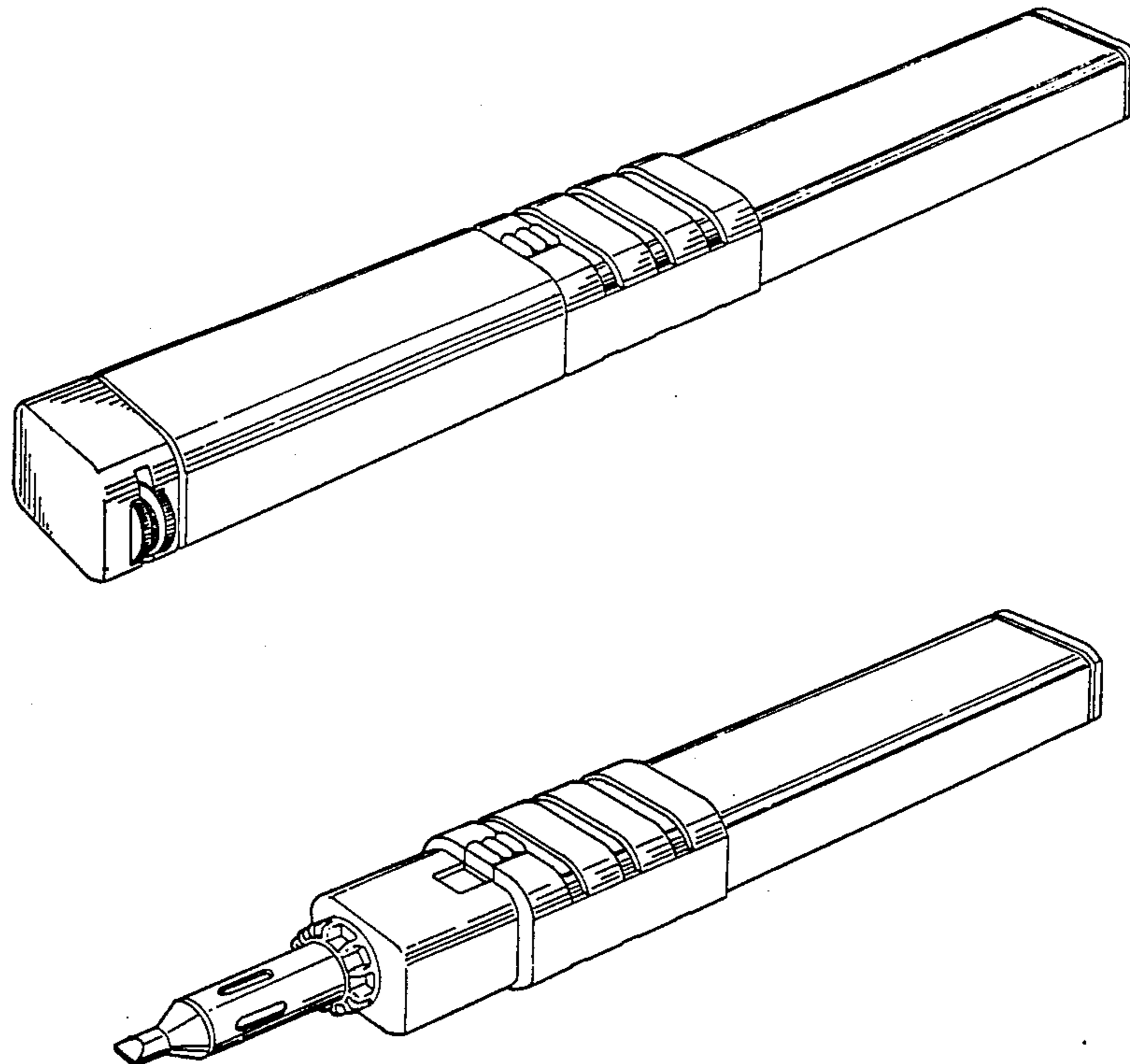
FIG. 10 is an underneath plan view of the soldering tool of FIG. 1 with the cap removed;

FIG. 11 is a side view from one side of the soldering tool of FIG. 1 with the cap removed;

FIG. 12 is a side view from the other side of the soldering tool of FIG. 1 with the cap removed;

FIG. 13 is an end view from one end of the soldering tool of FIG. 1 with the cap removed; and,

FIG. 14 is an end view from the other end of the soldering tool of FIG. 1 with the cap removed.



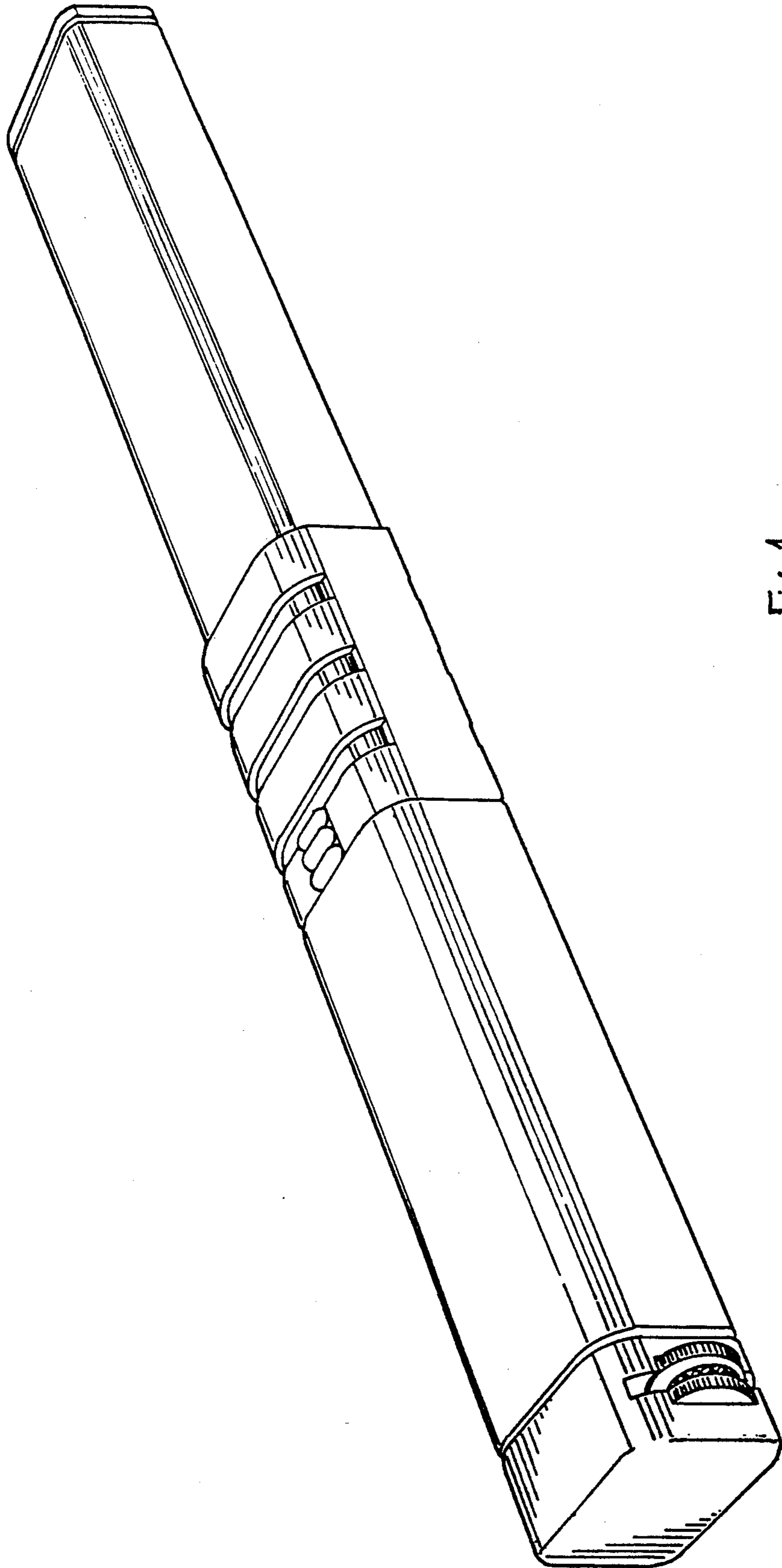


Fig 1
0

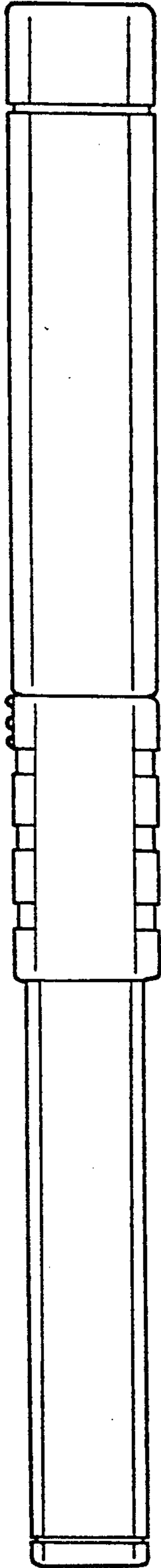


Fig 5

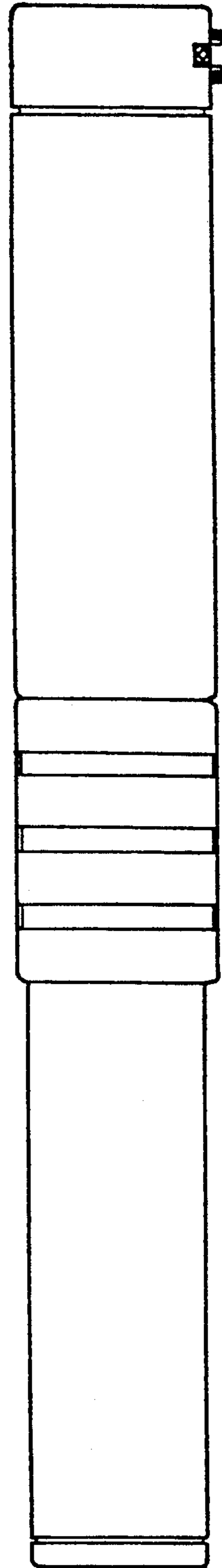


Fig 3

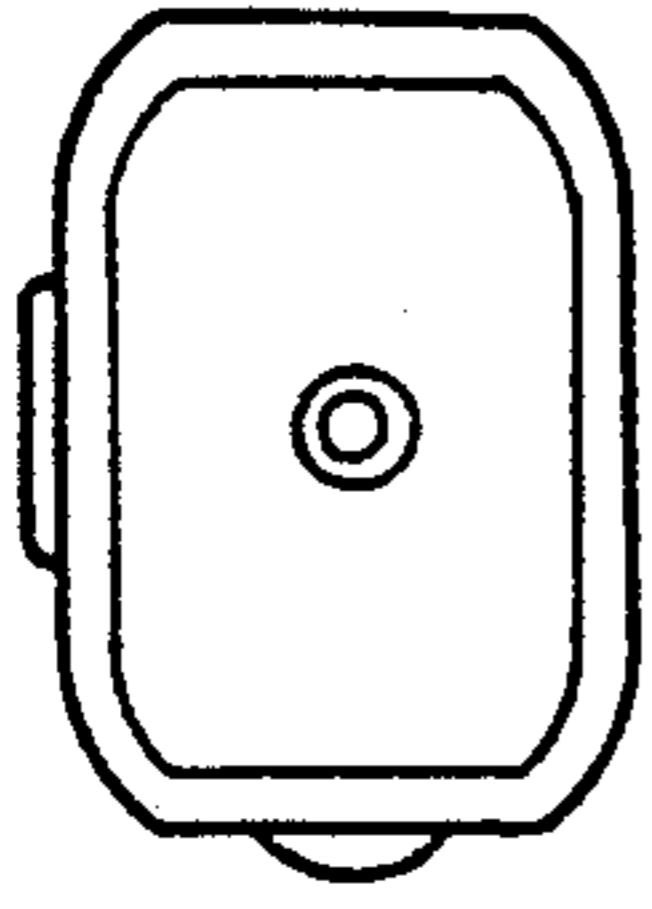


Fig 6

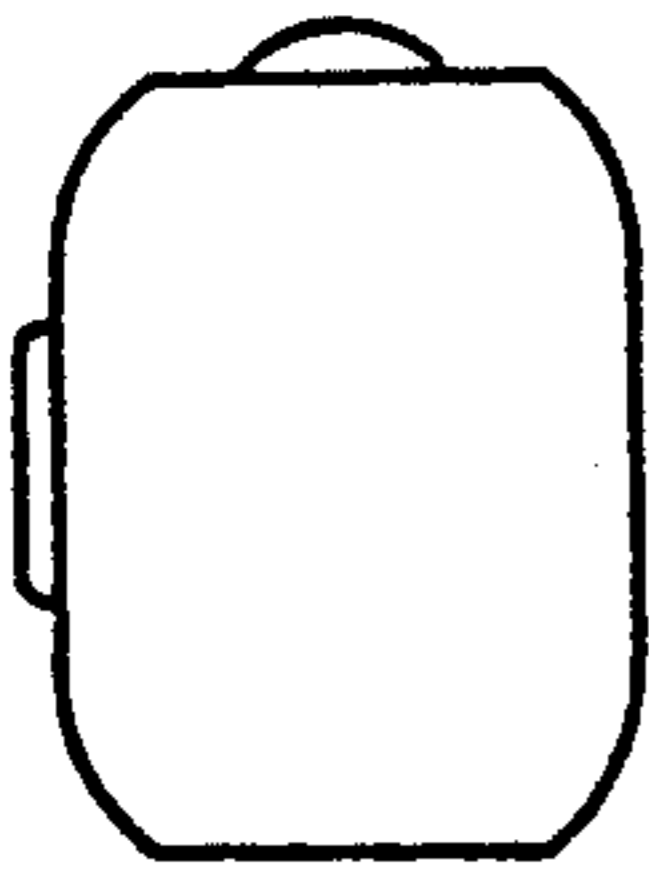


Fig 7

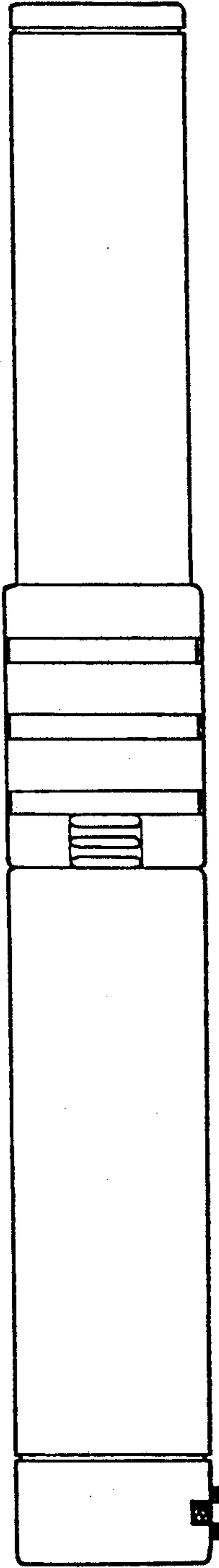


Fig 2

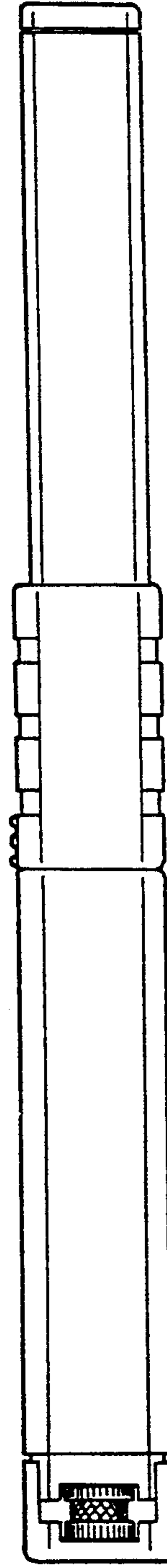


Fig 4

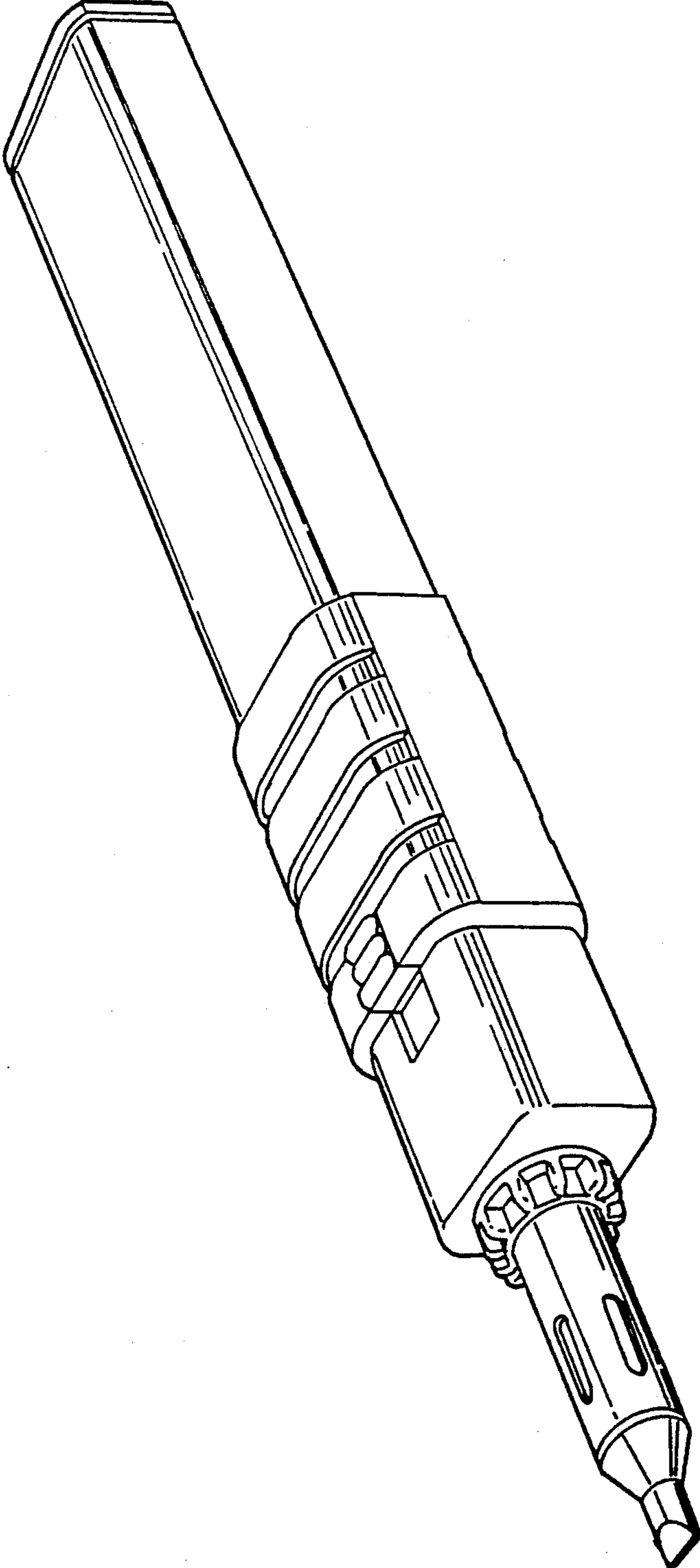


Fig. 8

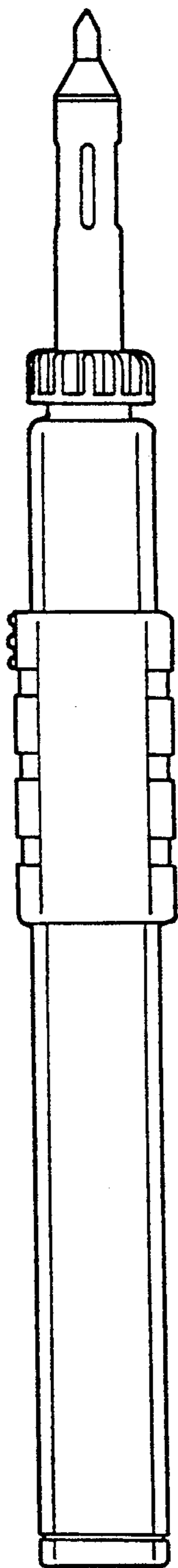


Fig 12

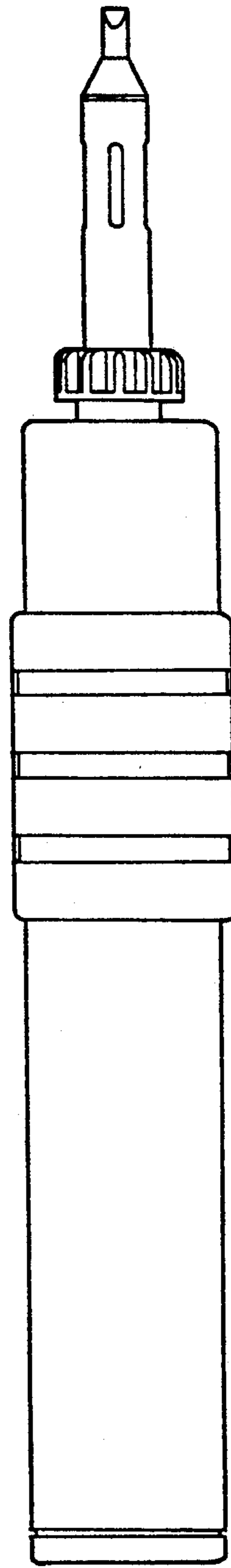


Fig 10

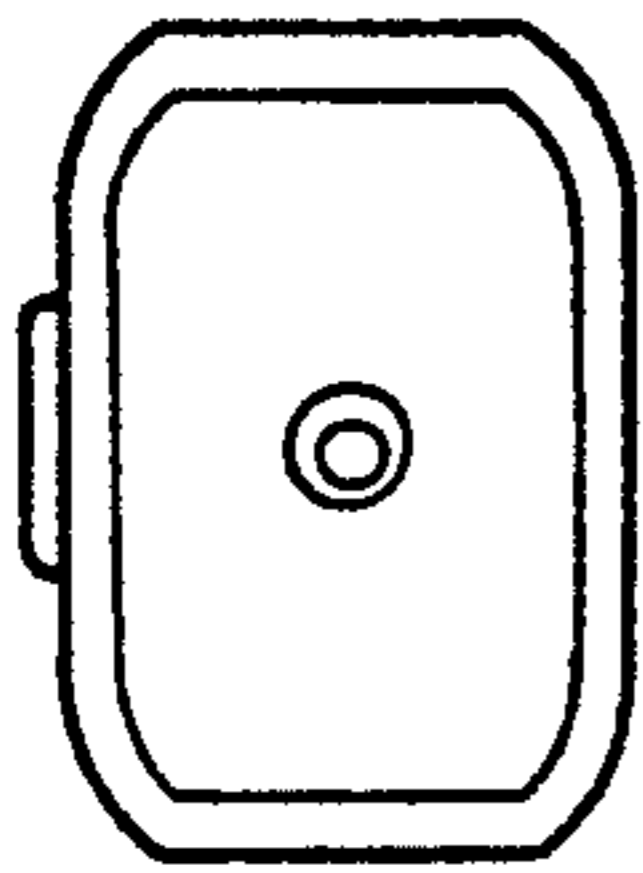


Fig 13

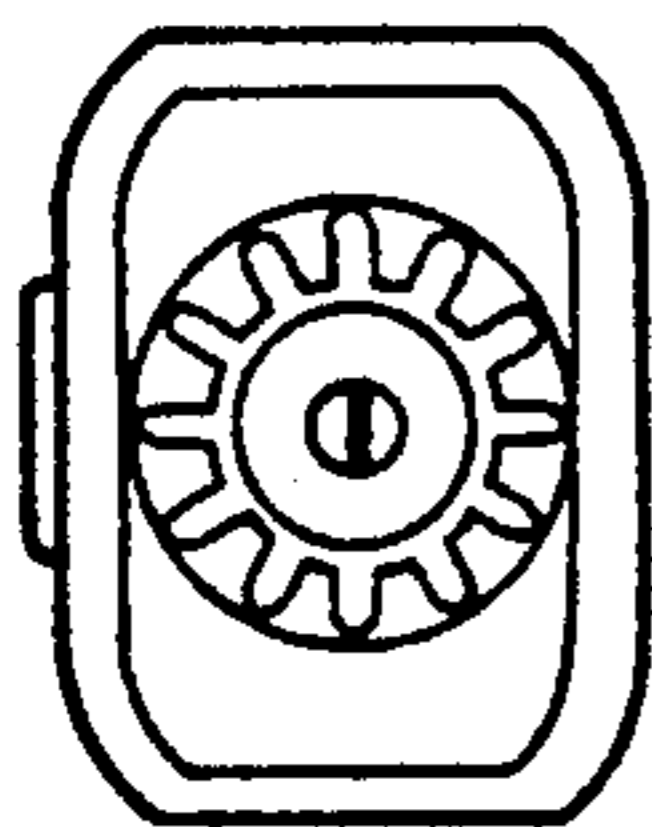


Fig 14

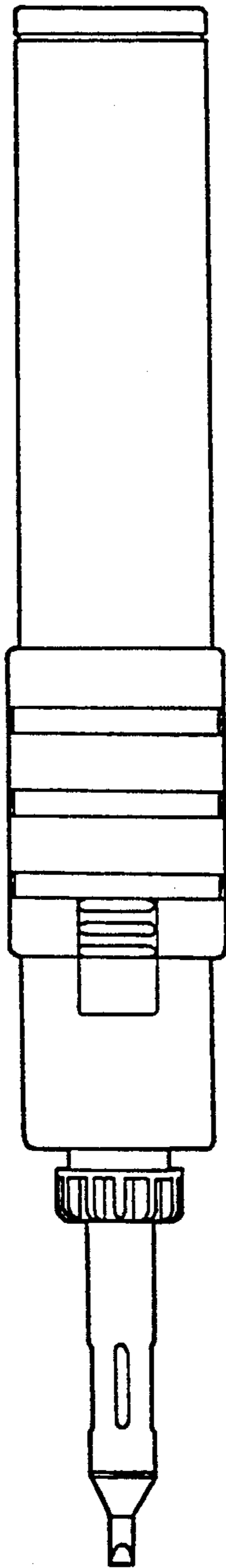


Fig 9

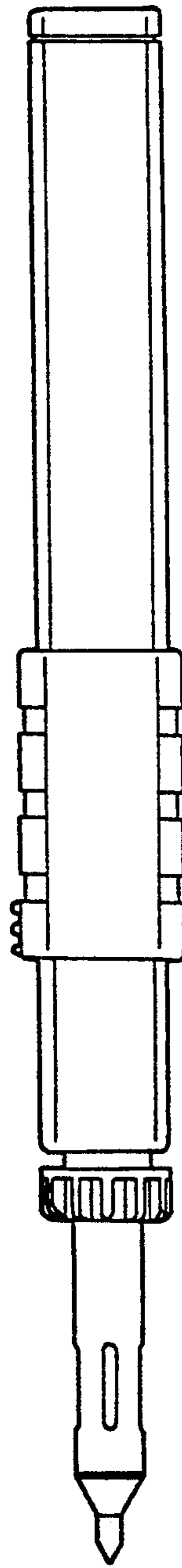


Fig 11