



US00D334692S

# United States Patent [19]

[11] Patent Number: **Des. 334,692**

Nussio

[45] Date of Patent: **\*\* Apr. 13, 1993**

[54] SPATULA

1,612,367 12/1926 Fulton ..... 294/7  
1,946,592 2/1934 Nelson ..... 294/7 X

[76] Inventor: **Lawrence P. Nussio**, 2904 Hickory Grove Rd., Bloomfield Hills, Mich. 48331

*Primary Examiner*—Terry A. Pfeffer  
*Attorney, Agent, or Firm*—Brooks & Kushman

[\*\*] Term: **14 Years**

[57] **CLAIM**

[21] Appl. No.: **712,659**

The ornamental design for a spatula, as shown.

[22] Filed: **Jun. 10, 1991**

**DESCRIPTION**

[52] U.S. Cl. .... **D7/688**

FIG. 1 is a perspective view of a spatula showing my new design;

[58] Field of Search ..... **D7/682-696, D7/649; 294/7, 8**

FIG. 2 is a top plan view thereof;

FIG. 3 is a side elevational view thereof;

FIG. 4 is a bottom plan view thereof;

FIG. 5 is a rear elevational view thereof;

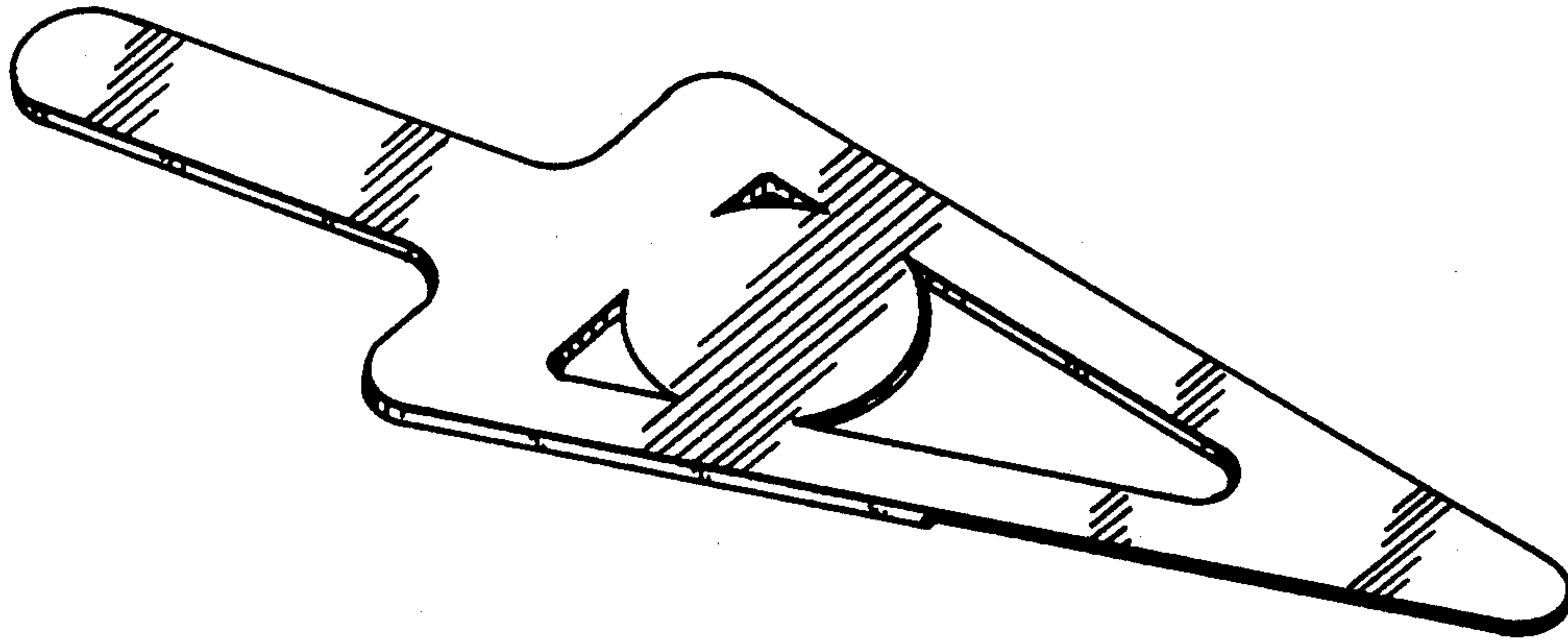
FIG. 6 is a front elevational view thereof; and,

FIG. 7 is a cross-sectional view taken along line 7—7 of FIG. 2.

[56] **References Cited**

**U.S. PATENT DOCUMENTS**

- D. 237,449 11/1975 Montesi ..... D7/688 X
- D. 303,902 10/1989 Gecchelin ..... D7/688



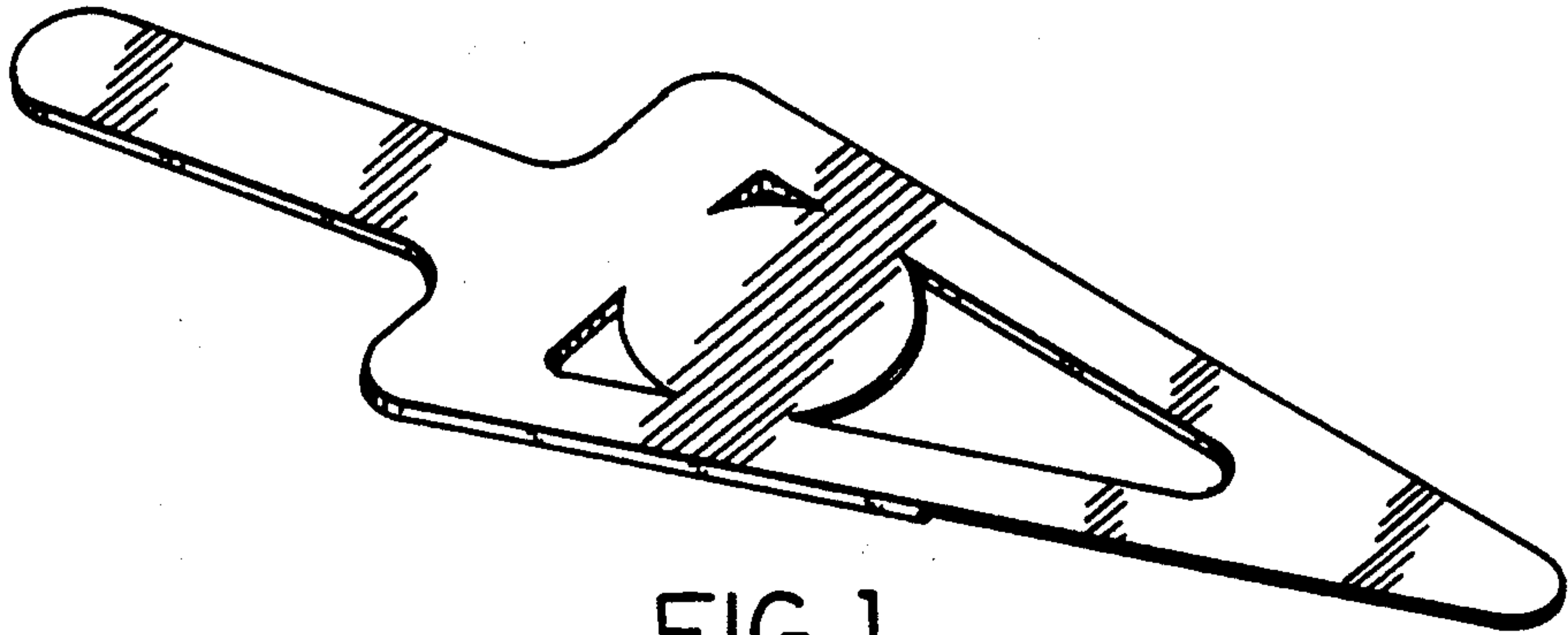


FIG. 1

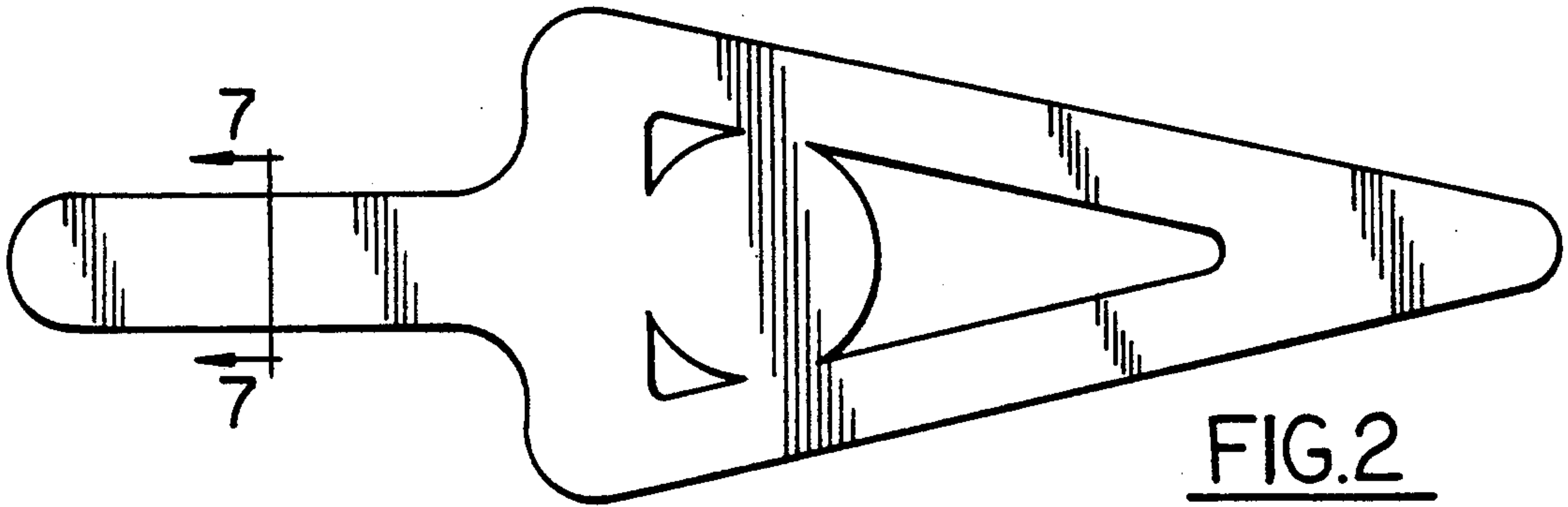


FIG. 2



FIG. 3

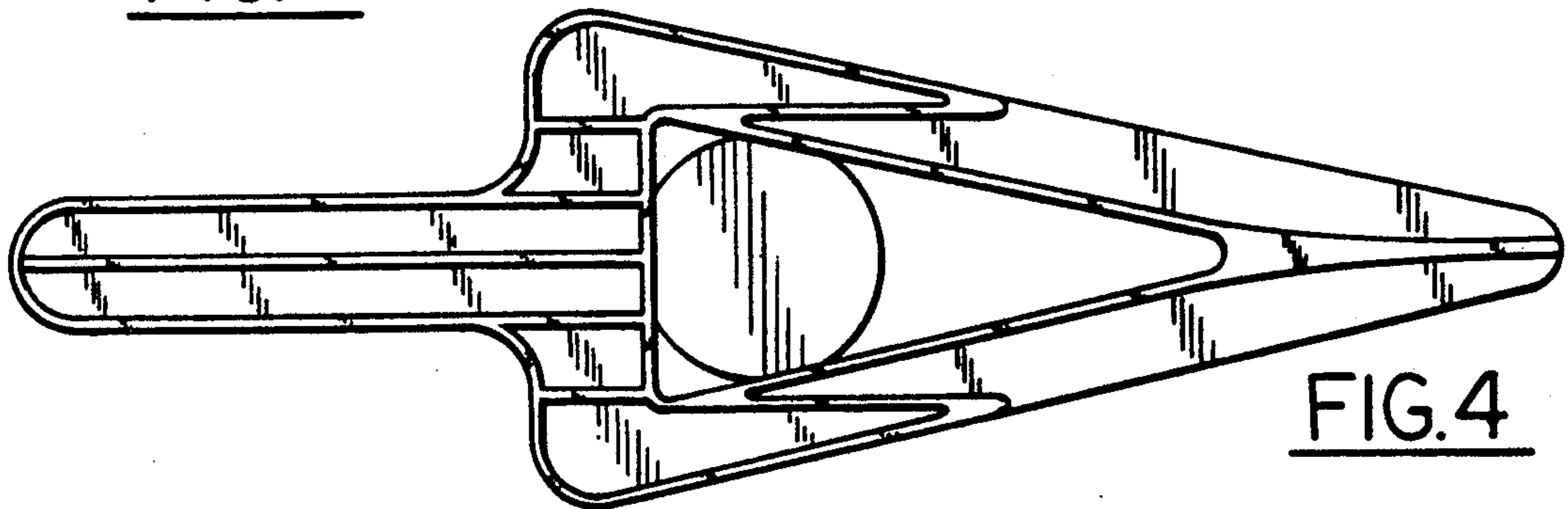


FIG. 4

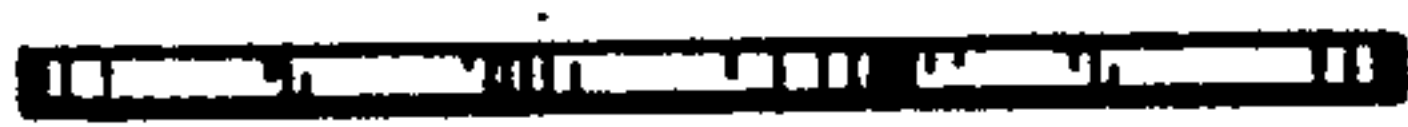


FIG. 5



FIG. 6



FIG. 7