



US00D334687S

United States Patent [19]

[11] Patent Number: Des. 334,687

Gongwer

[45] Date of Patent: ** Apr. 13, 1993

[54] MOBILE FOOD COOKING TRAILER

D. 255,863 7/1980 Futch D7/334
D. 265,374 7/1982 Hamilton, Jr. D7/334
D. 309,124 7/1990 Young D12/102

[75] Inventor: Dean Gongwer, Wakarusa, Ind.

[73] Assignee: Nelgo Manufacturing, Inc.,
Wakarusa, Ind.

Primary Examiner—A. Hugo Word
Assistant Examiner—Ruth McInroy
Attorney, Agent, or Firm—James D. Hall

[**] Term: 14 Years

[57] CLAIM

[21] Appl. No.: 597,589

The ornamental design for a mobile food cooking trailer, as shown and described.

[22] Filed: Oct. 15, 1990

[52] U.S. Cl. D7/334

[58] Field of Search D7/331-332,
D7/334, 336, 338, 339; D12/102, 105; 126/25
R, 25 A, 25 AAA, 39 B, 276, 268, 41 C; 296/22;
219/388; 99/386, 391, 400, 404, 443 C, 427,
448, 446, 477

DESCRIPTION

[56] References Cited

U.S. PATENT DOCUMENTS

D. 240,494 7/1976 Beasley D7/347
D. 250,317 11/1978 Simmons D12/102
D. 253,695 12/1979 Simmons D7/334

FIG. 1 is a top, rear and right side perspective view of a mobile food cooking trailer showing my new design; FIG. 2 is a top, front and left side perspective view thereof;

FIG. 3 is a left side elevational view thereof;

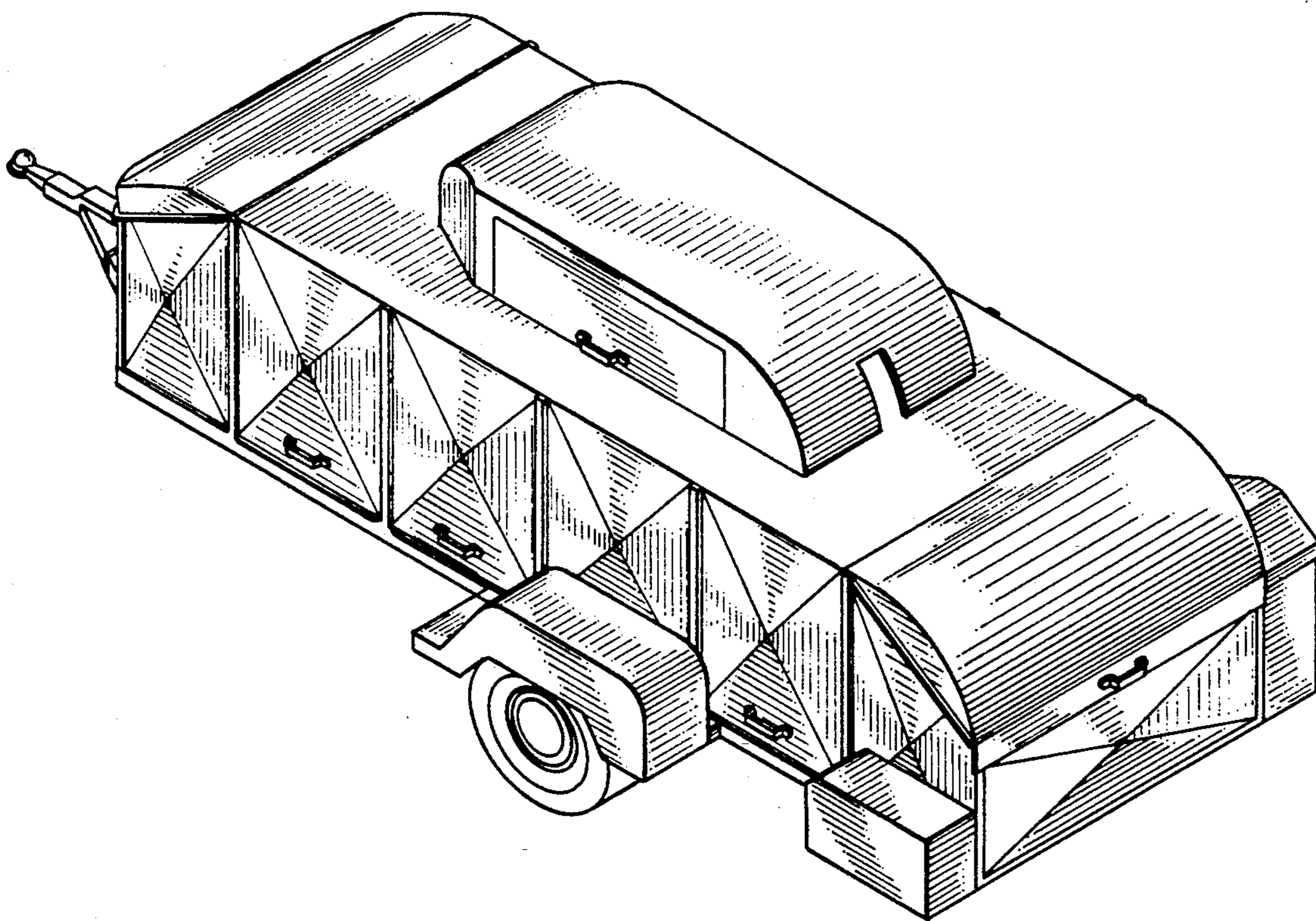
FIG. 4 is a top plan view thereof;

FIG. 5 is a right side elevational view thereof;

FIG. 6 is a front elevational view thereof; and,

FIG. 7 is a rear elevational view thereof.

The undisclosed bottom view is plain and unornamented.



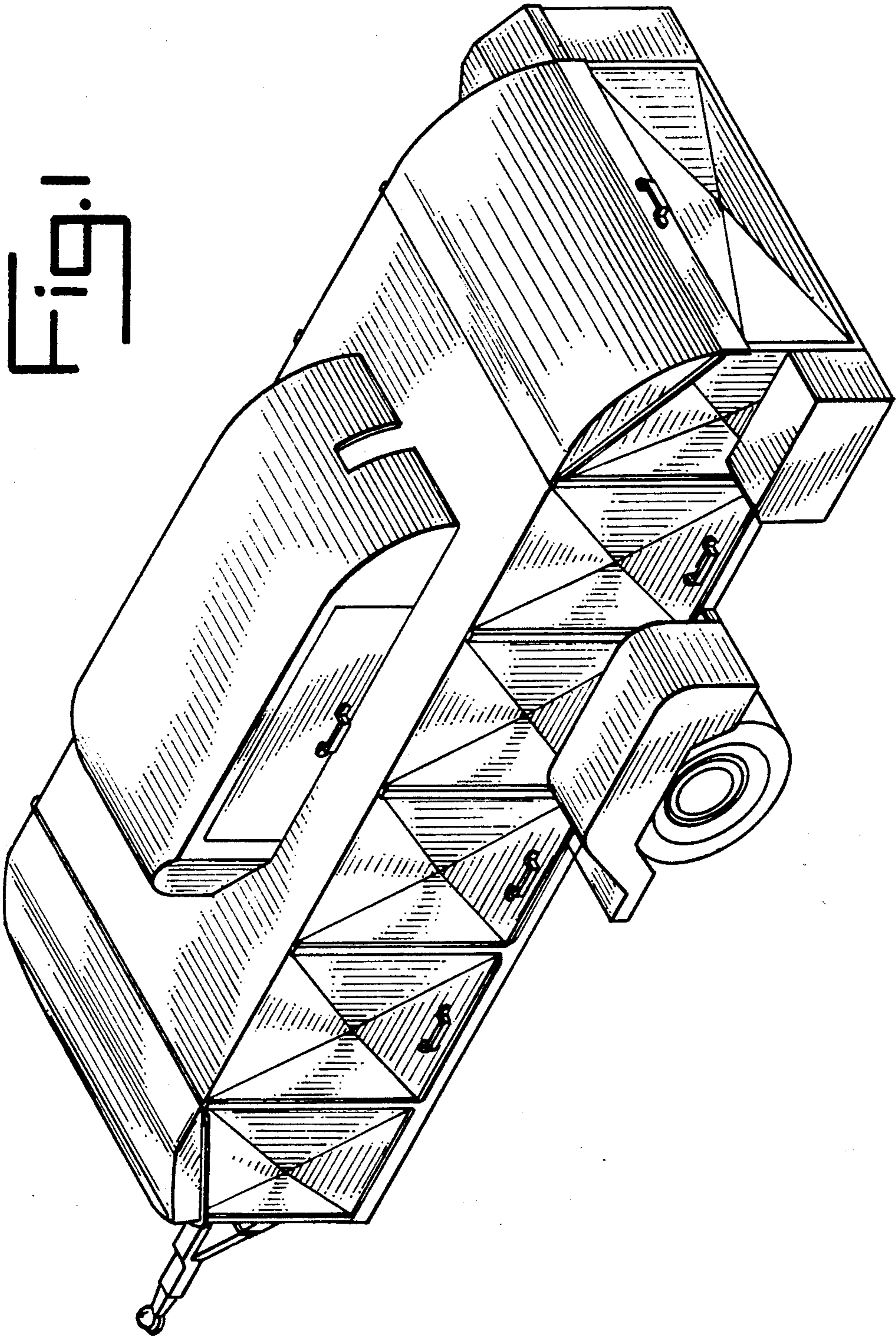


Fig. 2

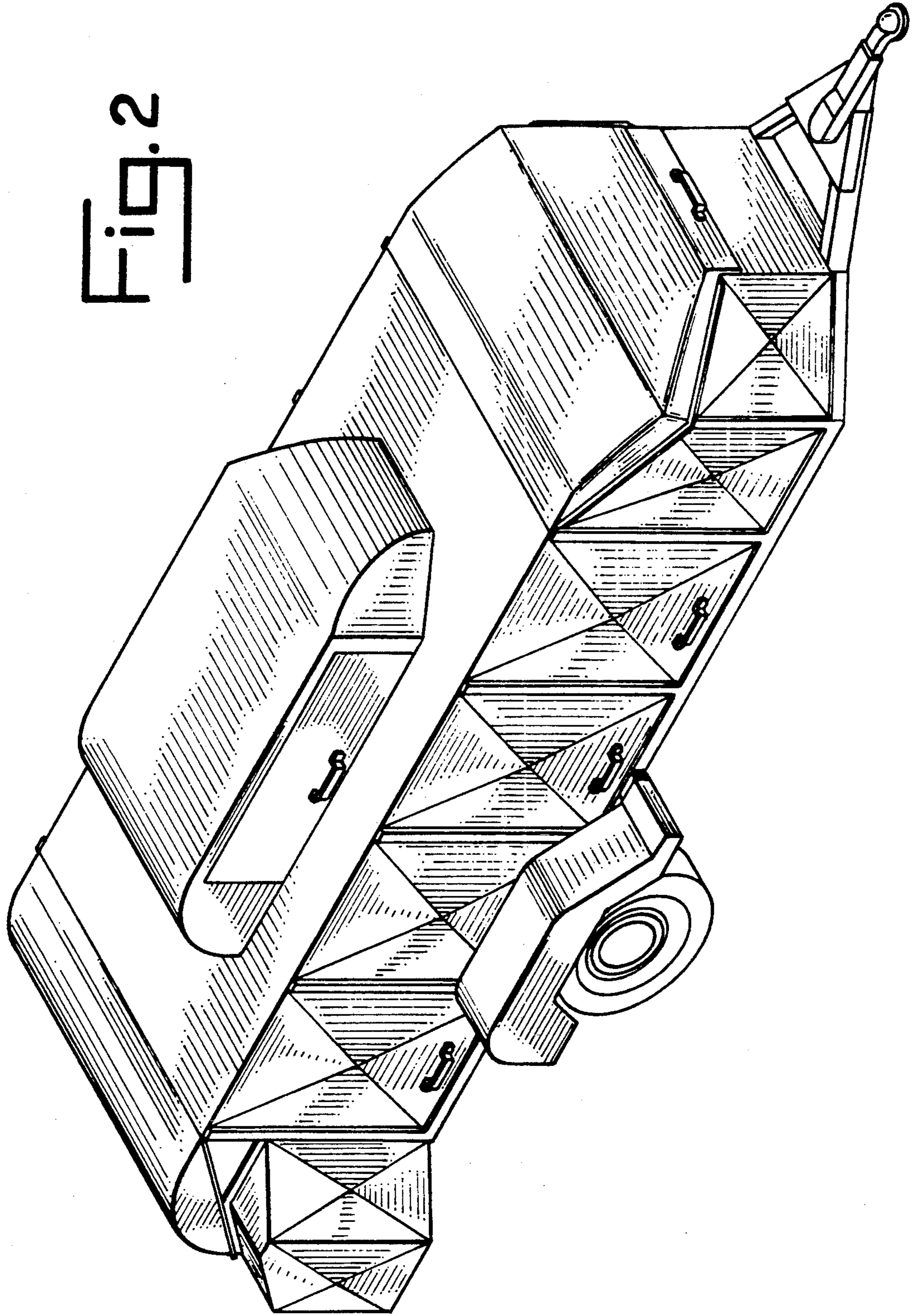


Fig. 3

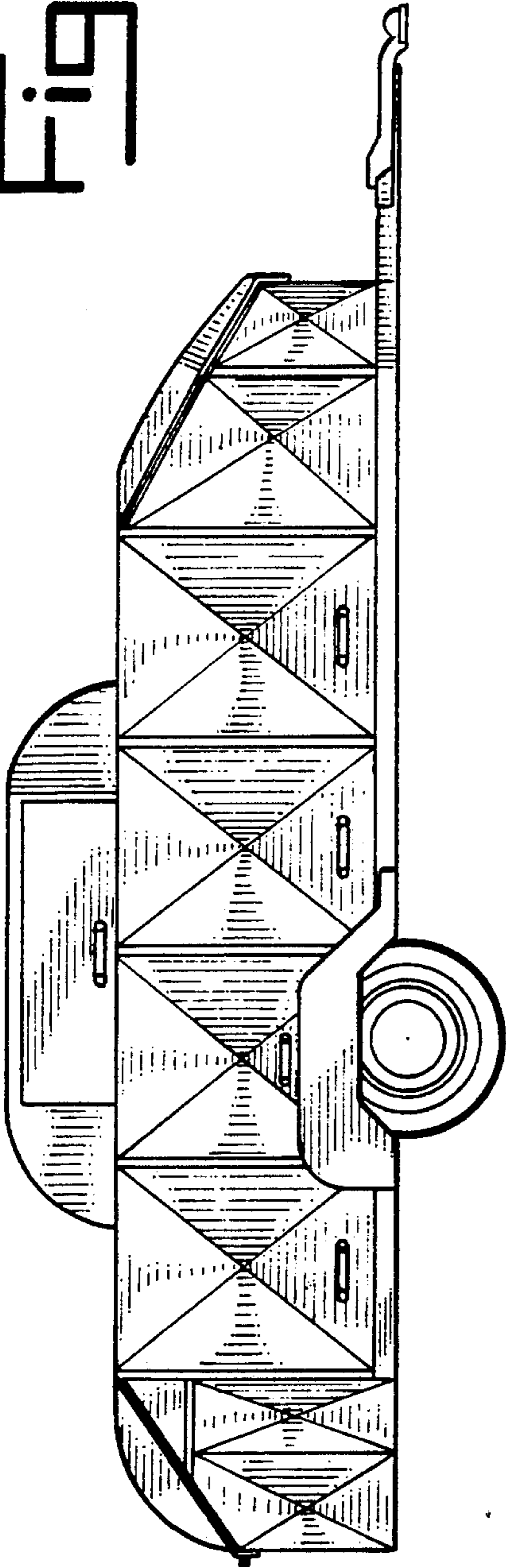
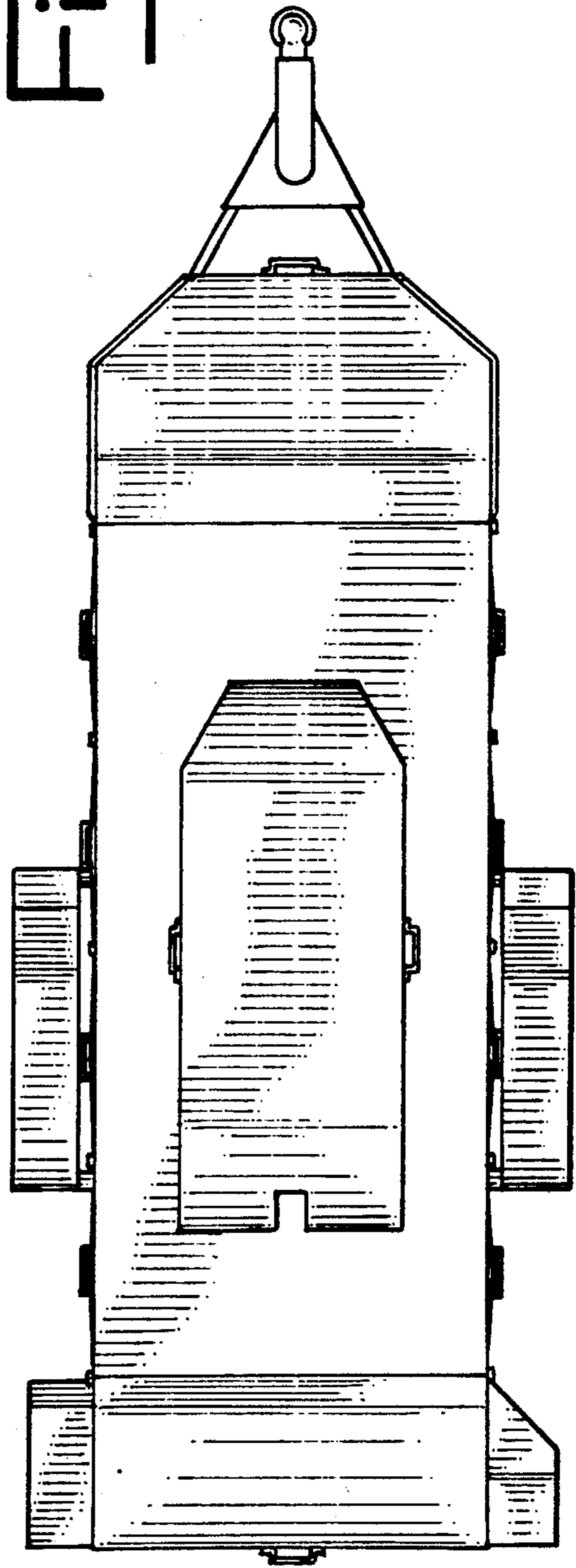


Fig. 4



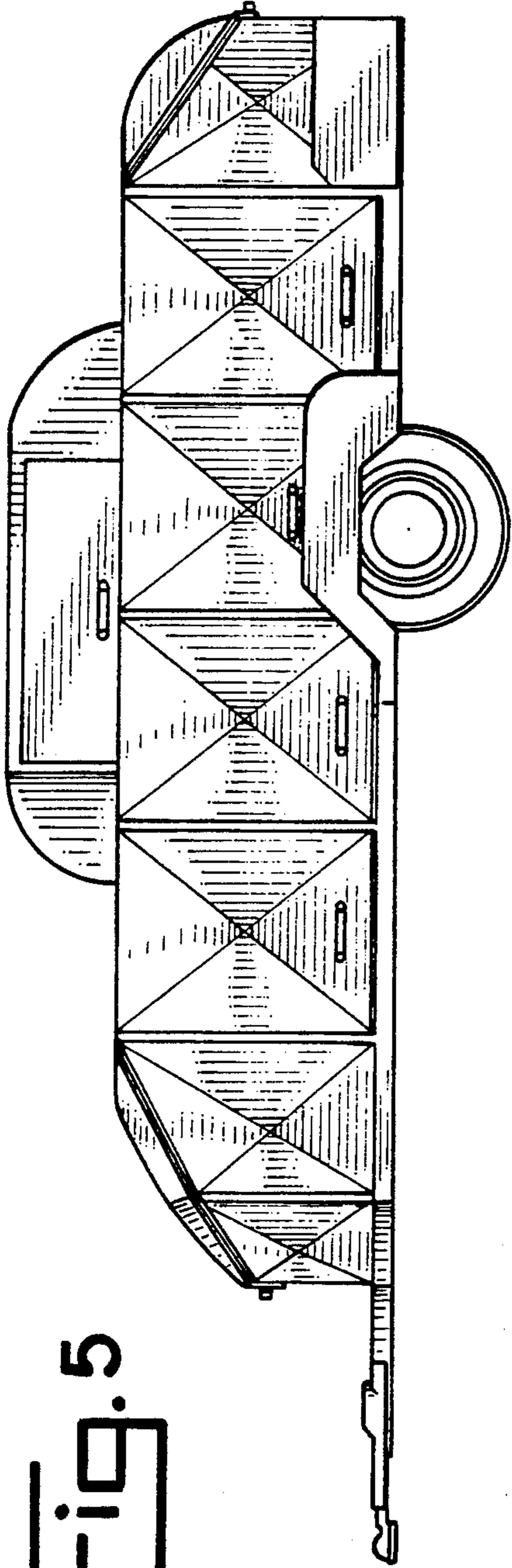


Fig. 5

Fig. 7

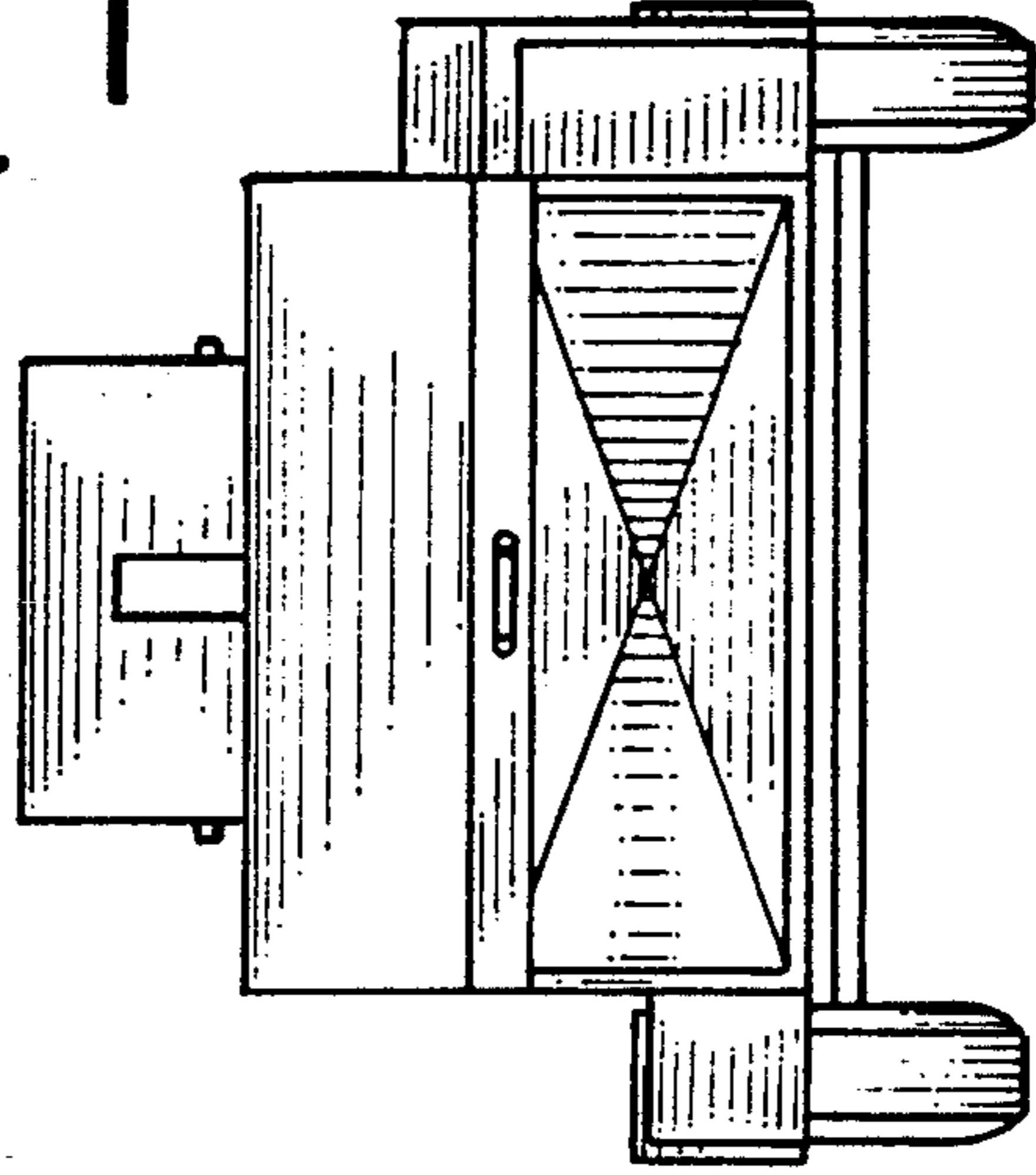


Fig. 6

