



US00D334684S

United States Patent [19]

Hoffmann

[11] Patent Number: **Des. 334,684**

[45] Date of Patent: **** Apr. 13, 1993**

[54] **AUTOMATIC COFFEE MAKER**

[75] Inventor: **Meinolf Hoffmann,**
Sundern/Sauerland, Fed. Rep. of
Germany

[73] Assignee: **A. Severin & Co. GmbH,**
Sundern/Sauerland, Fed. Rep. of
Germany

[**] Term: **14 Years**

[21] Appl. No.: **626,714**

[22] Filed: **Dec. 12, 1990**

[30] **Foreign Application Priority Data**

Jun. 15, 1990 [DE] Fed. Rep. of Germany DM/016
929

[52] U.S. Cl. **D7/309; D7/310**

[58] Field of Search **D7/300, 305, 308, 309,**
D7/310, 311; 99/279, 280, 284, 285, 286, 288,
289 D, 290-296, 306-315, 323.3

[56] **References Cited**

U.S. PATENT DOCUMENTS

D. 218,191	7/1970	Tevolitz	D7/309
D. 229,897	1/1974	Martin	D7/309
D. 261,344	10/1981	Maass	D7/309
D. 278,200	4/1985	Dahlberg	D7/309 X
D. 291,525	8/1987	Classen	D7/309
D. 300,596	4/1989	Eugster	D7/309
3,592,125	7/1971	Tolmie et al.	D7/309 X
4,721,034	1/1988	Shimomura	99/280

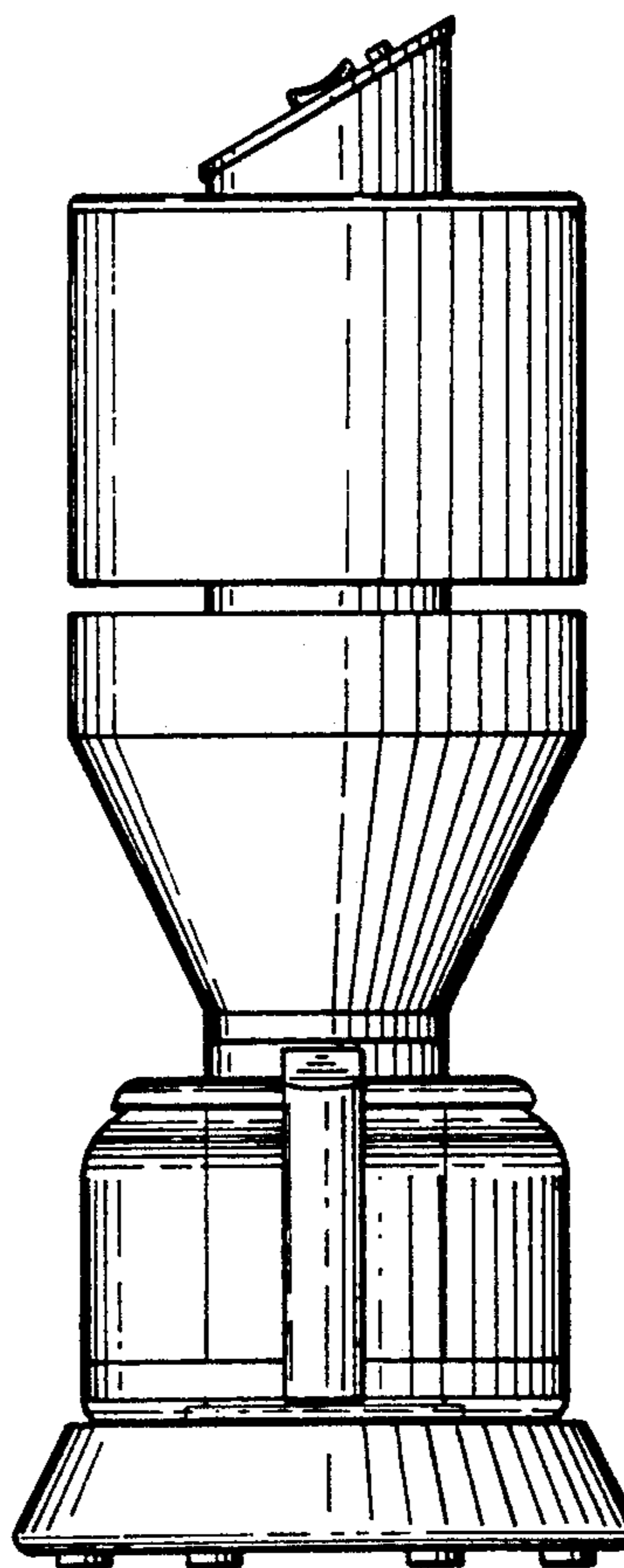
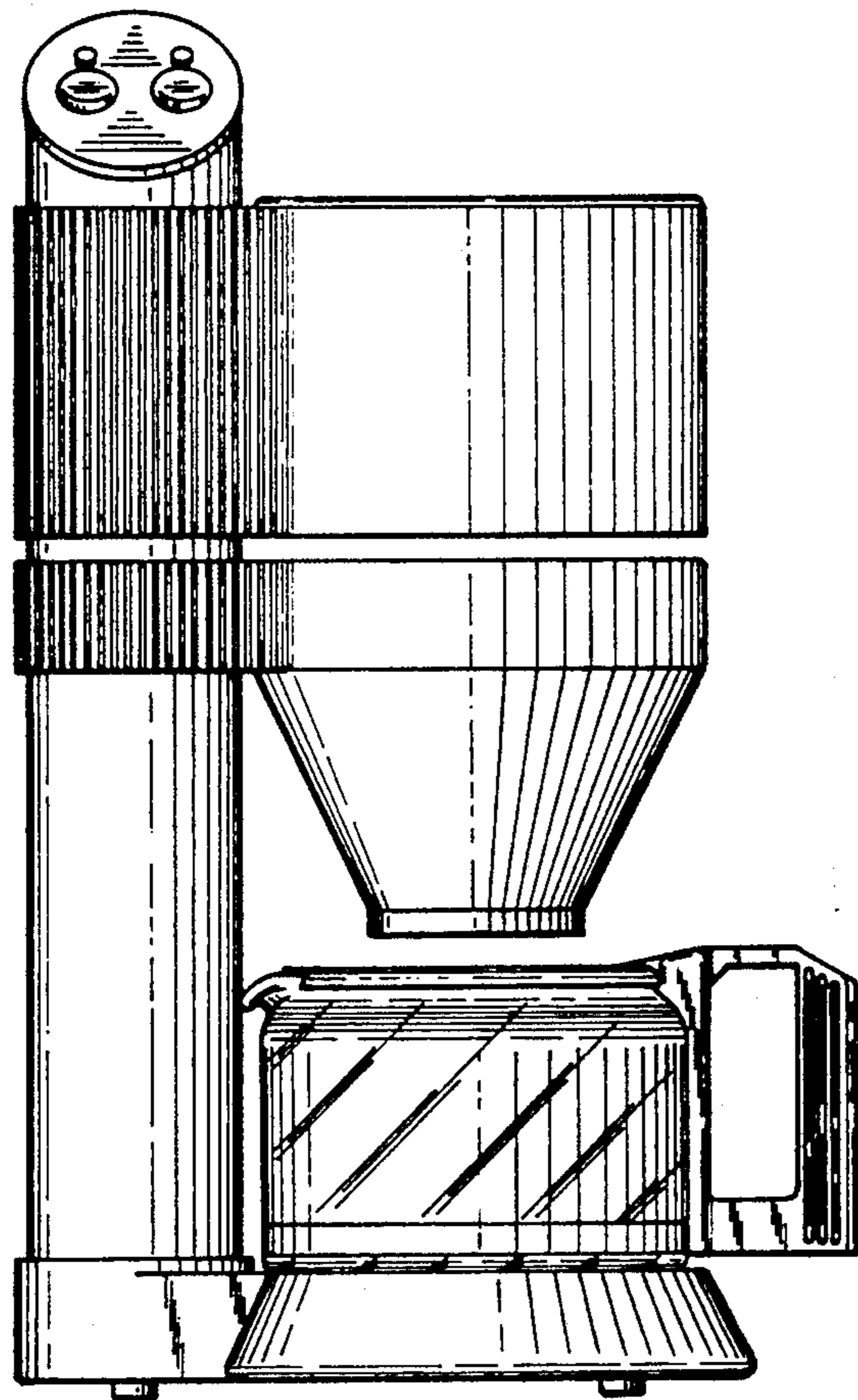
Primary Examiner—Alan P. Douglas
Assistant Examiner—Caron D. Veynar
Attorney, Agent, or Firm—Herbert Dubno; Ronald
Lianides

[57] **CLAIM**

The ornamental design for an automatic coffee maker,
as shown and described.

DESCRIPTION

FIG. 1 is a front elevational view of the automatic coffee maker showing my new design;
FIG. 2 is a rear elevational view thereof;
FIG. 3 is a left-side elevational view thereof;
FIG. 4 is a right-side elevational view thereof; and,
FIG. 5 is a top plan view thereof, the bottom being plain and unornamented.



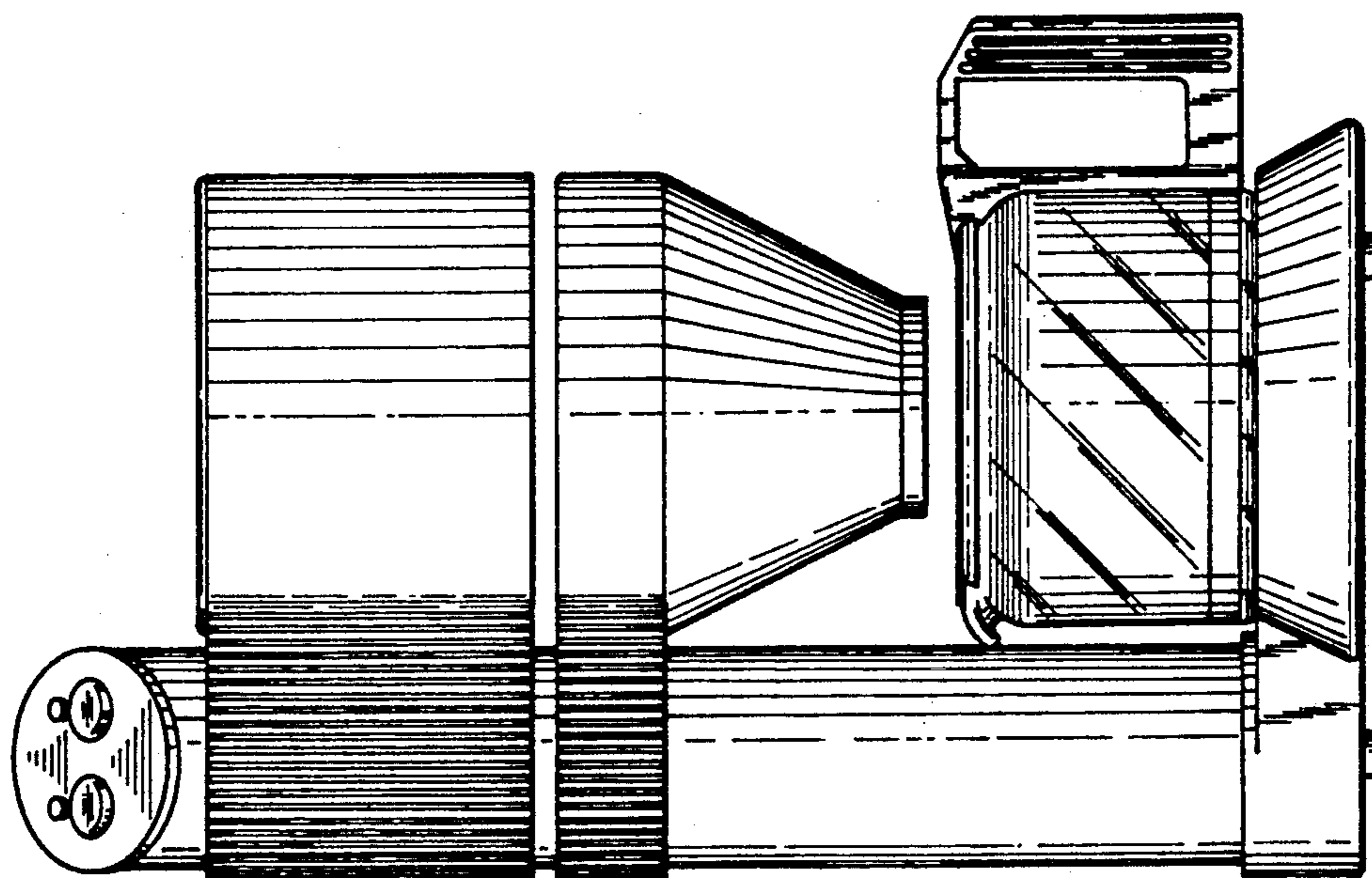


FIG. 1

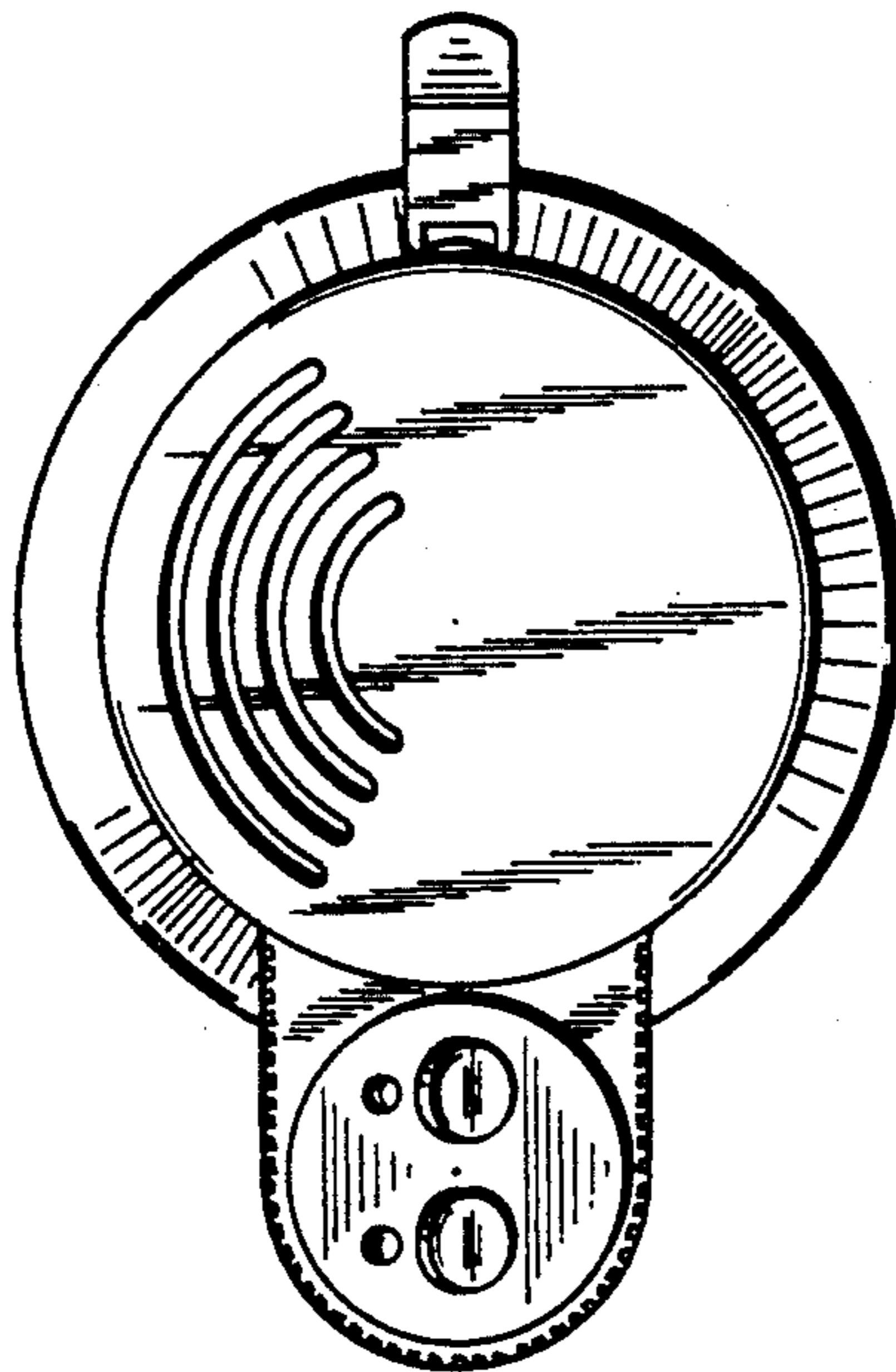


FIG. 5

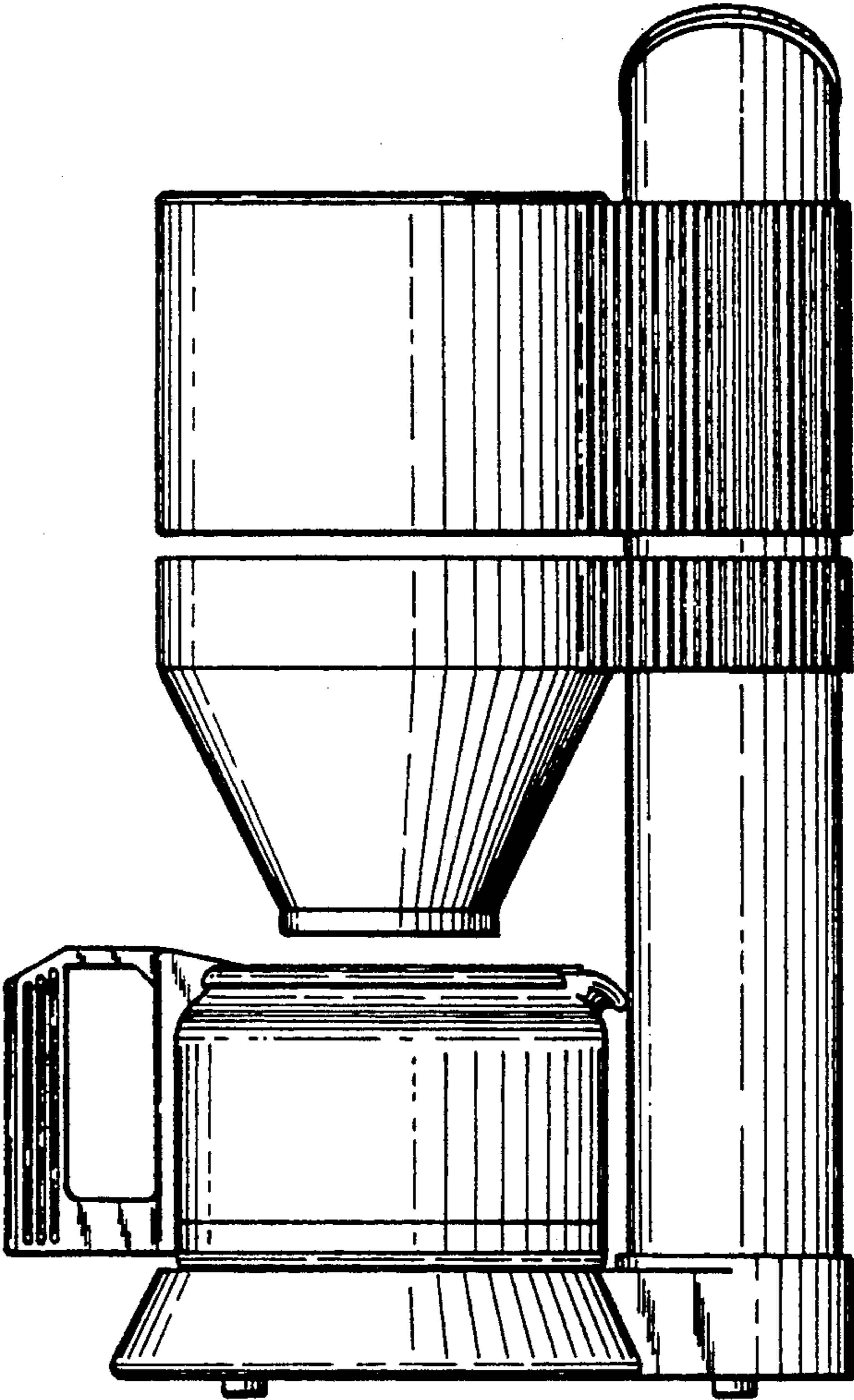


FIG. 2

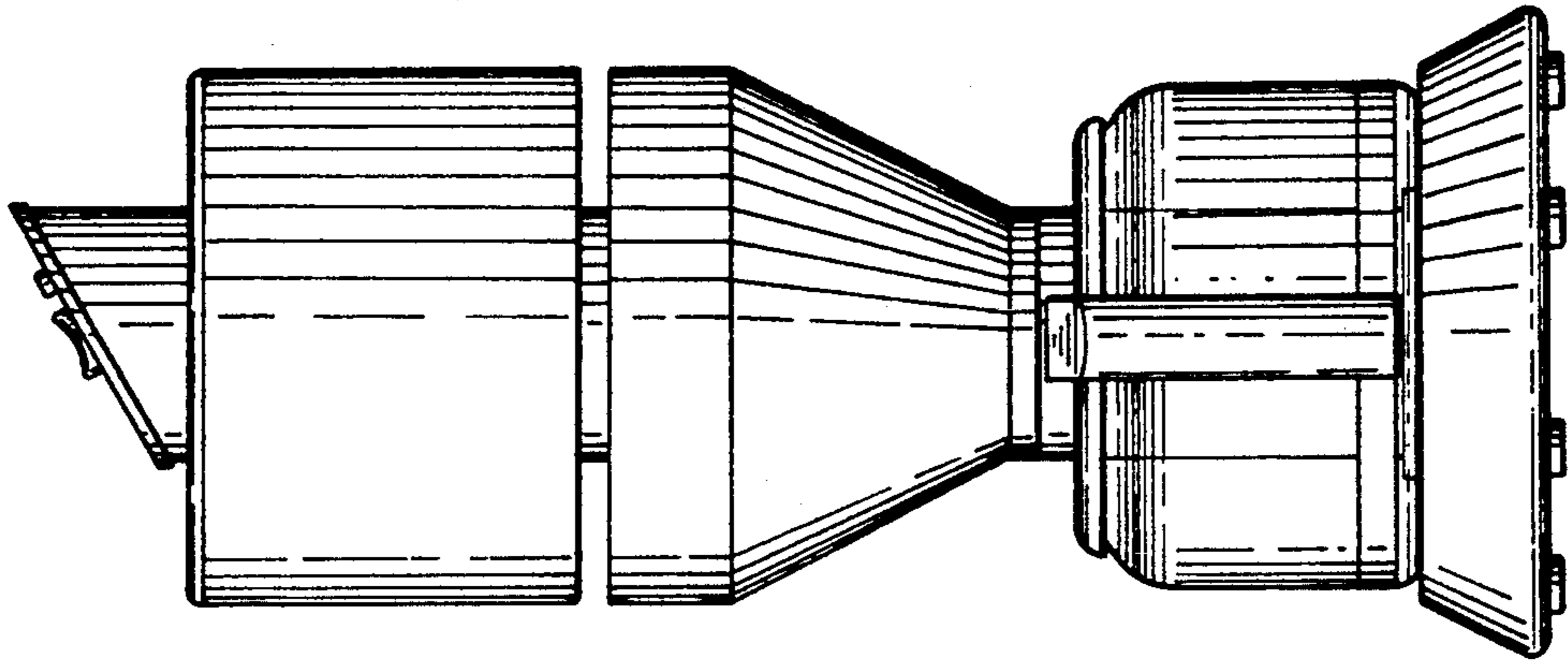


FIG. 4

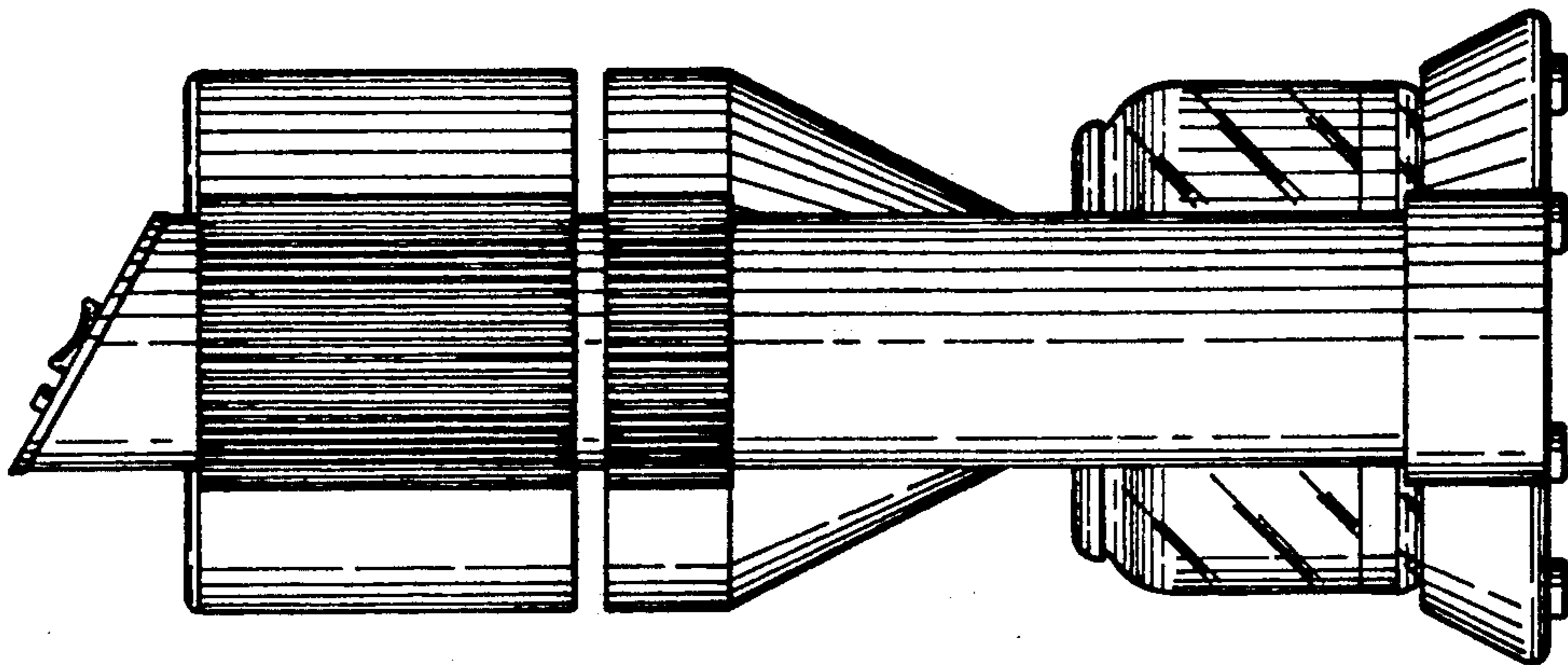


FIG. 3