



US00D334680S

United States Patent [19]

[11] Patent Number: **Des. 334,680**

Röck et al.

[45] Date of Patent: **** Apr. 13, 1993**

[54] DRAWER

D. 298,708	11/1988	Njgren	D6/491
2,842,420	7/1958	Hansen et al.	D6/510 X
4,425,013	1/1984	Killen	D6/510 X

[75] Inventors: **Erich Röck, Höchst; Klaus Brüstle, Lauterach, both of Austria**

Primary Examiner—Nelson C. Holtje
Assistant Examiner—J. E. Seeger
Attorney, Agent, or Firm—Wenderoth, Lind & Ponack

[73] Assignee: **Julius Blum Gesellschaft m.b.H., Höchst, Austria**

[**] Term: **14 Years**

[57] **CLAIM**

[21] Appl. No.: **688,693**

The ornamental design for a drawer, as shown and described.

[22] Filed: **Apr. 22, 1991**

DESCRIPTION

Related U.S. Application Data

[63] Continuation of Ser. No. 86,586, Aug. 18, 1987, abandoned.

FIG. 1 is a top plan view of a drawer showing our new design;

[52] U.S. Cl. **D6/510**

FIG. 2 is a side elevational view thereof on an enlarged scale, the opposite side being a mirror image thereof;

[58] Field of Search D6/491, 509-511;
312/330.1, 348.1, 348.4

FIG. 3 is a rear elevational view thereof on an enlarged scale;

[56] **References Cited**

U.S. PATENT DOCUMENTS

D. 255,632	7/1980	Litchfield et al.	D6/510
D. 258,709	3/1981	Litchfield et al.	D6/510
D. 258,792	4/1981	Litchfield et al.	D6/510
D. 264,660	6/1982	Rock et al.	D6/510
D. 267,066	11/1982	Rock et al.	D6/510

FIG. 4 is a perspective view of a cross-section taken along lines 4—4 in FIG. 1 on an enlarged scale;

FIG. 5 is a partial cross-sectional view taken along lines 5—5 in FIG. 1 on an enlarged scale; and,

FIG. 6 is a front elevational view thereof.

The design is characterized by the particular parallel side panels in combination with the vertical back member and solid base panel, all as best illustrated in FIGS. 2 and 4.

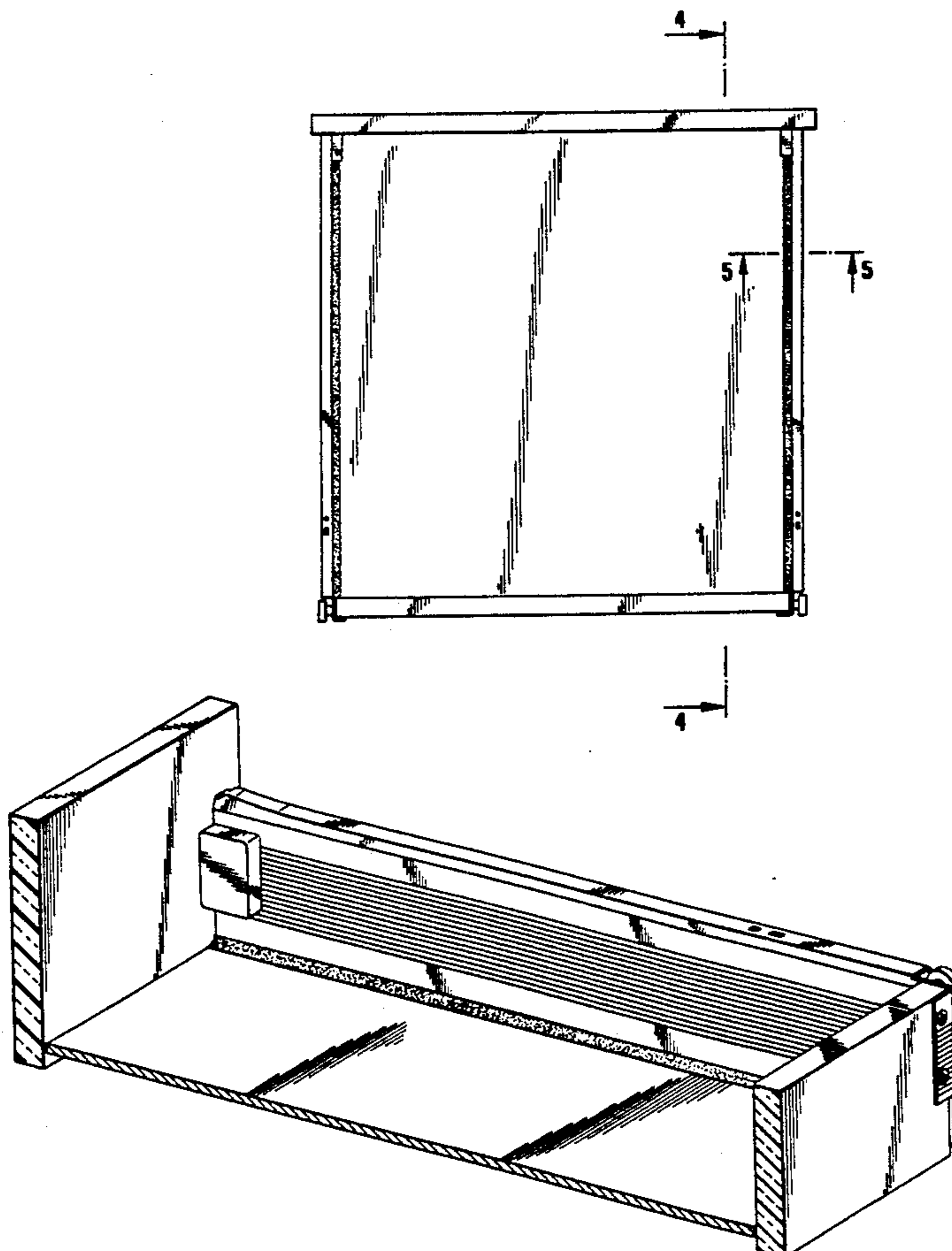


Fig. 1

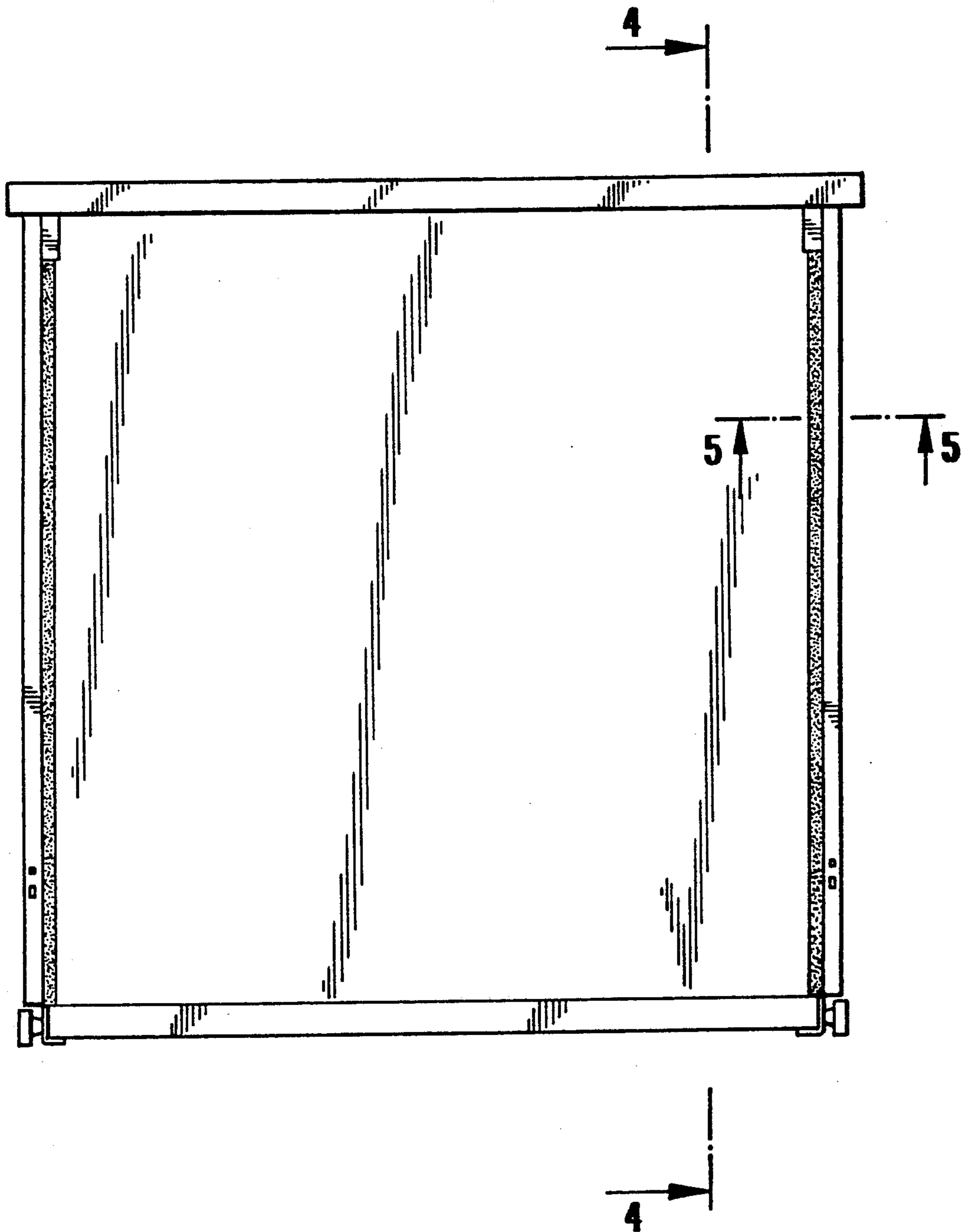


Fig. 2

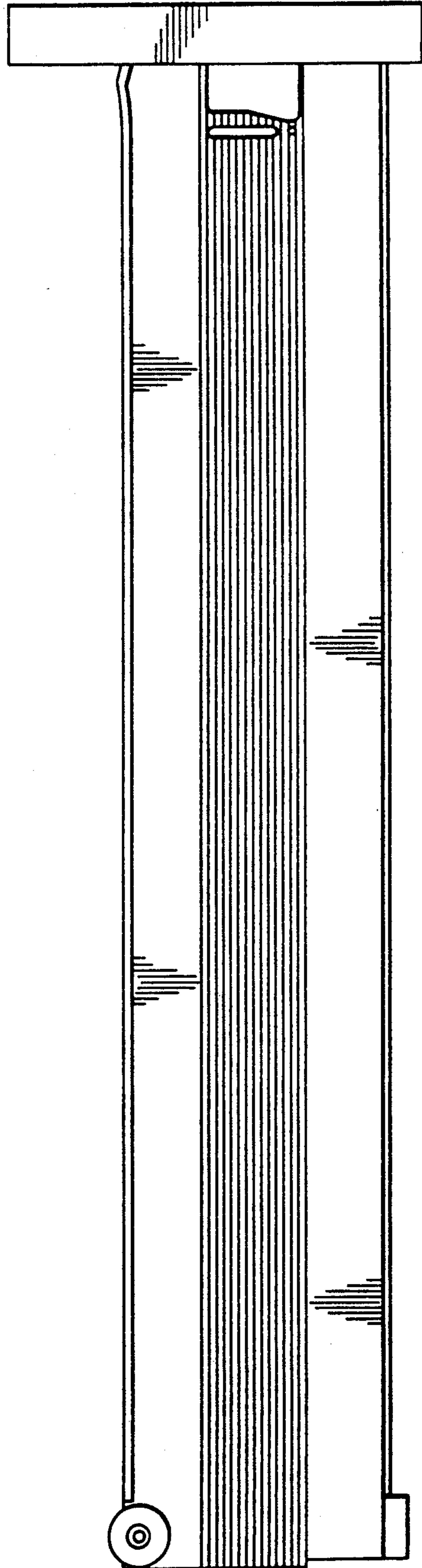


Fig. 3

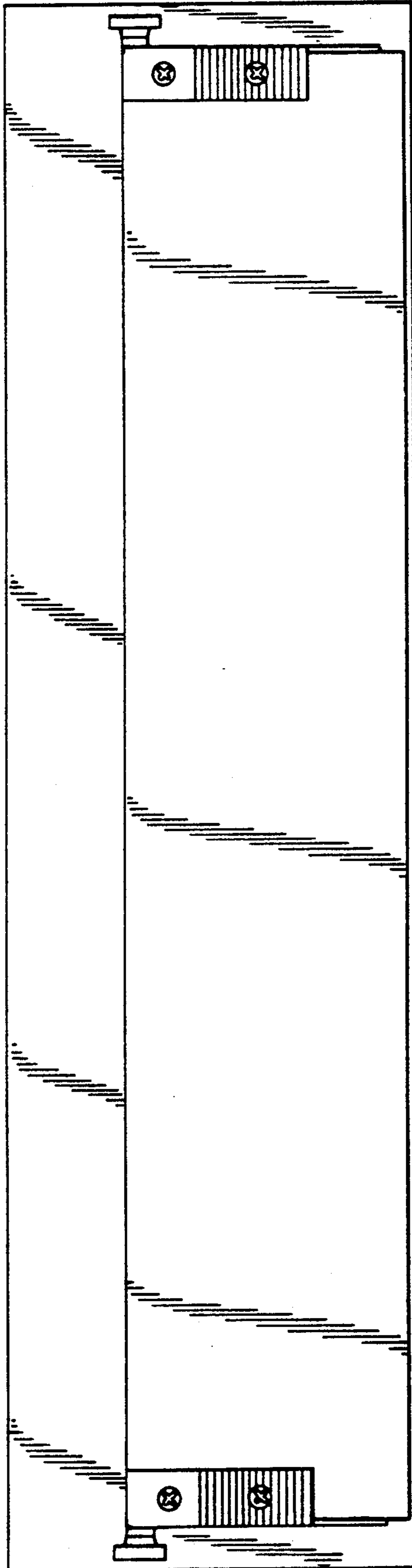


Fig. 4.

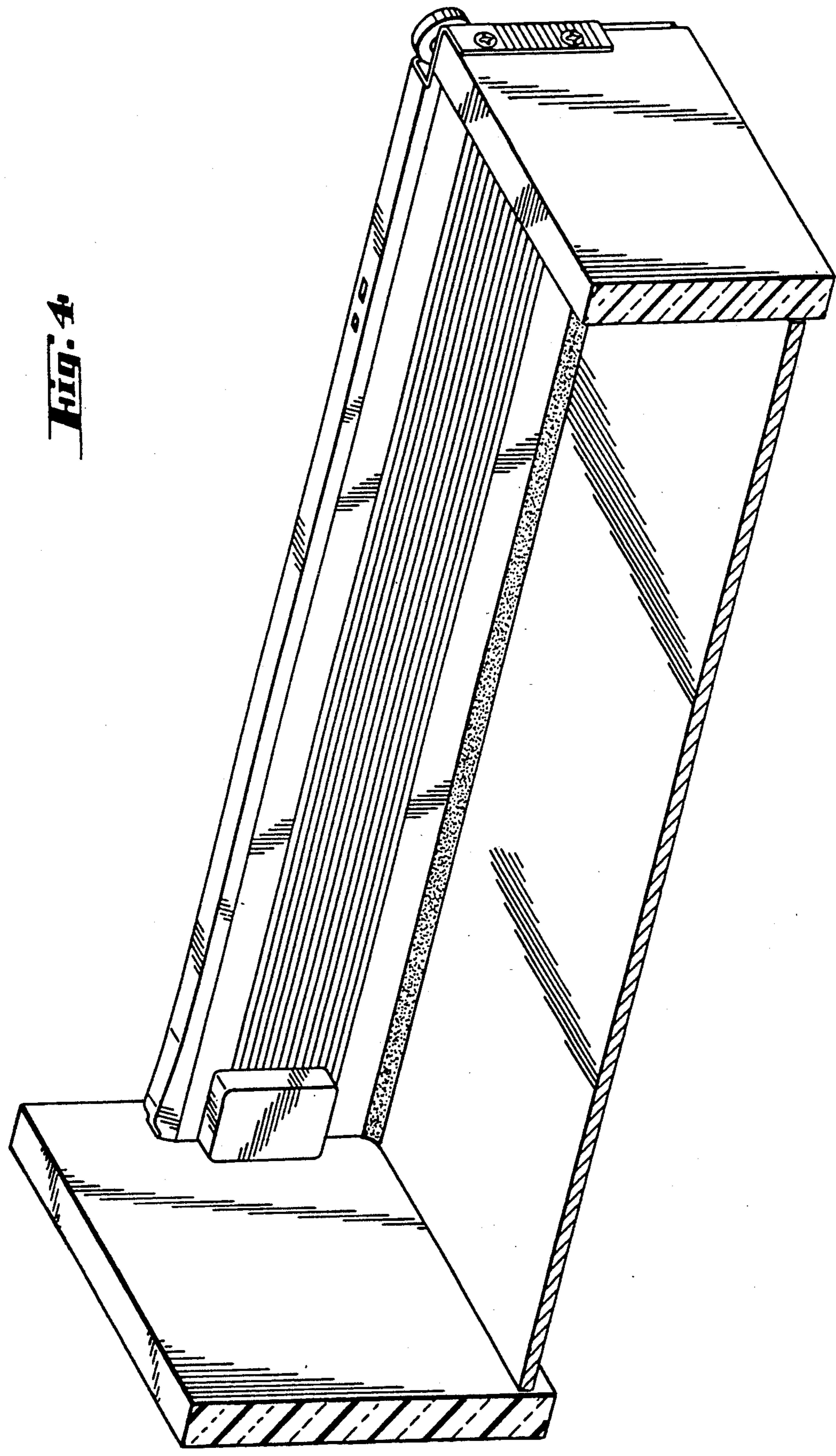


Fig. 5

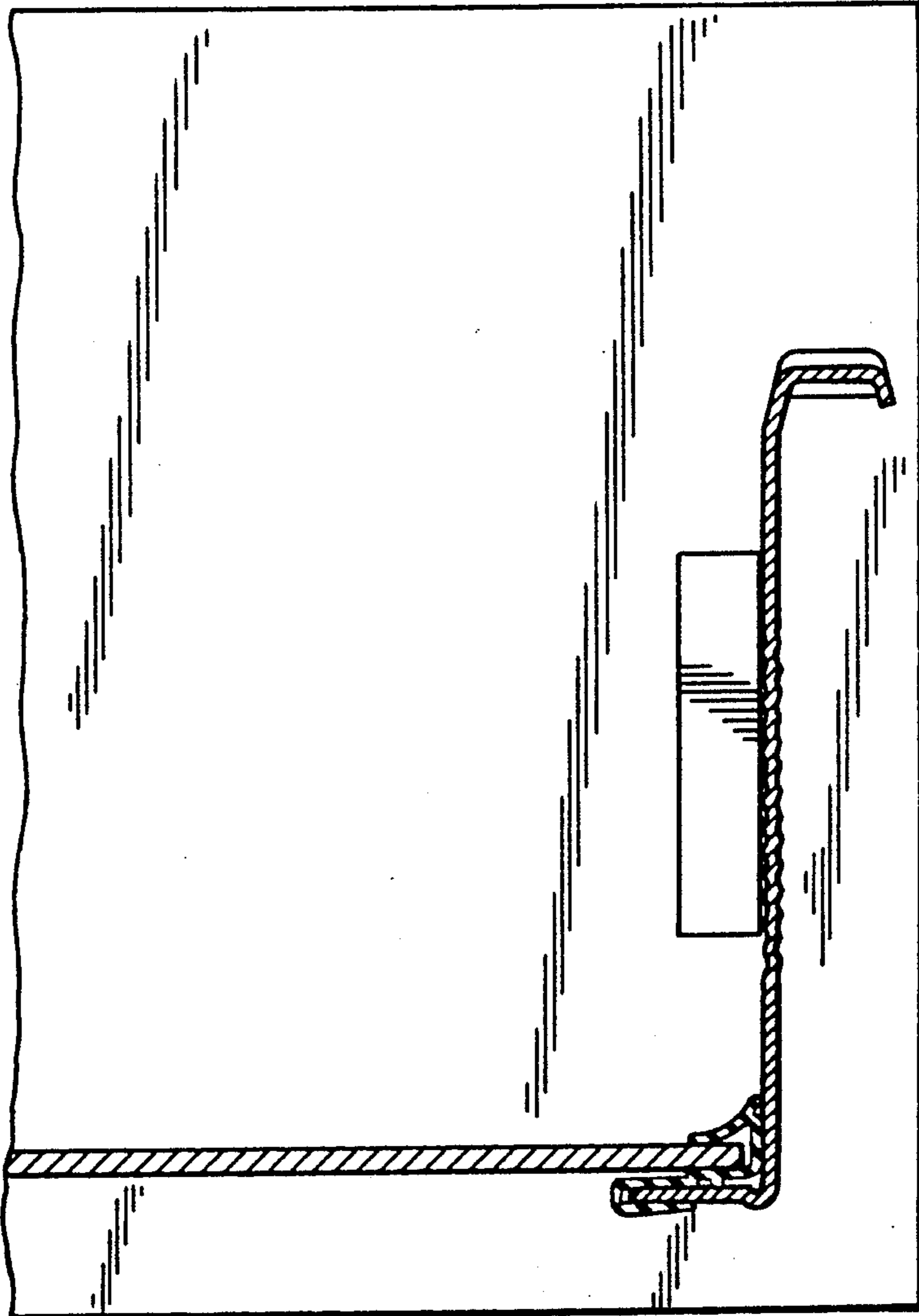


Fig. 6

