



US00D334677S

# United States Patent [19]

[11] Patent Number: **Des. 334,677**

Hinden

[45] Date of Patent: **\*\* Apr. 13, 1993**

[54] **TABLE**

[75] Inventor: **Peter Hinden, Remigen, Switzerland**

[73] Assignee: **Embru-Werke, Mantel & Cie., Switzerland**

[\*\*] Term: **14 Years**

[21] Appl. No.: **444,379**

[22] Filed: **Nov. 30, 1989**

[30] **Foreign Application Priority Data**

May 30, 1989 [CH] Switzerland ..... 117.462

[52] U.S. Cl. .... **D6/484; D6/487**

[58] Field of Search ..... **D6/480, 482-489, D6/495, 496, 498, 499, 429, 397; 108/50, 33, 139, 147, 150, 127**

[56] **References Cited**

**U.S. PATENT DOCUMENTS**

- D. 180,283 5/1957 Hoven ..... D6/487
- D. 248,139 6/1978 Petersen ..... D6/480
- D. 284,532 7/1986 Vogt ..... D6/429 X

- D. 294,666 3/1988 Favaretto et al. .... D6/487
- D. 318,966 8/1991 Schroff et al. .... D6/484 X
- D. 320,320 10/1991 van Ditshuizen ..... D6/484 X

**OTHER PUBLICATIONS**

*Domus*—Apr. 1989, center panel table.  
*Interiors*, Oct. 1988, p. 64, Howe/Diffrient Table.

*Primary Examiner*—Alan P. Douglas  
*Assistant Examiner*—J. E. Seeger  
*Attorney, Agent, or Firm*—Kinzer, Plyer, Dorn, McEachran & Jambor

[57] **CLAIM**

The ornamental design for a table, as shown and described.

**DESCRIPTION**

FIG. 1 is a perspective view of a table, showing my new design;  
FIG. 2 is an end elevational view, the opposite end being a mirror image thereof; and,  
FIG. 3 is a side elevational view, the opposite side being identical thereto.

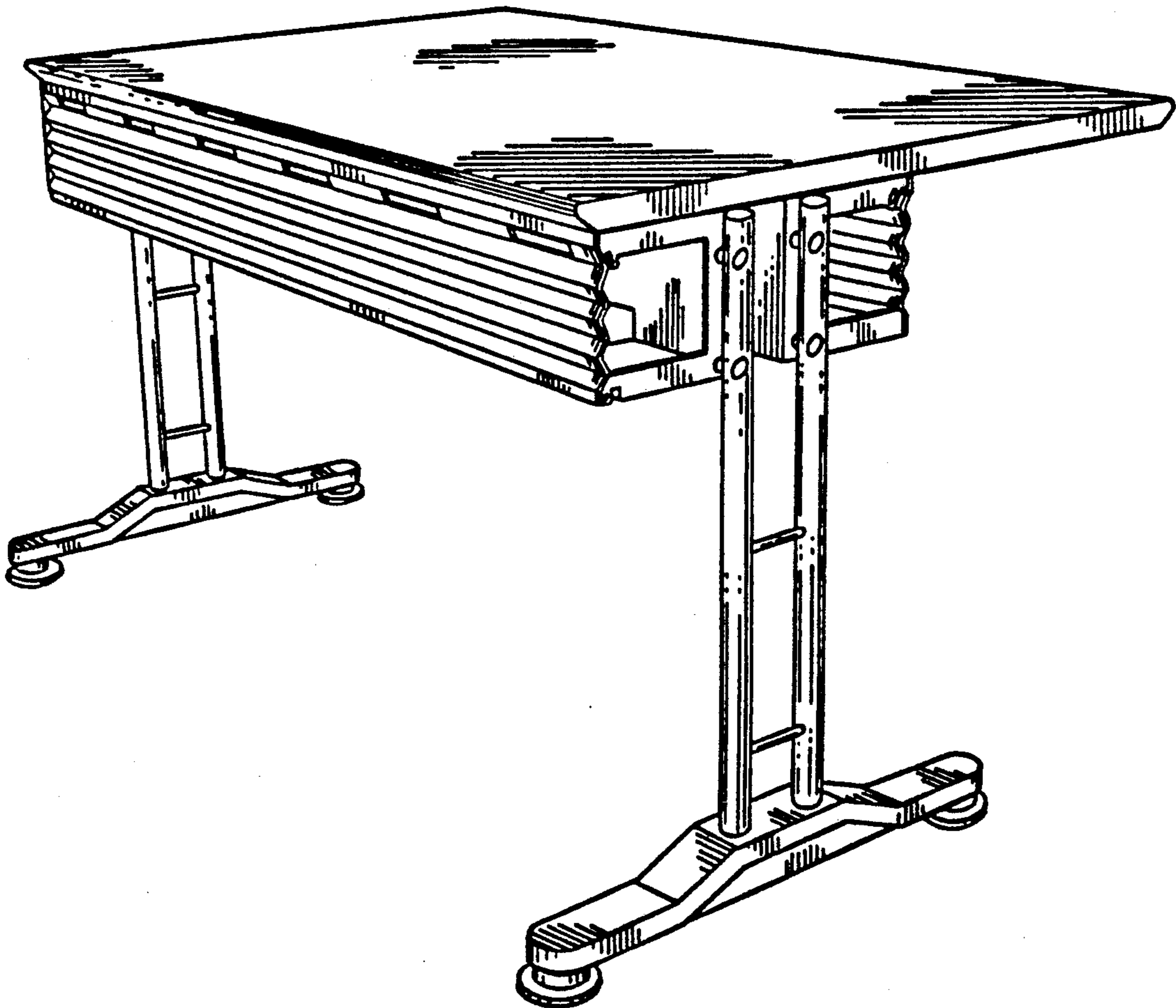
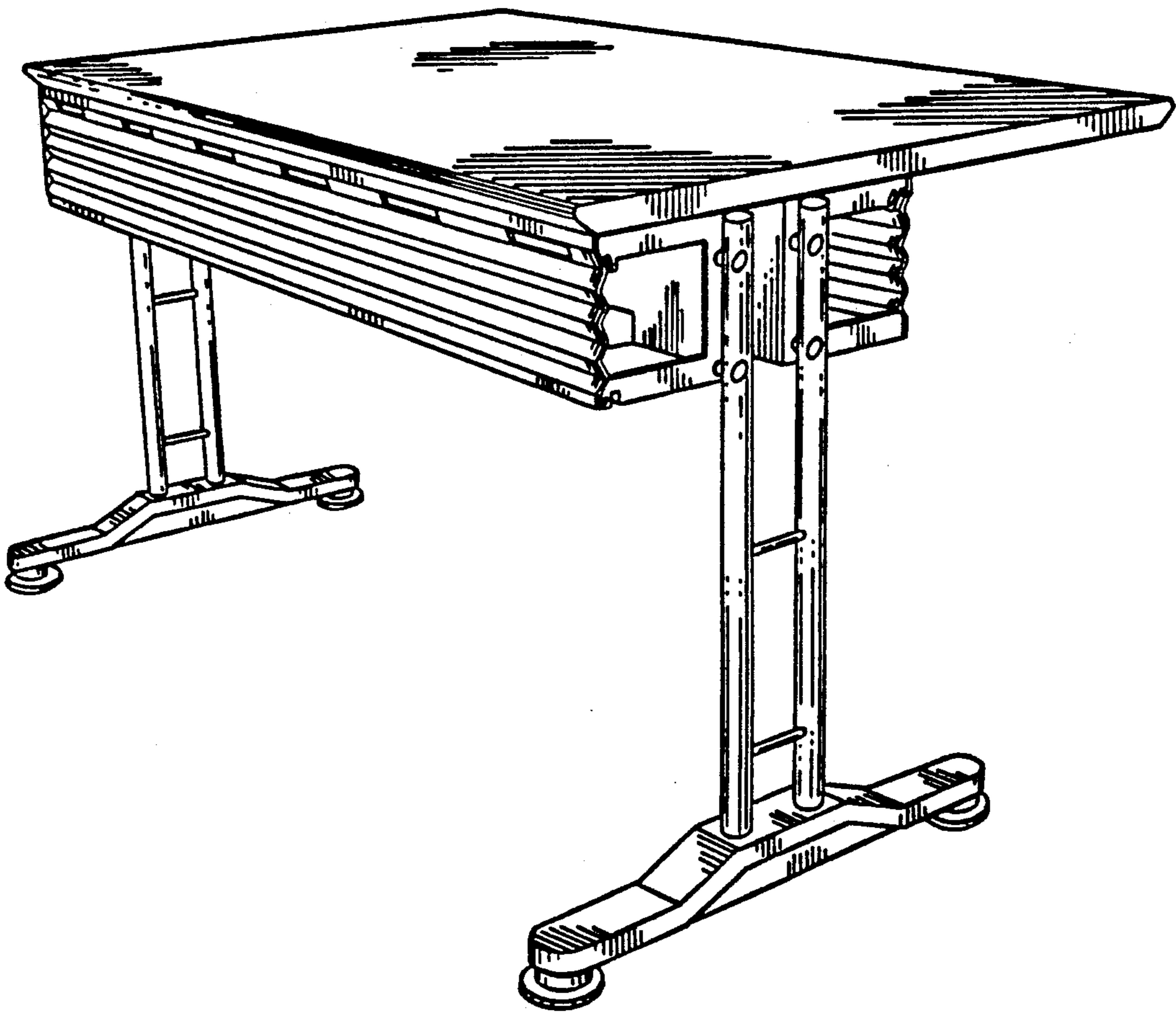


Fig. 1.



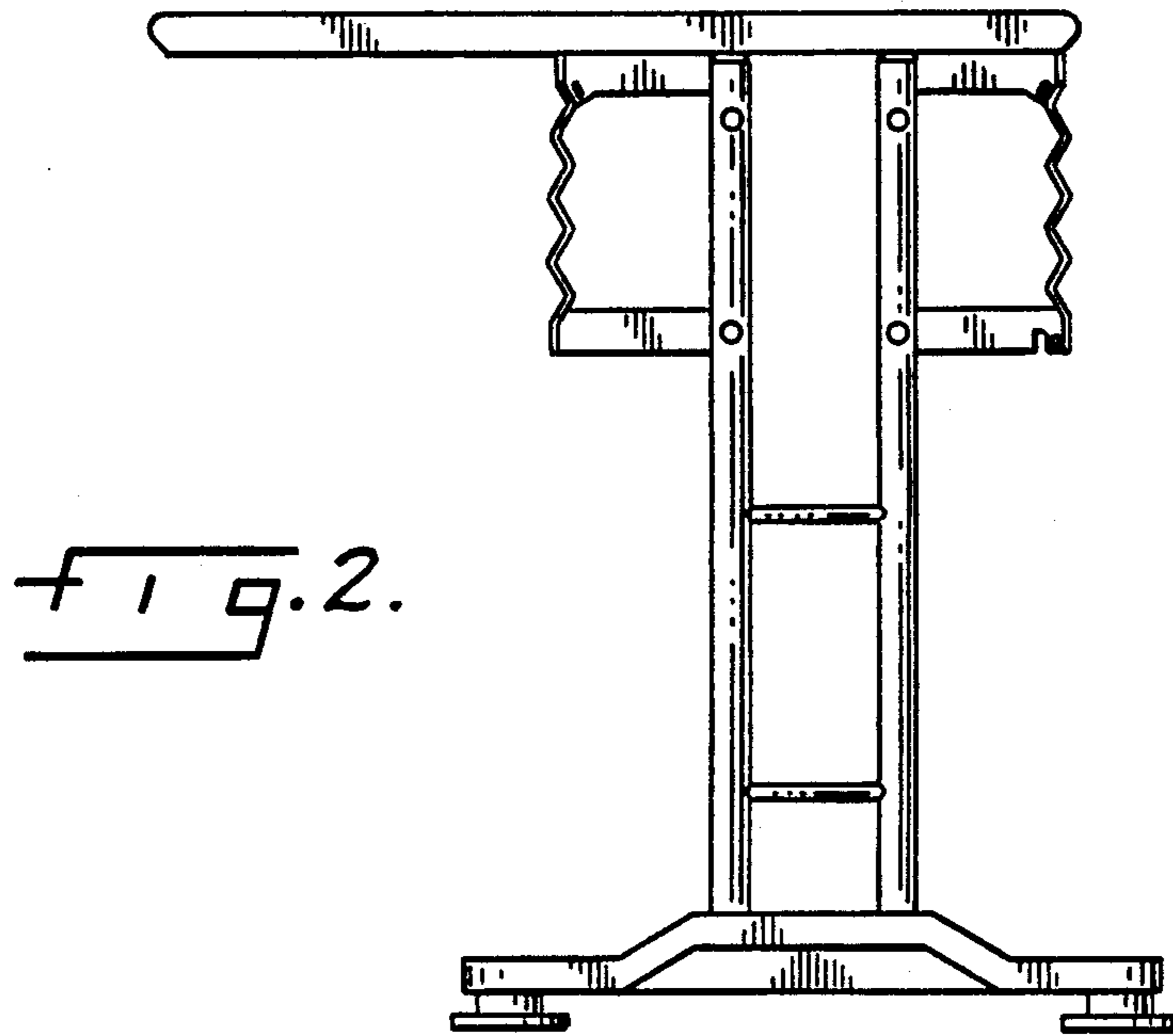


FIG. 2.

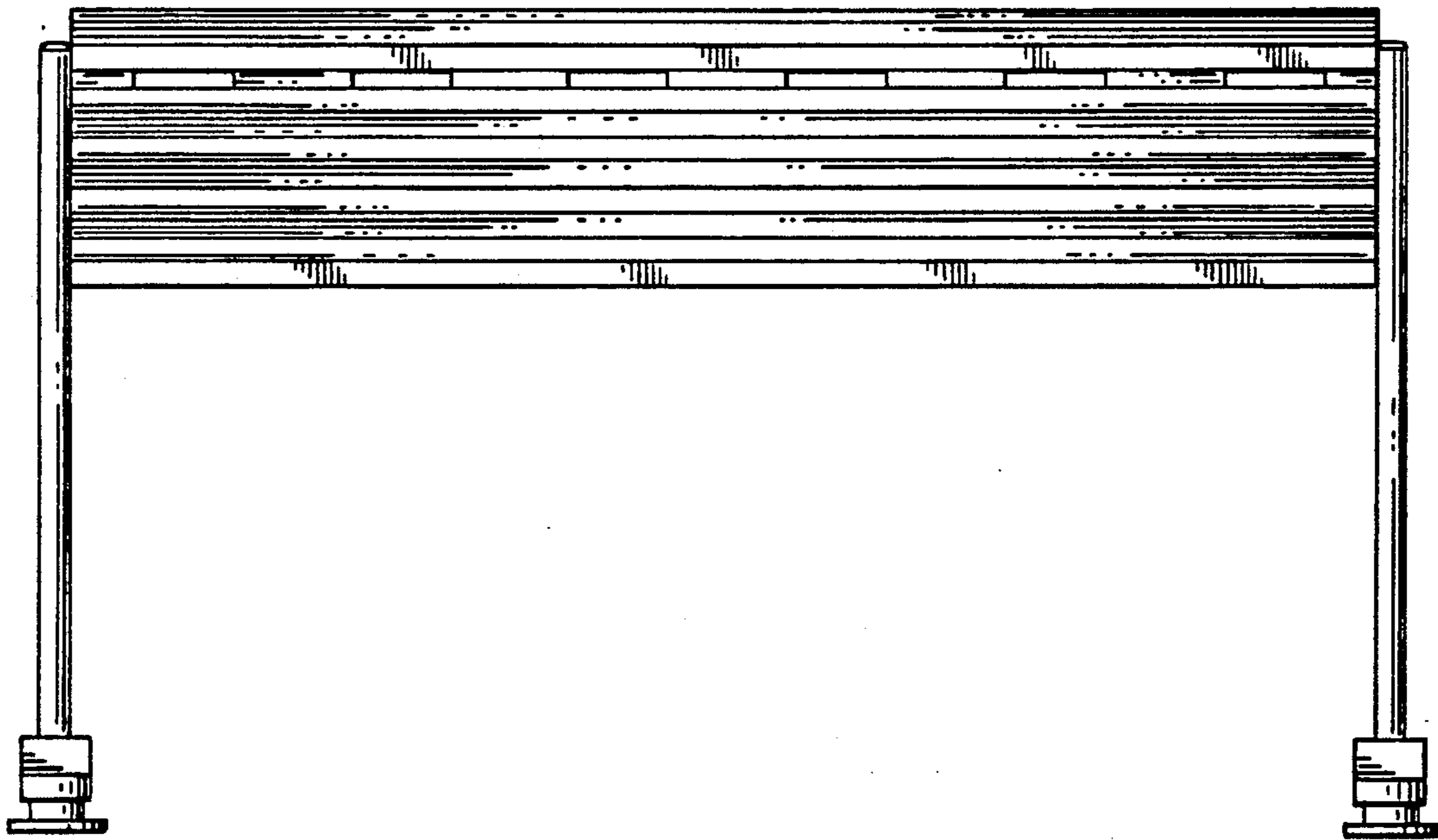


FIG. 3.