



US00D334675S

United States Patent [19]

Evenson

[11] Patent Number: **Des. 334,675**

[45] Date of Patent: **** Apr. 13, 1993**

[54] **MAGAZINE FILE**

[75] Inventor: **Mel Evenson, San Pedro, Calif.**

[73] Assignee: **Rubbermaid Office Products Group, Inc., Maryville, Tenn.**

[**] Term: **14 Years**

[21] Appl. No.: **806,459**

[22] Filed: **Dec. 13, 1991**

[52] U.S. Cl. **D6/475; D6/466; D19/86; D19/90; D19/75**

[58] Field of Search **D6/407, 466, 475; D19/65, 75, 78, 86, 90, 91, 99, 100; 211/10, 11, 40, 42, 45, 50; 206/425**

[56] **References Cited**

U.S. PATENT DOCUMENTS

- D. 259,456 6/1981 Zeischegg et al. D6/475
- D. 266,129 9/1982 Lidstrom D19/90 X
- D. 292,957 12/1987 Brüßing D6/475
- D. 294,317 2/1988 Evenson et al. D6/475

D. 299,389 1/1989 Klodt D6/475 X

D. 305,486 1/1990 Rabig D6/475

D. 309,066 7/1990 Foran et al. D6/466

1,698,249 1/1929 Wiehl 211/40

3,592,344 7/1971 Schade 211/42 X

Primary Examiner—Nelson C. Holtje

Assistant Examiner—Martha Thompson

Attorney, Agent, or Firm—Richard B. O'Planick

[57] CLAIM

The ornamental design for a magazine file, as shown and described.

DESCRIPTION

FIG. 1 is a top plan view of a magazine file showing my new design;

FIG. 2 is a bottom plan view;

FIG. 3 is a front elevational view;

FIG. 4 is a rear elevational view;

FIG. 5 is a side elevational view, the other side being a mirror image; and,

FIG. 6 is a perspective view of FIGS. 1 through 5 thereof.

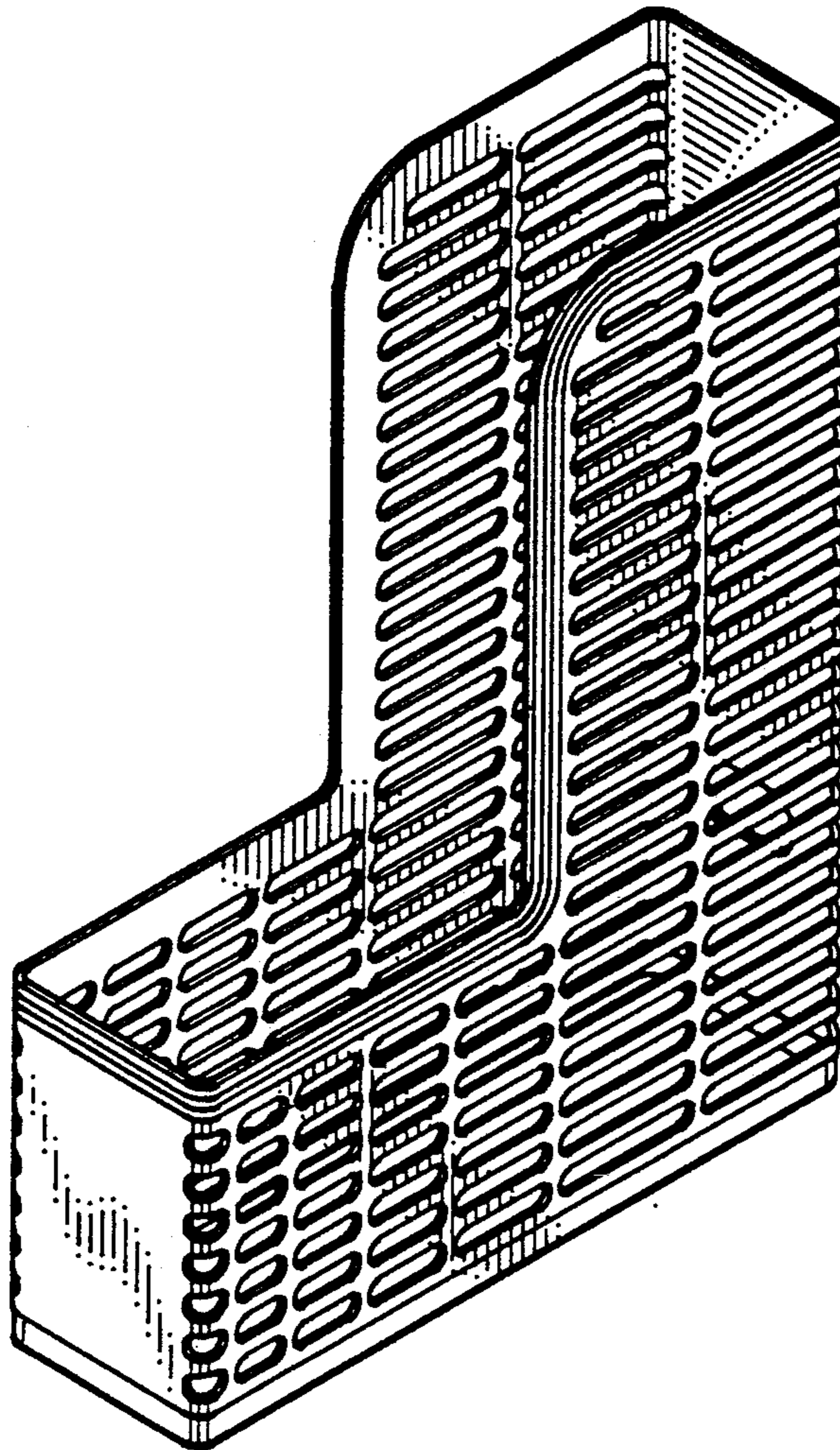


FIG. 1

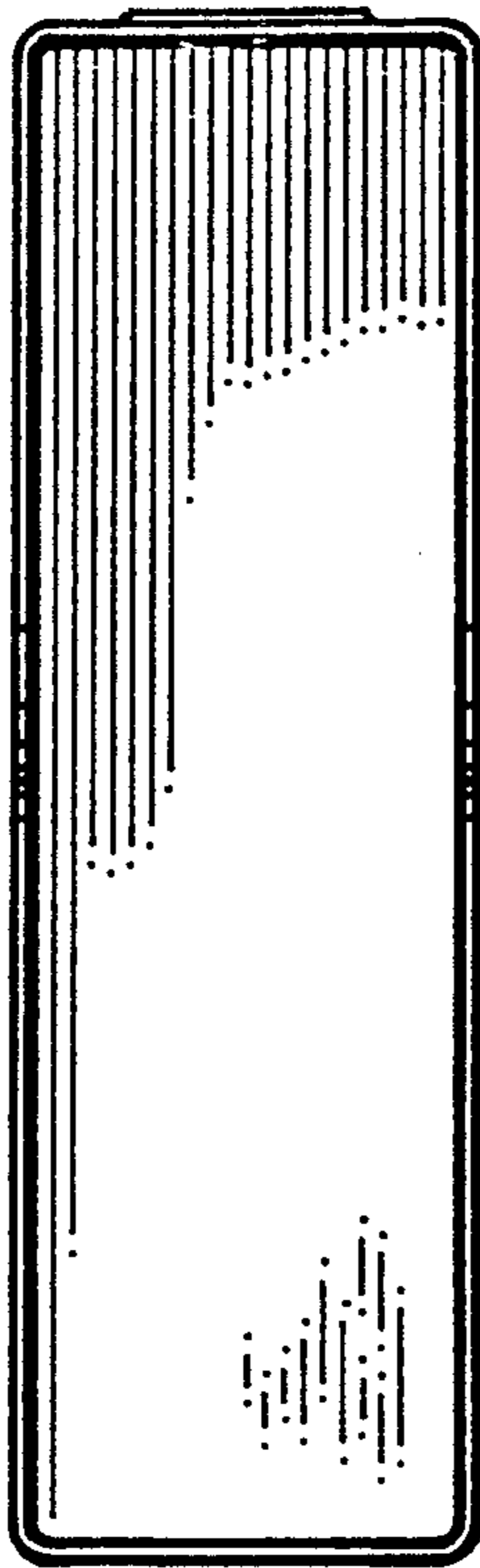


FIG. 2



FIG. 3

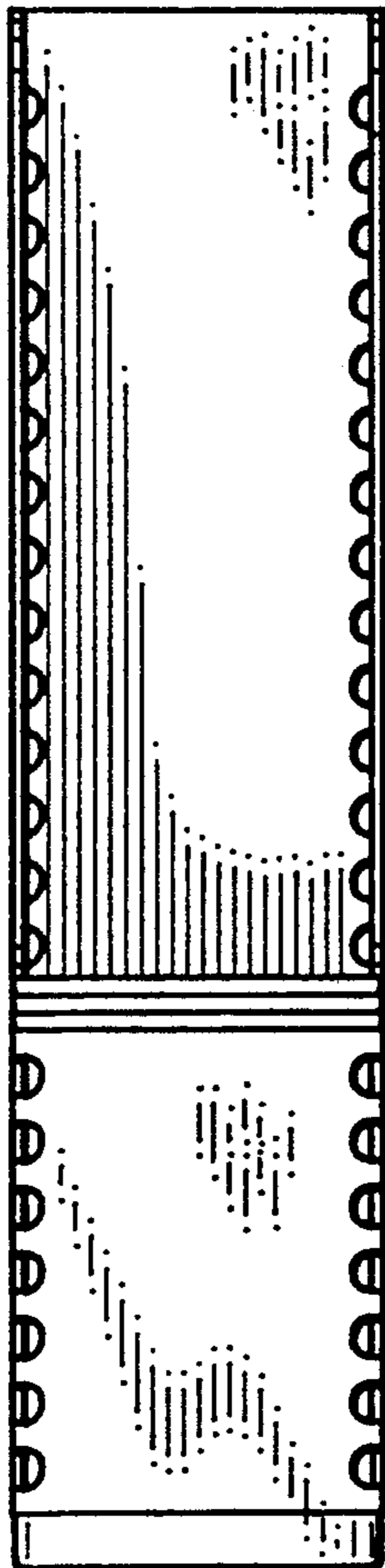


FIG. 4

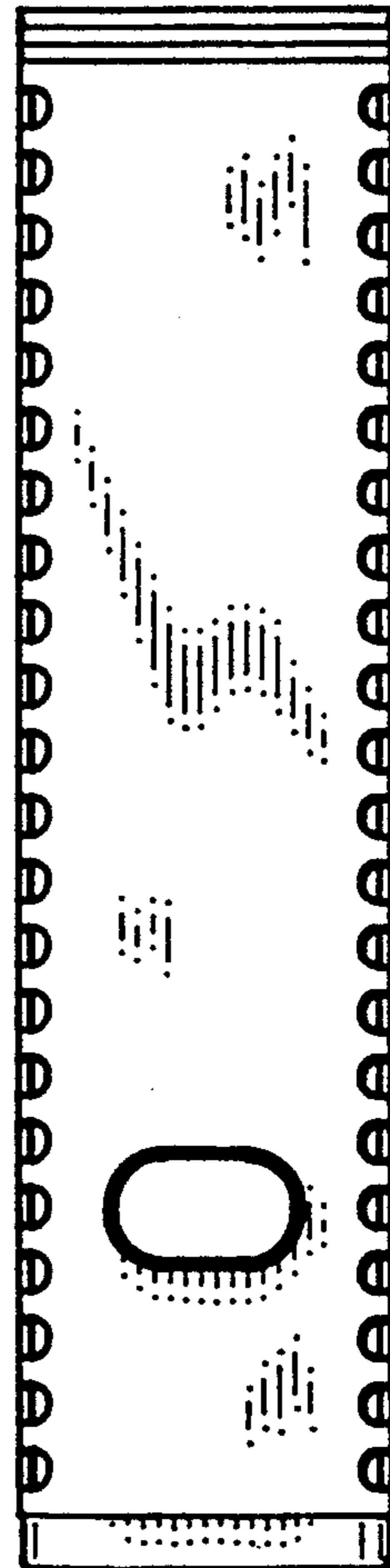
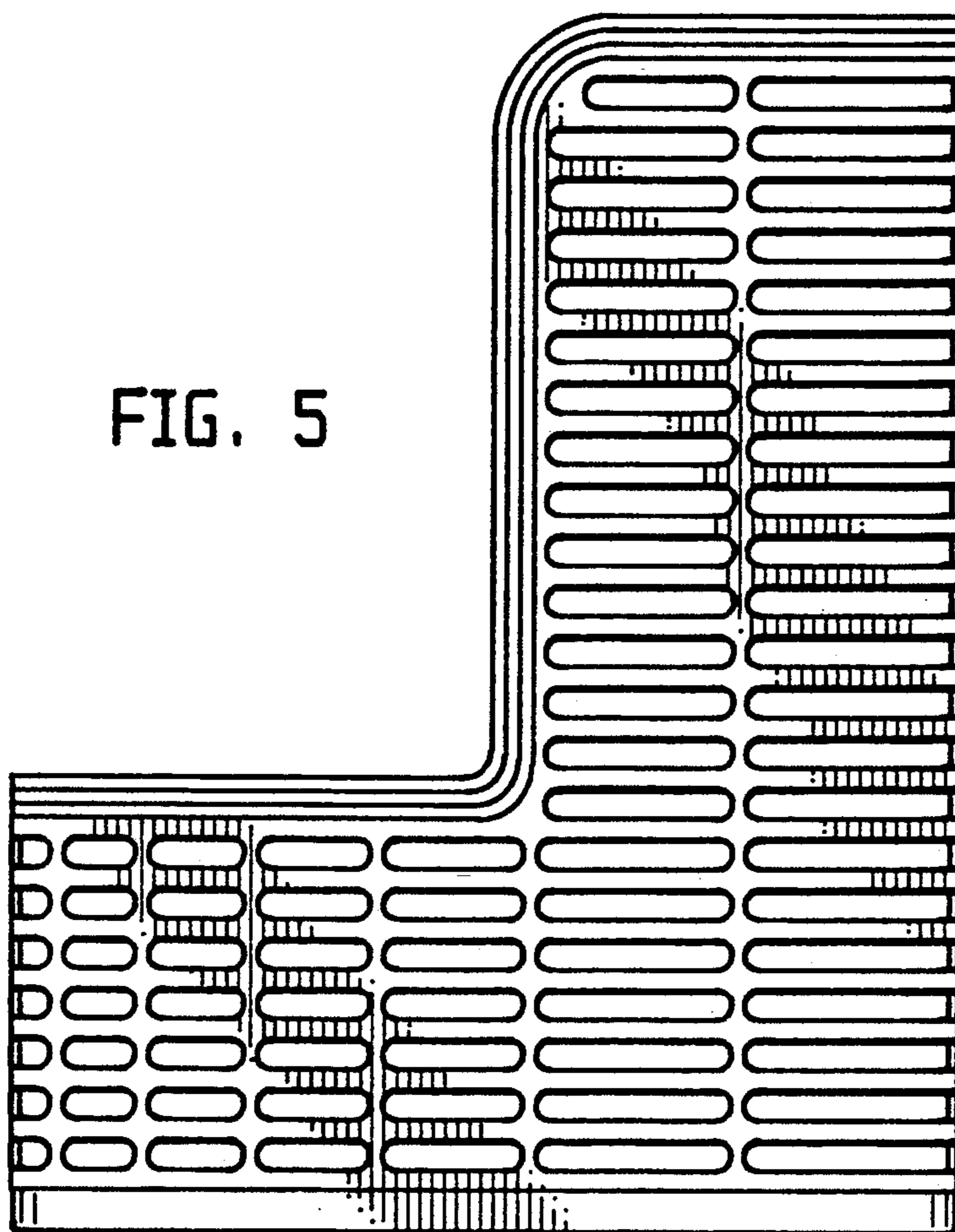


FIG. 5



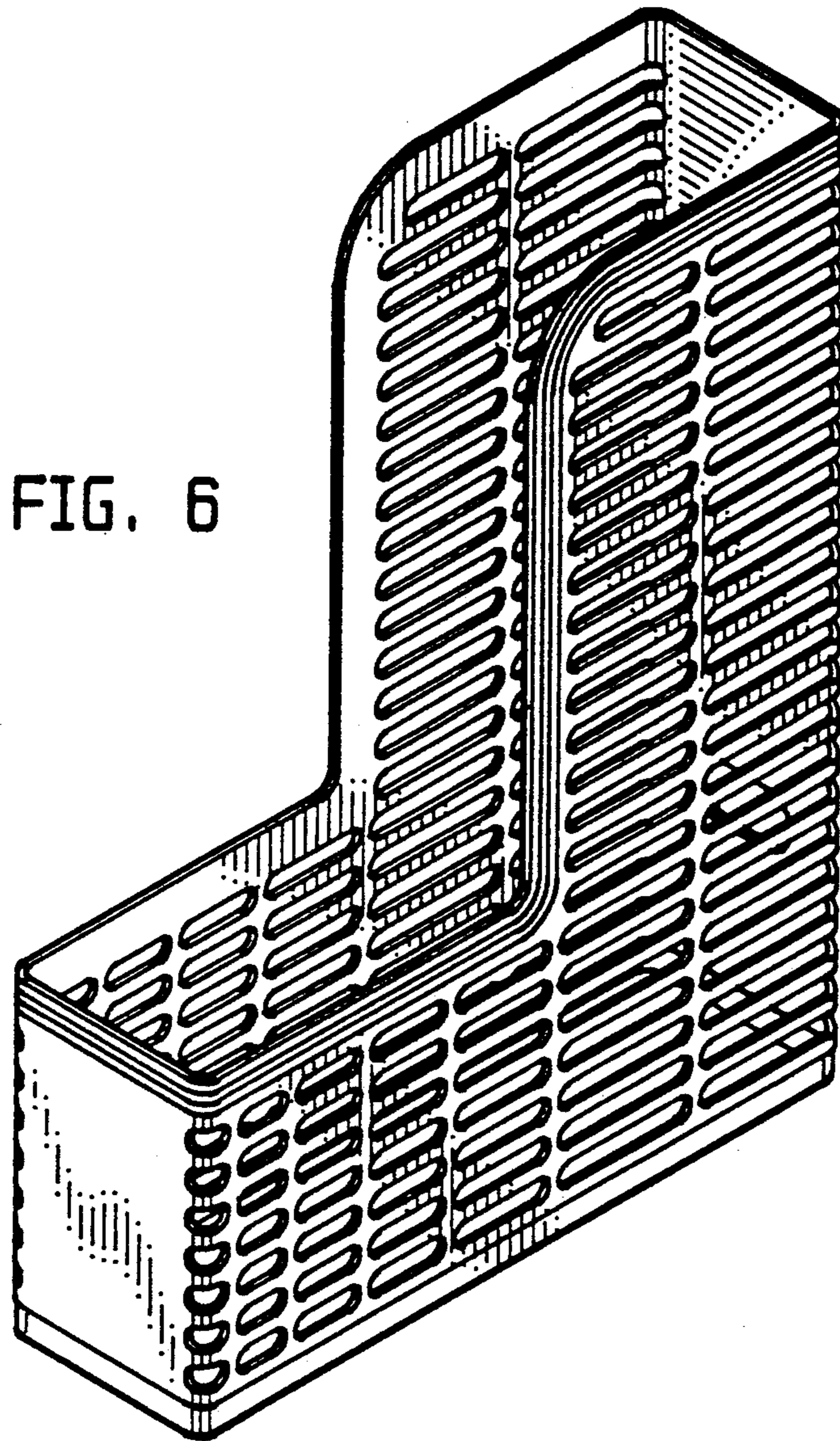


FIG. 6