



US00D334670S

United States Patent [19]

[11] Patent Number: **Des. 334,670**

Brunner

[45] Date of Patent: **** Apr. 13, 1993**

[54] **CLOTHING DISPLAY RACK**

D. 327,993 7/1992 Brunner D6/411
4,361,241 11/1982 Stoddard 211/123

[75] Inventor: **Steven Brunner, Atlanta, Ga.**

[73] Assignee: **Liz Claiborne, Inc., New York, N.Y.**

[**] Term: **14 Years**

[21] Appl. No.: **877,057**

[22] Filed: **May 1, 1992**

OTHER PUBLICATIONS

Alpha Display Mfg. Co. received Jun. 26, 1980 p. 19; cross-over base fixtures Series 46-00, center left on page.

Primary Examiner—Carmen H. Vales-Lado
Attorney, Agent, or Firm—Kirschstein, Ottinger, Israel & Schiffmiller

Related U.S. Application Data

[62] Division of Ser. No. 571,429, Aug. 23, 1990.

[52] U.S. Cl. **D6/415**

[58] Field of Search D6/411-415,
D6/455-461; 211/13, 123, 204, 205

[57] **CLAIM**

The ornamental design for a clothing display rack, as shown.

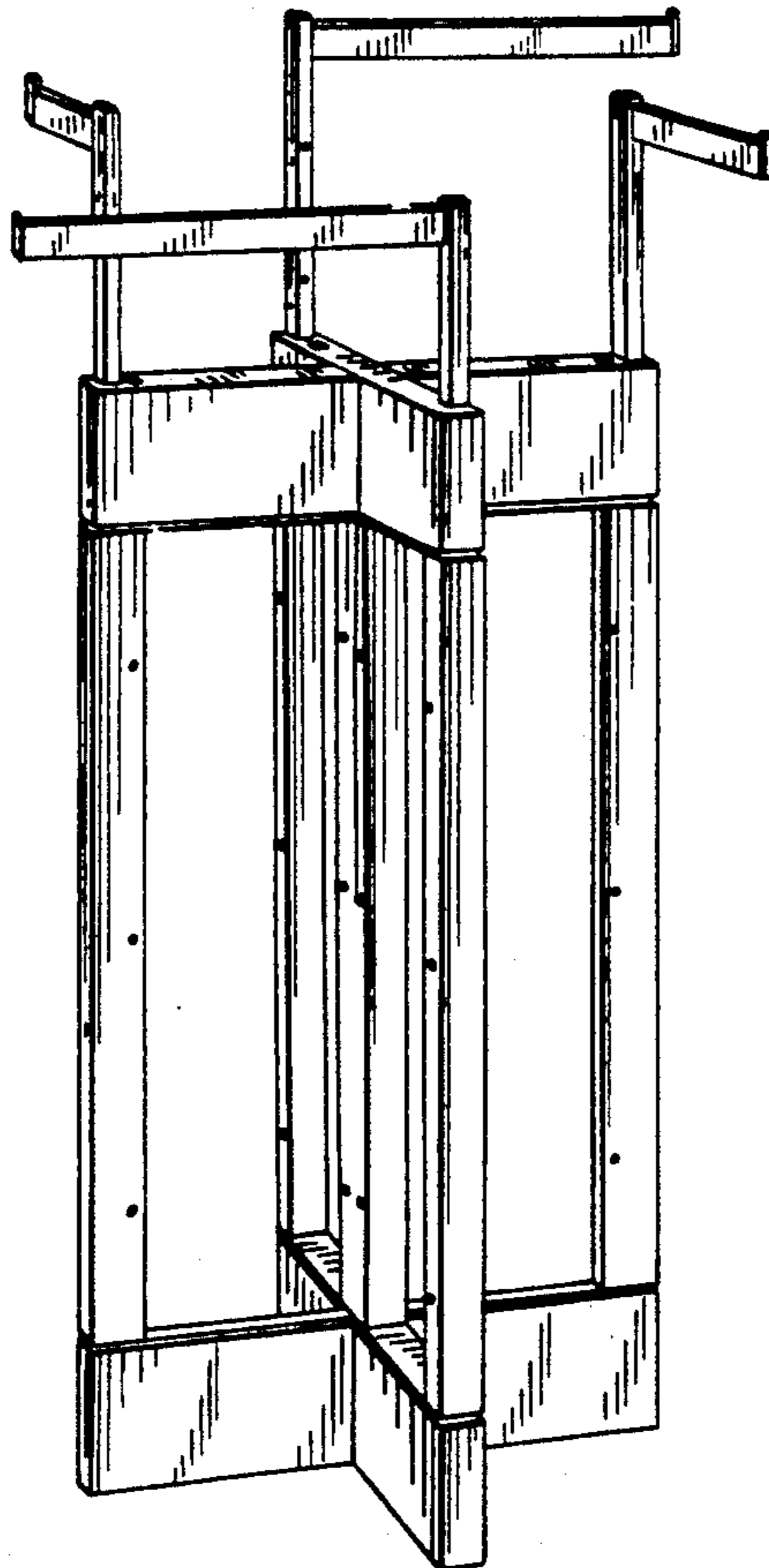
[56] **References Cited**

U.S. PATENT DOCUMENTS

D. 228,539	10/1973	Gelles	D6/411
D. 265,872	8/1982	Rekow	D6/411
D. 272,783	2/1984	Gelles	D6/411
D. 294,543	3/1988	Rekow	D6/411
D. 318,384	7/1991	Terrell et al.	D6/415

DESCRIPTION

FIG. 1 is a perspective view of a clothing display rack showing my new design;
FIG. 2 is a top plan view thereof;
FIG. 3 is a front elevational view thereof;
FIG. 4 is a right side elevational view thereof;
FIG. 5 is a rear elevational view thereof; and,
FIG. 6 is a bottom plan view thereof.



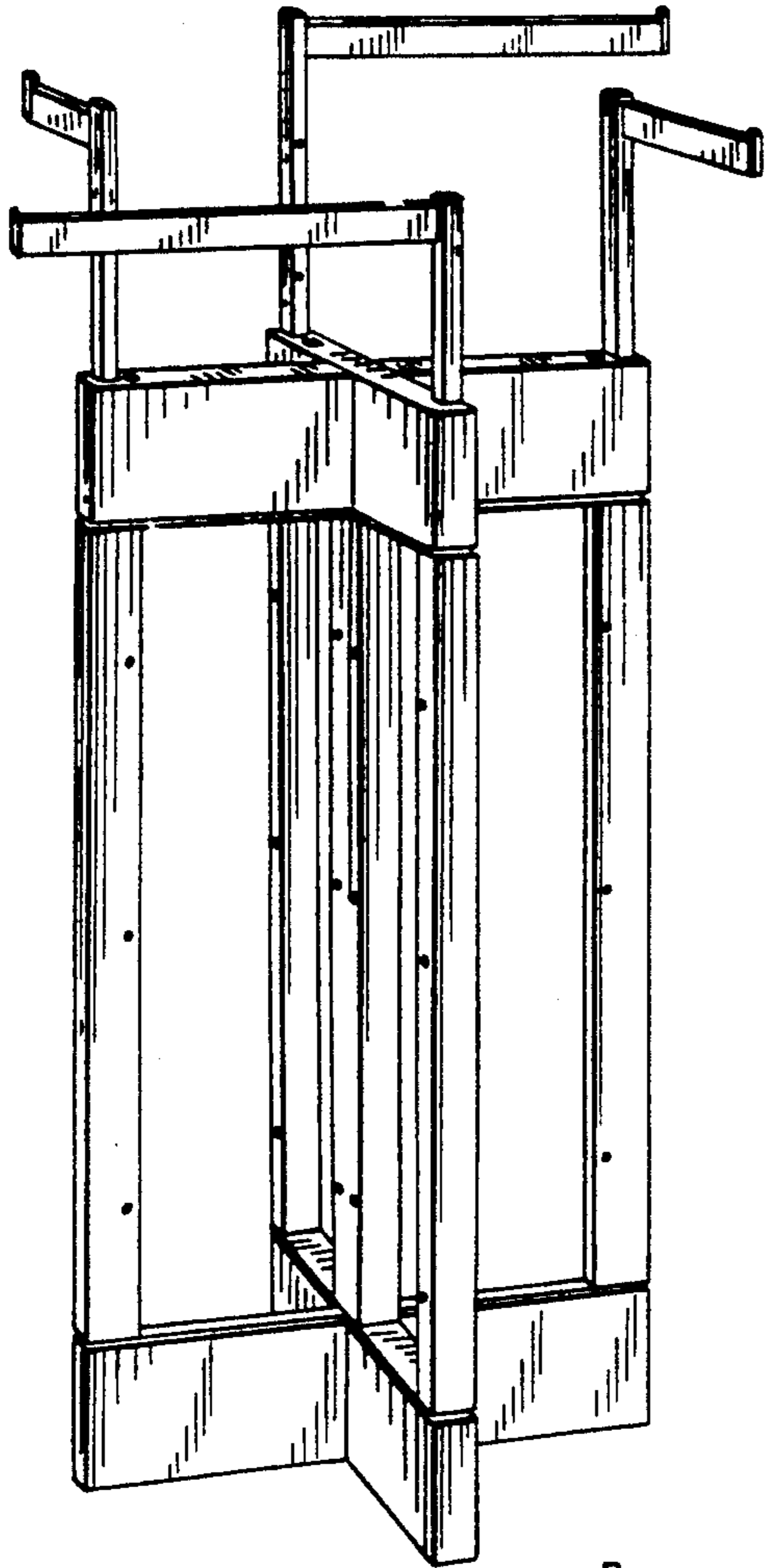


FIG. 1

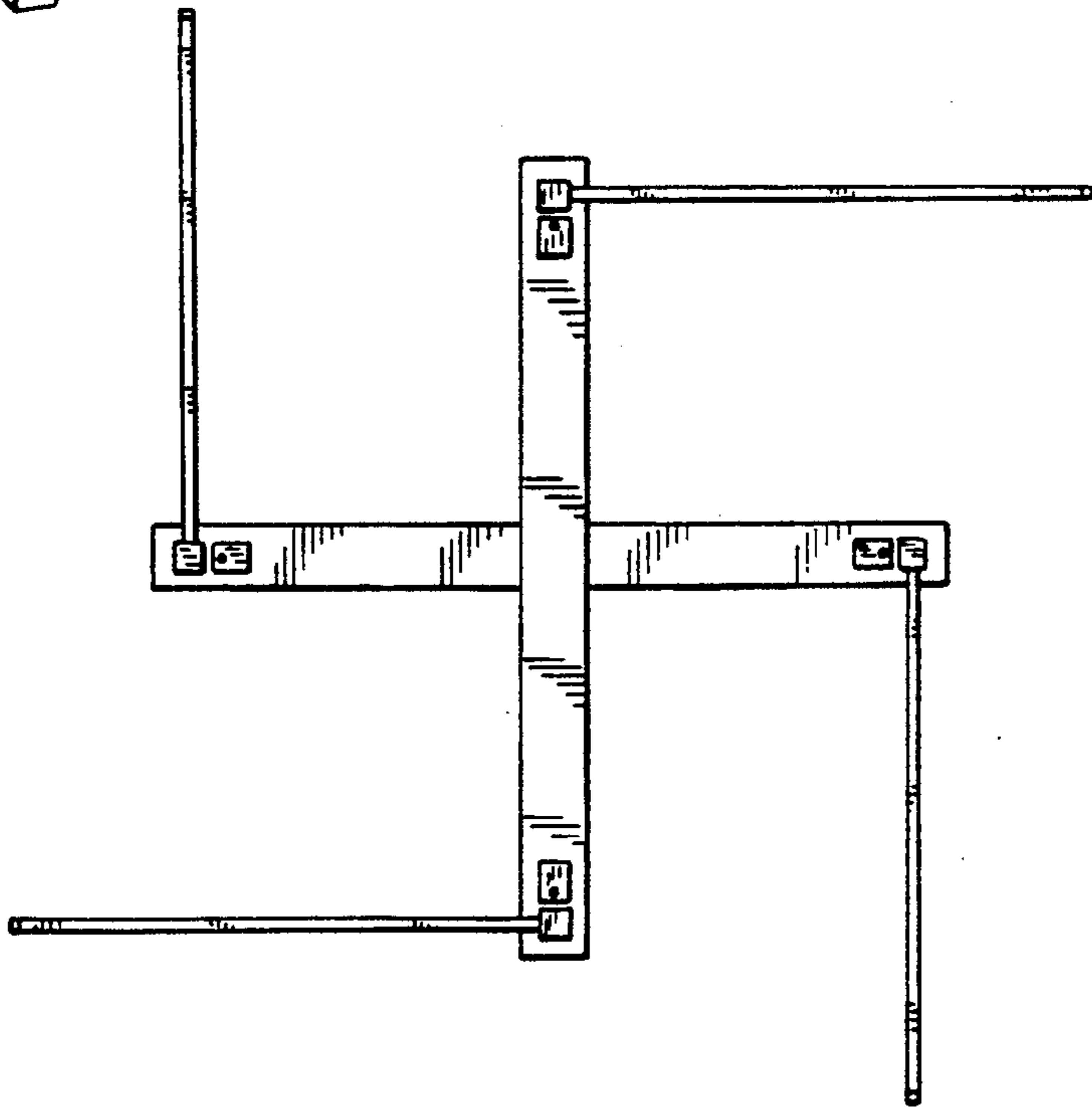
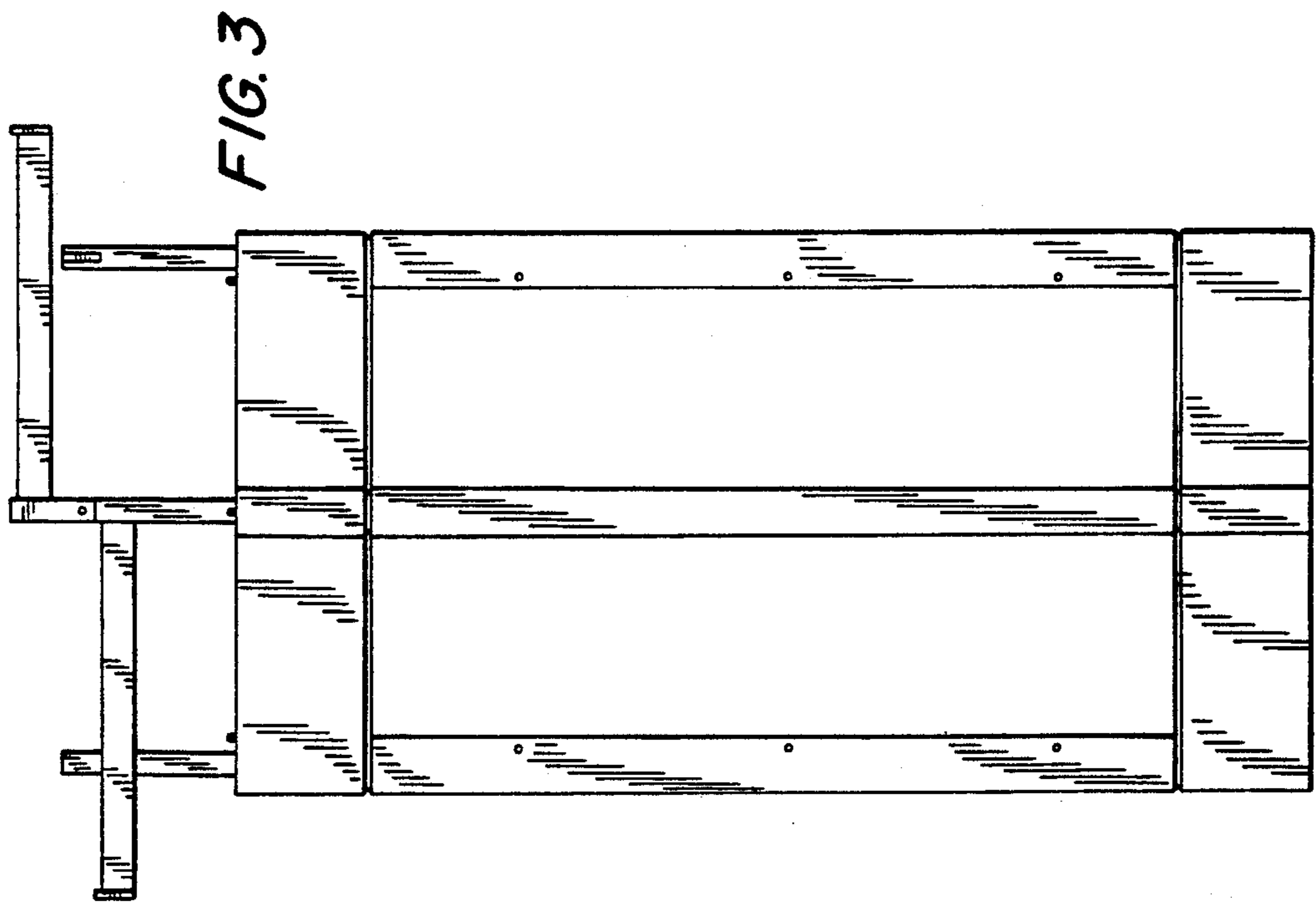
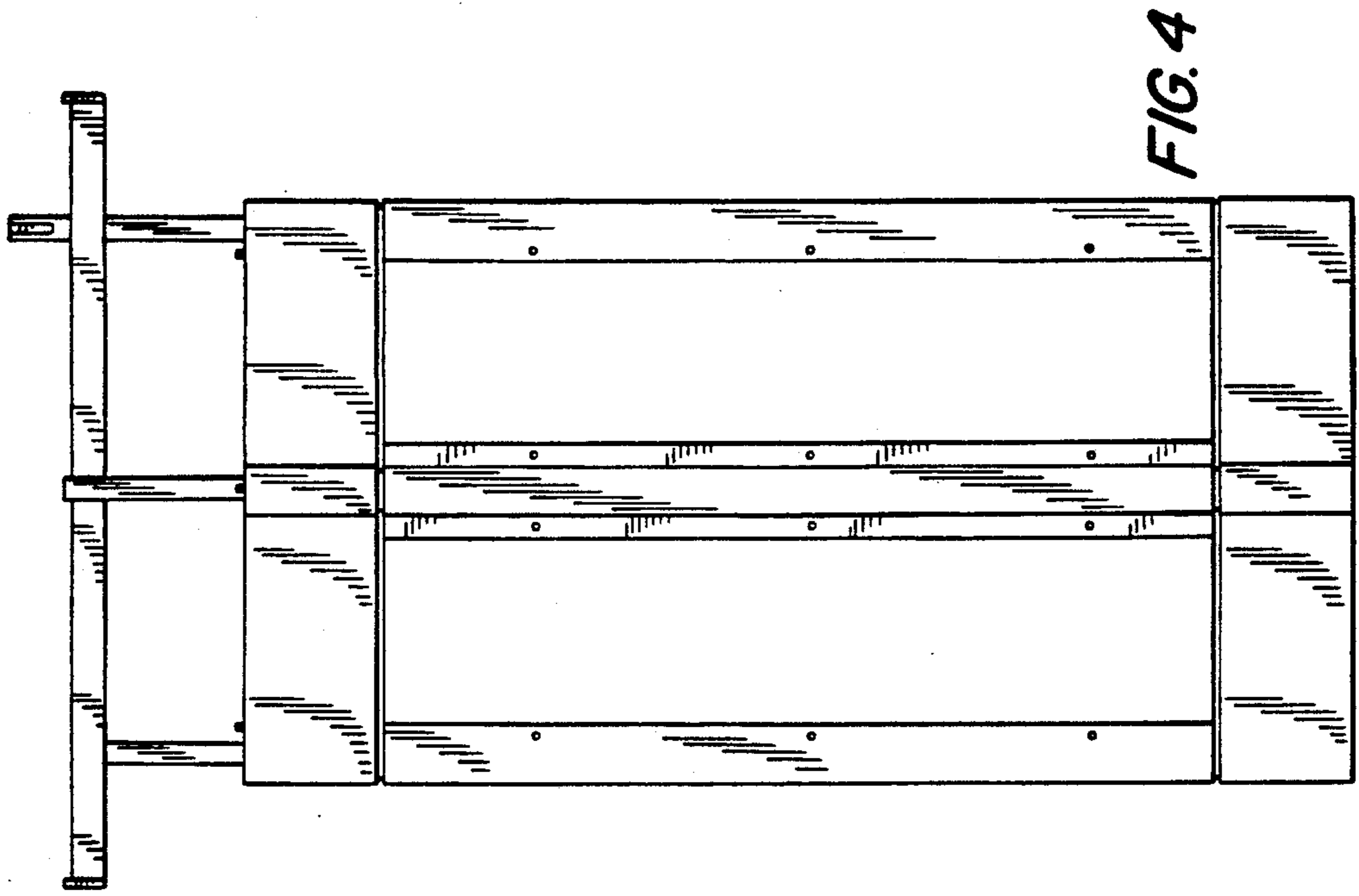


FIG. 2



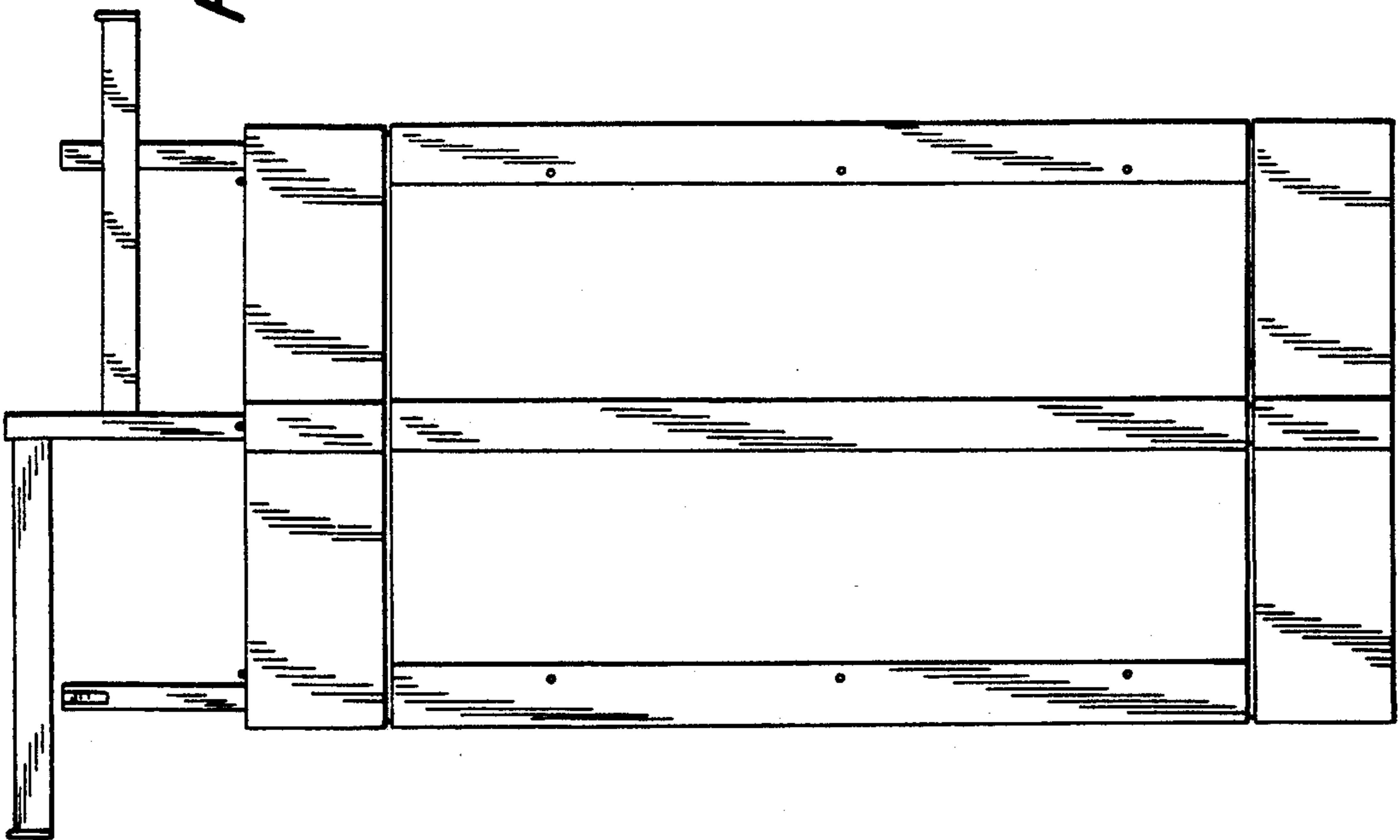


FIG. 5

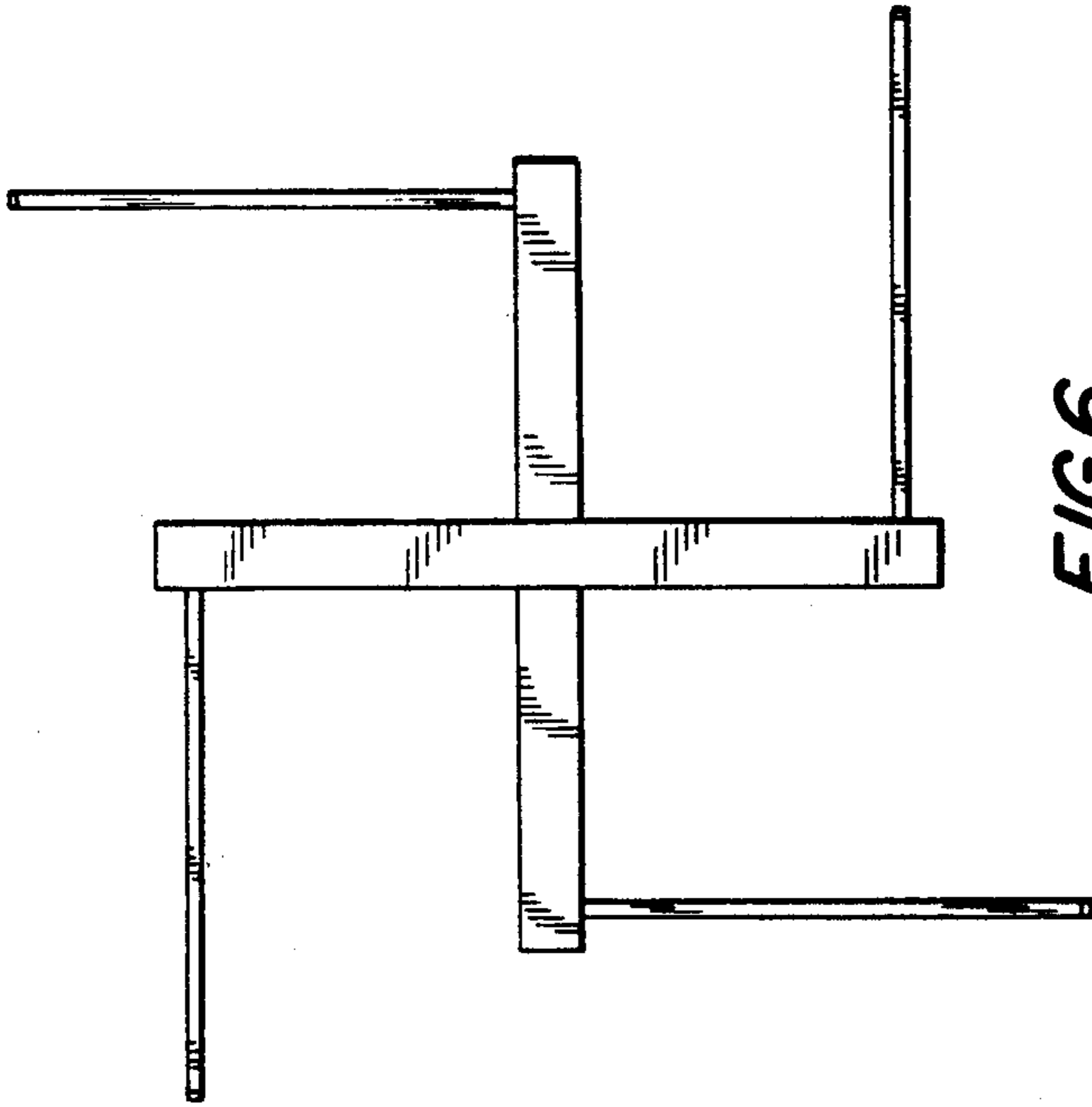


FIG. 6