



US00D334662S

United States Patent [19]

van Berne

[11] Patent Number: **Des. 334,662**

[45] Date of Patent: **** Apr. 13, 1993**

[54] **TREASURE CHEST**
 [75] Inventor: **Joost van Berne, Breda, Netherlands**
 [73] Assignee: **Curver Rubbermaid B.V., Goirle, Netherlands**
 [**] Term: **14 Years**
 [21] Appl. No.: **648,602**
 [22] Filed: **Jan. 11, 1991**
 [30] **Foreign Application Priority Data**

Aug. 10, 1990 [XH] Hague DM/017381
 [52] U.S. Cl. **D3/70; D99/7**
 [58] Field of Search **D3/70, 74, 76, 78, 50; D99/1, 7; 190/13 R, 18 R, 18 A, 40; 206/278.1, 349; D6/396; D9/432; D7/538**

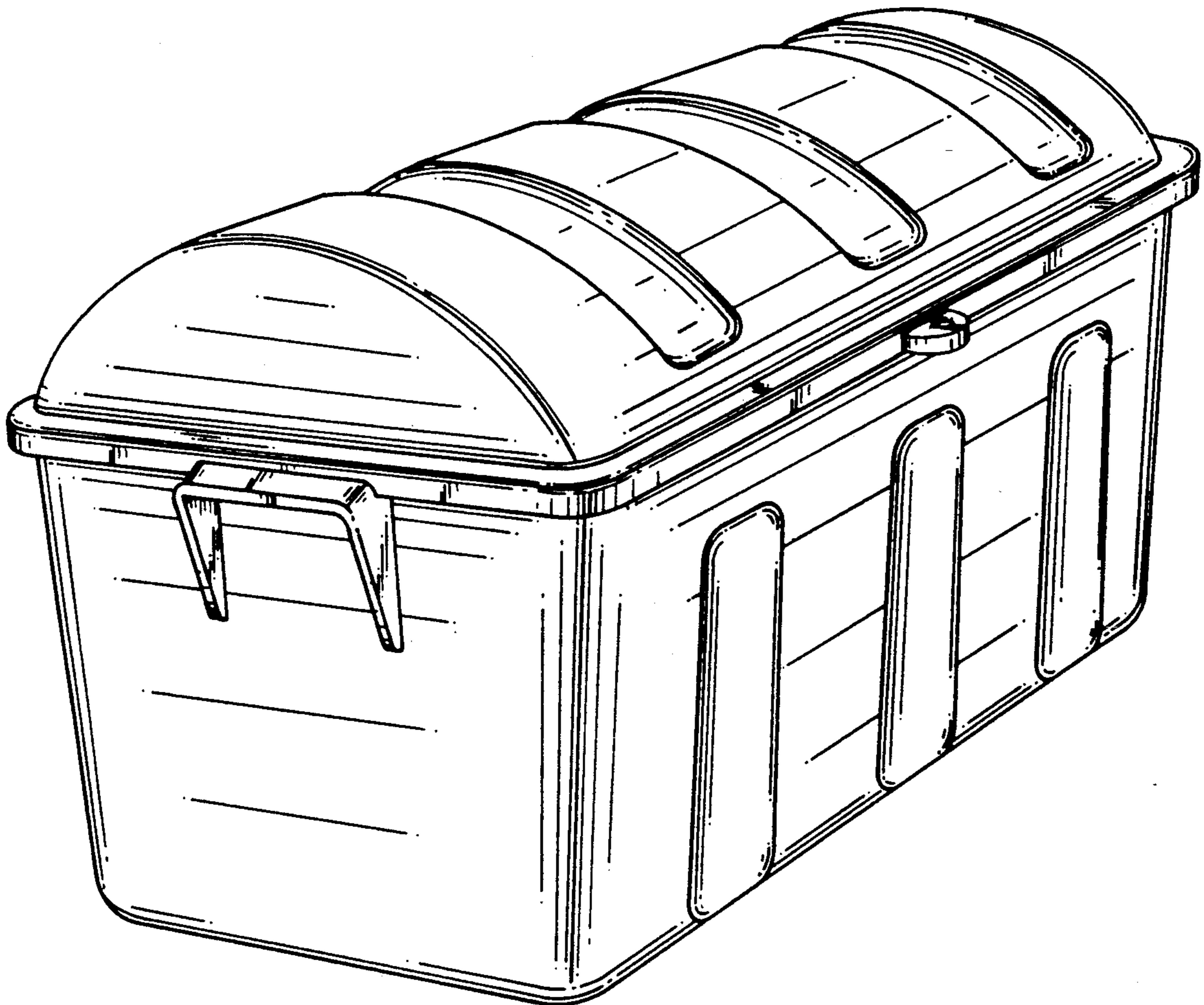
[56] **References Cited**
U.S. PATENT DOCUMENTS
 D. 84,721 7/1931 Weitzman D3/70
 D. 86,286 2/1932 Struck et al. D3/70

D. 167,782 9/1952 Weiss D3/74
 D. 174,886 5/1955 Petker D3/70
 D. 183,777 10/1958 Weiss D3/78
 371,554 10/1887 Crouch 190/40
 475,617 5/1892 Seward et al. D3/70 X
 2,927,453 3/1960 Patterson et al. D99/1 X
 3,208,186 9/1965 Fulton et al. D99/1 X

Primary Examiner—Louis S. Zarfes
Assistant Examiner—P. A. Mortimer
Attorney, Agent, or Firm—Cushman, Darby & Cushman

[57] **CLAIM**
 The ornamental design for a treasure chest, as shown.

DESCRIPTION
 FIG. 1 is a perspective view from above and one side, of a treasure chest showing my new design;
 FIG. 2 is an opposite side elevational view thereof;
 FIG. 3 is a front elevational view thereof;
 FIG. 4 is a rear elevational view thereof;
 FIG. 5 is a top plan view thereof; and,
 FIG. 6 is a bottom plan view thereof.



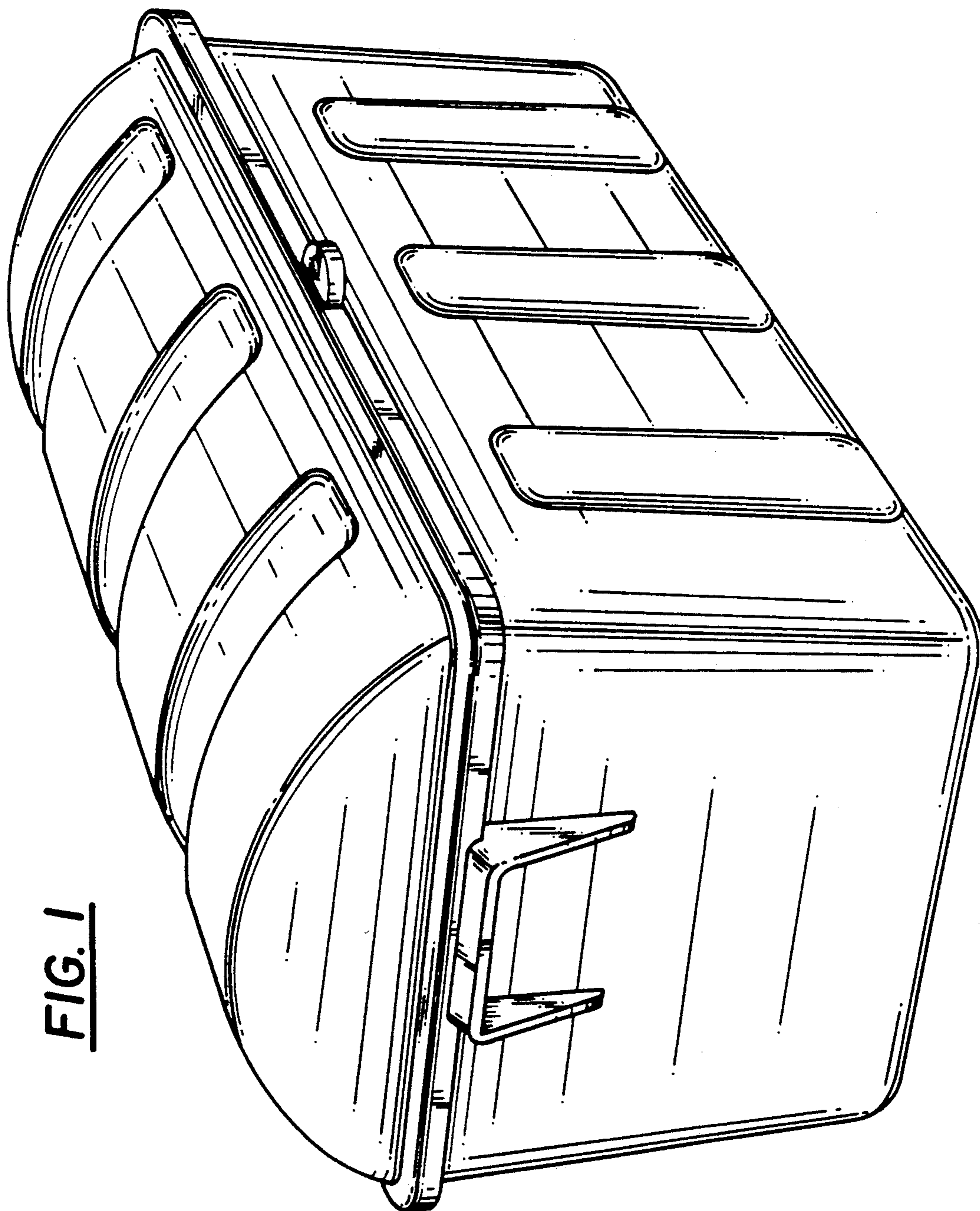


FIG. 1

FIG. 2

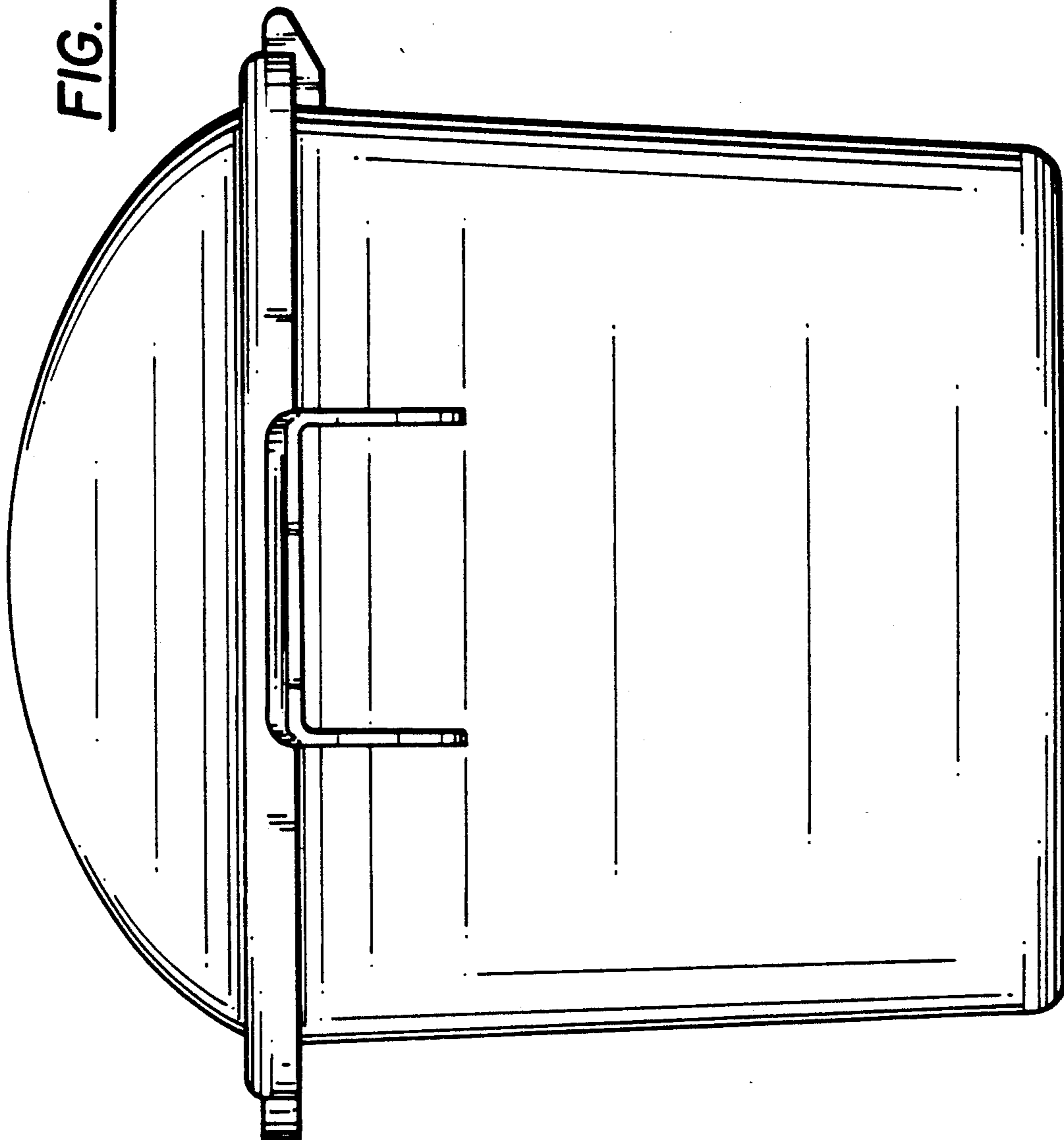


FIG. 3

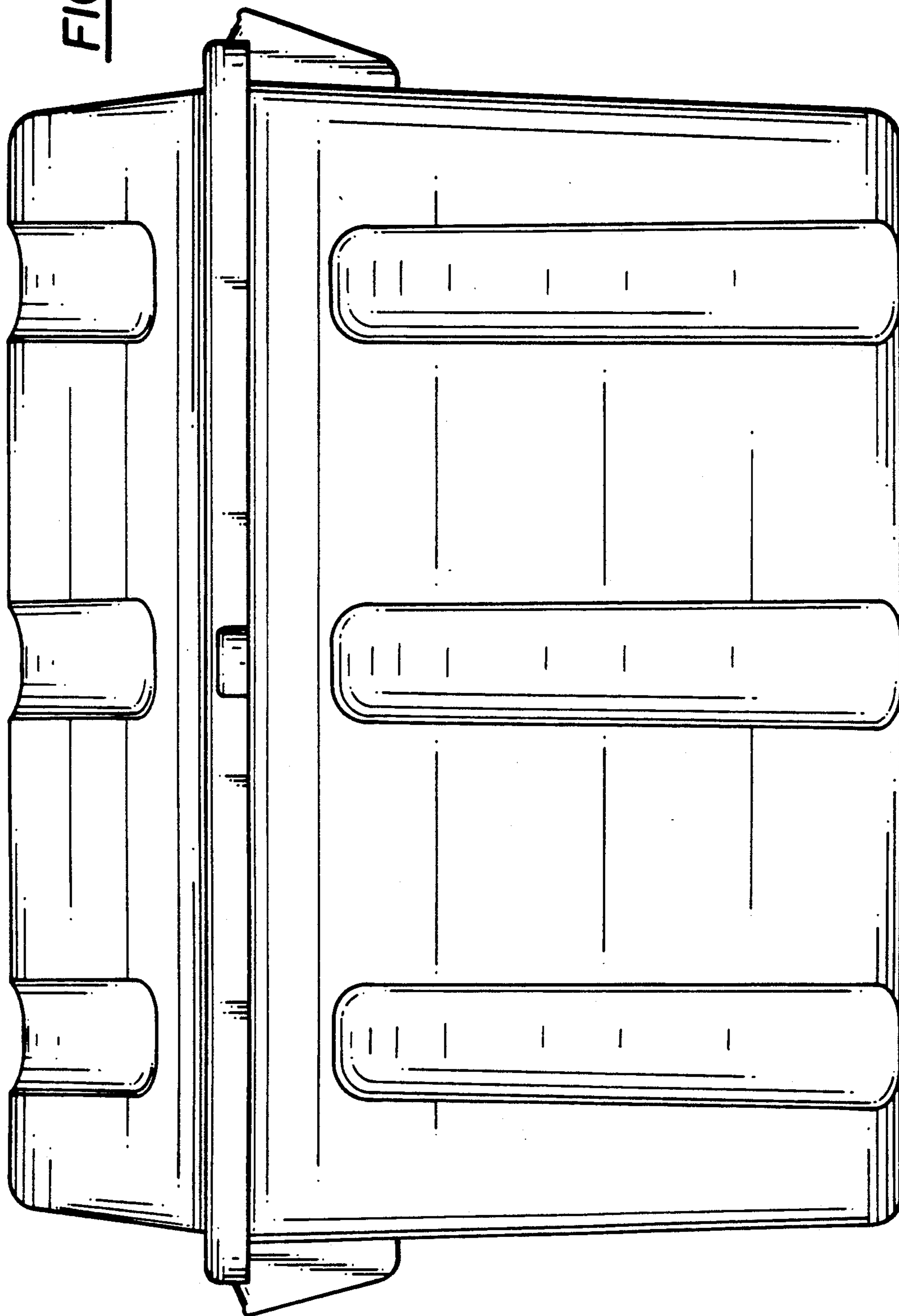


FIG. 4

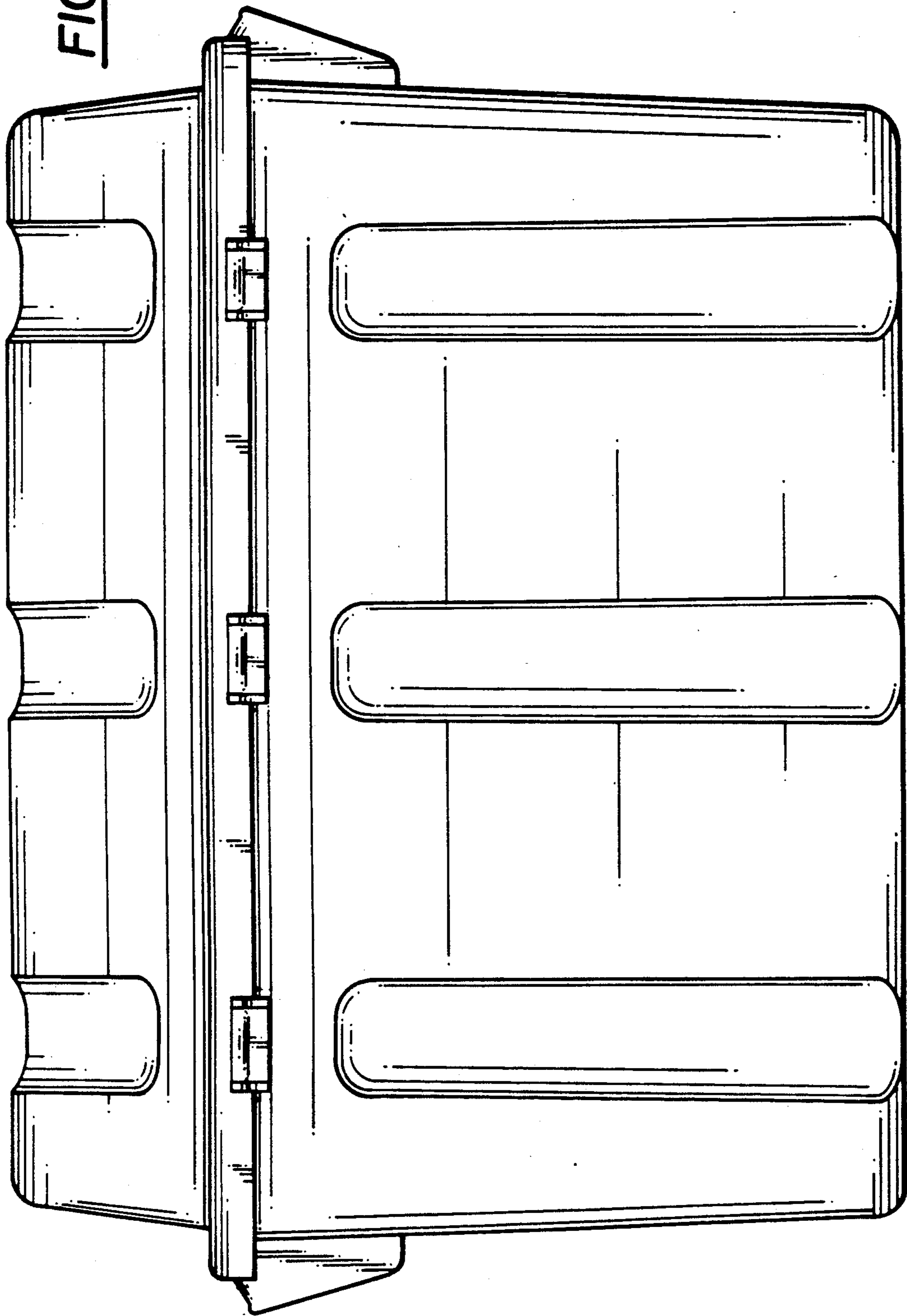


FIG. 5

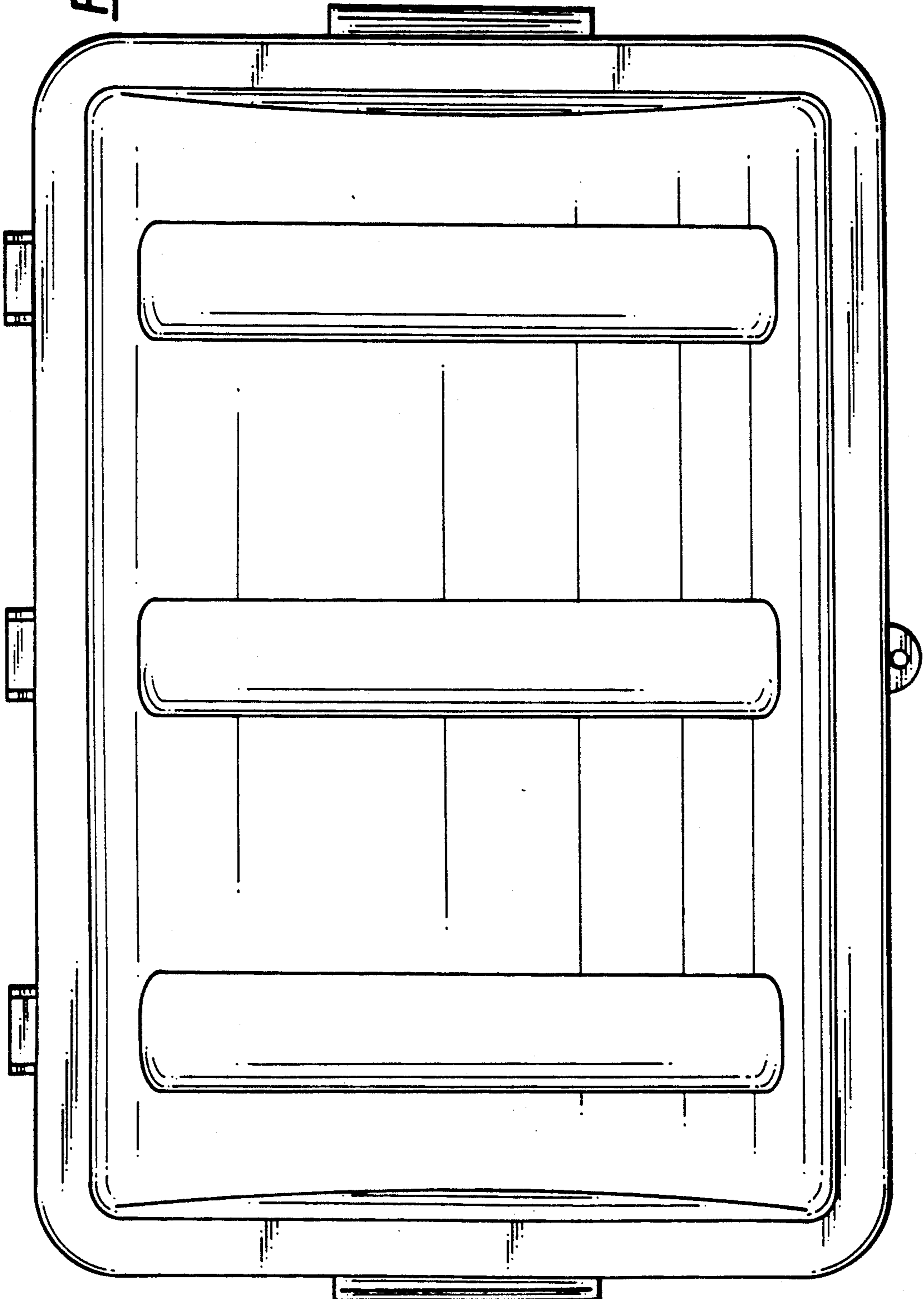


FIG. 6

