



US00D334661S

**United States Patent** [19]  
**Kohn**

[11] **Patent Number: Des. 334,661**  
[45] **Date of Patent: \*\* Apr. 13, 1993**

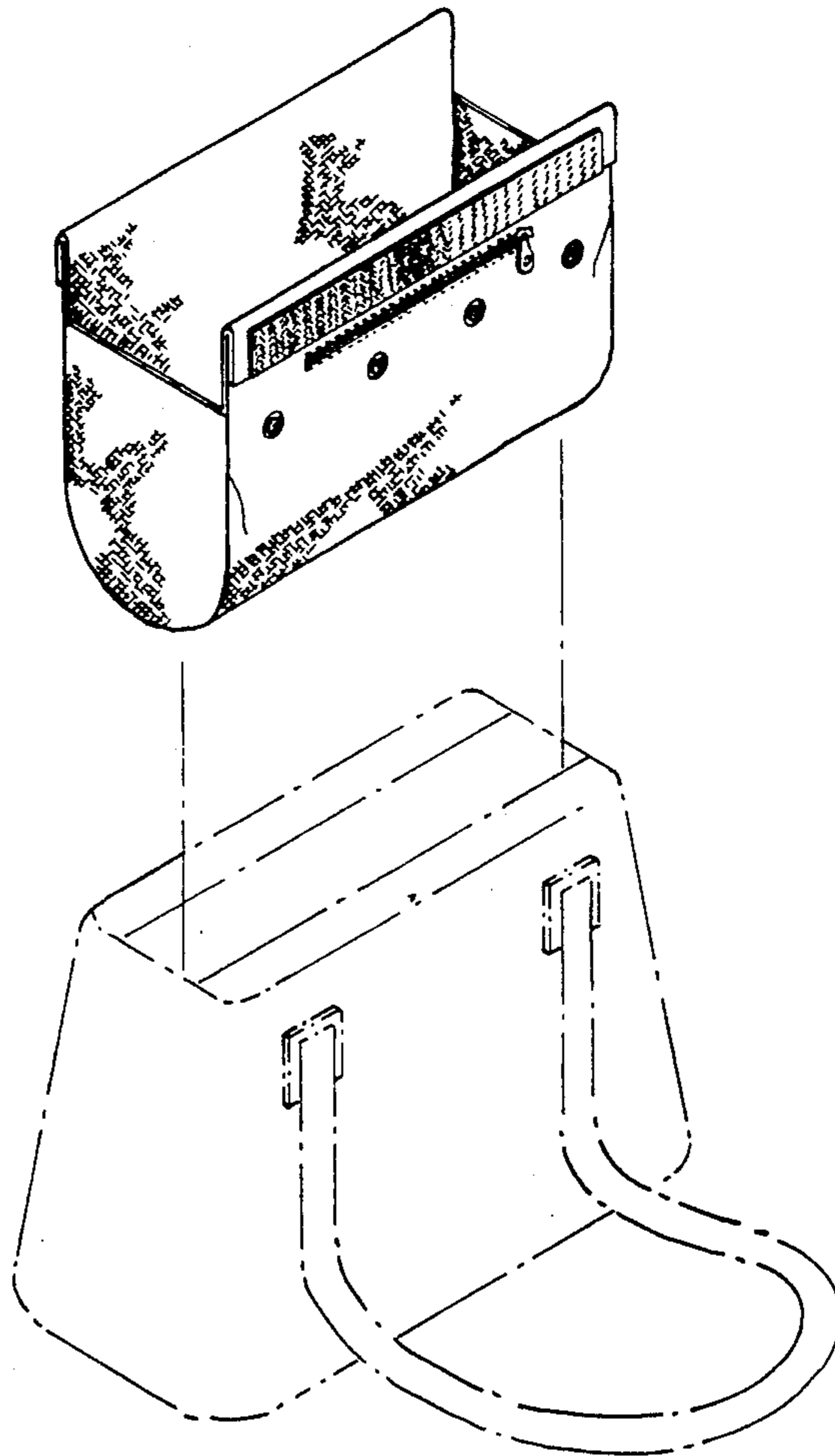
[54] **REMOVABLE POCKETBOOK LINER**  
[76] **Inventor: Dorothy P. Kohn, Krewson La., Cheltenham, Pa. 19012**  
[\*\*] **Term: 14 Years**  
[21] **Appl. No.: 642,382**  
[22] **Filed: Jan. 17, 1991**  
[52] **U.S. Cl. .... D3/54**  
[58] **Field of Search .... D3/39, 41-45, D3/48, 52-54, 71; 150/100, 103-108, 110-113, 117-119; 190/100, 103, 107-113, 117-119; 383/4, 6-8, 11, 16, 37, 38, 41, 42, 71, 72, 76, 907**

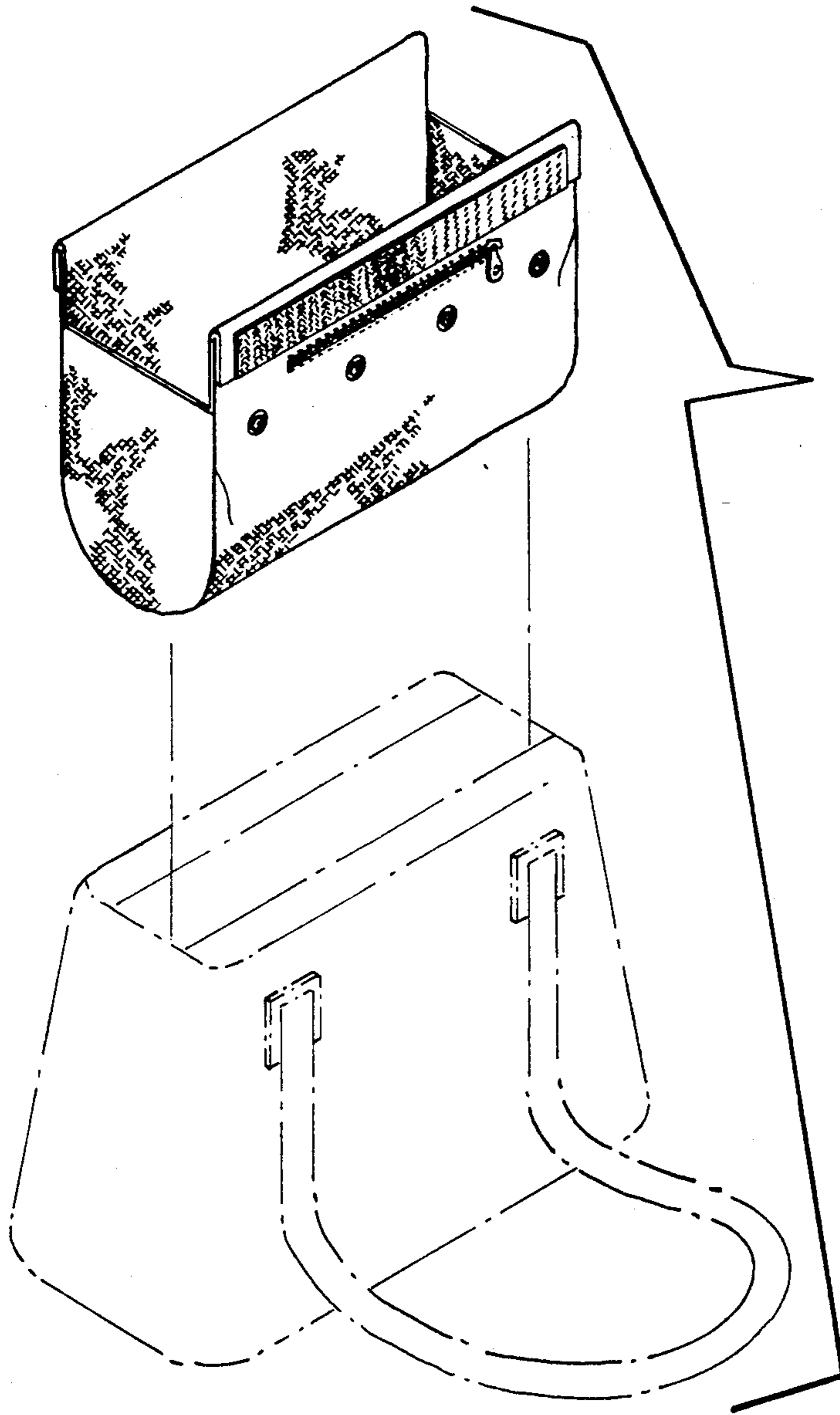
[56] **References Cited**  
**U.S. PATENT DOCUMENTS**  
D. 252,596 8/1979 Adler ..... D3/54  
D. 265,149 6/1982 Romano ..... D3/54  
D. 279,939 8/1985 Richardson et al. .... D3/42  
4,263,951 4/1981 Siegel ..... D3/42 X

*Primary Examiner—Louis S. Zarfes*  
*Attorney, Agent, or Firm—Eckert Seamans Cherin & Mellott*

[57] **CLAIM**  
The ornamental design for a removable pocketbook liner, as shown and described.

**DESCRIPTION**  
FIG. 1 is a perspective view of a removable pocketbook liner showing my new design with a pocketbook shown in phantom lines in exploded relationship for purposes of association;  
FIG. 2 is a front elevational view thereof;  
FIG. 3 is a rear elevational view thereof;  
FIG. 4 is a right side elevational view thereof;  
FIG. 5 is a left side elevational view thereof;  
FIG. 6 is a top plan view thereof; and,  
FIG. 7 is a bottom plan view thereof.  
The broken line showing of a pocketbook in FIG. 1 is for illustrative purposes only and forms no part of the claimed design.

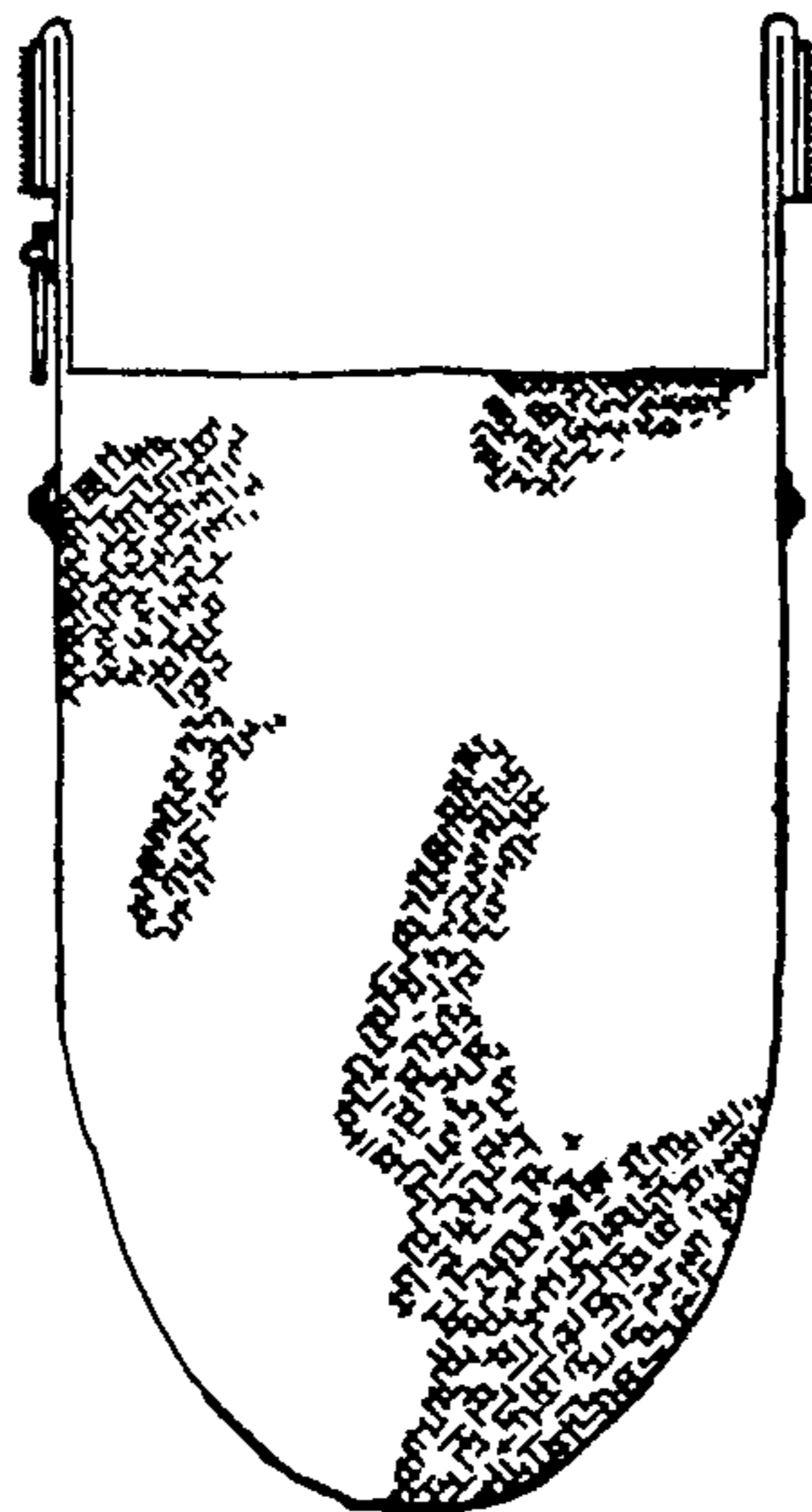




**FIG. 1**



**FIG. 4**



**FIG. 5**



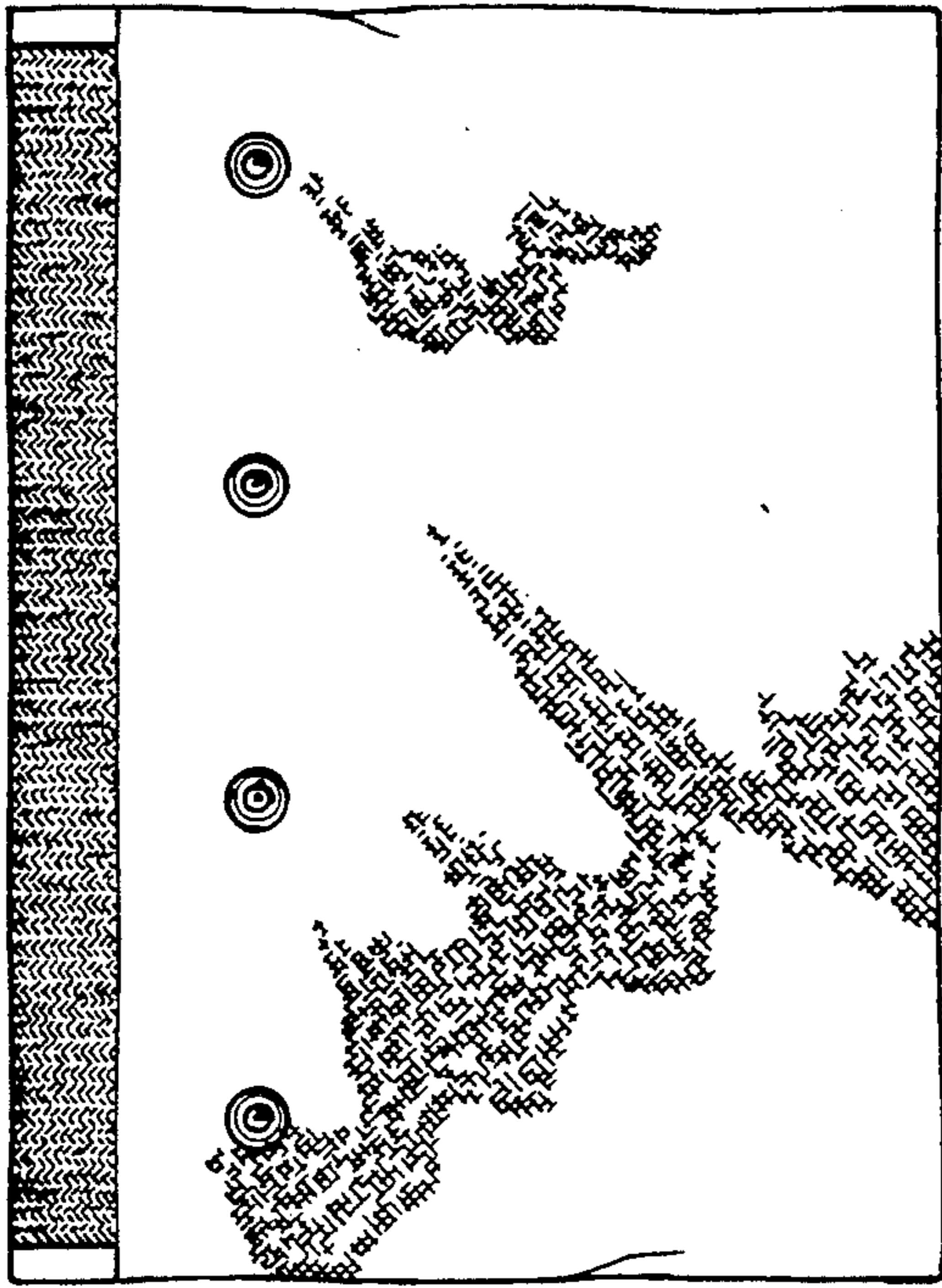


FIG. 3

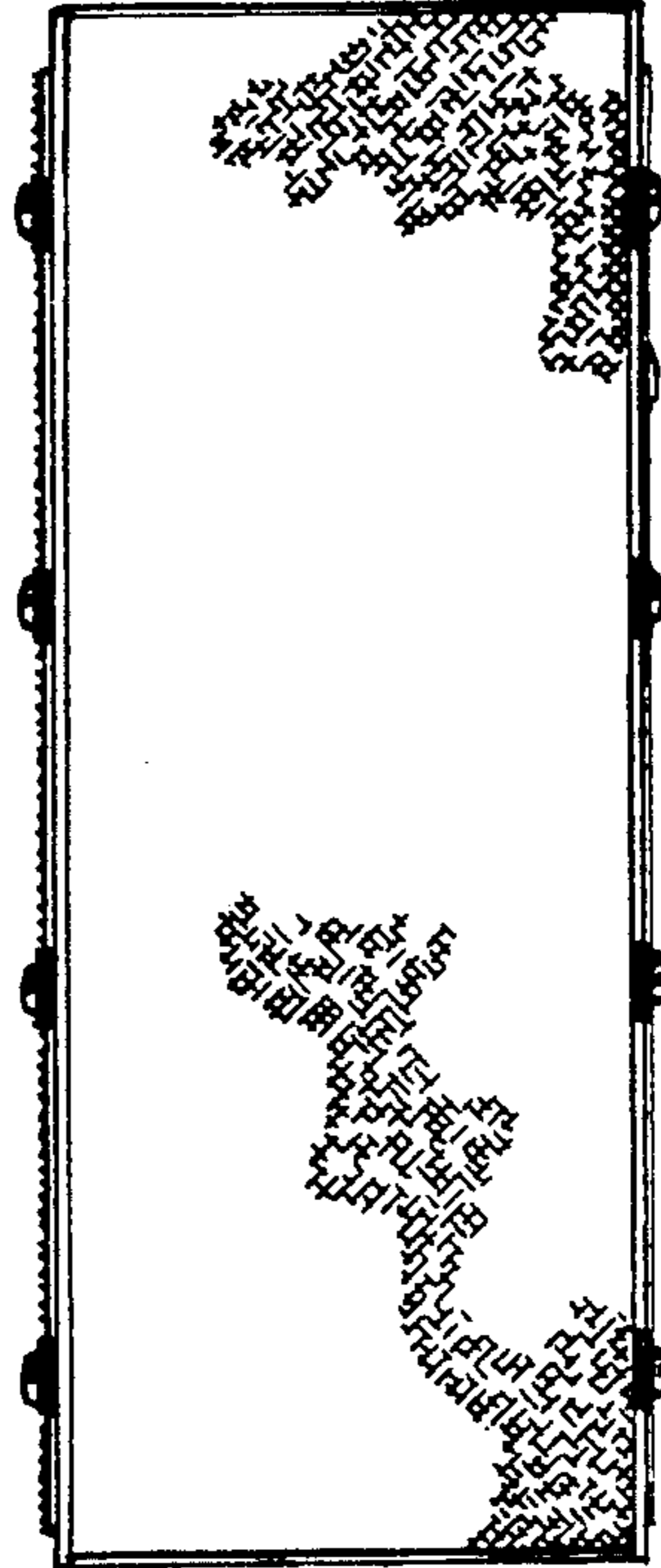


FIG. 6

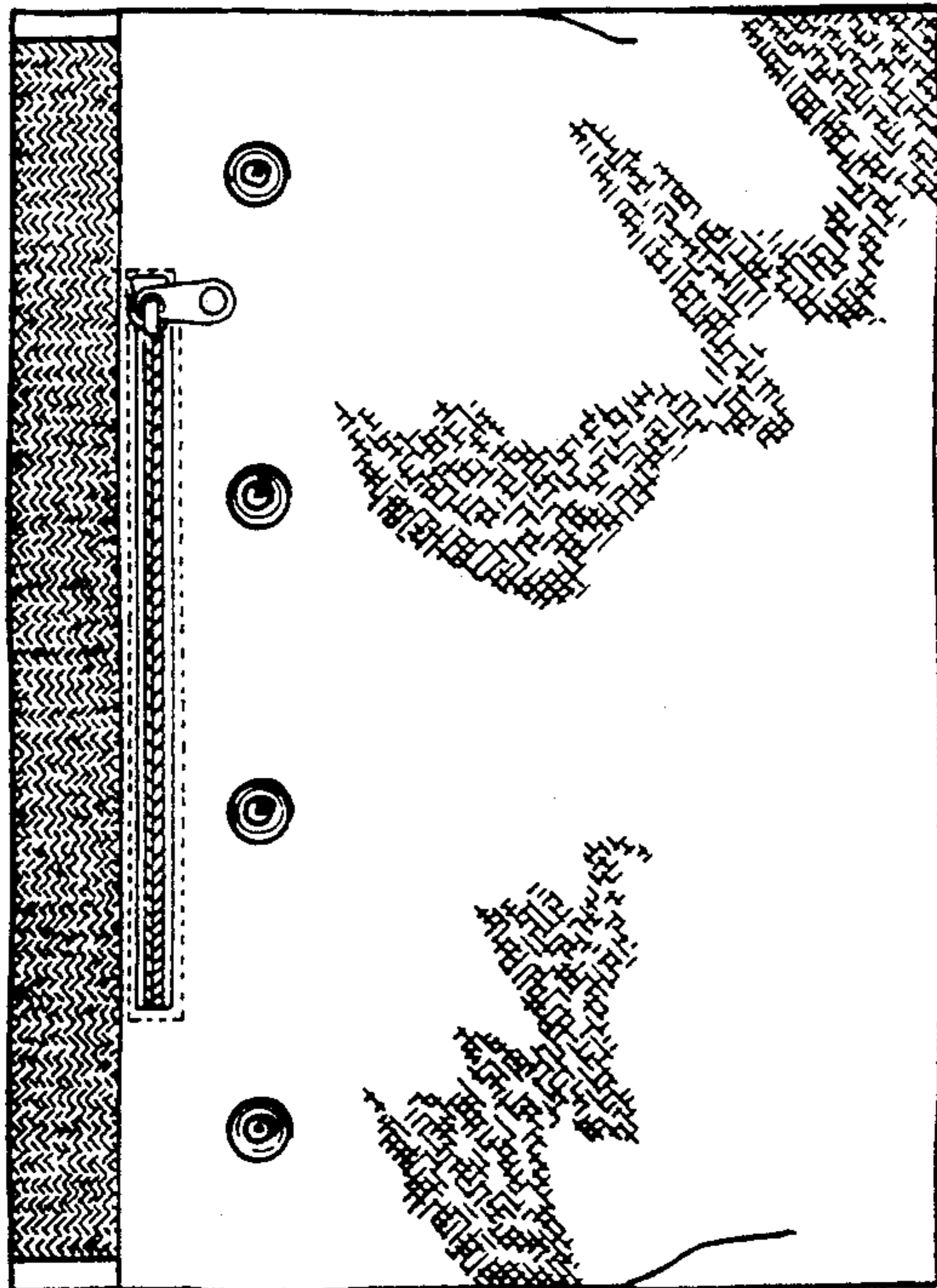


FIG. 2

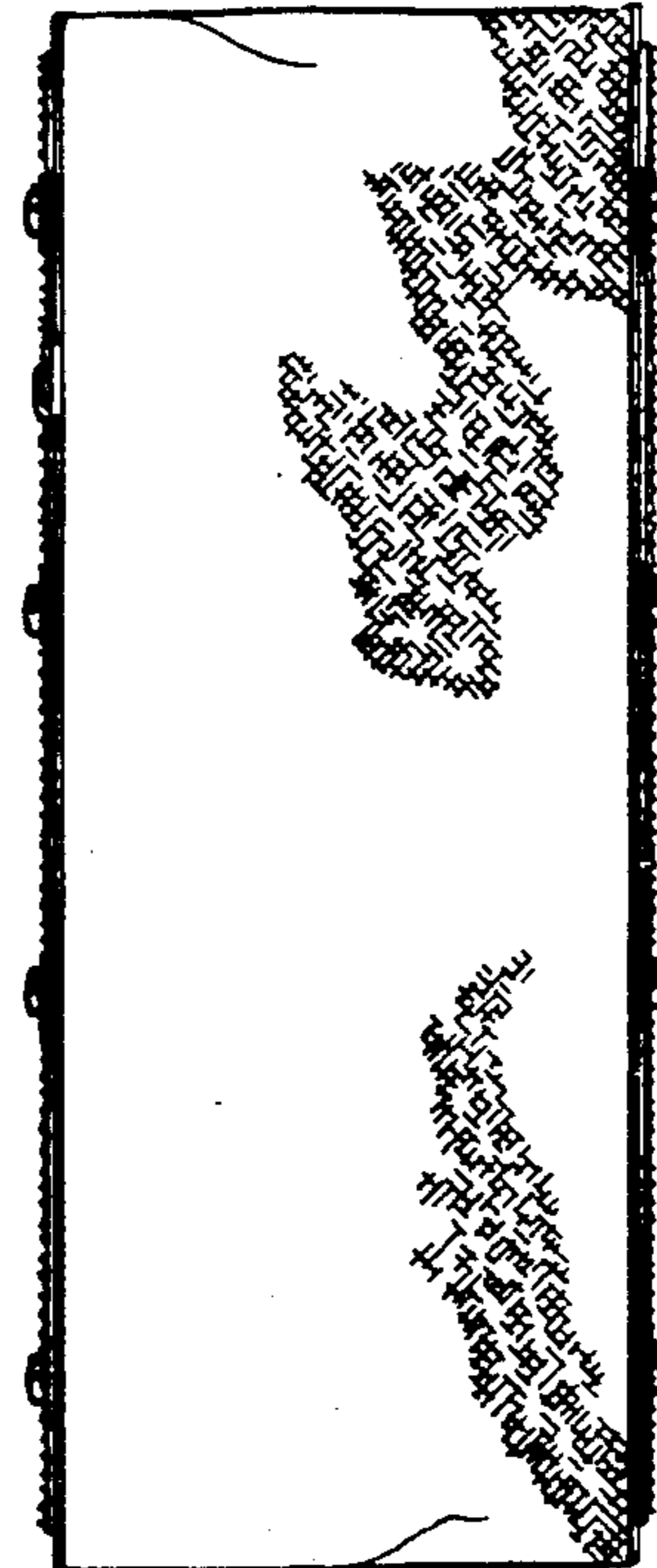


FIG. 7