



US00D334639S

United States Patent [19]

[11] Patent Number: **Des. 334,639**

Kroll

[45] Date of Patent: **** Apr. 6, 1993**

[54] TRASH CAN FOR USE WITH PLASTIC TRASH BAGS

3,148,799 9/1964 Meroney .

3,724,745 4/1973 Brown 232/43.2

[76] Inventor: **Randy J. Kroll**, 4914 W. Niagara Way, Salt Lake City, Utah 84118

Primary Examiner—Kay H. Chin

Attorney, Agent, or Firm—Terry M. Gernstein

[**] Term: **14 Years**

[57] **CLAIM**

[21] Appl. No.: **778,625**

The ornamental design for a trash can for use with plastic trash bags, as shown and described.

[22] Filed: **Oct. 18, 1991**

DESCRIPTION

[52] U.S. Cl. **D34/7; D34/1**

FIG. 1 is a top and front perspective view of a trash can for use with plastic trash bags showing my new design; FIG. 2 is a front elevational view thereof, the rear elevational view being a mirror image of that shown; FIG. 3 is a side elevational view thereof, the opposite side elevational view being a mirror image of that shown;

[58] Field of Search **D34/1-11;**

220/908, 909, 404, 403; 232/43, 2

[56] **References Cited**

U.S. PATENT DOCUMENTS

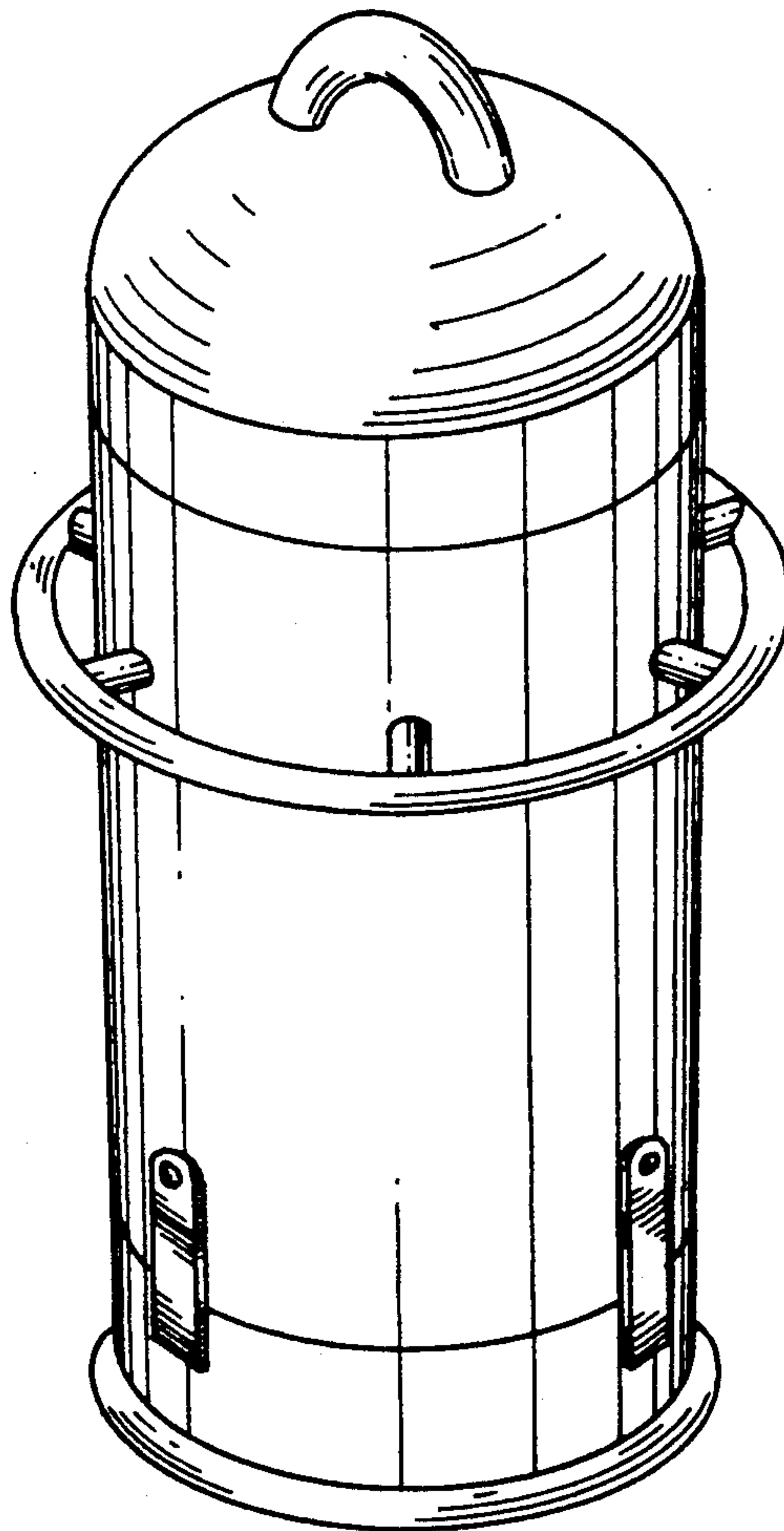
D. 327,760 7/1992 Donnelly **D34/1**

1,170,797 2/1916 Burroughs .

3,115,986 5/1962 Groff .

FIG. 4 is a top plan view thereof; and,

FIG. 5 is a bottom plan view thereof.



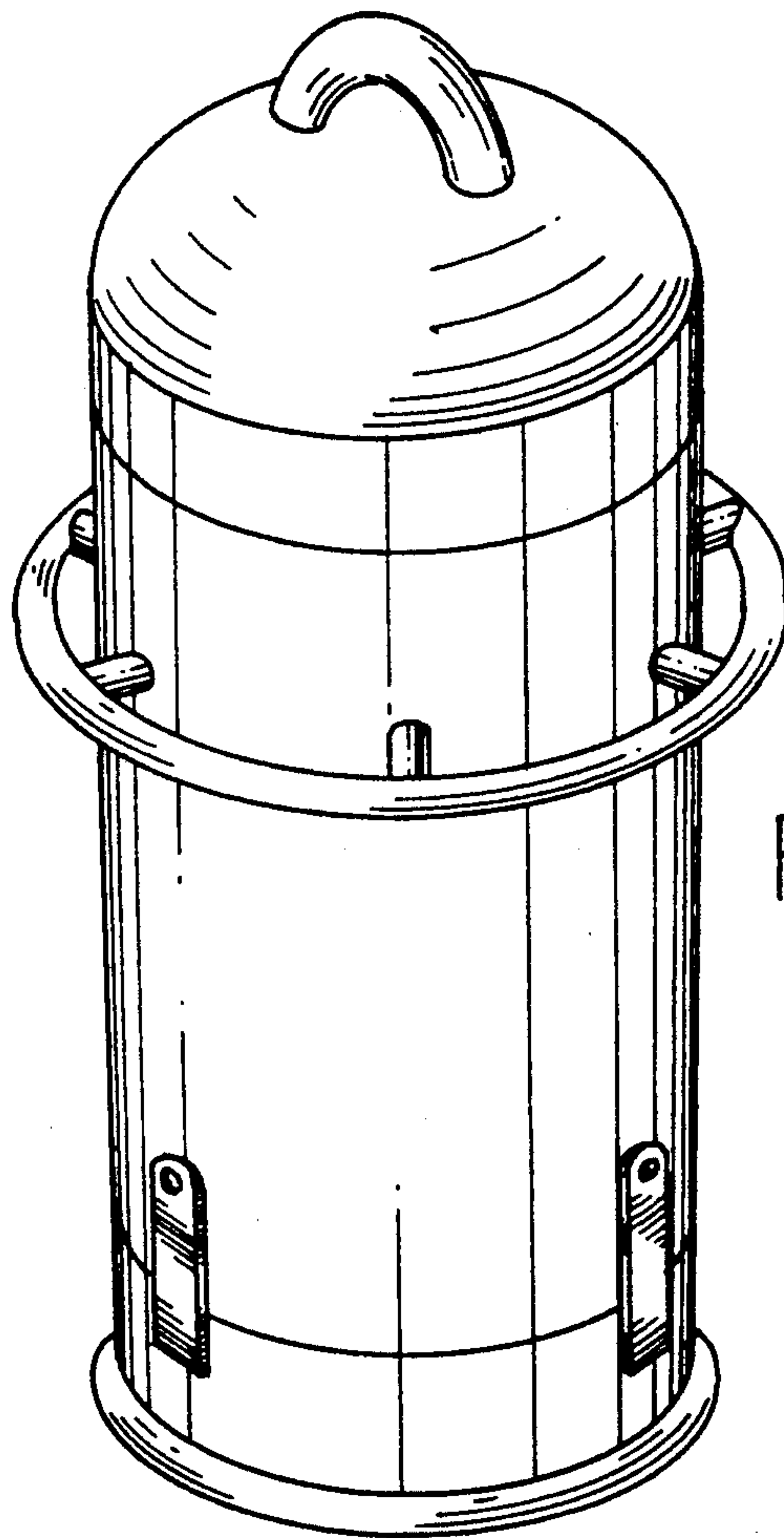


FIG. 1.

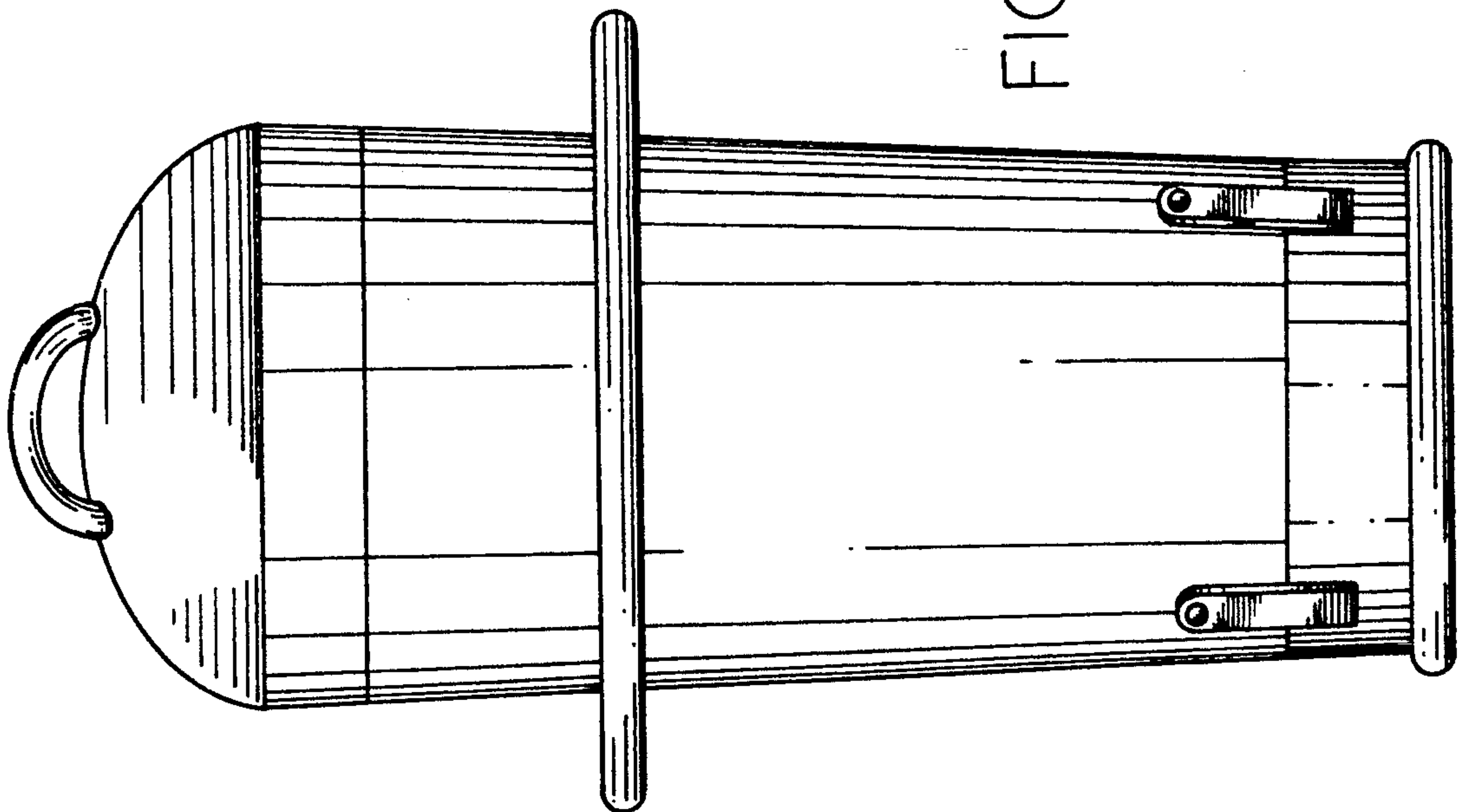


FIG. 2.

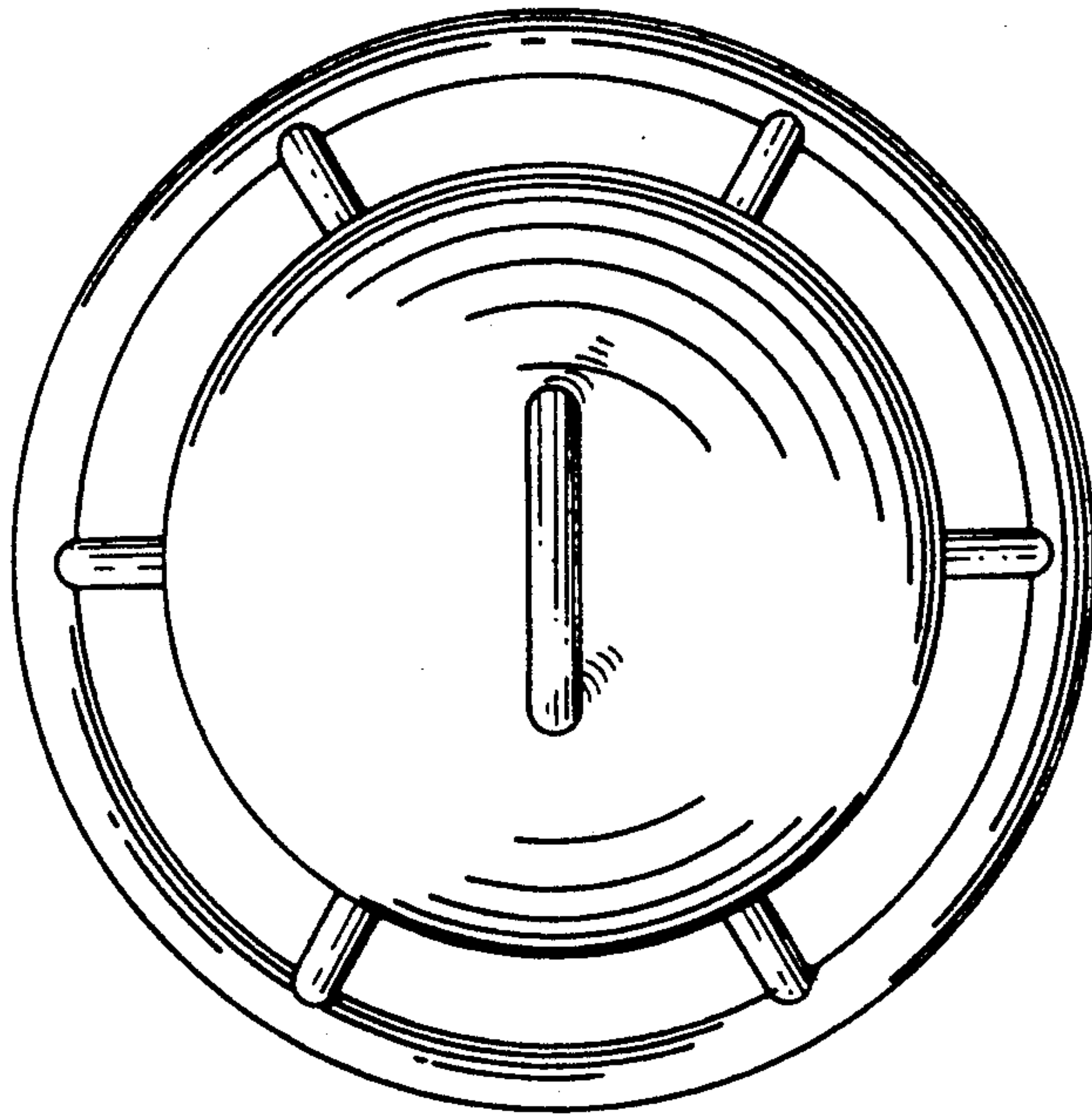


FIG. 4.

FIG. 5.

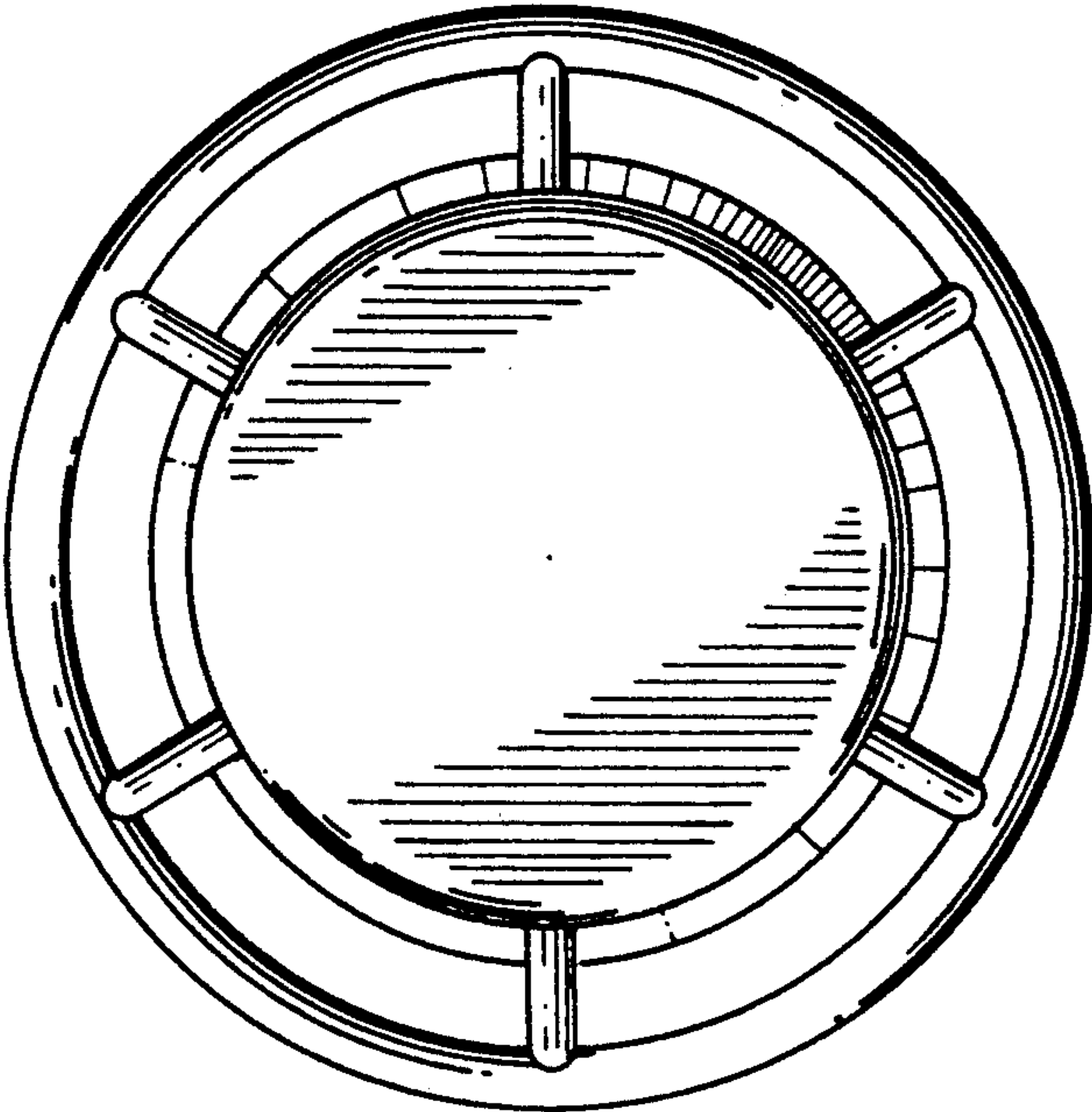


FIG. 3.

