



US00D334636S

United States Patent [19]

[11] Patent Number: **Des. 334,636**

Honeycutt

[45] Date of Patent: **** Apr. 6, 1993**

[54] COMBINED DOMESTIC BIRD FEEDER AND PLANTER FOR WINDOW SILL

[76] Inventor: **Jerry P. Honeycutt, 214 Tonset Rd., Orleans, Mass. 02653**

[**] Term: **14 Years**

[21] Appl. No.: **664,994**

[22] Filed: **Mar. 5, 1991**

[52] U.S. Cl. **D30/124; D11/145; D6/513; D30/118**

[58] Field of Search **D6/513, 514; 119/28.5, 119/57.8, 57.9, 52.2-52.3, 61, 69.5; D30/124-128, 118, 119; D11/145**

[56] References Cited

U.S. PATENT DOCUMENTS

D. 187,135	2/1960	McDonald	119/52.2
D. 192,925	5/1962	Kofsky	D30/124
D. 240,755	7/1976	Wheeler	D11/145
D. 268,996	5/1983	Elleby, Jr. et al.	D11/145
2,430,541	11/1947	Thatcher	119/57.8
2,930,087	3/1960	Shimel	D11/145
3,076,433	2/1963	Kofsky et al.	119/57.8
3,291,100	12/1966	Negaard	119/57.8
3,605,335	9/1971	Maitland	D11/145
4,108,084	8/1978	Fink	D6/514
5,016,571	5/1991	Totaro	119/57.8

FOREIGN PATENT DOCUMENTS

0309156	3/1989	European Pat. Off.	119/57.8
14926	8/1897	Switzerland	119/69.5
0444041	3/1936	United Kingdom	119/69.5

OTHER PUBLICATIONS

Duncraft for the birds Catalog; p. 18 item No. 711, 711R, 719-Flight Dome for Your Windowsill.

Primary Examiner—Louis S. Zarfes
Assistant Examiner—Cathy Anne MacCormac
Attorney, Agent, or Firm—Wolf, Greenfield & Sacks

[57] CLAIM

The ornamental design for a combined domestic bird feeder and planter for window sill, as shown and described.

DESCRIPTION

FIG. 1 is a perspective view of a combined domestic bird feeder and planter for window sill showing my new design;
FIG. 2 is a front elevational view thereof;
FIG. 3 is a rear elevational view thereof;
FIG. 4 is a top plan view thereof;
FIG. 5 is a bottom plan view thereof;
FIG. 6 is a right side elevational view thereof; and,
FIG. 7 is a left side elevational view thereof.

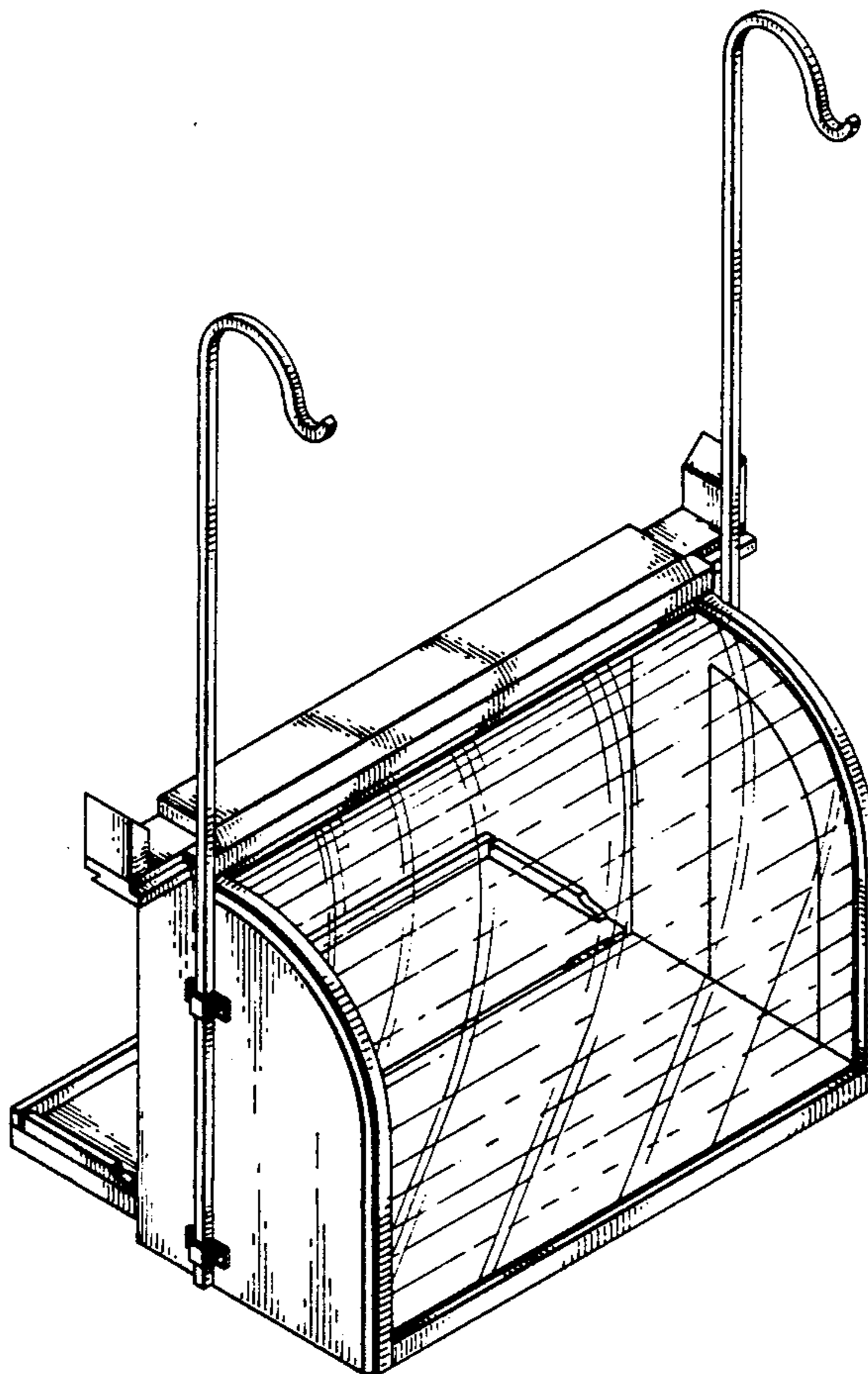
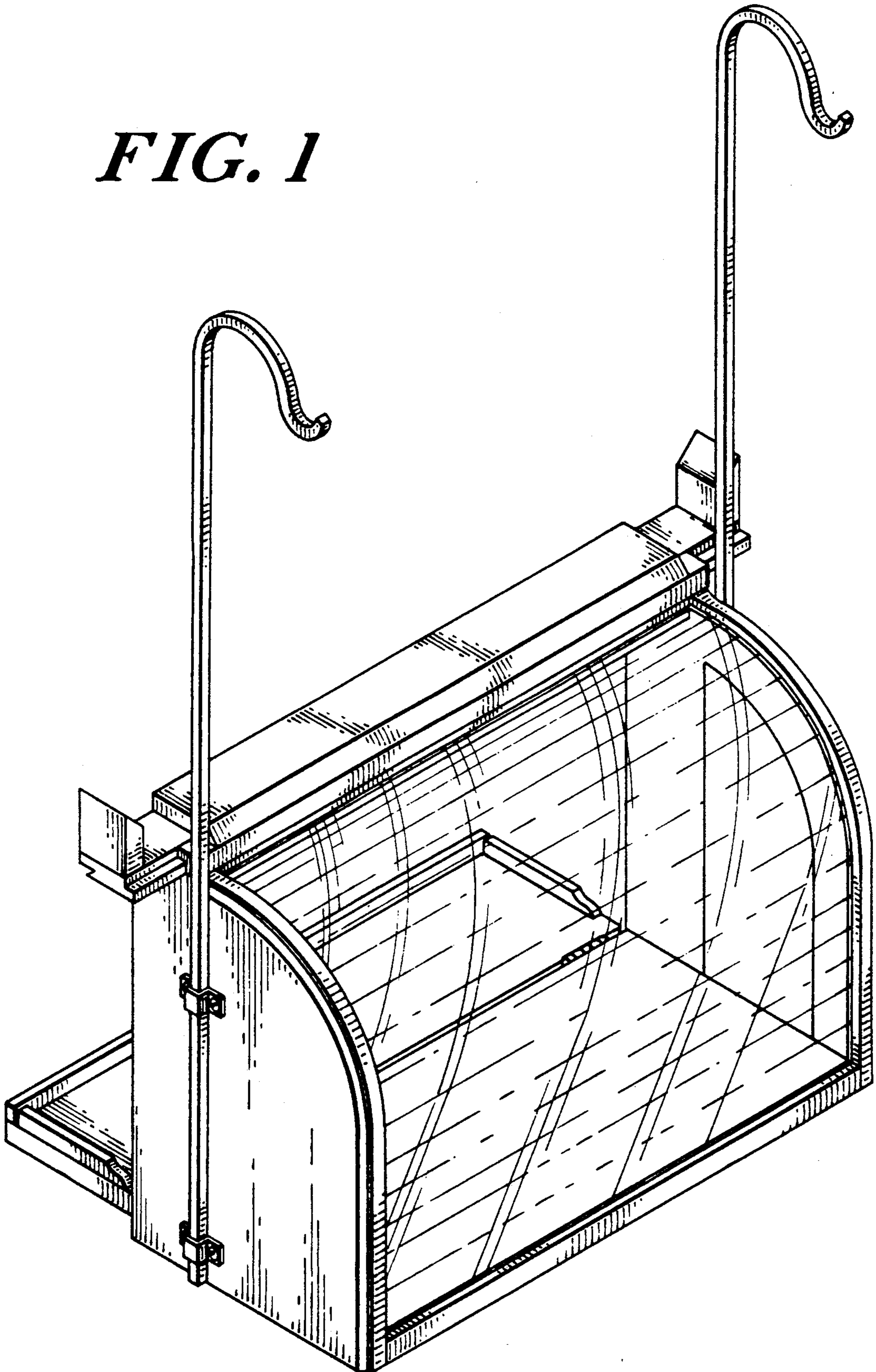


FIG. 1



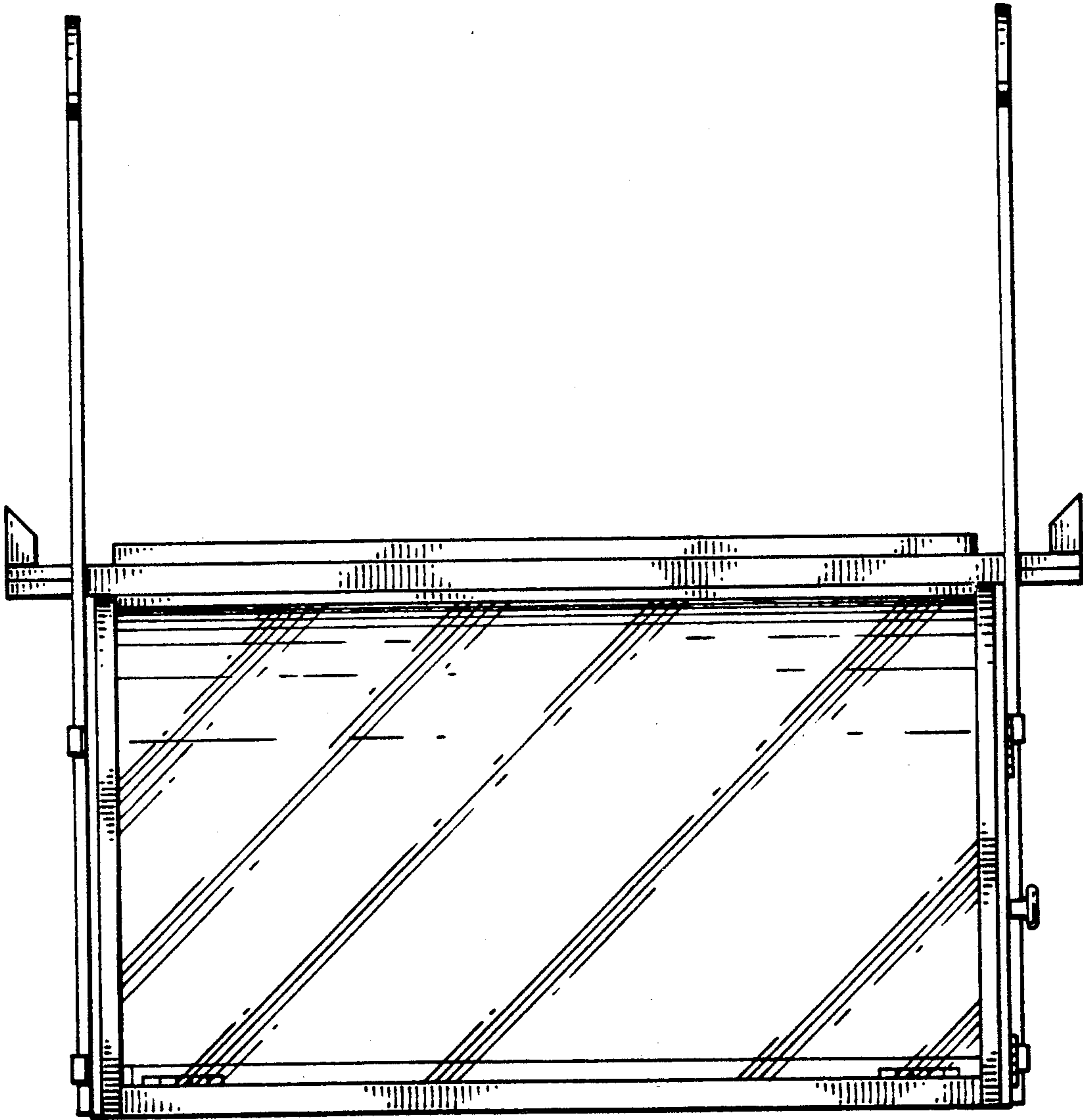


FIG. 2

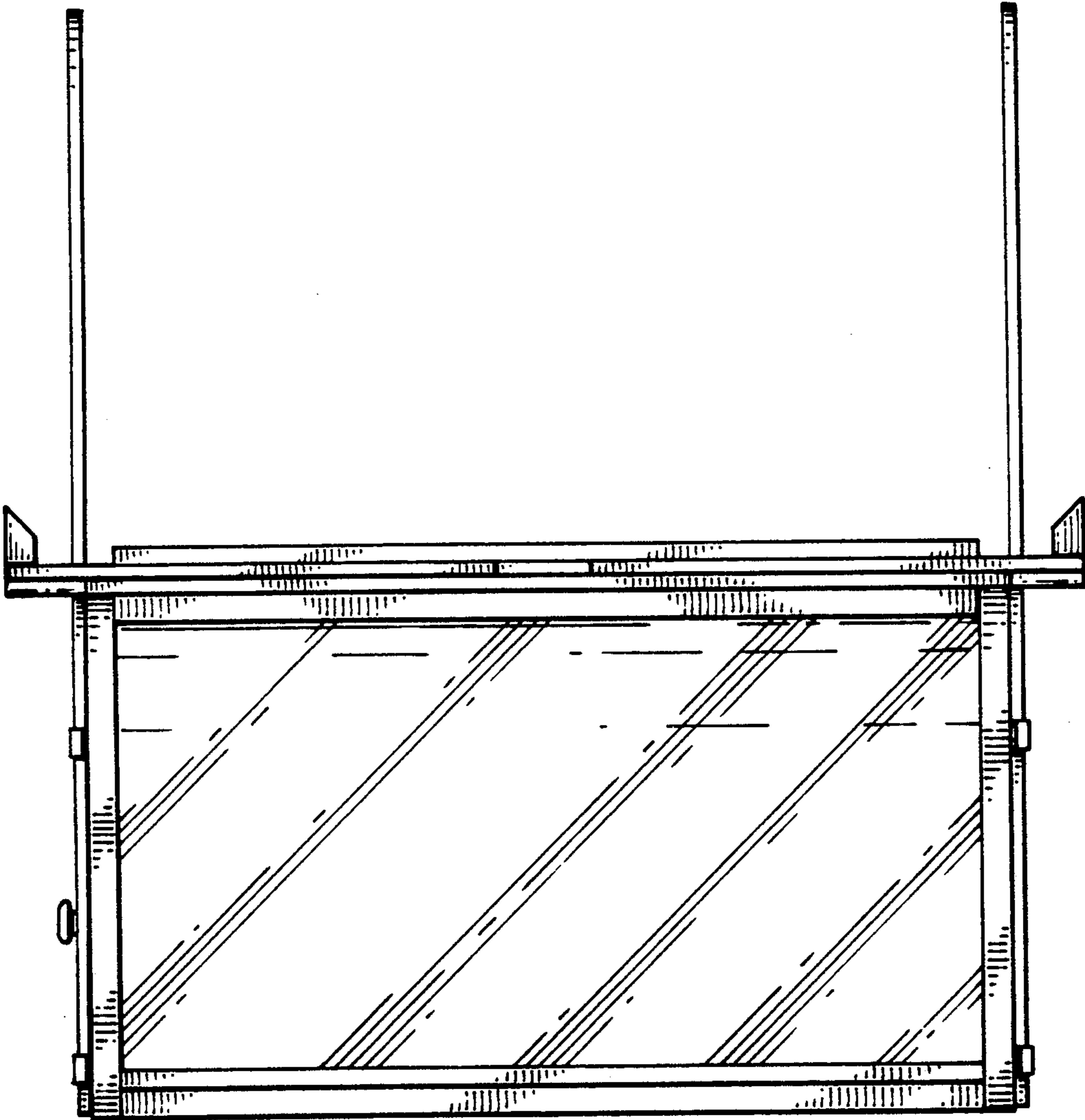


FIG. 3

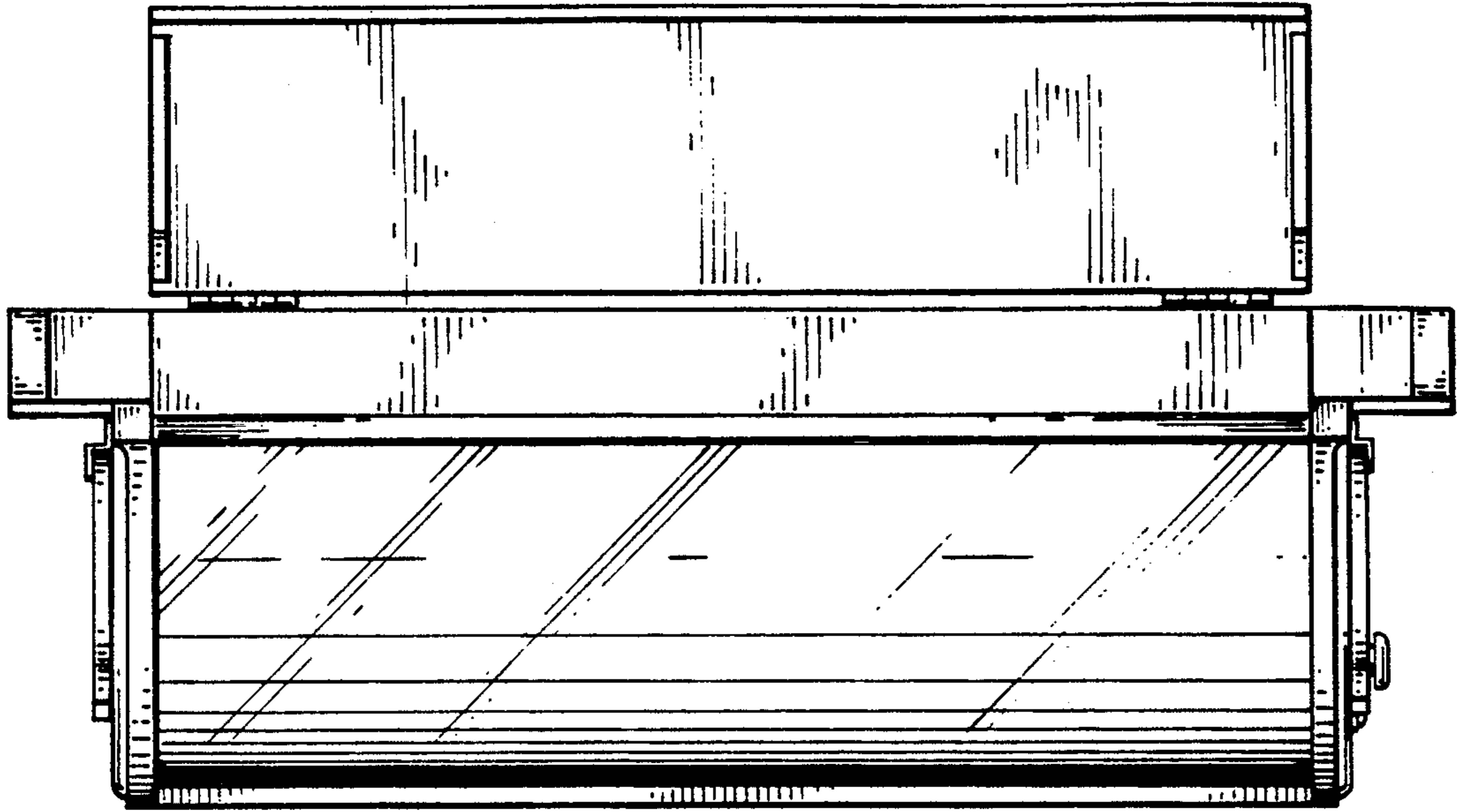


FIG. 4

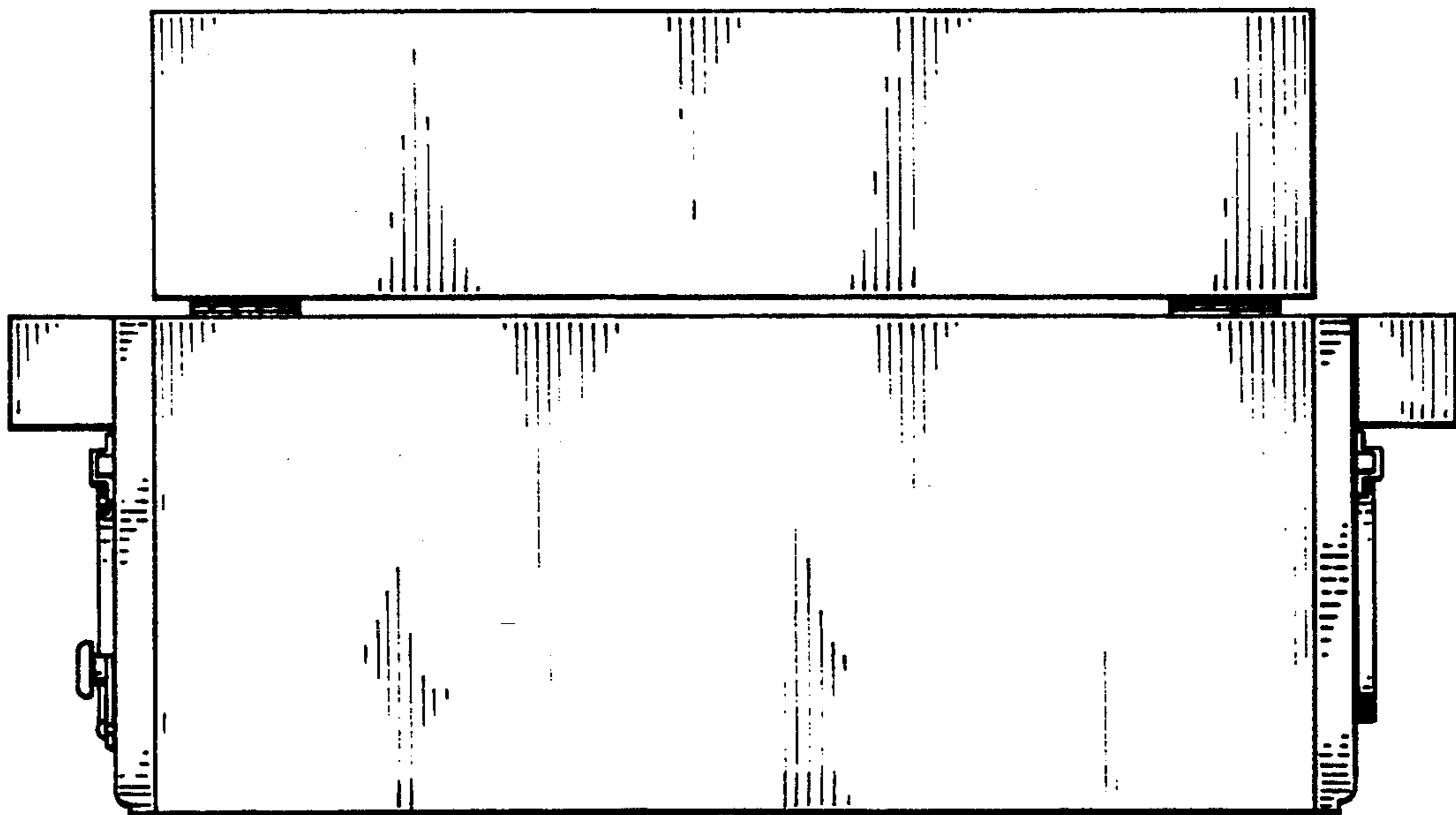


FIG. 5

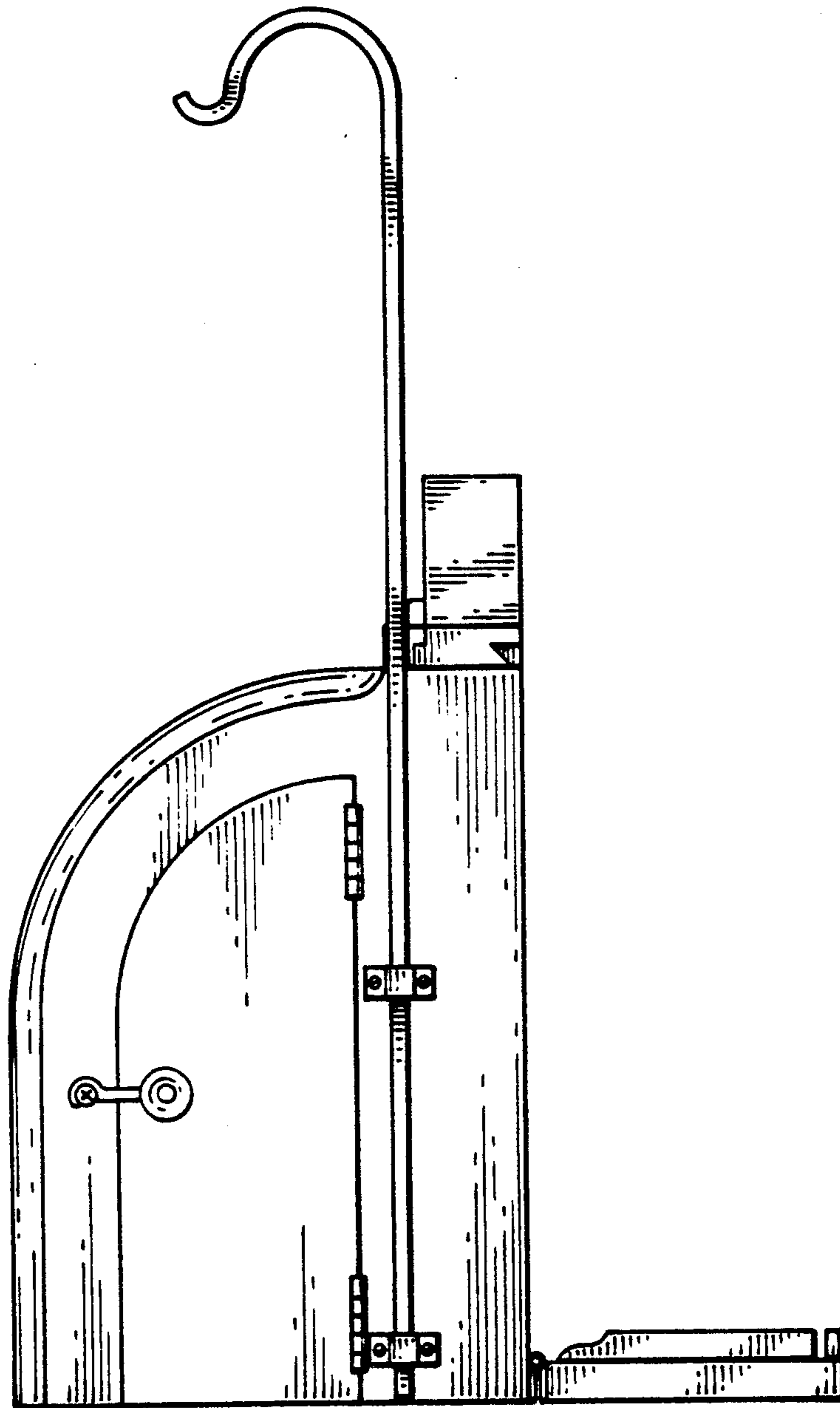


FIG. 6

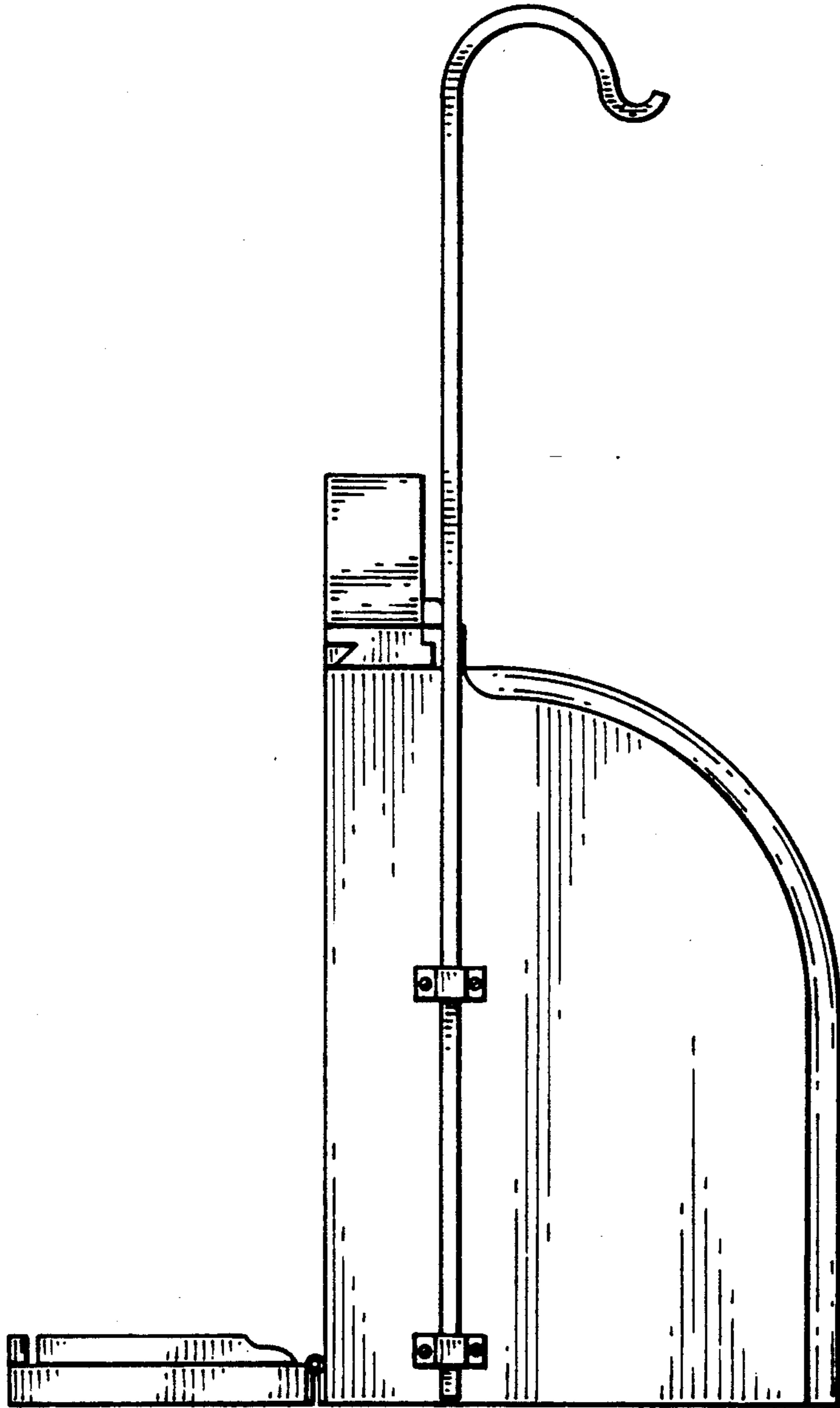


FIG. 7