



US00D334635S

United States Patent [19]

Wenstrand

[11] Patent Number: **Des. 334,635**

[45] Date of Patent: **** Apr. 6, 1993**

[54] **POULTRY WATERER**

[76] Inventor: **Thomas W. Wenstrand, R.R. 4,
Mount Pleasant, Iowa 52641**

[**] Term: **14 Years**

[21] Appl. No.: **775,369**

[22] Filed: **Oct. 15, 1991**

[52] U.S. Cl. **D30/128**

[58] Field of Search **D30/121-133;
119/51.5, 53, 74, 77, 71, 52.1**

3,866,576 2/1975 Downing 119/52.1
4,034,715 7/1977 Arner 119/51.5
4,651,679 3/1987 Fassauer 119/51.5

FOREIGN PATENT DOCUMENTS

68930 5/1915 Fed. Rep. of Germany 119/71
71644 8/1915 Fed. Rep. of Germany 119/71

Primary Examiner—A. Hugo Word
Assistant Examiner—Cathy Anne MacCormac
Attorney, Agent, or Firm—Henderson & Sturm

[57] CLAIM

The ornamental design for a poultry waterer, as shown and described.

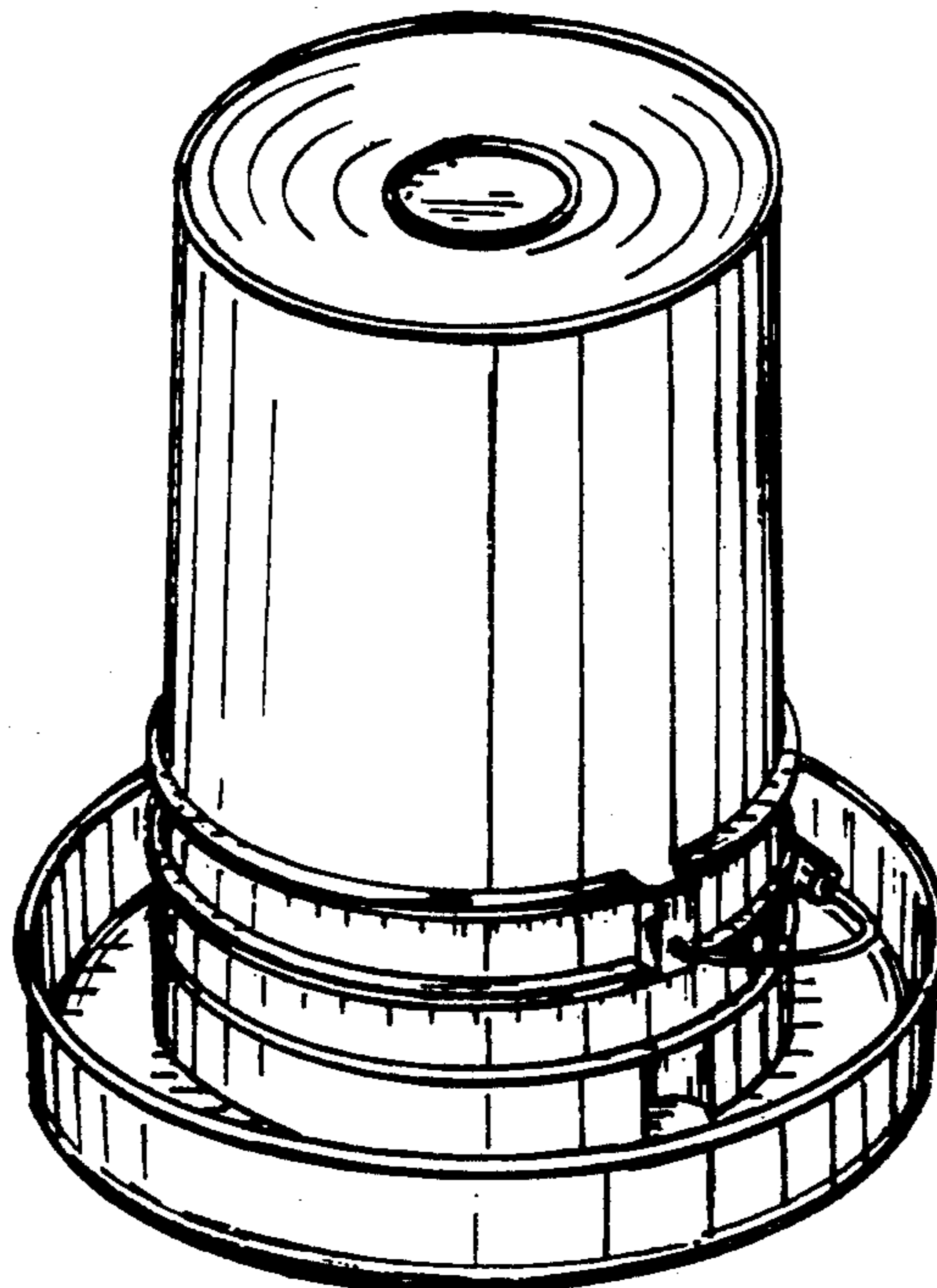
[56] References Cited

U.S. PATENT DOCUMENTS

D. 35,532 12/1901 Fisk D30/132
D. 300,276 3/1989 Bore D30/121
513,561 1/1894 Dodder 119/72
1,226,594 5/1917 Pruefert 119/77
1,851,278 3/1932 Hearn 119/77
1,909,401 5/1933 Hearn 119/77
2,570,376 10/1951 Quist 119/52.1
2,573,802 11/1951 Mitchell 119/77
2,615,425 10/1952 Berry 119/77
2,936,734 5/1960 Chestnut, Jr. et al. 119/52.1

DESCRIPTION

FIG. 1 is a perspective view of a poultry waterer showing my new design;
FIG. 2 is a top plan view thereof;
FIG. 3 is a side elevational view thereof the opposite side being a mirror image of the side shown;
FIG. 4 is a side elevational view at 90° from the side elevational of FIG. 3 the opposite side being a mirror image of the side shown; and,
FIG. 5 is a bottom plan view thereof.



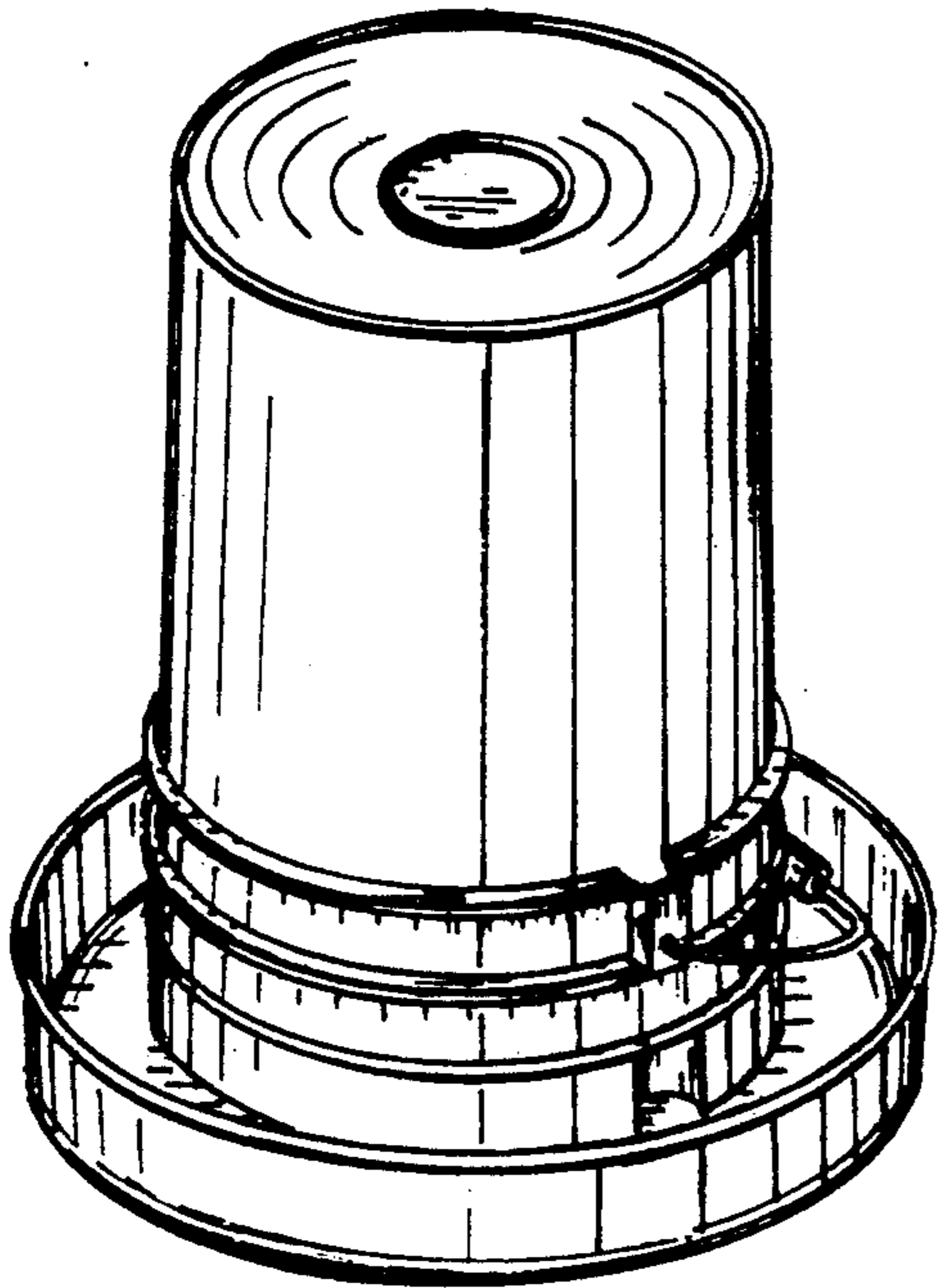


Fig. 1

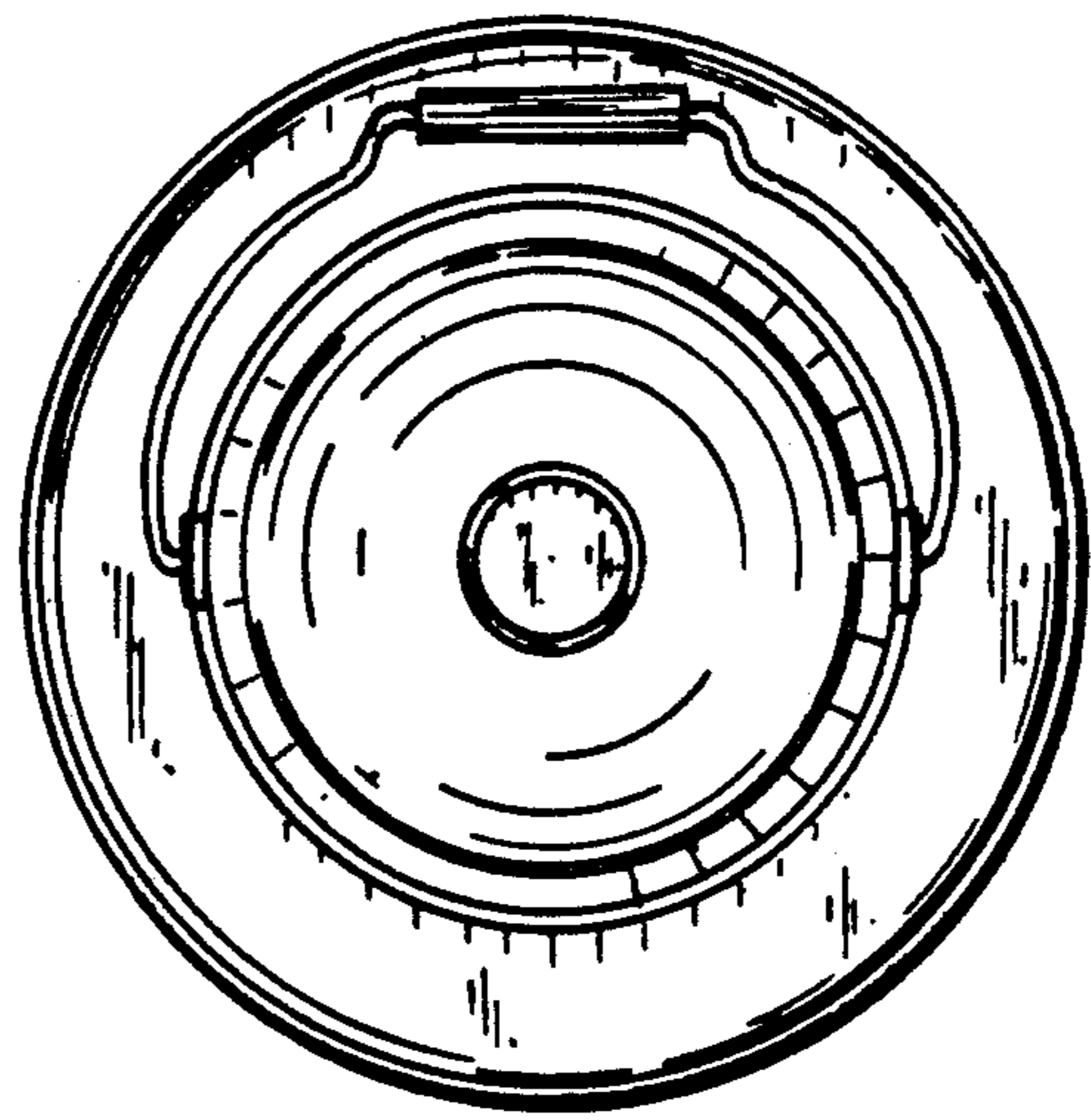


Fig. 2

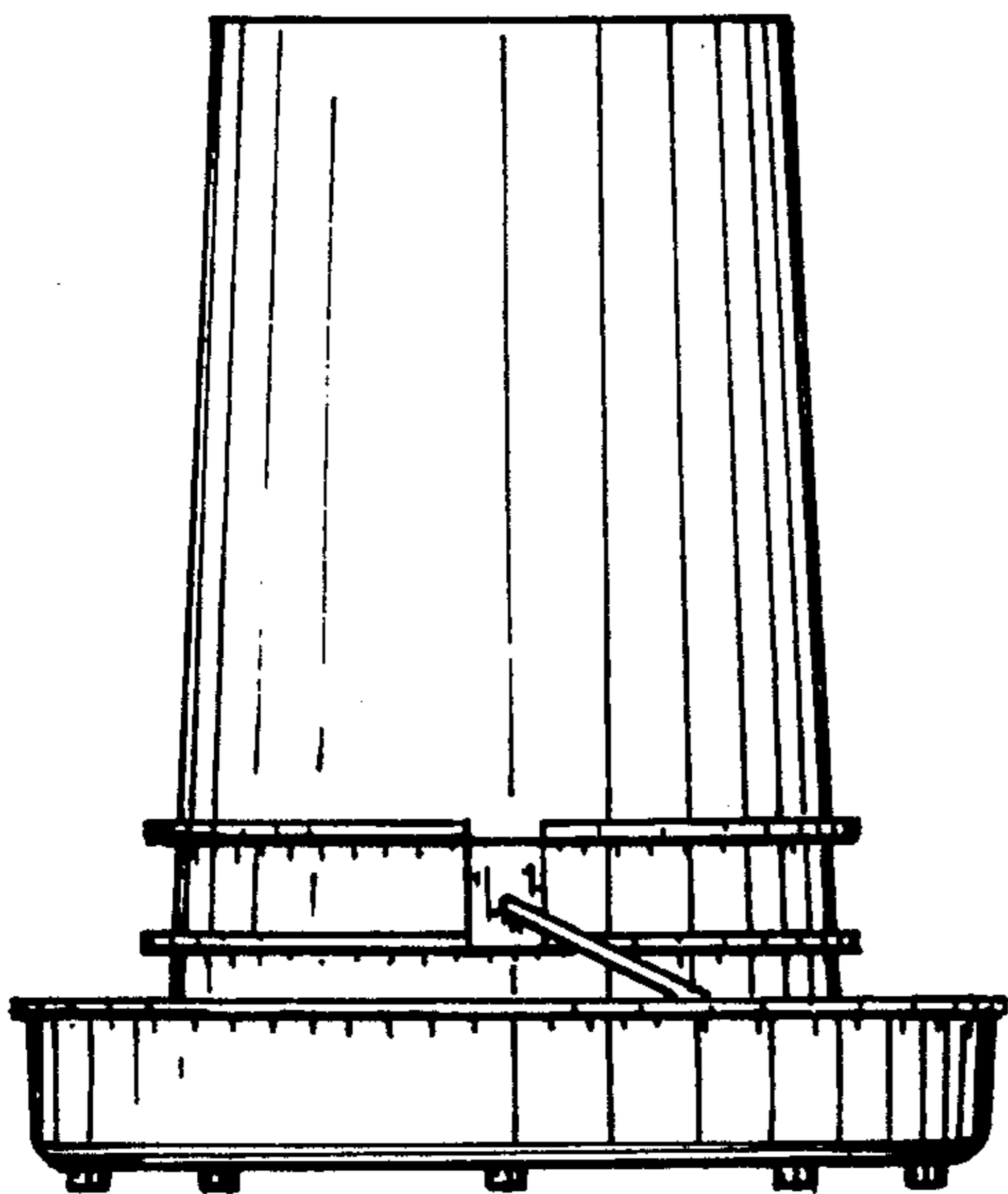


Fig. 3

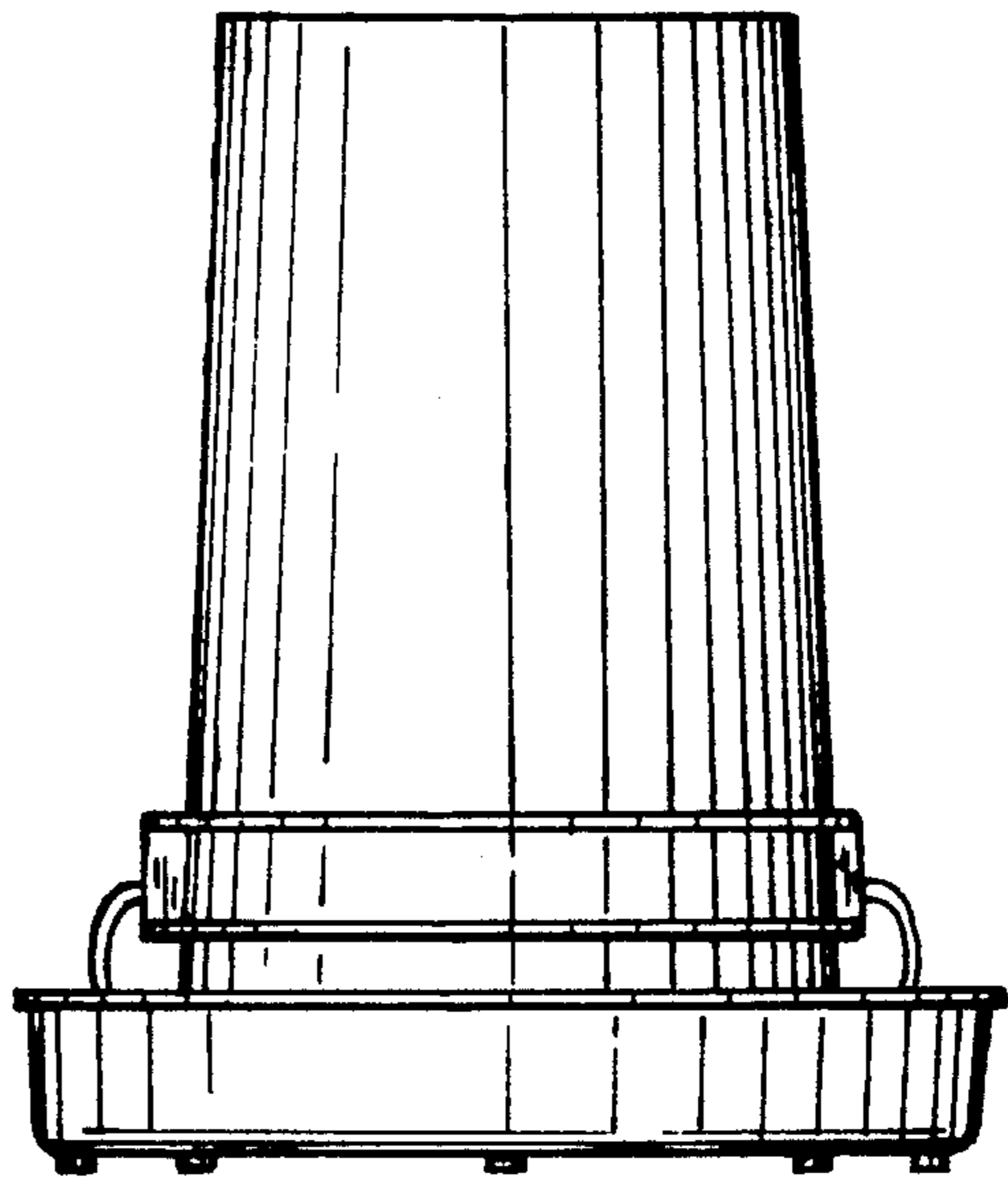


Fig. 4

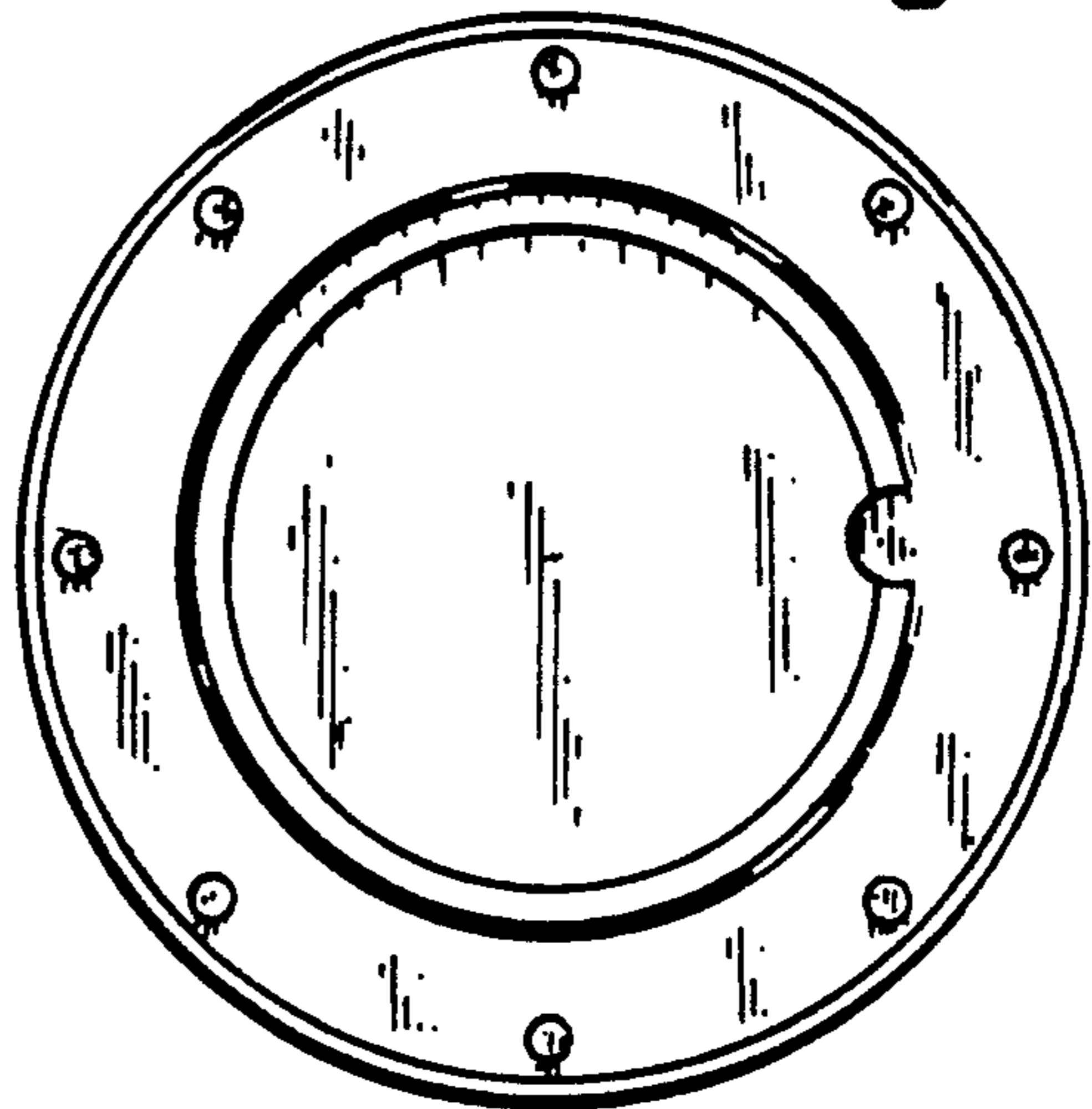


Fig. 5