



US00D334631S

United States Patent [19]

Jones

[11] Patent Number: **Des. 334,631**

[45] Date of Patent: **** Apr. 6, 1993**

- [54] **COMBINED CIGARETTE FILTER AND CONTAINER FOR CIGARETTE SMOKE**
- [76] Inventor: **William R. Jones, 313 N. Madison Ave., Ottumwa, Iowa 52501**
- [**] Term: **14 Years**
- [21] Appl. No.: **697,462**
- [22] Filed: **May 9, 1991**
- [52] U.S. Cl. **D27/194**
- [58] Field of Search **D27/194, 103; 131/189, 131/188, 330**

- 4,250,900 2/1981 Campbell et al. 131/189
- 4,369,798 1/1983 Jackson 131/330

Primary Examiner—Wallace R. Burke
Assistant Examiner—H. Baynham
Attorney, Agent, or Firm—Terry M. Gernstein

[57] CLAIM

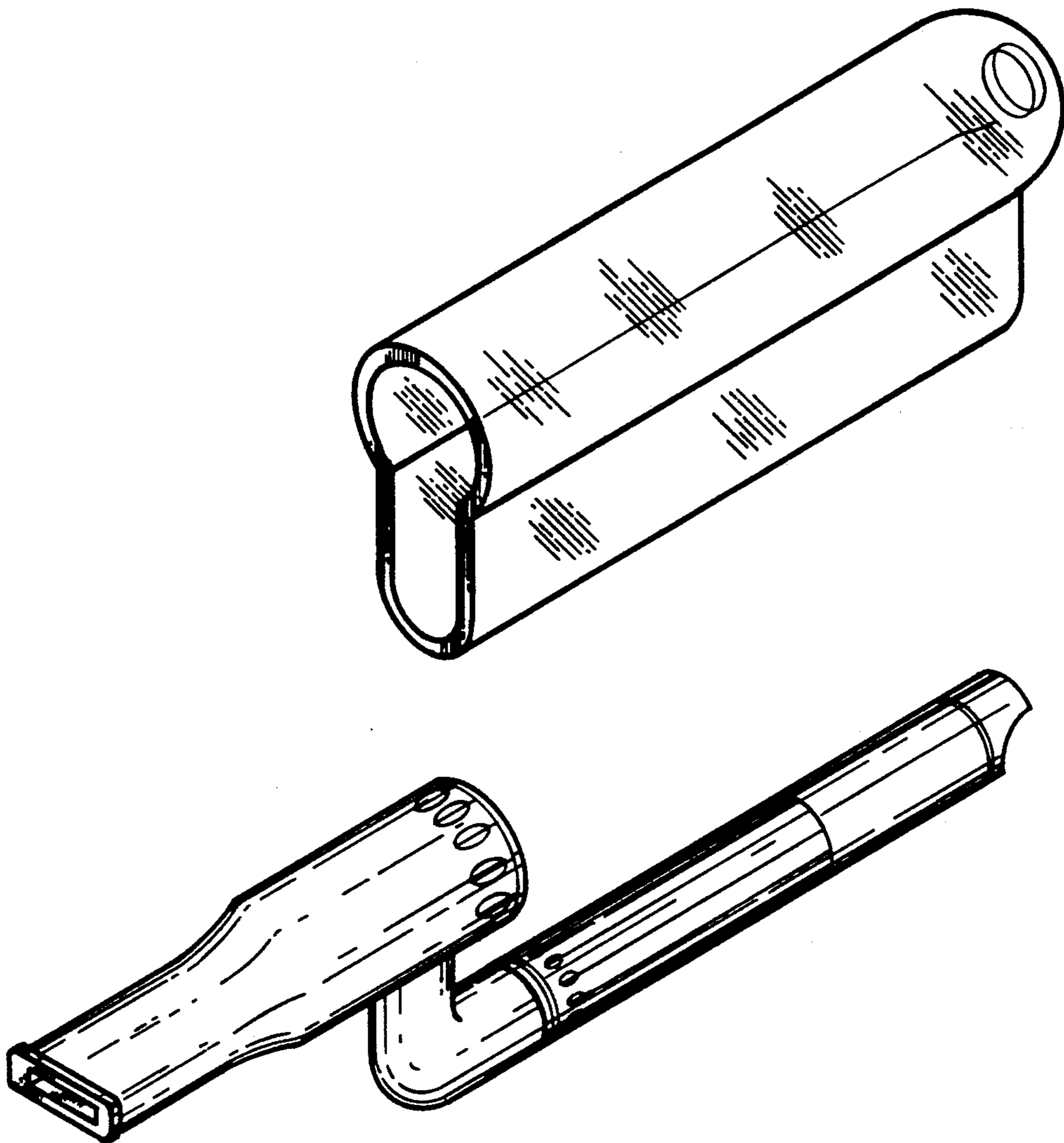
The ornamental design for a combined cigarette filter and container for cigarette smoke, as shown and described.

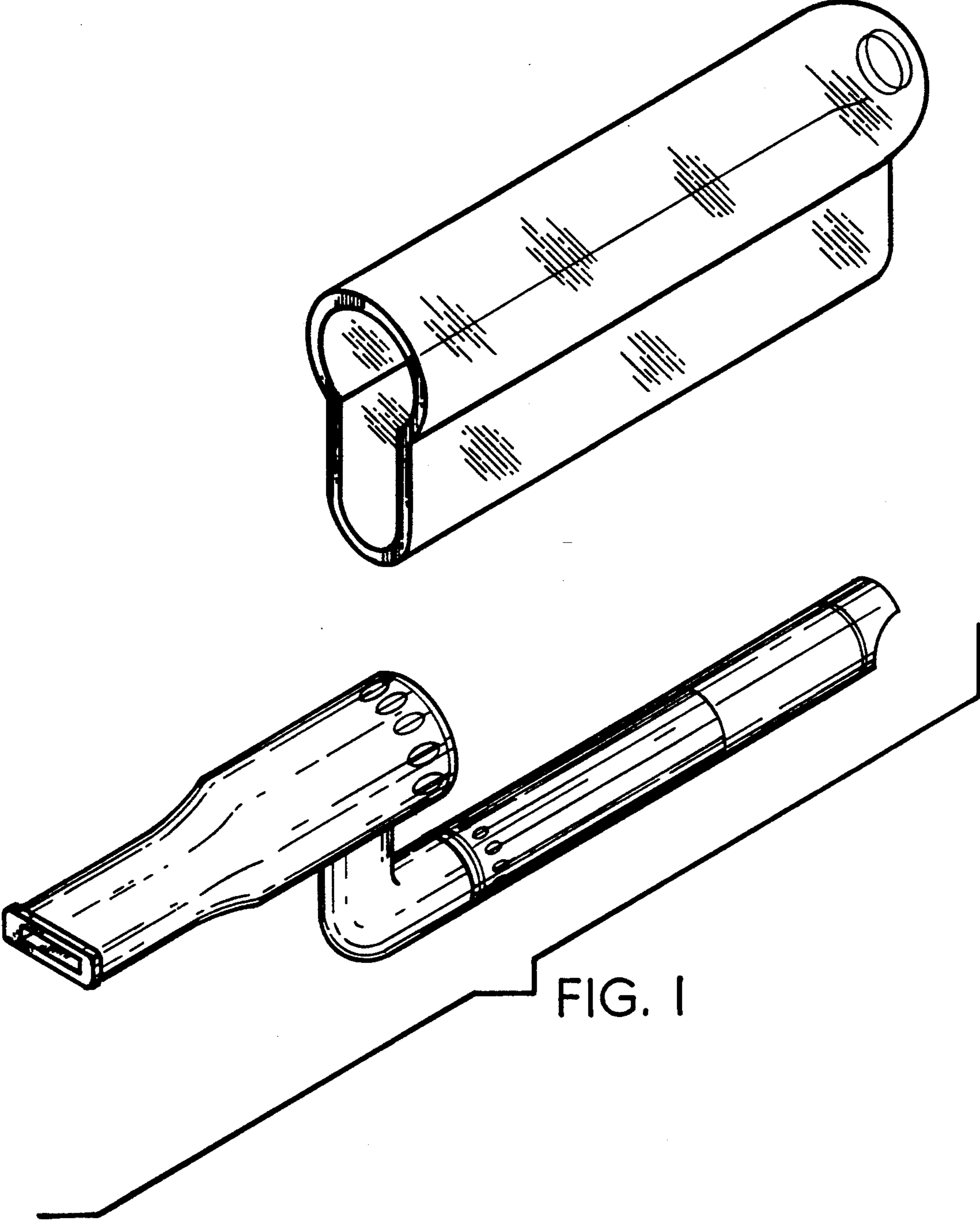
DESCRIPTION

FIG. 1 is a perspective view of a combined cigarette filter and container for cigarette smoke showing my new design;
 FIG. 2 is a front elevational view thereof;
 FIG. 3 is a rear elevational view thereof;
 FIG. 4 is a side elevational view thereof with the opposite side being a mirror image thereof;
 FIG. 5 is a top plan view thereof; and,
 FIG. 6 is a bottom plan view thereof.

[56] **References Cited**
U.S. PATENT DOCUMENTS

- D. 127,710 3/1941 Deitch D27/103
- 132,685 10/1872 Olney 131/189
- D. 152,624 2/1949 Krohnengold D27/103
- 195,973 10/1877 Brinker 131/189
- 1,898,841 2/1933 Klenk 206/265 X
- 3,757,803 9/1973 Chiang 131/188





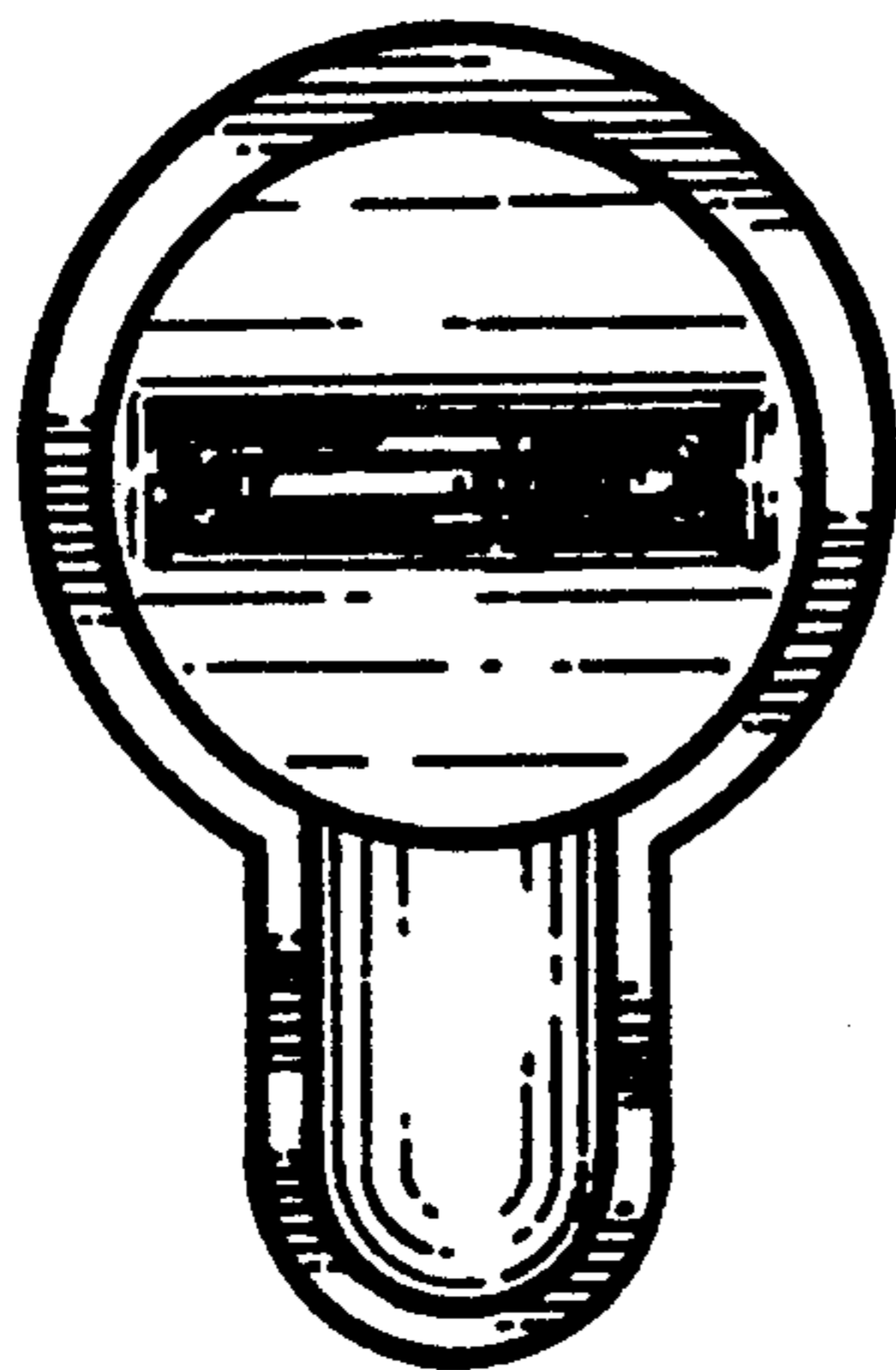


FIG. 2

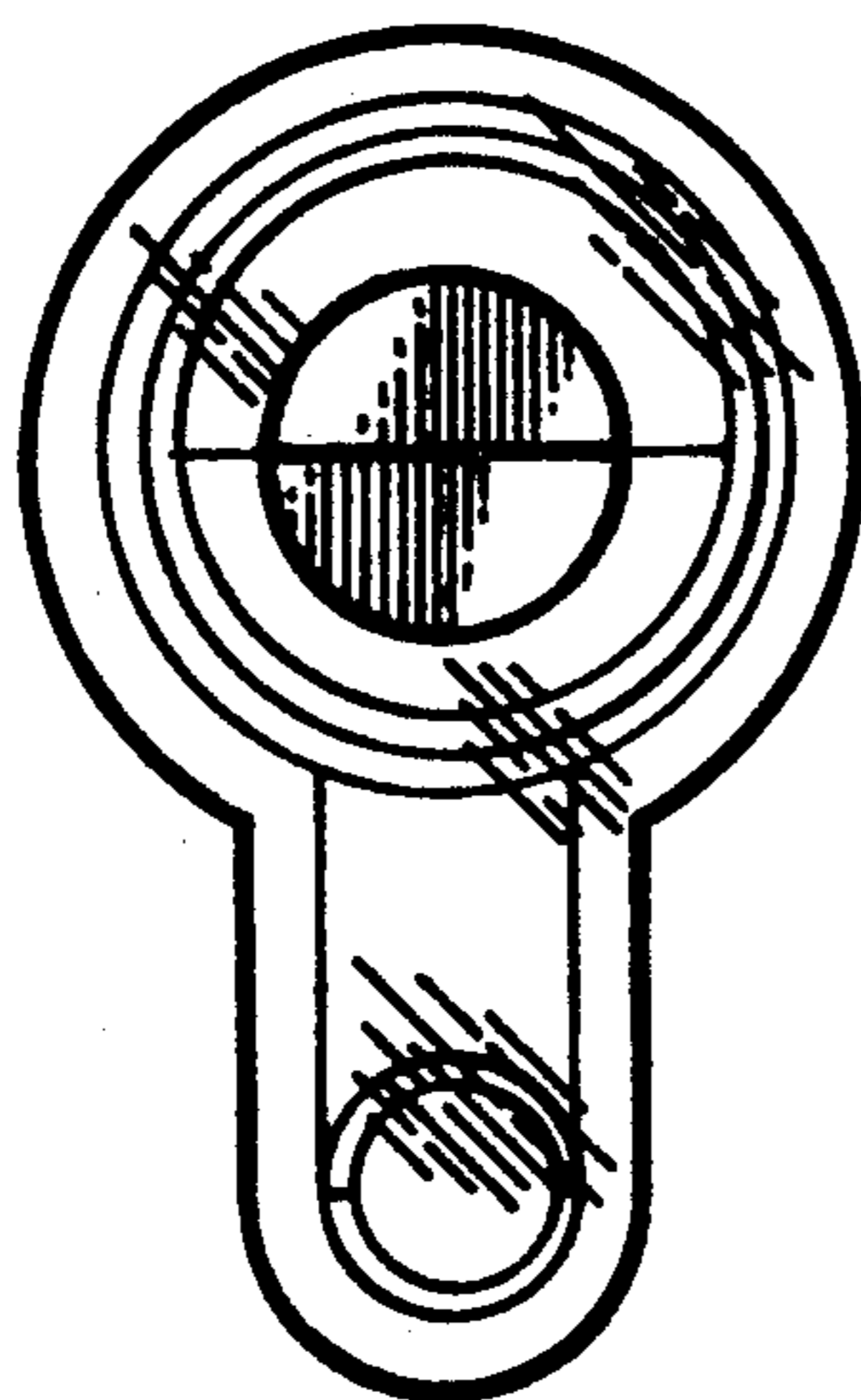


FIG. 3

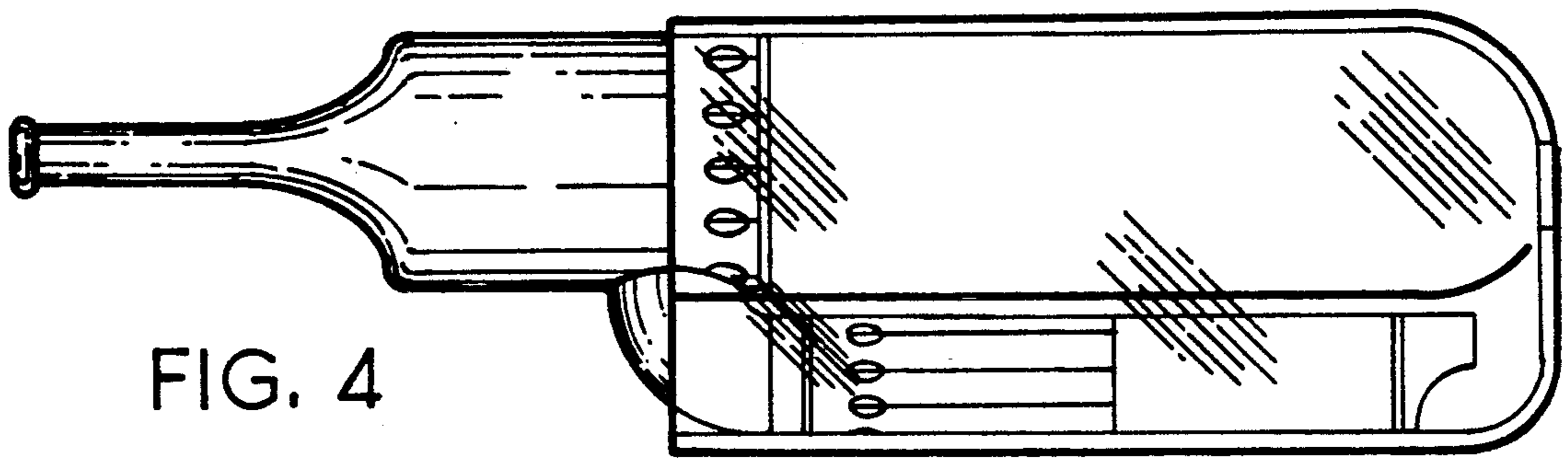


FIG. 4

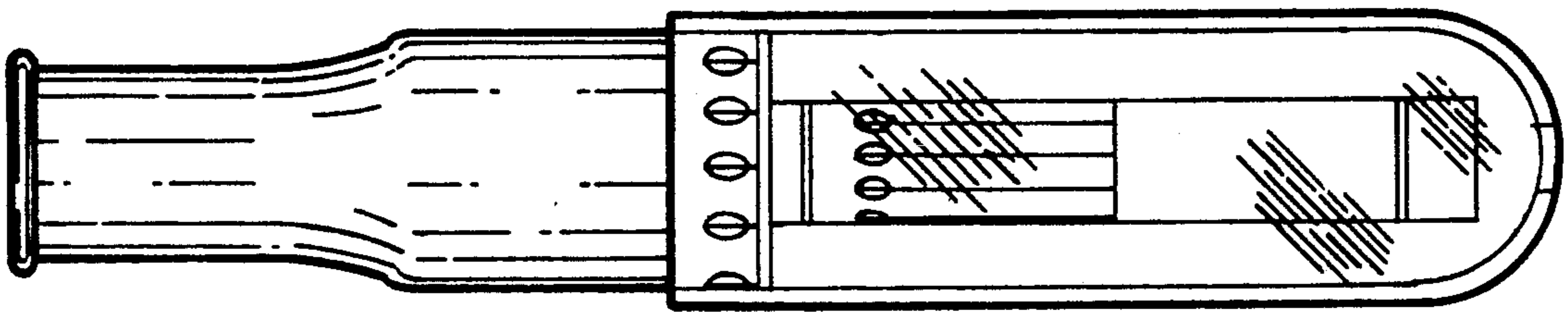


FIG. 5

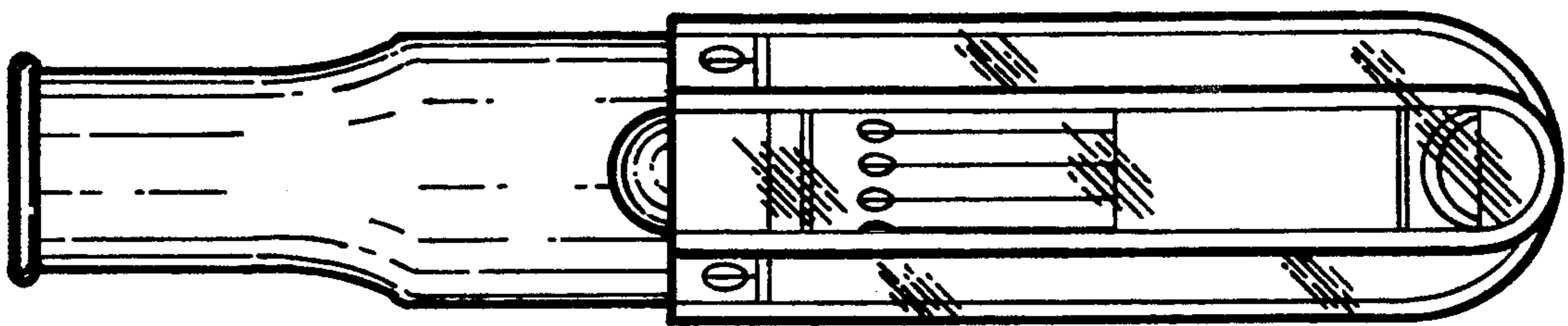


FIG. 6