



US00D334628S

United States Patent [19]
Cole

[11] **Patent Number: Des. 334,628**
[45] **Date of Patent: ** Apr. 6, 1993**

[54] **CASEMENT WINDOW T-BAR EXTRUSION**

[75] **Inventor: Douglas L. Cole, Seattle, Wash.**

[73] **Assignee: Mikron Industries, Kent, Wash.**

[**] **Term: 14 Years**

[21] **Appl. No.: 687,530**

[22] **Filed: Apr. 18, 1991**

[52] **U.S. Cl. D25/124**

[58] **Field of Search D25/52, 119-125;
52/202, 204; 49/501, 504, DIG. 2, 404, 413,
419, 75, 139, 150, 153, 246, 408**

[56]

References Cited

U.S. PATENT DOCUMENTS

- D. 300,367 3/1989 Reisinger et al. D25/122
- D. 308,251 5/1990 Hardy D25/124
- D. 313,656 1/1991 Westphal et al. D25/124
- 3,845,585 11/1974 Cecil 49/153

Primary Examiner—A. Hugo Word
Assistant Examiner—Doris Clark
Attorney, Agent, or Firm—Seed and Berry

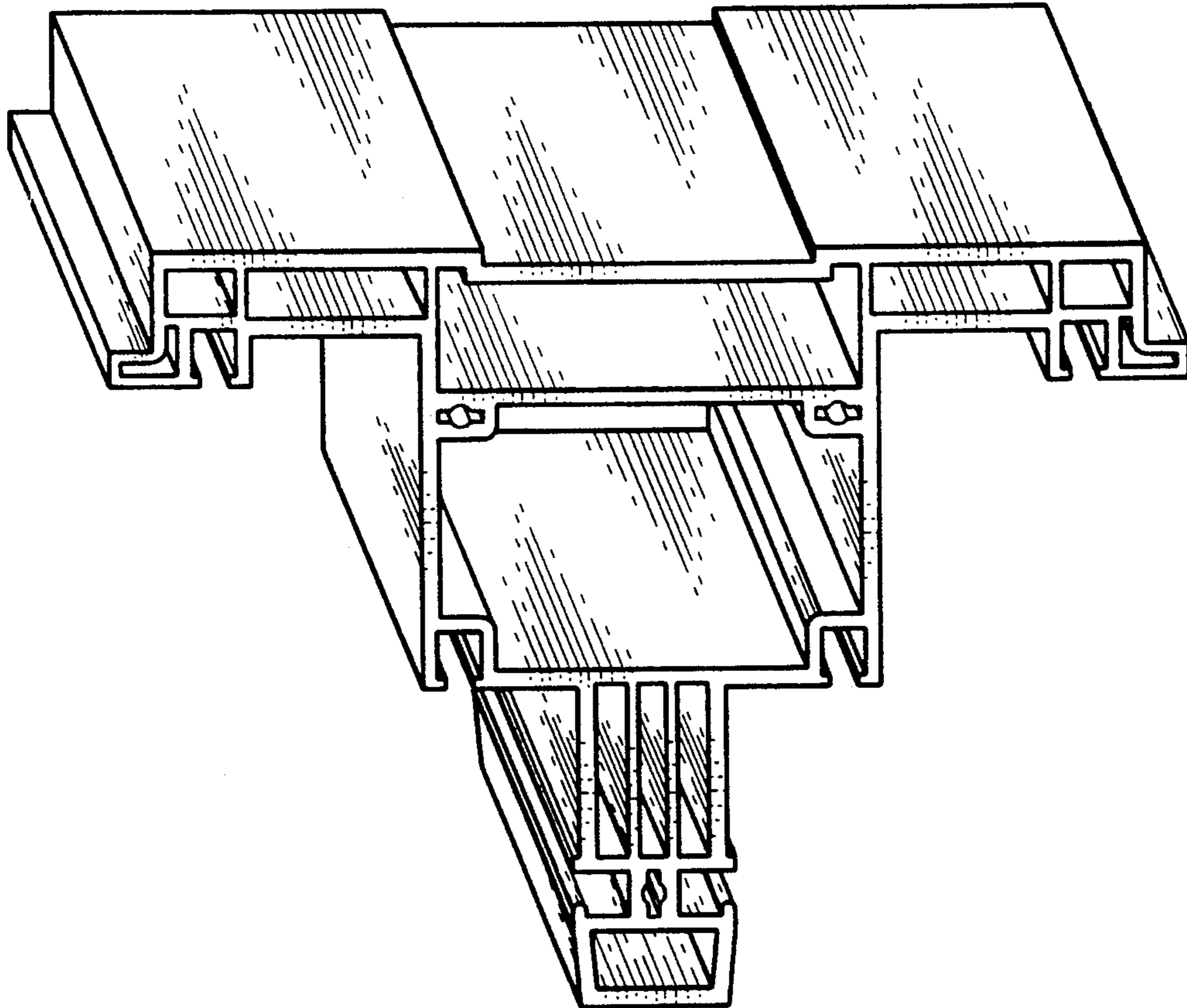
[57]

CLAIM

The ornamental design for a casement window T-bar extrusion, as shown and described.

DESCRIPTION

FIG. 1 is a top, right, perspective view of a casement window T-bar extrusion showing my new design; and, FIG. 2 is a bottom, left, perspective view thereof.



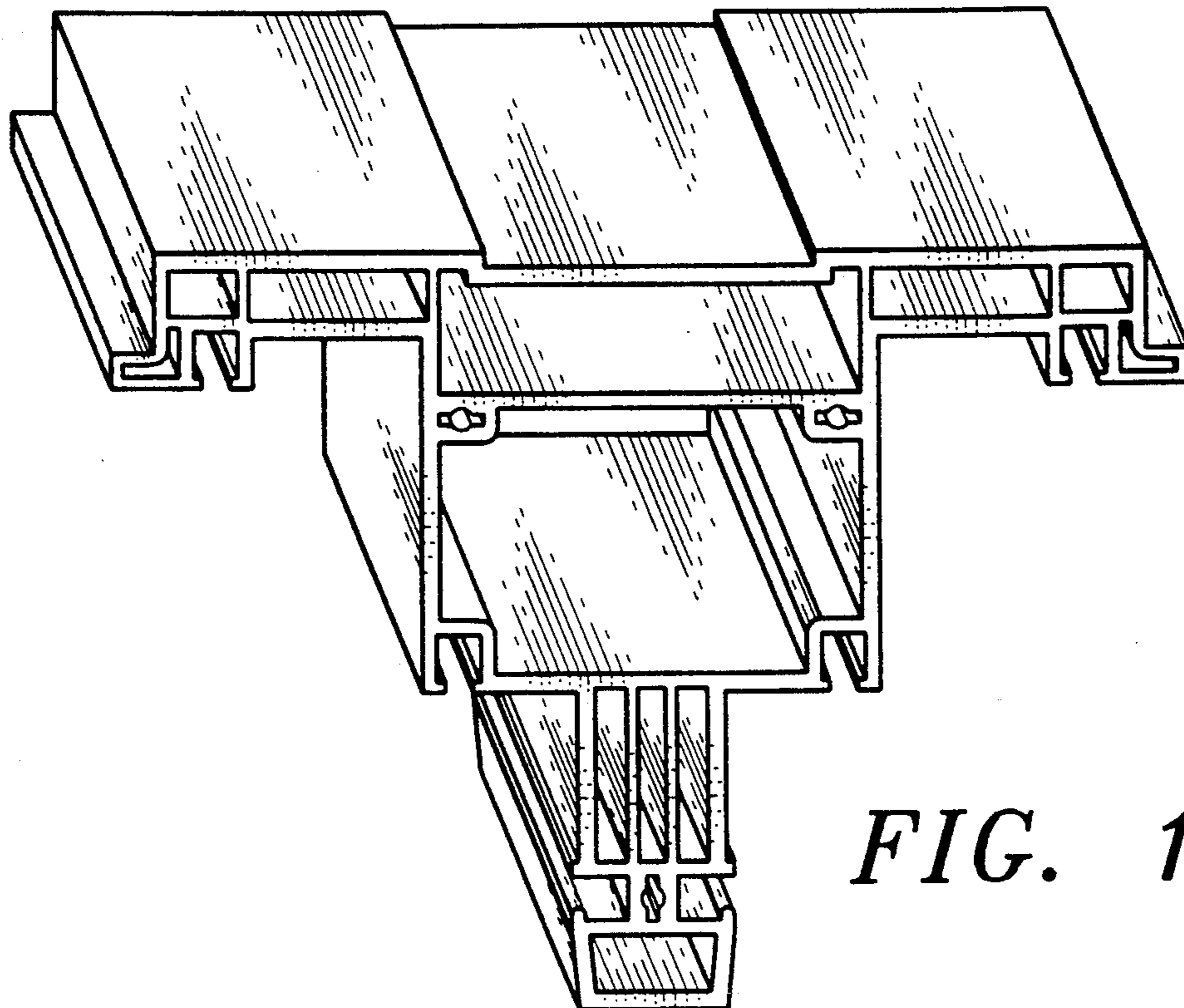


FIG. 1

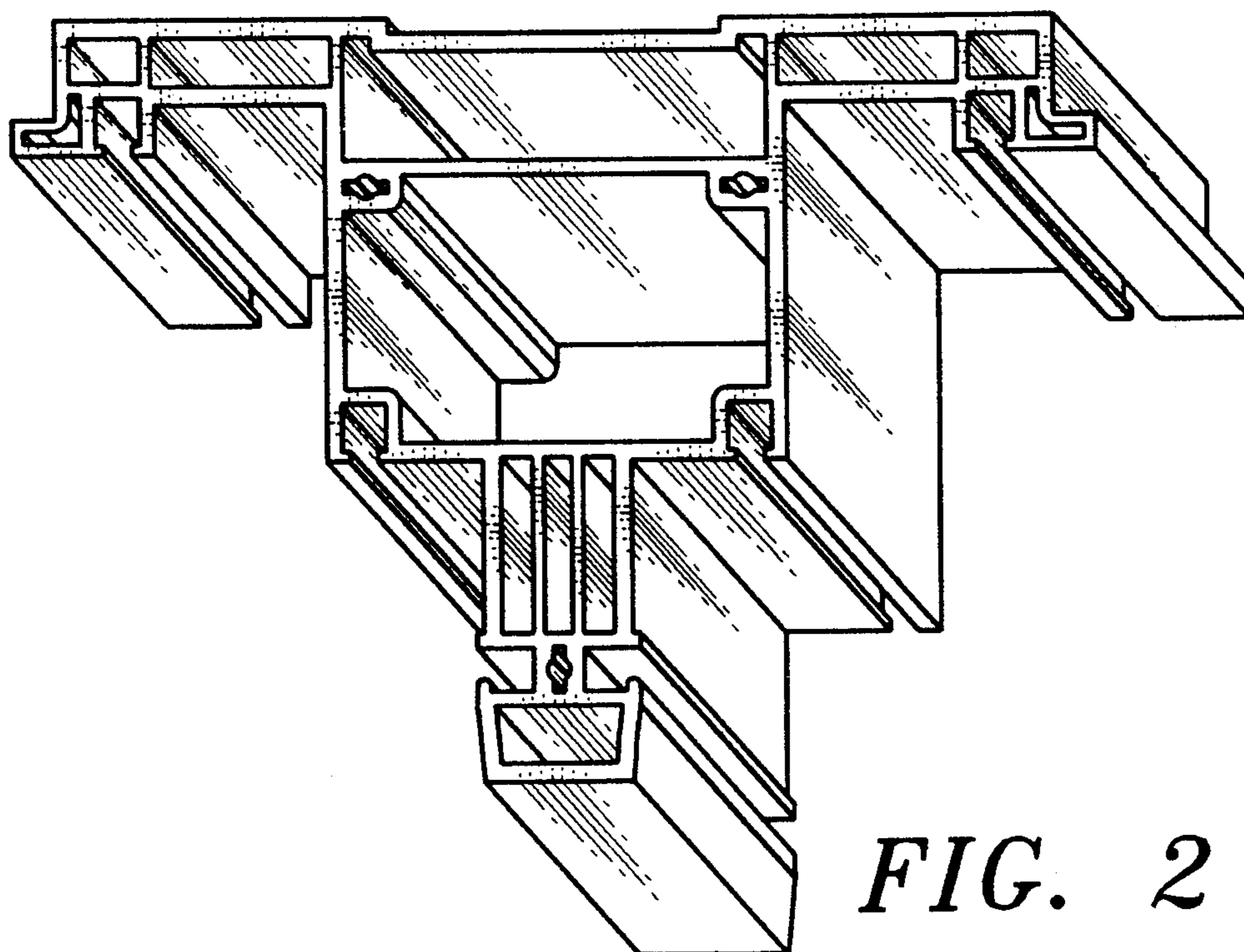


FIG. 2