



US00D334624S

United States Patent [19]

[11] Patent Number: **Des. 334,624**

Kasman

[45] Date of Patent: **** Apr. 6, 1993**

[54] **CHEMICAL DRYER**

[75] Inventor: **David H. Kasman, Holliston, Mass.**

[73] Assignee: **Laboratory Devices, Inc., Holliston, Mass.**

[**] Term: **14 Years**

[21] Appl. No.: **695,757**

[22] Filed: **May 6, 1991**

[52] U.S. Cl. **D24/216; D15/144.1; D24/232**

[58] Field of Search **D15/144, 144.1; D24/216, 231, 232; 34/156; 73/23.31, 863, 863.11, 863.12, 863.33, 863.71, 863.73, 863.81, 863.91, 431; 219/201, 385, 386; 354/321**

[56] **References Cited**

U.S. PATENT DOCUMENTS

- D. 206,874 2/1967 Newman D24/216 X
- D. 229,048 11/1973 Newman D24/216
- 3,636,771 1/1972 Grove 73/863
- 4,689,204 8/1987 Buck et al. 73/863 X

OTHER PUBLICATIONS

Advertising Brochure, Laboratory Devices, Box 6402, Holliston, MA 01746-6402.

Excerpt From Scientific Products 1991-1992 Catalog, p. 906, Baxter Diagnostics, Inc., Scientific Products Division, 1430 Waukegan Road, McGraw Park, IL 60085-6787.

Primary Examiner—Alan P. Douglas

Assistant Examiner—Antoine D. Davis

Attorney, Agent, or Firm—Cesari and McKenna

[57] **CLAIM**

The ornamental design for a chemical dryer, as shown.

DESCRIPTION

FIG. 1 is a top, front and right side perspective view of a chemical dryer showing my new design;

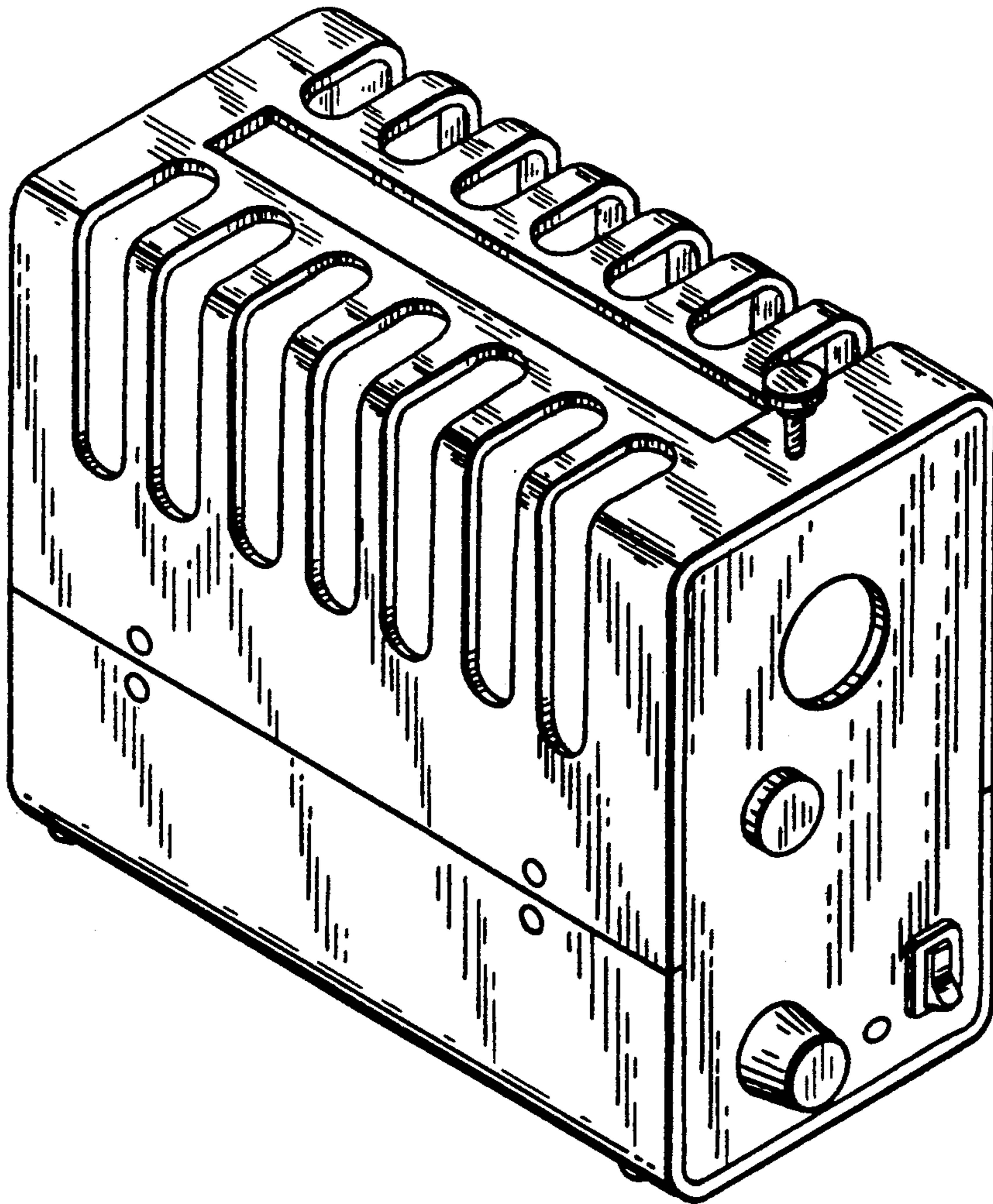
FIG. 2 is a top plan view thereof;

FIG. 3 is a left side elevational view thereof;

FIG. 4 is a right side elevational view thereof;

FIG. 5 is a rear elevational view thereof; and,

FIG. 6 is a bottom plan view thereof.



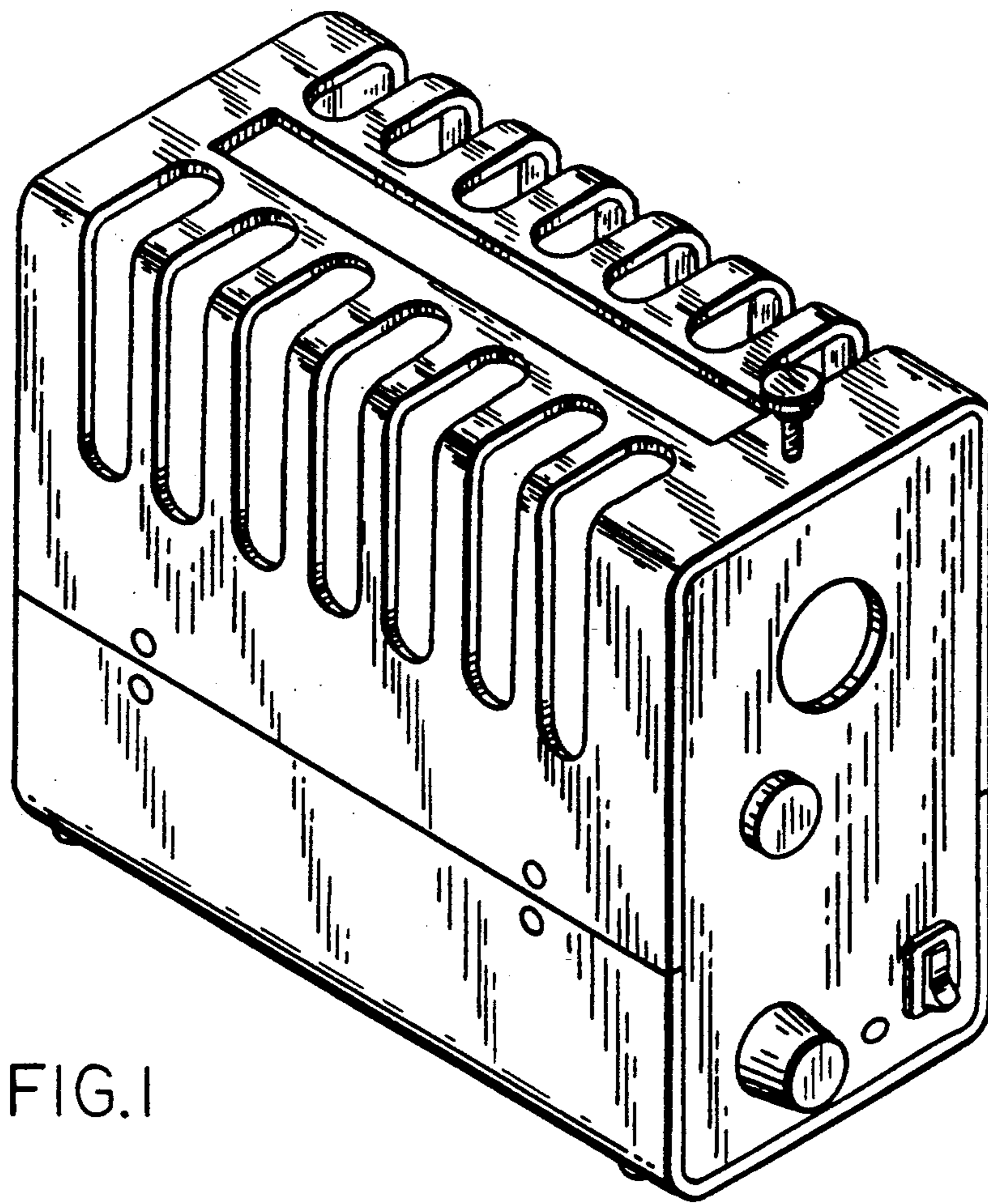


FIG. 1

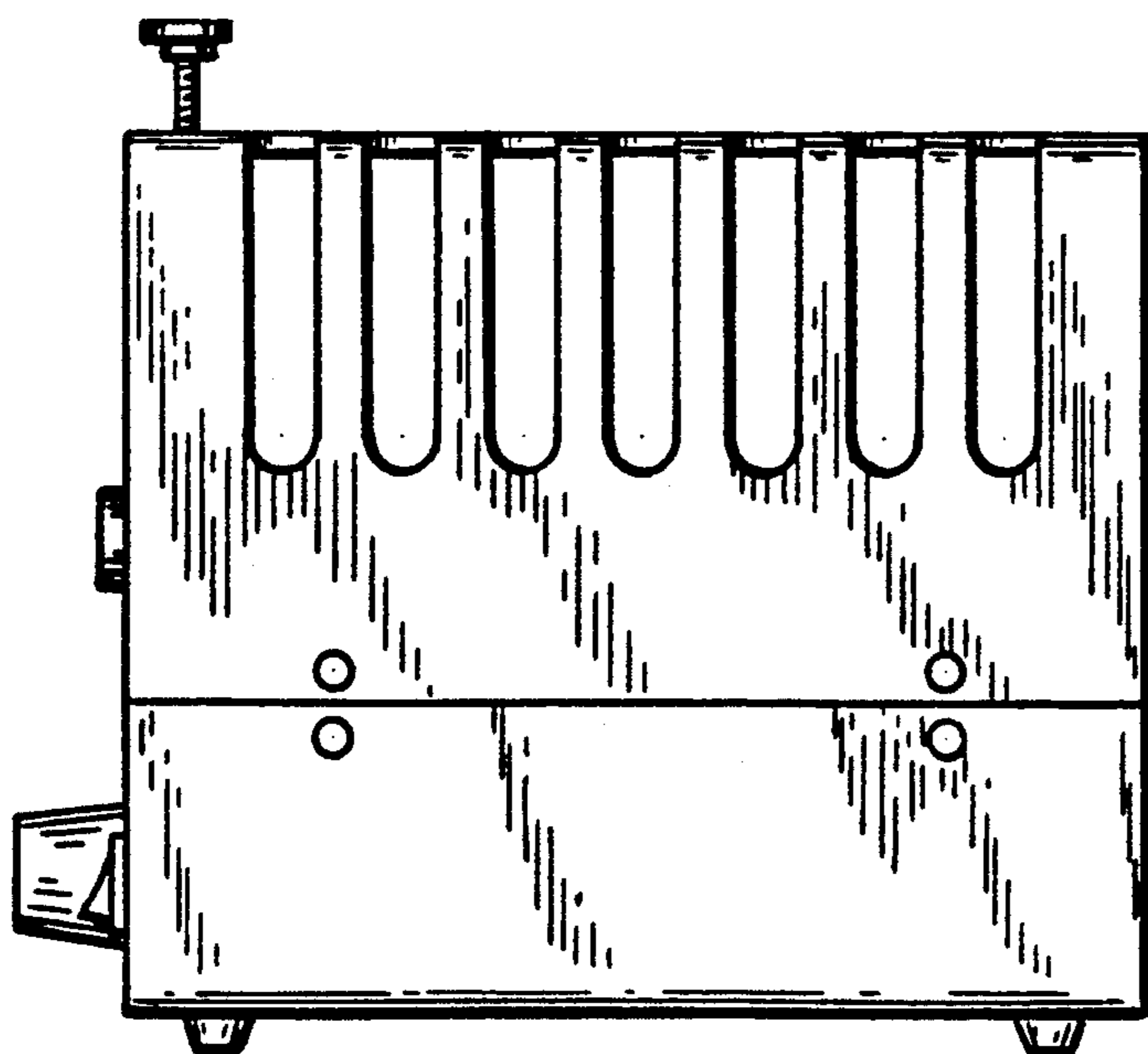


FIG. 4

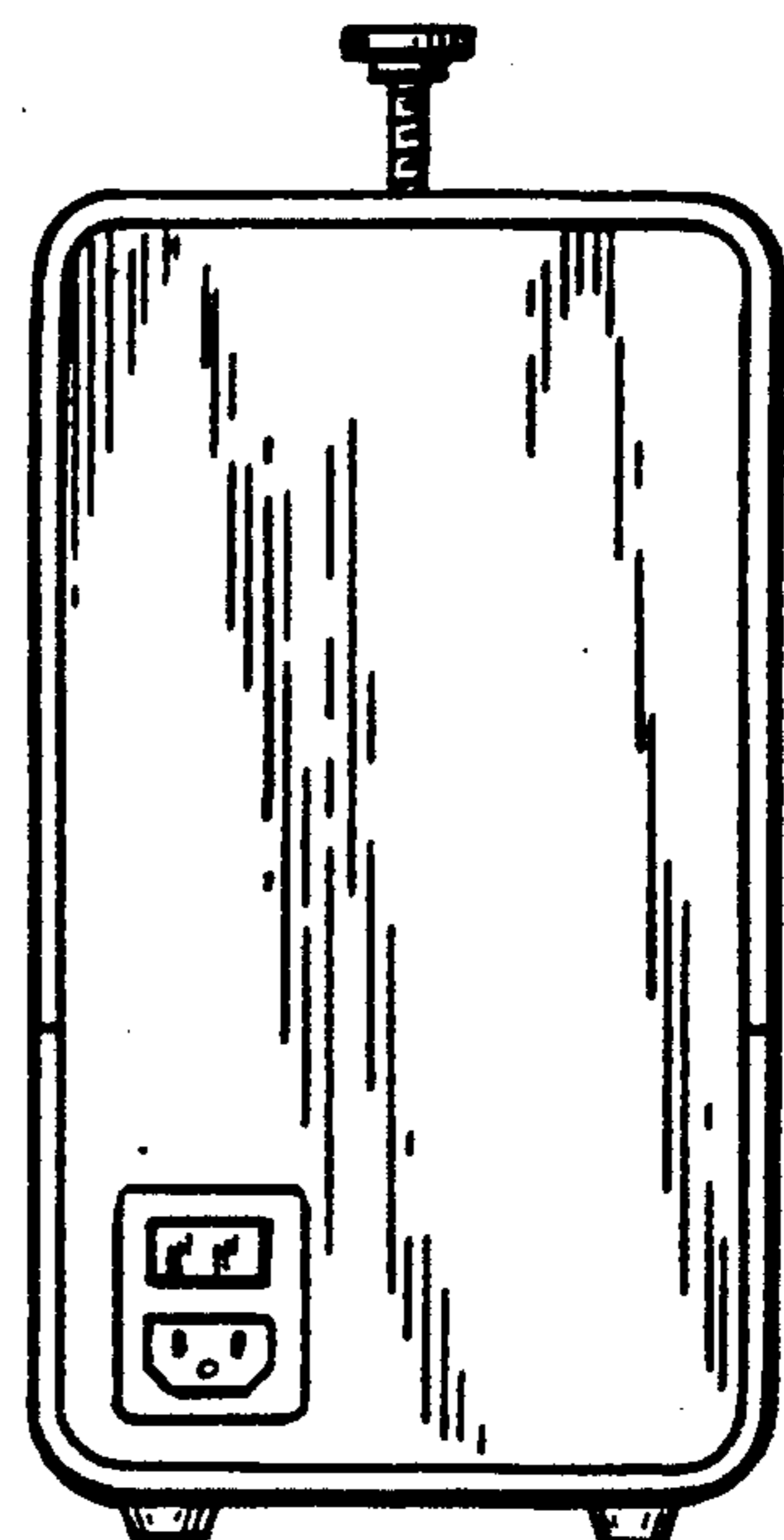


FIG. 5

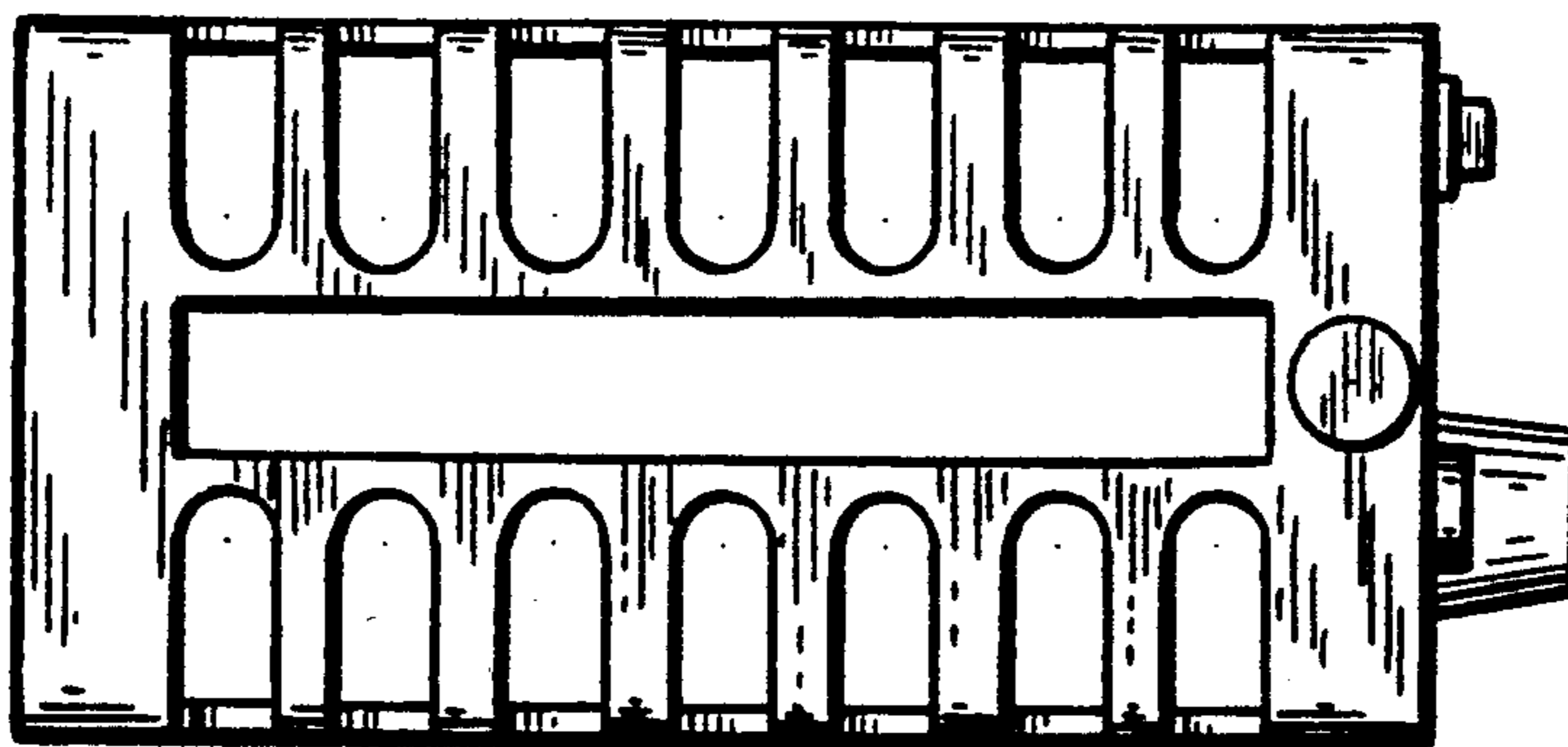


FIG. 2

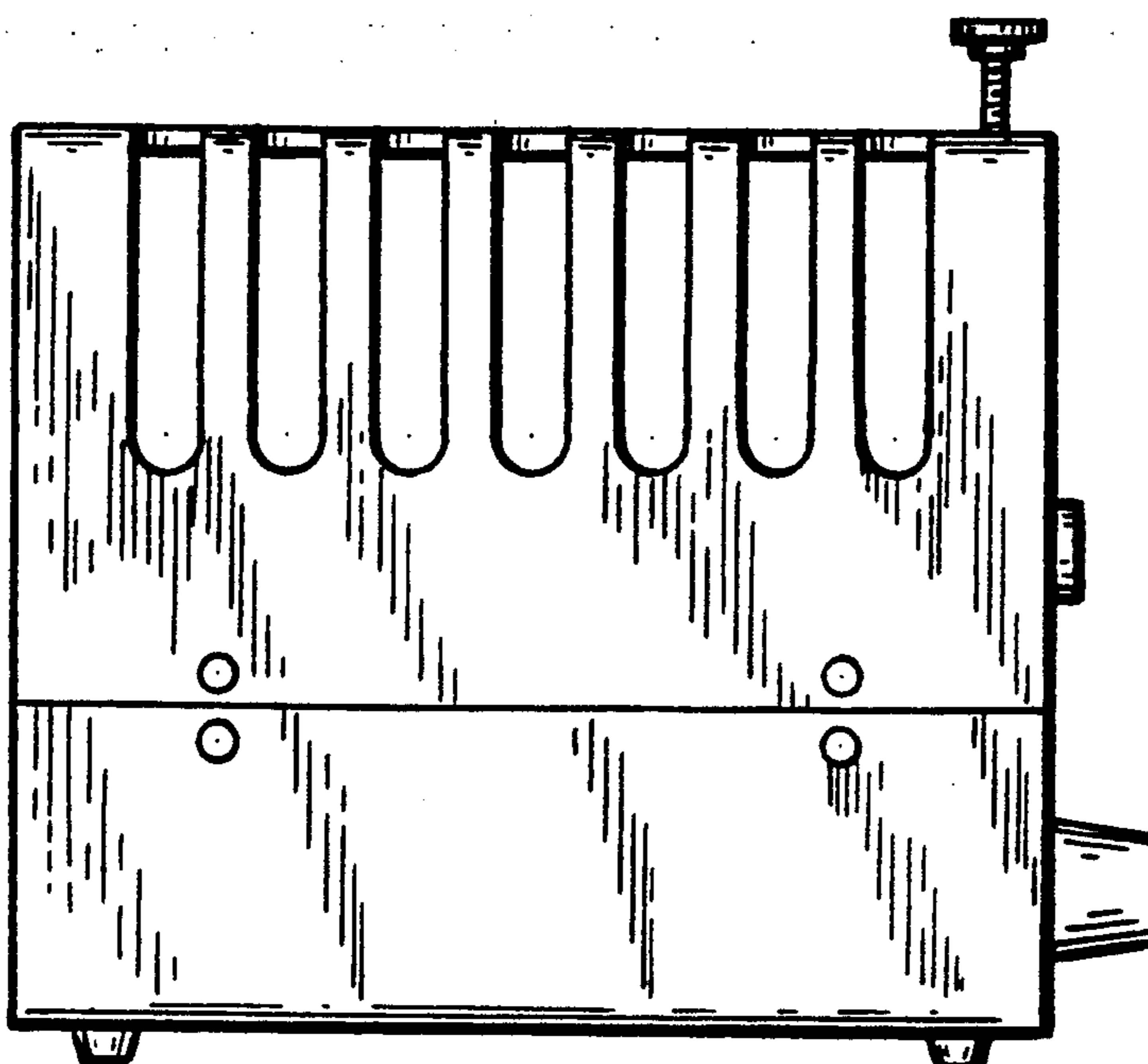


FIG. 3

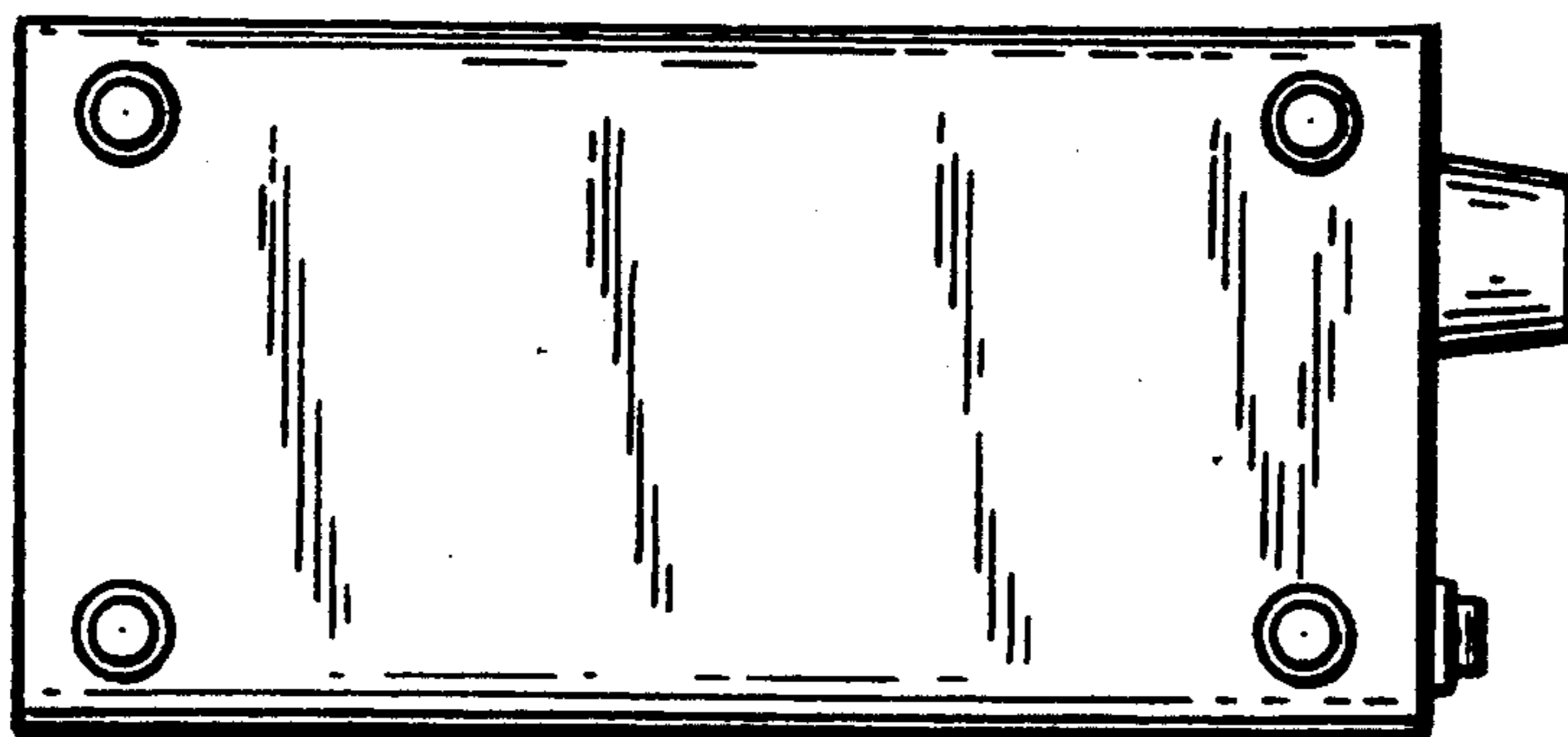


FIG. 6